



US00D810526S

(12) **United States Design Patent**
Dougherty

(10) **Patent No.:** **US D810,526 S**
(45) **Date of Patent:** **** Feb. 20, 2018**

(54) **LAWN TRIMMER WHEEL ATTACHMENT FRAME**

(71) Applicant: **Ronald Dougherty**, Columbia, TN (US)

(72) Inventor: **Ronald Dougherty**, Columbia, TN (US)

(**) Term: **15 Years**

(21) Appl. No.: **29/553,679**

(22) Filed: **Feb. 3, 2016**

(51) **LOC (11) Cl.** **08-01**

(52) **U.S. Cl.**
USPC **D8/8**; D8/71; D8/349; D15/17

(58) **Field of Classification Search**
USPC D8/1, 7, 8, 9, 71, 349, 382, 499; D15/1, D15/17
CPC A01D 34/412; A01D 34/416; A01D 34/01; A01D 34/015; A01D 34/4161; A01D 34/4165; A01D 34/4166; A01D 34/4167; A01D 34/84; A01D 2101/00; A01G 3/00; A01G 3/053; B25F 5/02; Y10T 83/9324
See application file for complete search history.

(56) **References Cited**

U.S. PATENT DOCUMENTS

356,583 A	1/1887	Goodwin	
1,753,558 A *	4/1930	Edwards	A01D 34/62 16/DIG. 38
3,106,251 A *	10/1963	Lucas	A01D 34/84 172/16
3,126,968 A *	3/1964	Booth	A01D 34/84 172/16
D285,079 S *	8/1986	Huthmacher	D15/14
4,922,694 A *	5/1990	Emoto	A01D 34/001 172/17
D356,583 S *	3/1995	Cordova	D15/17
D357,690 S *	4/1995	Gobel	D15/14

5,450,715 A	9/1995	Murray	
5,586,778 A *	12/1996	Lindh	B62B 1/047 280/40
5,626,006 A *	5/1997	Fricke, Sr.	A01D 34/001 30/276
D383,281 S *	9/1997	Furry	D15/17
5,836,142 A *	11/1998	Maxwell	A01D 34/001 30/276
5,884,462 A *	3/1999	Gerber	A01D 34/001 56/12.1
6,085,503 A	7/2000	Hutchinson	
6,504,349 B2	1/2003	Jaworski	
6,895,735 B2	5/2005	Gallentine	
D528,567 S	9/2006	Longo	
7,128,164 B1 *	10/2006	Boland	A01D 34/84 172/15
7,360,350 B1	4/2008	Smith, Jr.	
7,803,098 B2 *	9/2010	Cofrin	A63B 21/0618 16/437

(Continued)

Primary Examiner — Sandra Snapp
Assistant Examiner — Ieisha Price

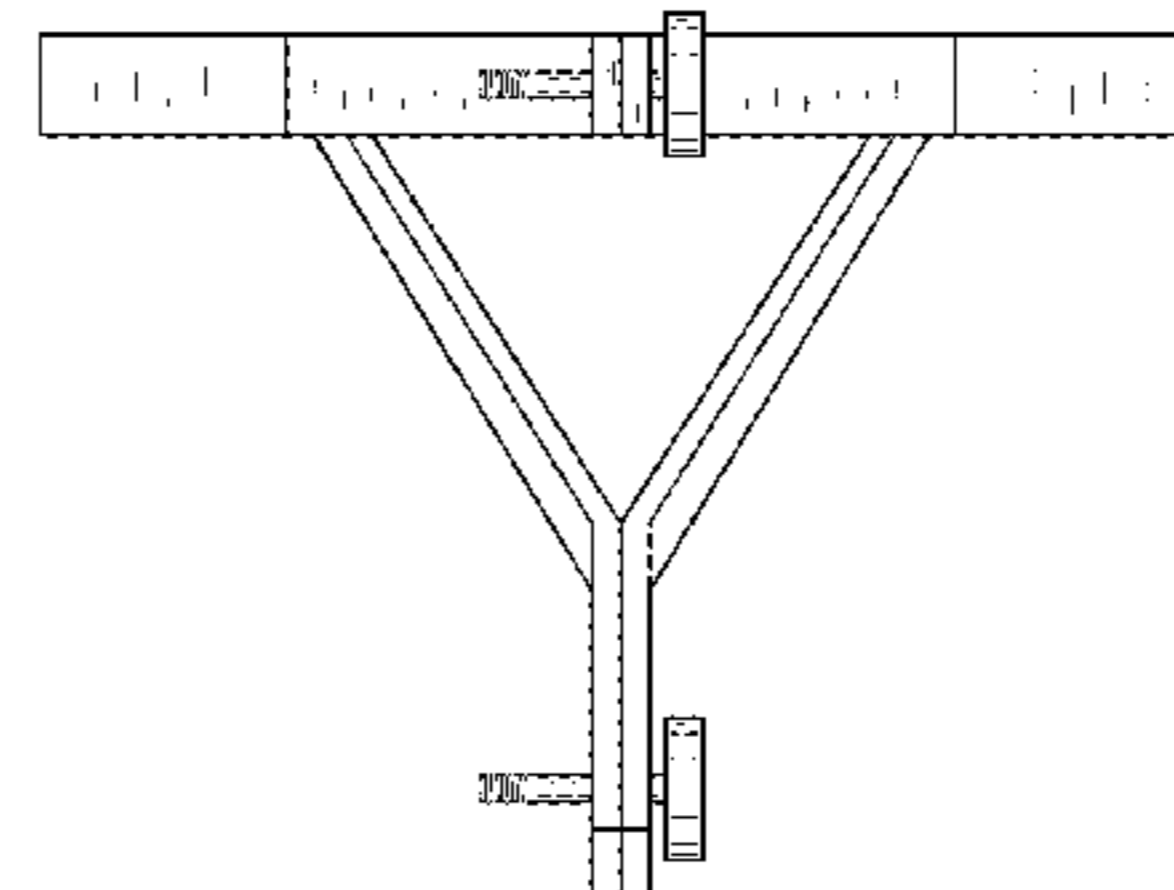
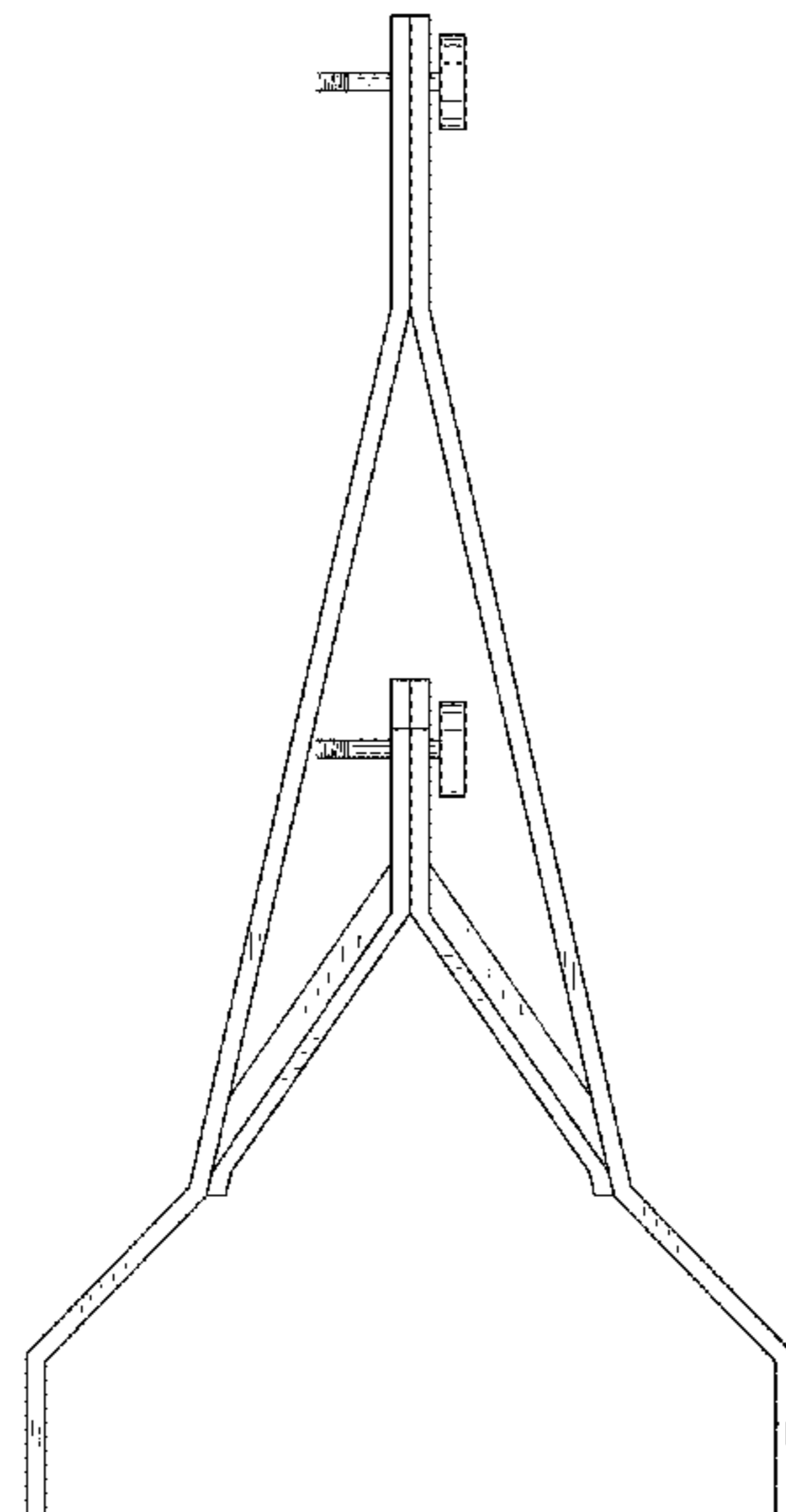
(57) **CLAIM**

The ornamental design for a lawn trimmer wheel attachment frame, as shown and described.

DESCRIPTION

FIG. 1 is a front view of a lawn trimmer wheel attachment frame showing my new design;
FIG. 2 is a rear view of the lawn trimmer wheel attachment frame;
FIG. 3 is a left side view of the lawn trimmer wheel attachment frame;
FIG. 4 is a right side view of the lawn trimmer wheel attachment frame;
FIG. 5 is a top view of the lawn trimmer wheel attachment frame; and,
FIG. 6 is a bottom view of the lawn trimmer wheel attachment frame.

1 Claim, 4 Drawing Sheets



(56)

References Cited

U.S. PATENT DOCUMENTS

7,823,370 B1 11/2010 Wiebe et al.

* cited by examiner

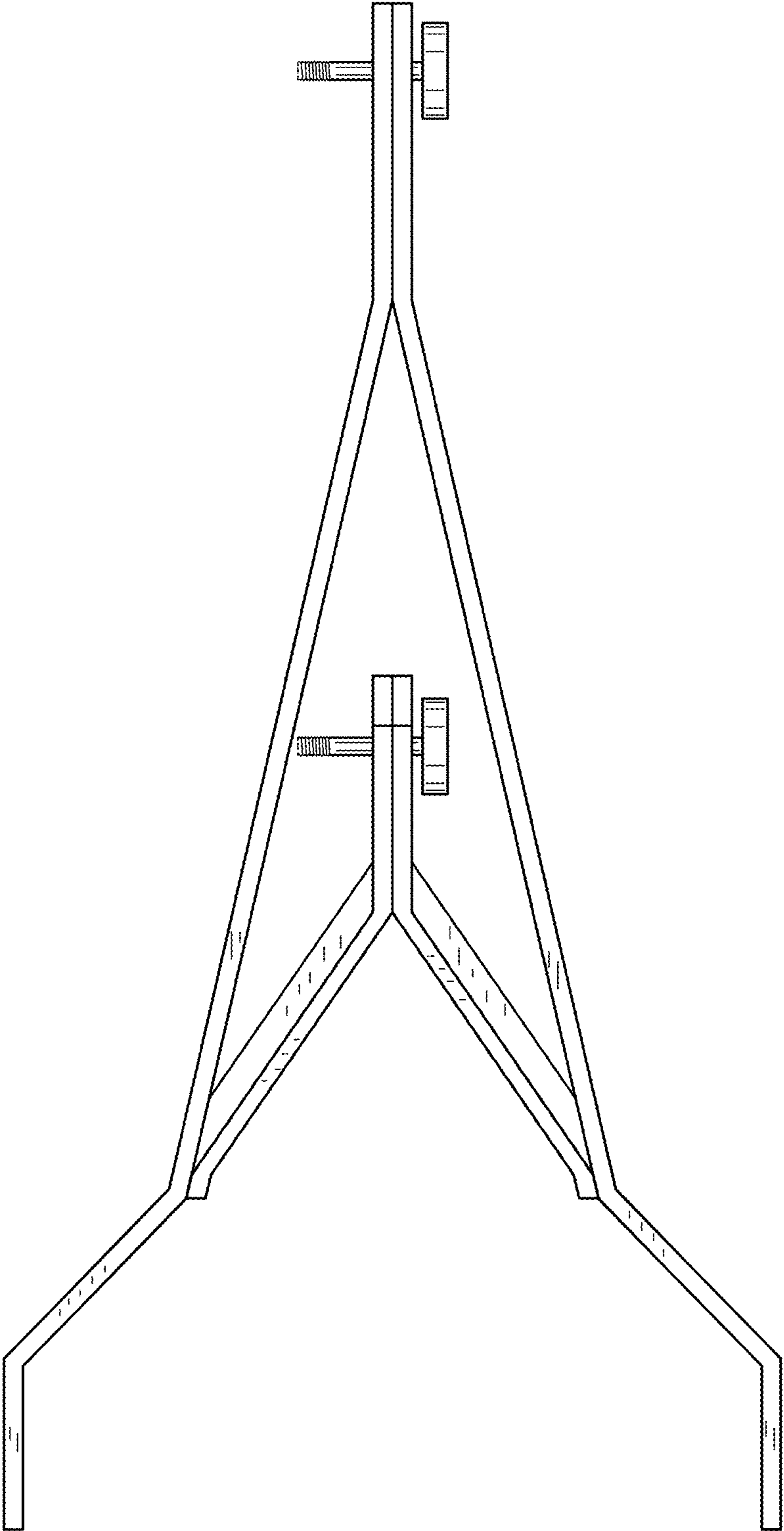


FIG. 1

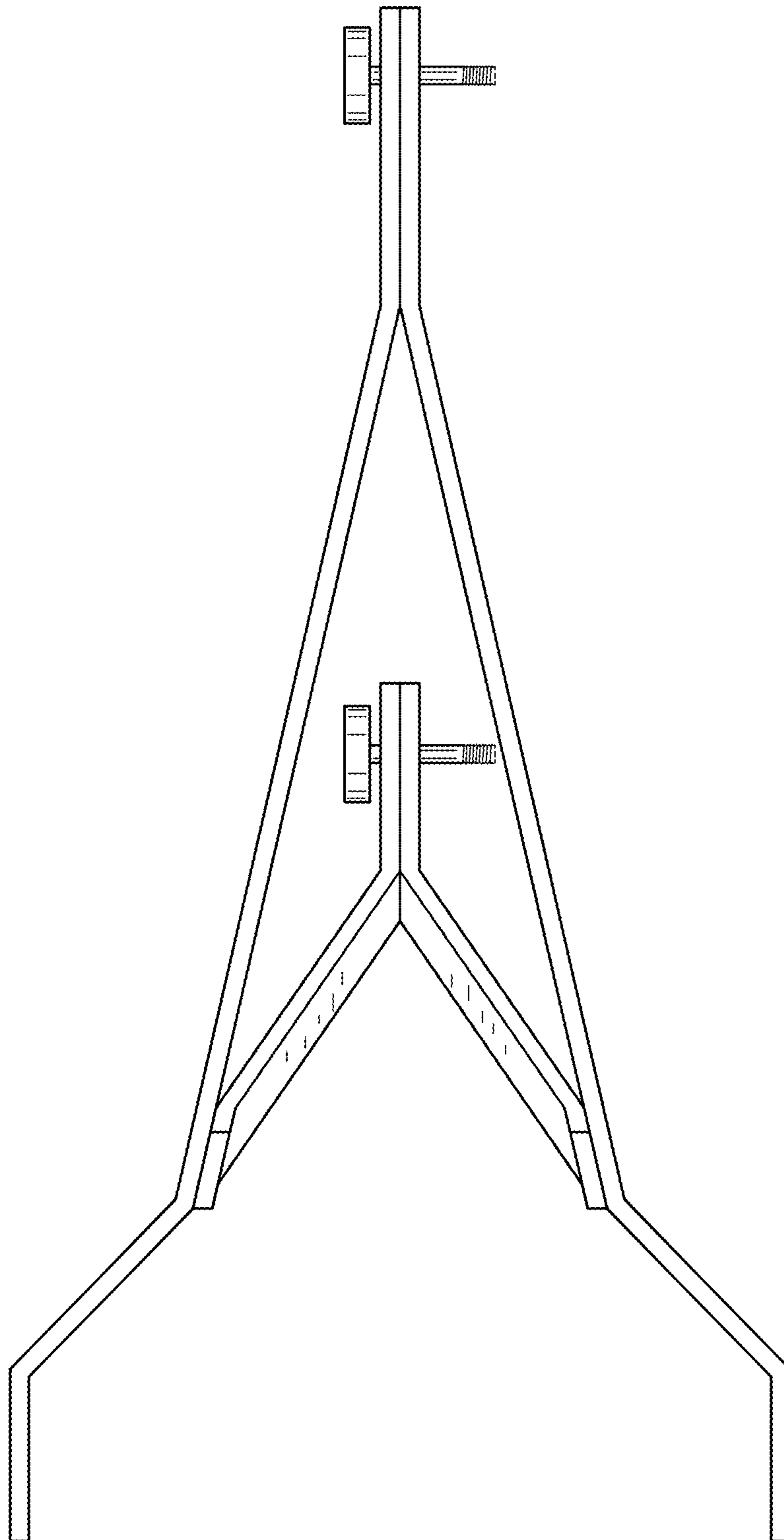


FIG. 2

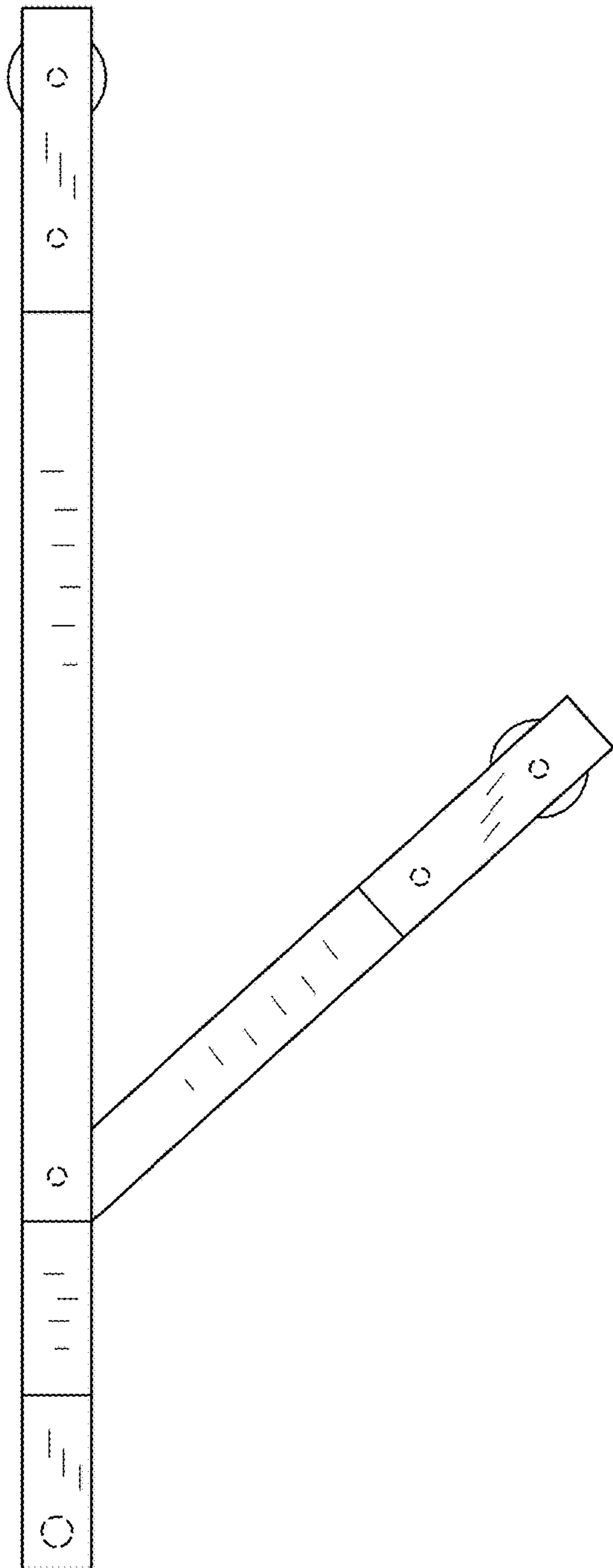


FIG. 3

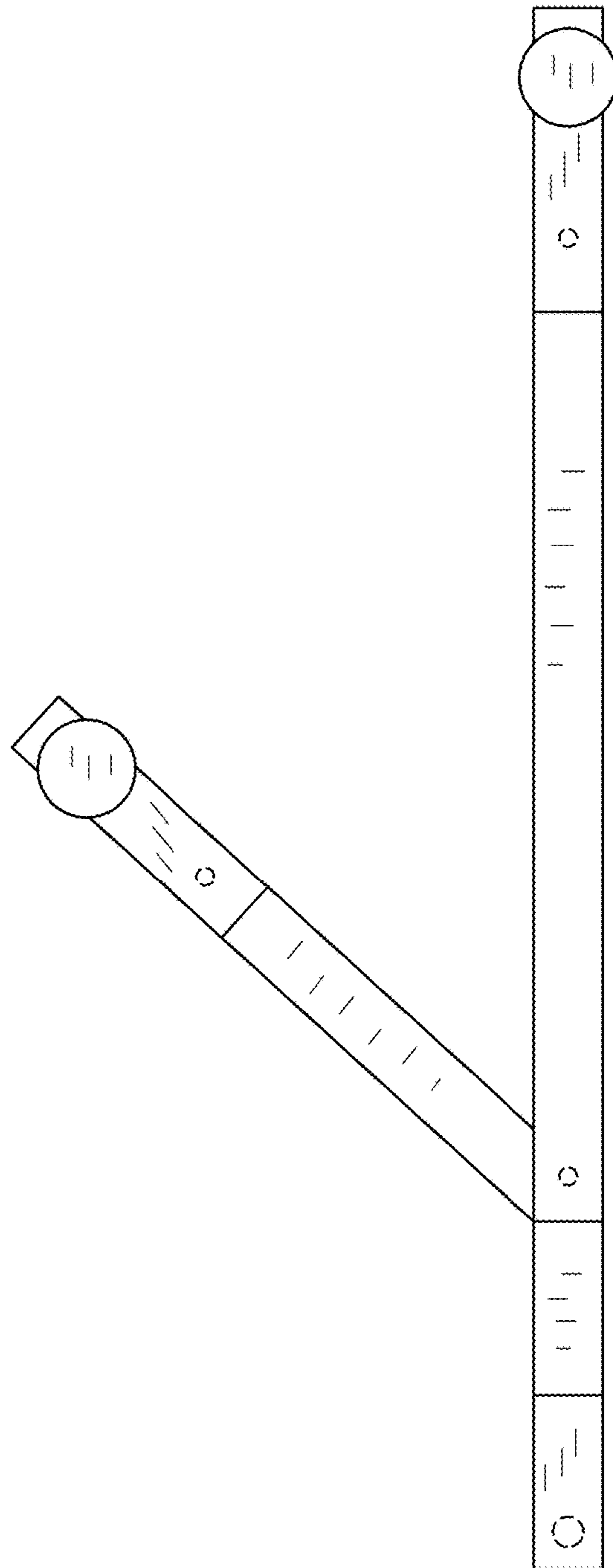


FIG. 4

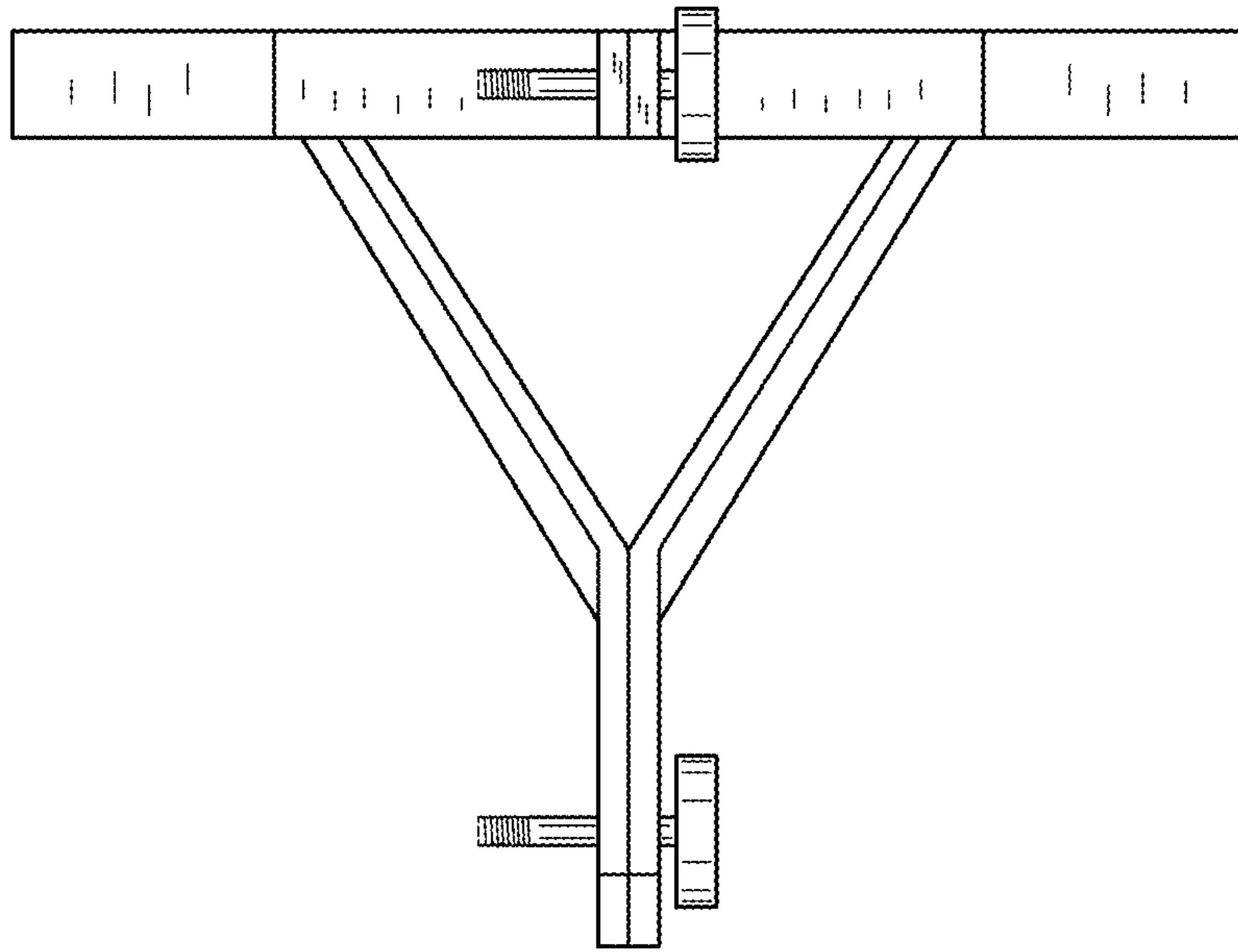


FIG. 5

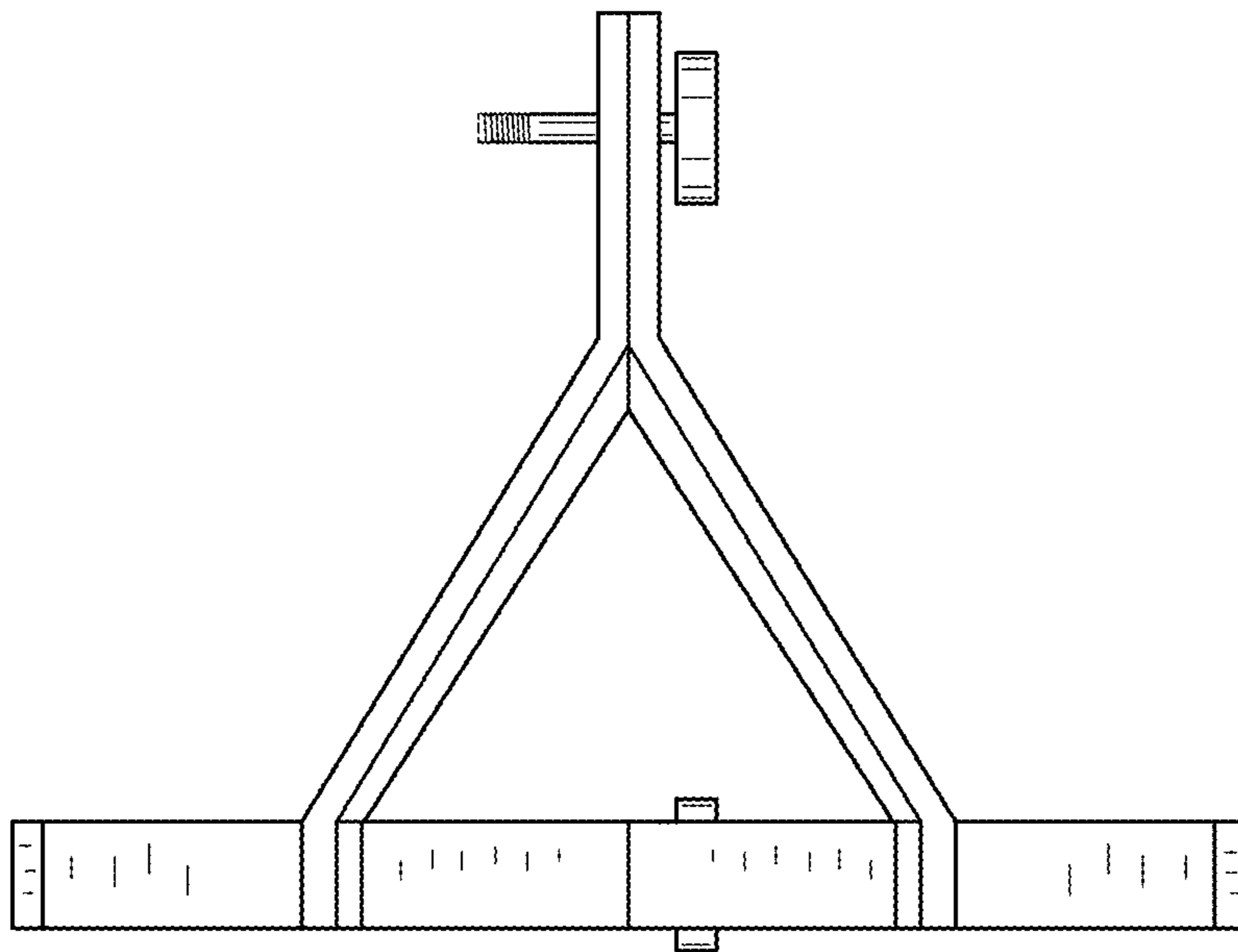


FIG. 6