

US00D810525S

(12) **United States Design Patent** (10) **Patent No.:** **US D810,525 S**  
**Lyytikäinen** (45) **Date of Patent:** **\*\* Feb. 20, 2018**

(54) **SHEARS**

(71) Applicant: **Fiskars Finland Oy Ab**, Helsinki (FI)  
(72) Inventor: **Sami Lyytikäinen**, Helsinki (FI)  
(73) Assignee: **Fiskars Finland Oy Ab**, Helsinki (FI)  
(\*\*) Term: **15 Years**

(21) Appl. No.: **29/575,955**  
(22) Filed: **Aug. 30, 2016**

(30) **Foreign Application Priority Data**

Mar. 14, 2016 (EM) ..... 003027788

(51) **LOC (11) Cl.** ..... **08-01**

(52) **U.S. Cl.**  
USPC ..... **D8/5**

(58) **Field of Classification Search**  
USPC ..... D8/1, 4, 5, 51, 52, 53, 54, 55, 56, 58,  
D8/105, 107  
CPC ..... B26B 13/00; B26B 13/06; B26B 13/08;  
B26B 13/12; B26B 13/14; B26B 13/16;  
B26B 13/20; B26B 13/26; B26B 13/28;  
B26B 17/00; A01G 3/00; A01G 3/02;  
A01G 3/021; A01G 3/025; A01G 3/0251;  
A01G 3/0475

See application file for complete search history.

(56) **References Cited**

**U.S. PATENT DOCUMENTS**

3,187,430 A 6/1965 Wallace et al.  
D206,483 S 12/1966 Sharp  
D344,220 S 2/1994 Wensley et al.  
D354,205 S 1/1995 Wensley et al.  
D393,401 S \* 4/1998 Clivio ..... D8/5  
D434,286 S \* 11/2000 Lin ..... D8/5  
6,493,943 B1 12/2002 Linden  
D483,235 S 12/2003 Deville

(Continued)

**OTHER PUBLICATIONS**

U.S. Appl. No. 29/424,457, filed Jun. 12, 2012, Masalin et al.  
U.S. Appl. No. 29/456,730, filed Jun. 3, 2013, Fiskars Brands  
Finland Oy Ab.

*Primary Examiner* — Sandra Snapp  
*Assistant Examiner* — Ieisha Price

(74) *Attorney, Agent, or Firm* — Foley & Lardner LLP

(57) **CLAIM**

I claim the ornamental design for shears, as shown and described.

**DESCRIPTION**

The patent or application file contains at least one drawing executed in color. Copies of this patent or patent application publication with color drawing(s) will be provided by the Office upon request and payment of the necessary fee.

FIG. 1 is a front view of an embodiment of the claimed design;

FIG. 2 is a rear view thereof;

FIG. 3 is a right side elevation view thereof;

FIG. 4 is a left side elevation view thereof;

FIG. 5 is a front perspective view thereof;

FIG. 6 is a top view thereof;

FIG. 7 is a bottom view thereof;

FIG. 8 is a front view of another embodiment of the claimed design;

FIG. 9 is a rear view thereof;

FIG. 10 is a right side elevation view thereof;

FIG. 11 is a left side elevation view thereof;

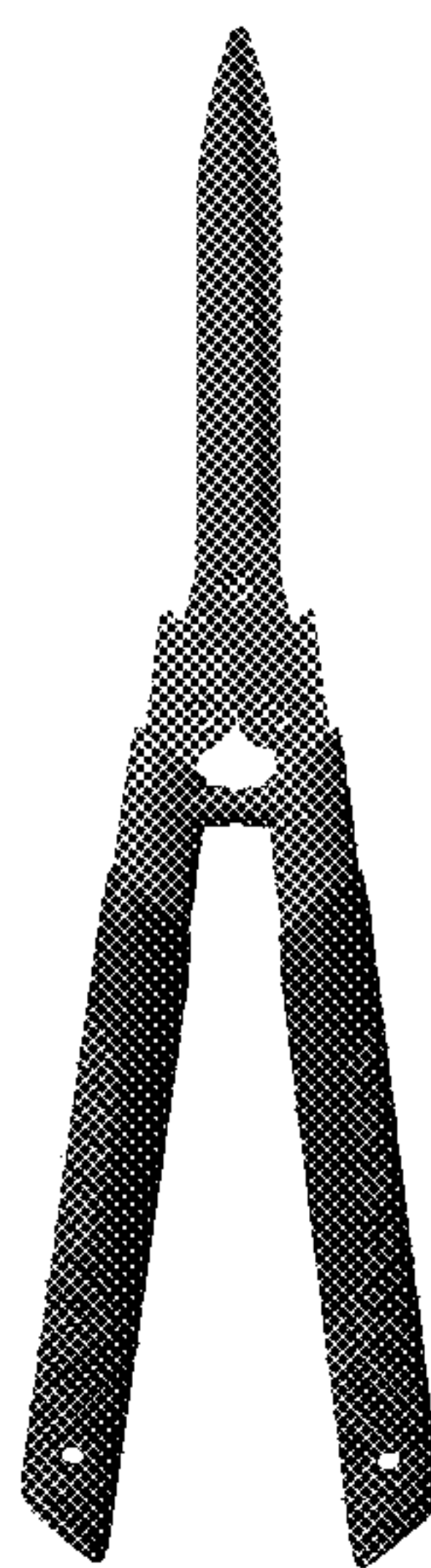
FIG. 12 is a front perspective view thereof;

FIG. 13 is a top view thereof; and,

FIG. 14 is a bottom view thereof.

Any portion of the article depicted in broken lines forms no part of the claimed design. Broken lines formed by equal length dashes show unclaimed subject matter.

**1 Claim, 14 Drawing Sheets**  
**(7 of 14 Drawing Sheet(s) Filed in Color)**



(56)

**References Cited**

U.S. PATENT DOCUMENTS

6,789,324	B2	9/2004	Linden et al.	
D622,112	S	8/2010	Goetz et al.	
8,136,252	B2	3/2012	Linden et al.	
D671,809	S	12/2012	Huang	
D679,559	S *	4/2013	Masalin .....	D8/5
D715,114	S *	10/2014	Lyytikainen .....	D8/5
D715,607	S *	10/2014	Lyytikainen .....	D8/5
D717,133	S *	11/2014	Lyytikainen .....	D8/5
D717,134	S *	11/2014	Lyytikainen .....	D8/5
D722,479	S *	2/2015	Lyytikainen .....	D8/5
D741,669	S *	10/2015	Lyytikainen .....	D8/1
D764,882	S *	8/2016	Lyytikainen .....	D8/5
2002/0073557	A1 *	6/2002	Huang .....	F16B 7/105 30/341

\* cited by examiner

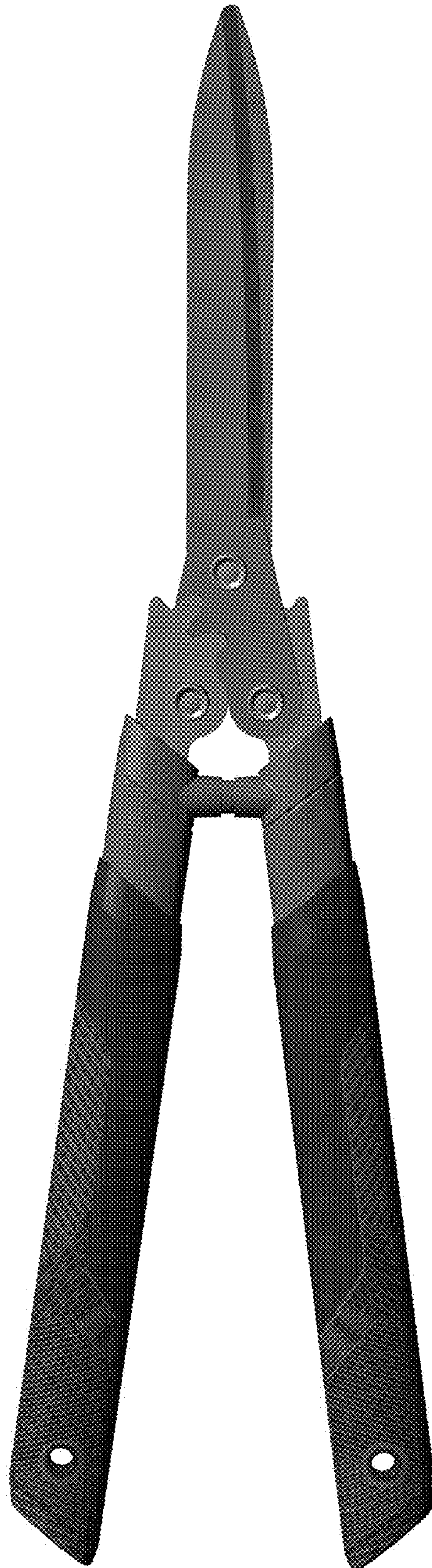


FIG. 1



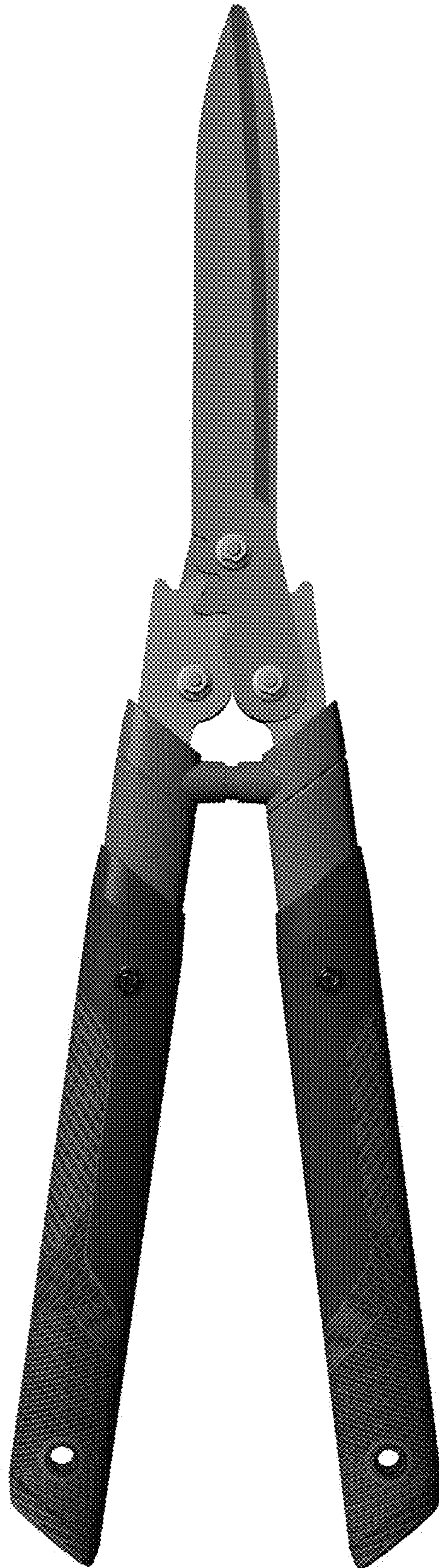


FIG. 2

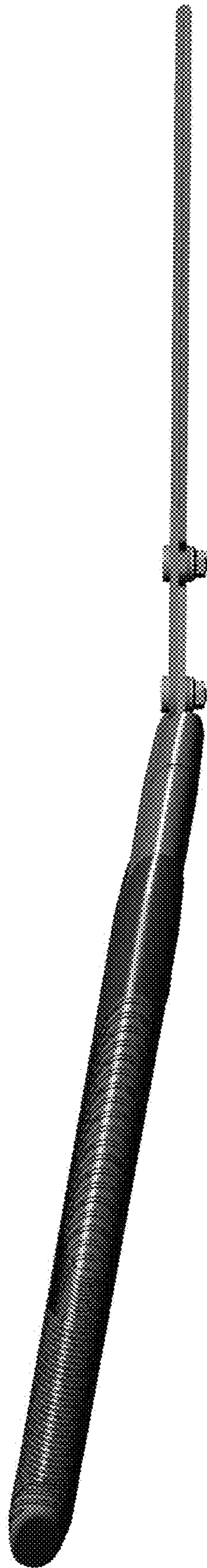


FIG. 3

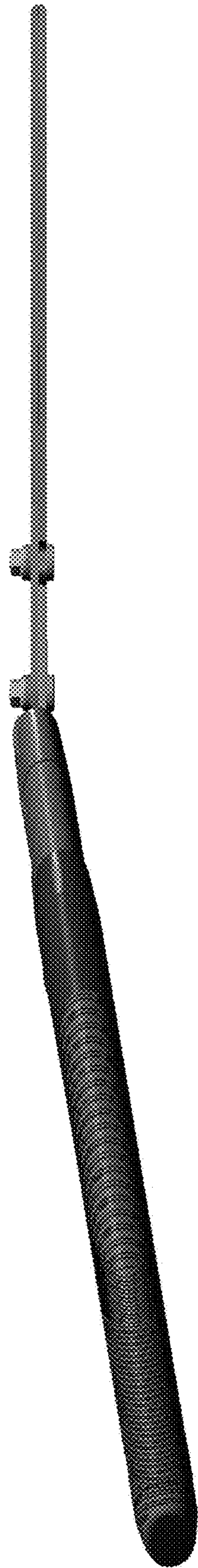


FIG. 4





FIG. 5

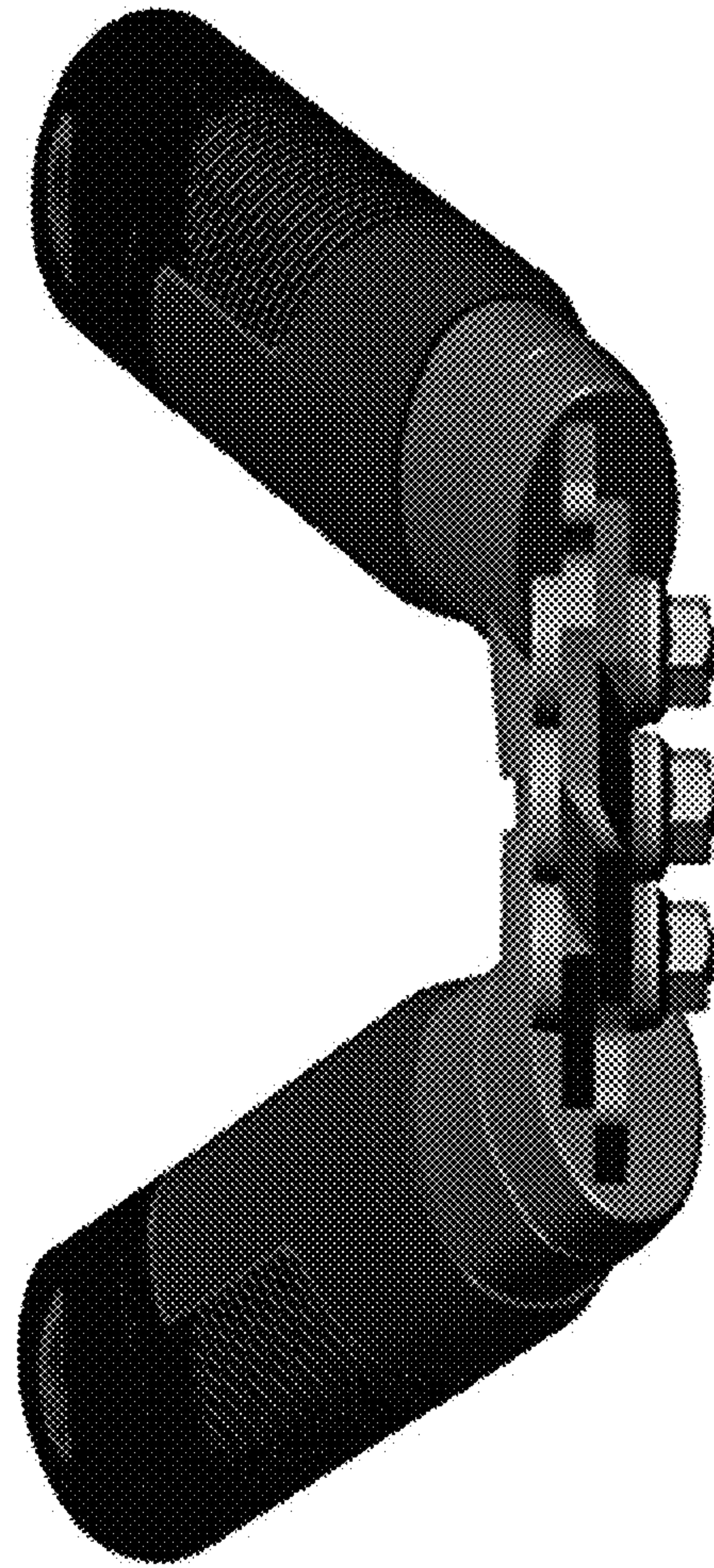
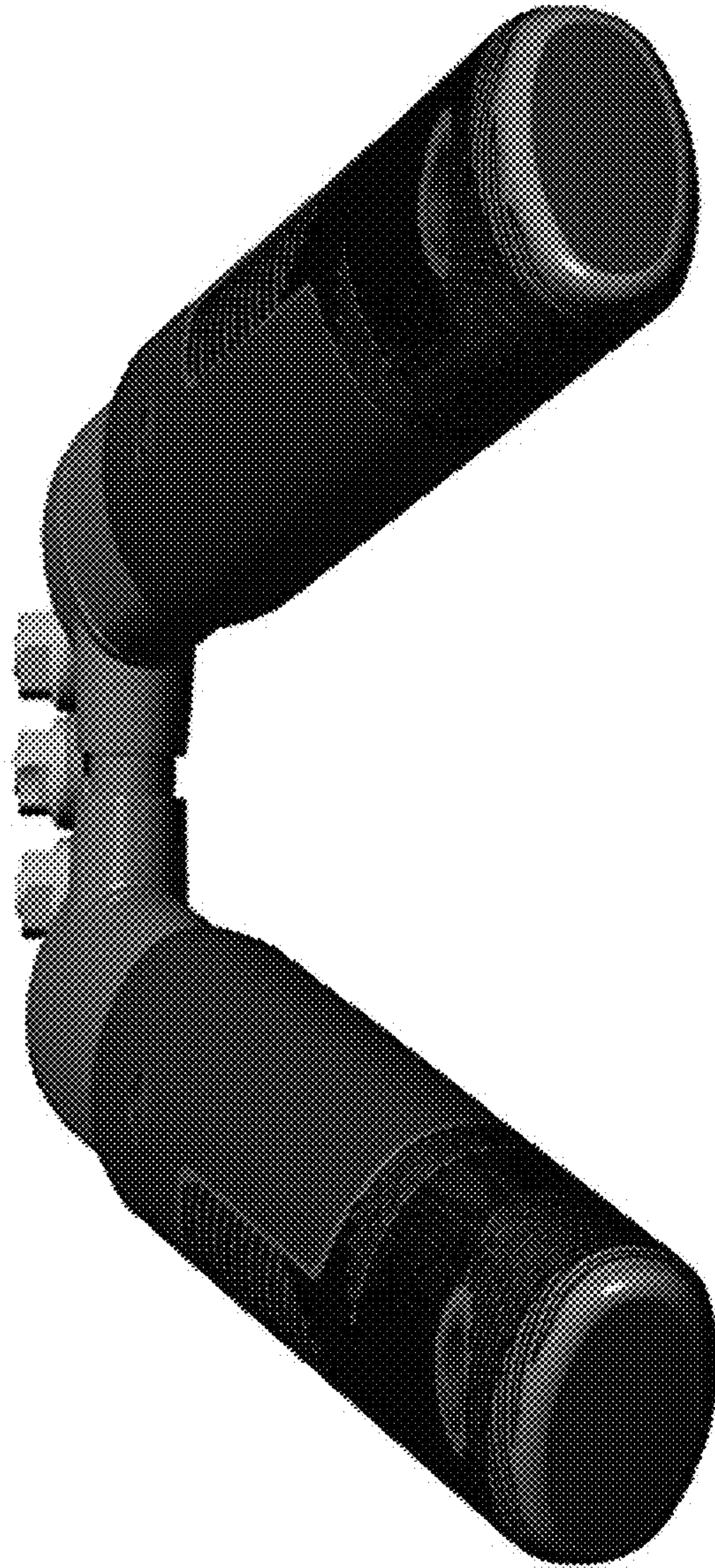


FIG. 6





**FIG. 7**

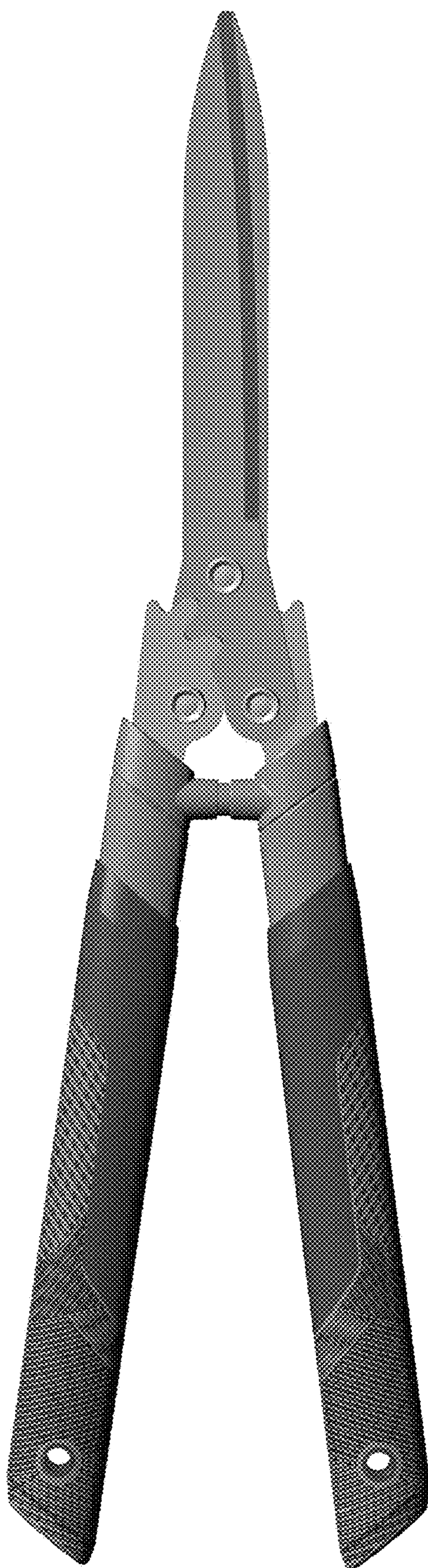
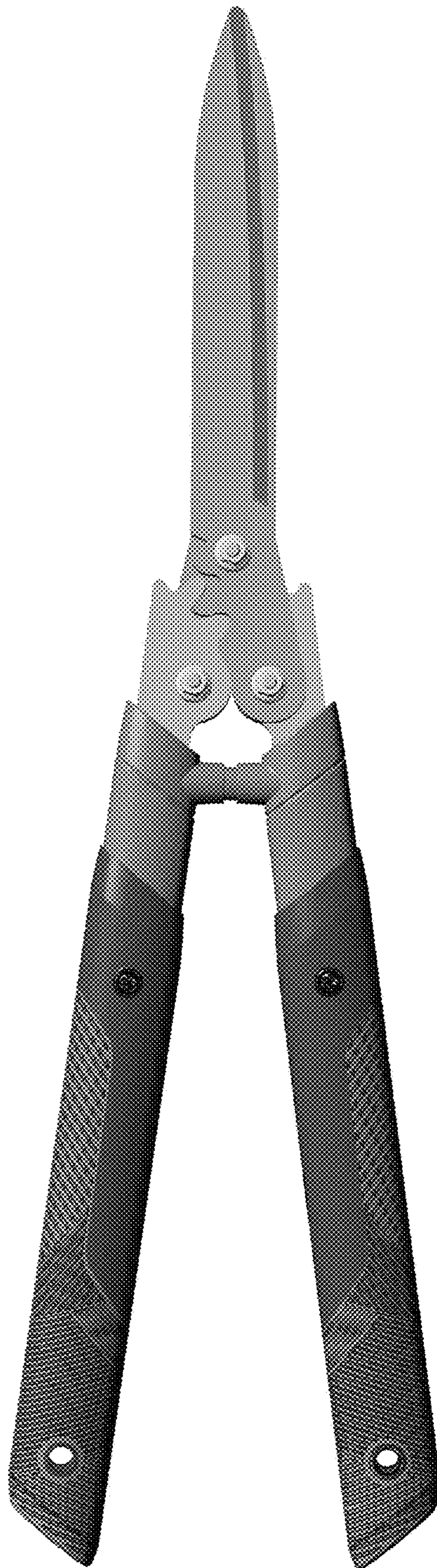


FIG. 8





**FIG. 9**



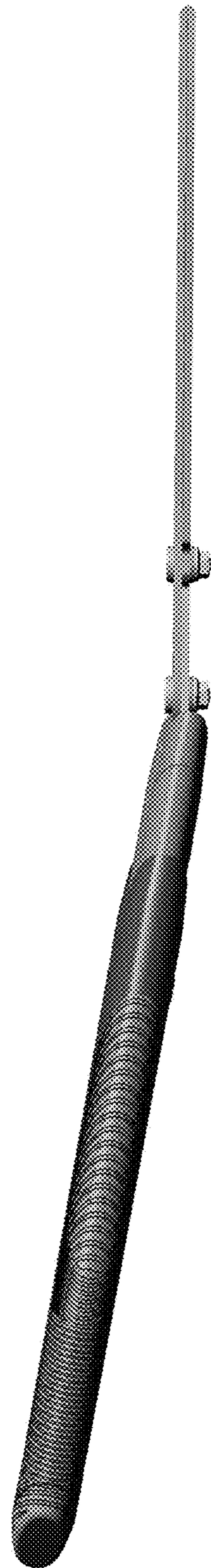


FIG. 10

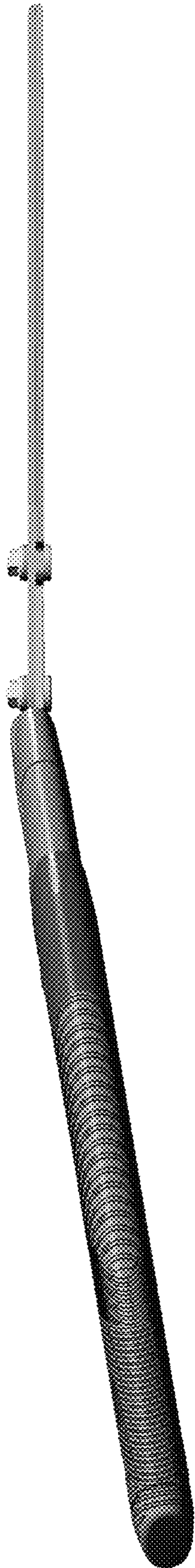


FIG. 11



FIG. 12



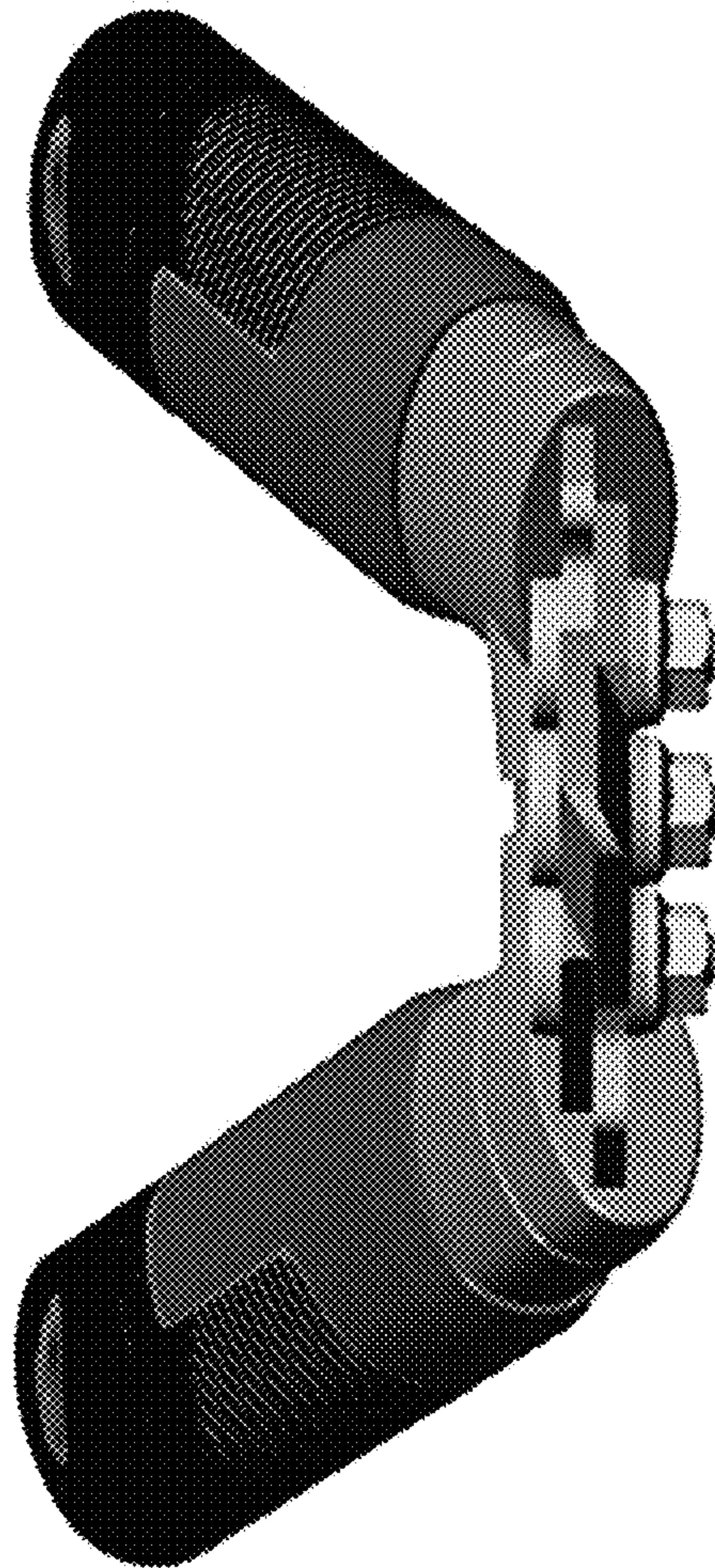


FIG. 13

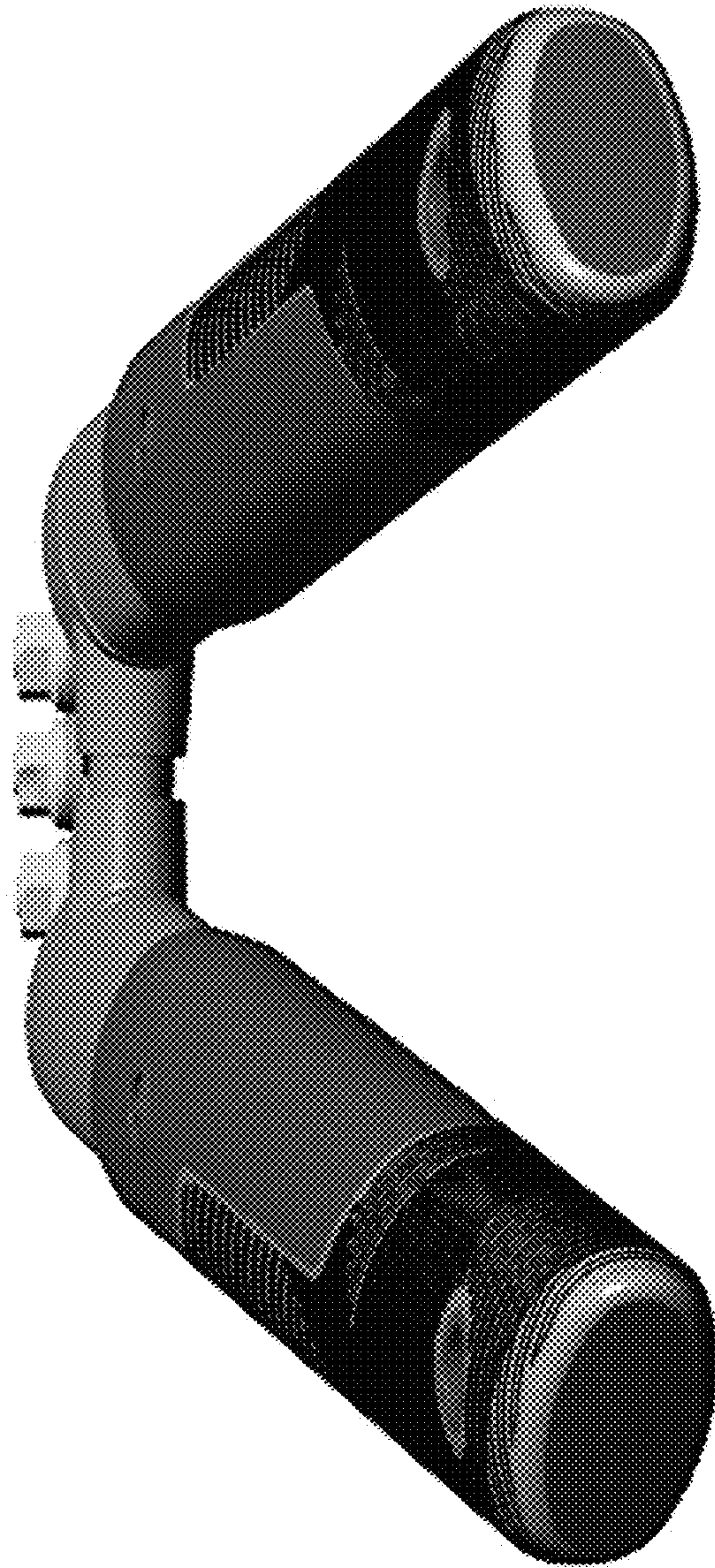


FIG. 14