



US00D810520S

(12) **United States Design Patent**
Winn

(10) **Patent No.:** **US D810,520 S**

(45) **Date of Patent:** **** Feb. 20, 2018**

- (54) **MELON SLICER SET**
- (71) Applicant: **Kenneth Winn**, Georgetown, DE (US)
- (72) Inventor: **Kenneth Winn**, Georgetown, DE (US)
- (**) Term: **15 Years**
- (21) Appl. No.: **29/562,321**
- (22) Filed: **Apr. 25, 2016**
- (51) **LOC (11) Cl.** **07-04**
- (52) **U.S. Cl.**
USPC **D7/673; D7/650**
- (58) **Field of Classification Search**
USPC D7/672-679, 693-696, 412, 381-385,
D7/408-410, 649-650; 83/856; 99/537;
426/496, 503
CPC B26D 3/283; B26D 3/26; B26D 3/185;
B26D 3/03; B26D 3/11; B26D 1/553;
B26D 29/063; B26D 2003/285-2003/288;
B26D 7/00; B26D 7/01; B26D 2210/02;
A47J 25/00; A47J 43/25; A21C 15/04
See application file for complete search history.

- 7,249,550 B1 * 7/2007 Thune, Jr. B26D 1/553
30/114
- 7,340,835 B2 * 3/2008 Howman A21C 15/04
30/114
- D573,418 S * 7/2008 Ho D7/673
- 7,455,005 B2 11/2008 Giessler
- D635,409 S * 4/2011 Coffey D7/674
- D642,873 S * 8/2011 Spiegel D7/649
- D662,790 S * 7/2012 Rugprayoon D7/674
- 8,241,688 B2 8/2012 Aguirre
- D756,174 S * 5/2016 Hueser D7/673
- D779,289 S * 2/2017 Midha D7/649
- 2007/0022611 A1 * 2/2007 Verbiest B26D 3/185
30/114
- 2012/0297991 A1 * 11/2012 Hueser B26D 1/553
99/547

* cited by examiner

Primary Examiner — Susan Bennett Hattan
Assistant Examiner — Brett Miller

(57) **CLAIM**

The ornamental design for a melon slicer set, as shown and described.

(56) **References Cited**

U.S. PATENT DOCUMENTS

- 1,764,235 A 6/1930 Wilmking
- 2,018,806 A 10/1935 Richard
- 2,108,992 A 2/1938 Obenshain
- 2,613,714 A 10/1952 Miller
- 5,499,578 A * 3/1996 Payne B26B 29/063
30/114
- D375,661 S * 11/1996 Ross D7/673
- D389,380 S 1/1998 Liu et al.
- D410,366 S * 6/1999 Chiasson D7/673
- D510,507 S * 10/2005 Lo D7/673
- 7,065,880 B2 * 6/2006 Howman A21C 15/04
99/537
- D536,224 S * 2/2007 Berger D7/673

DESCRIPTION

FIG. 1 is a front view of a melon slicer set showing my new design, a rear view being a mirror image thereof; FIG. 2 is a left side view of the melon slicer set; FIG. 3 is a right side view of the melon slicer set; FIG. 4 is a top view of the melon slicer set; FIG. 5 is a bottom view of the melon slicer set; and, FIG. 6 is a top front side perspective view of the melon slicer set. The broken lines depict portions of the slicer set that form no part of the claim.

1 Claim, 5 Drawing Sheets

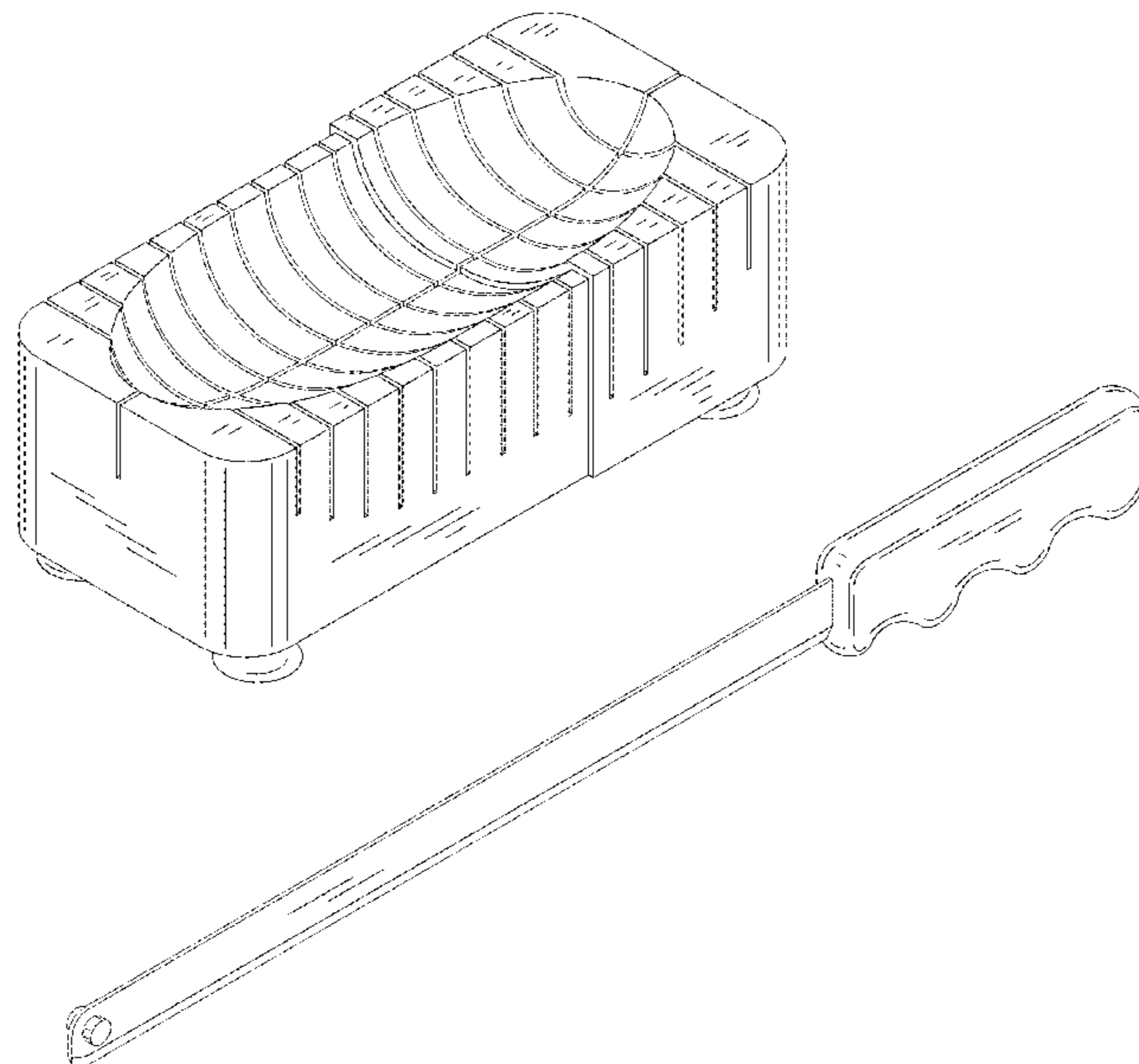
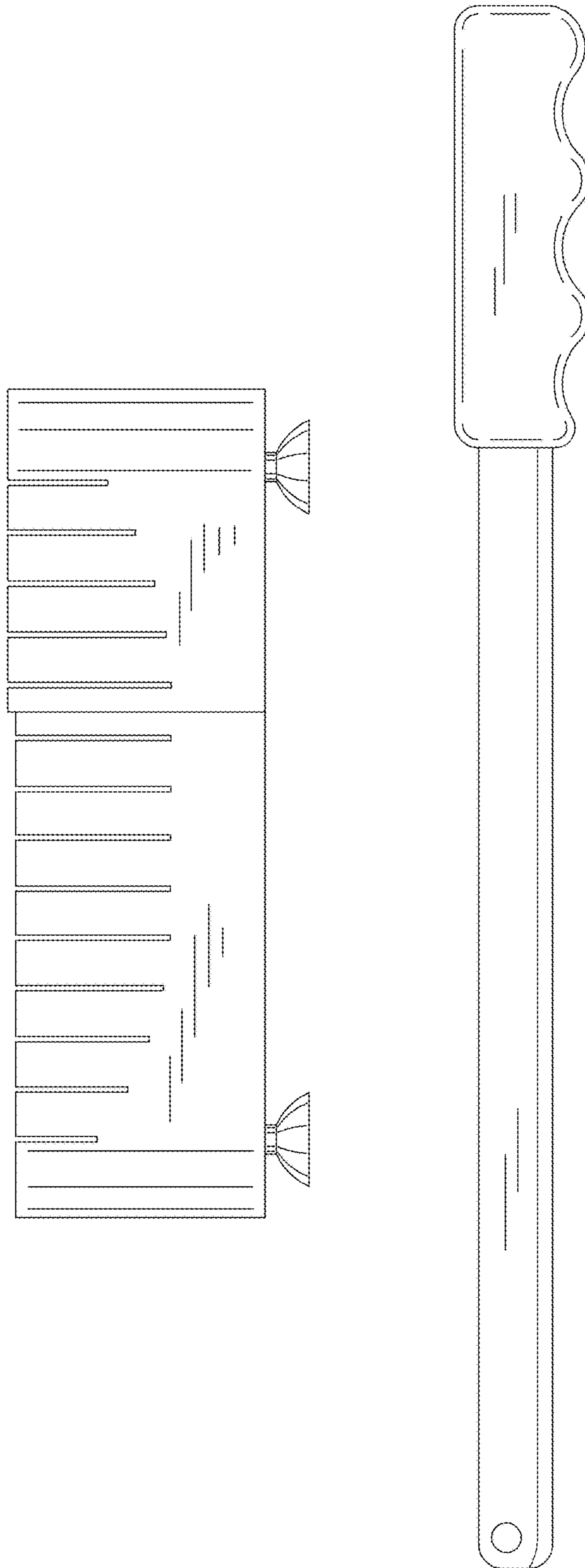


FIG. 1



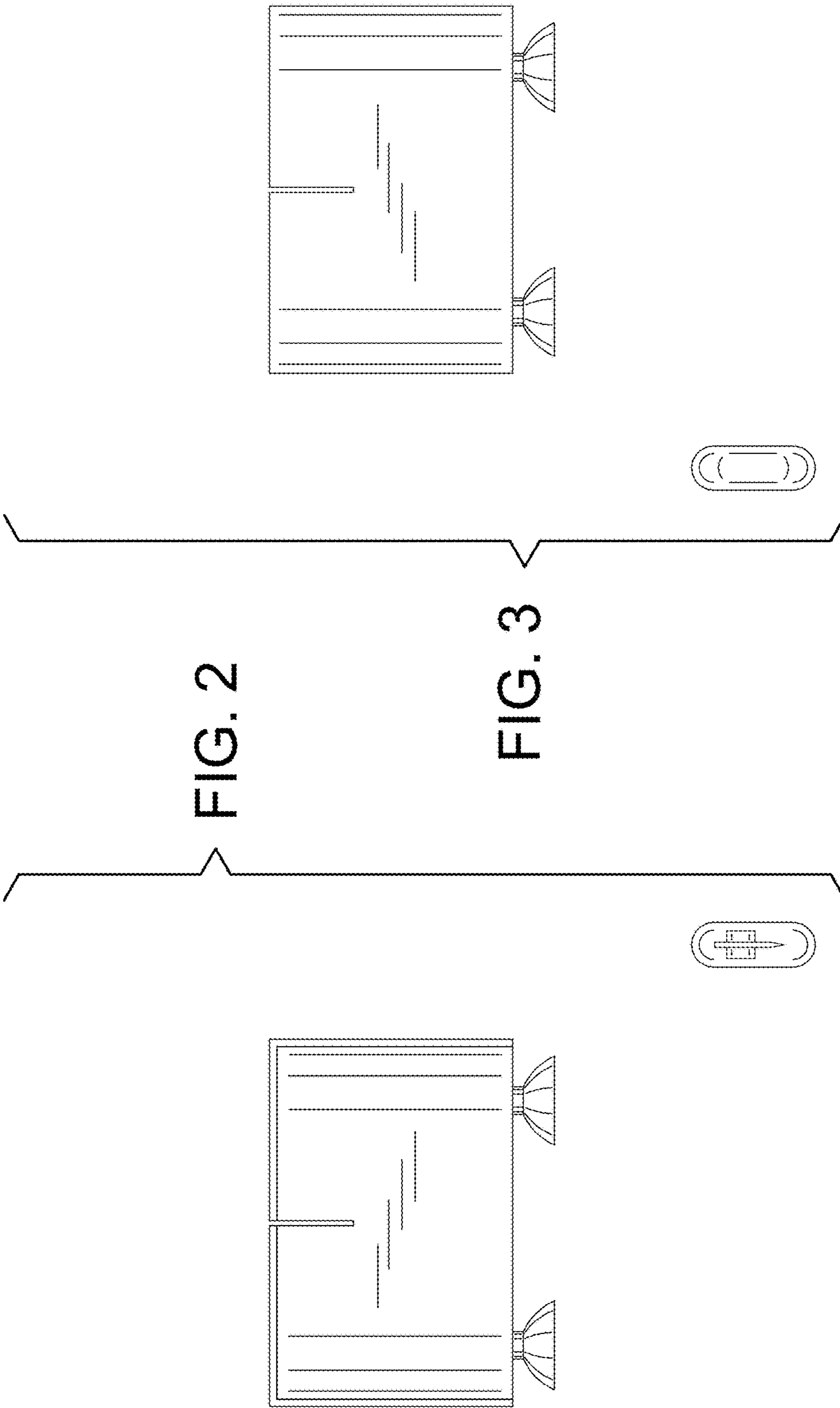
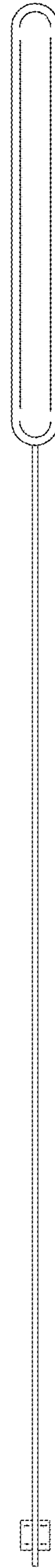
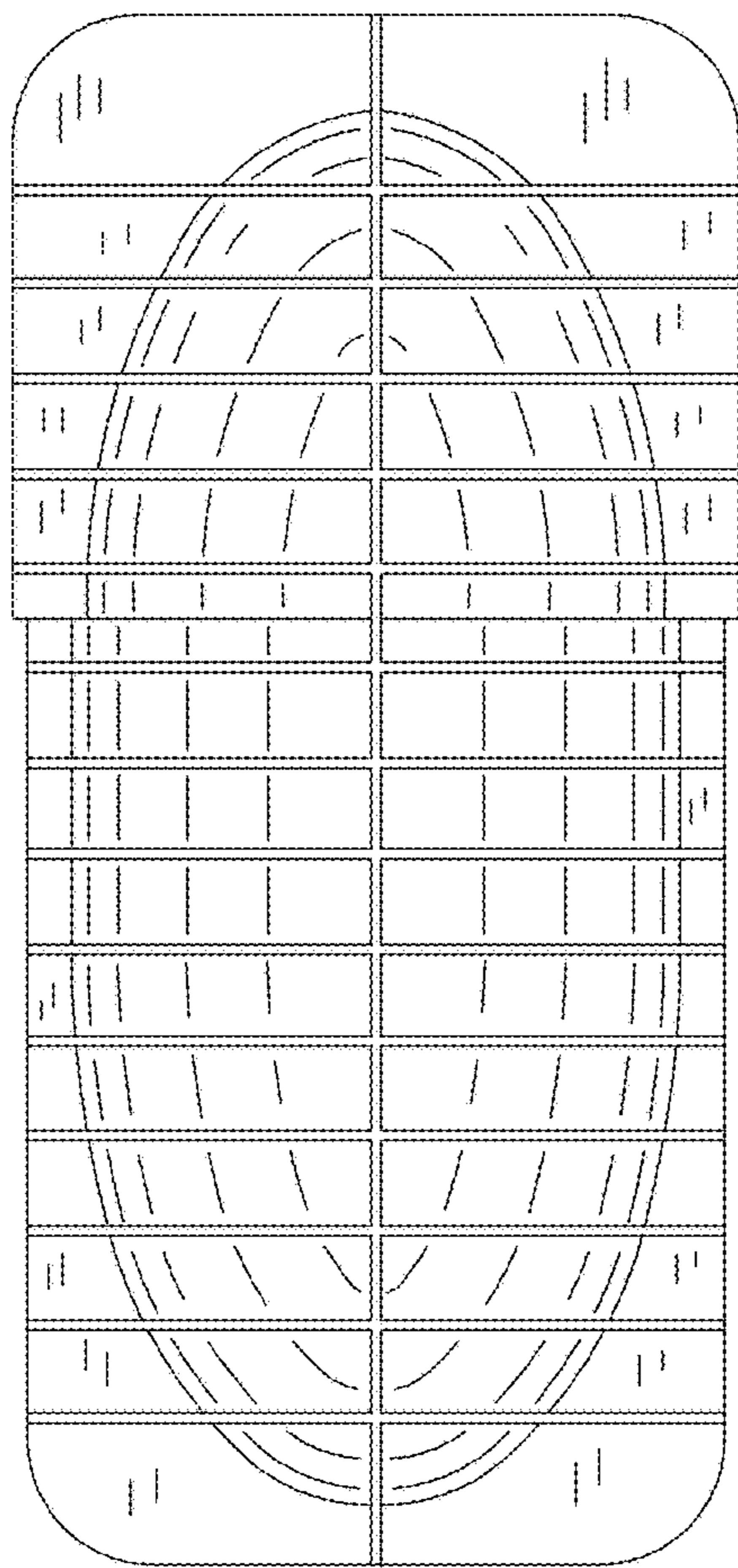


FIG. 4



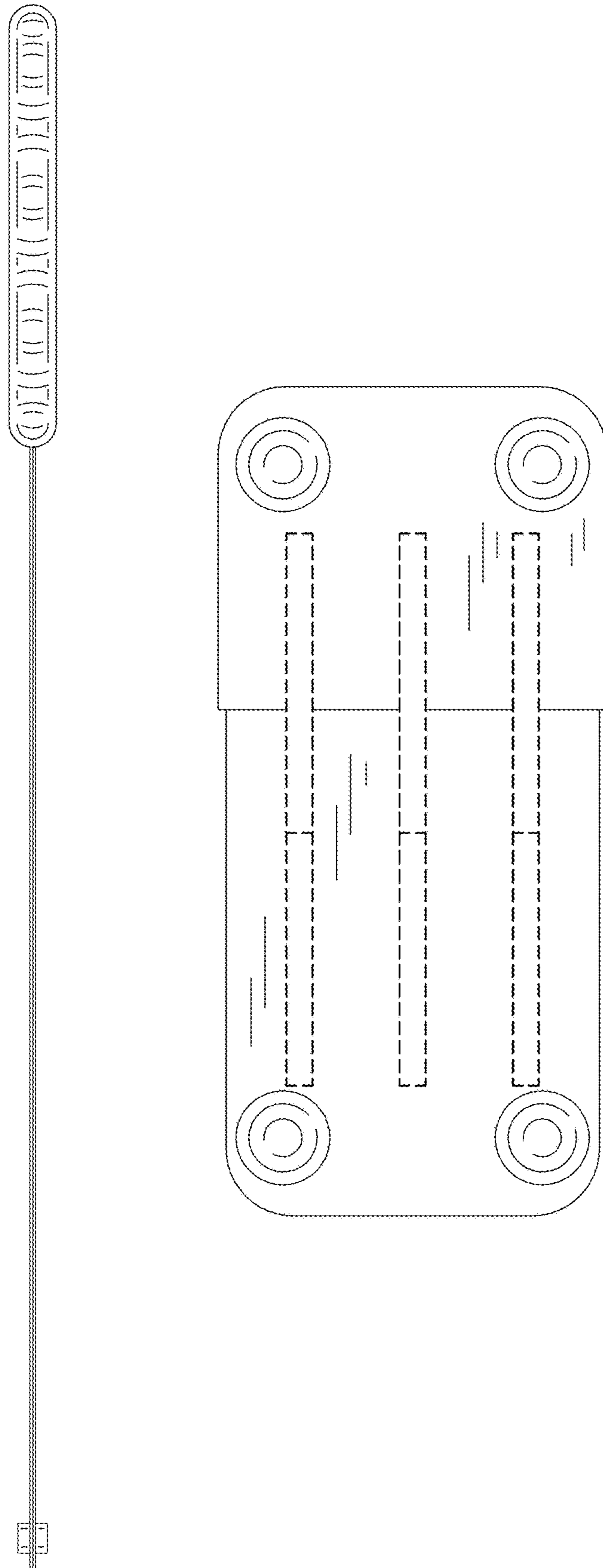


FIG. 5

FIG. 6

