



US00D810518S

(12) **United States Design Patent** (10) **Patent No.:** **US D810,518 S**  
**Miller** (45) **Date of Patent:** **\*\* Feb. 20, 2018**

(54) **COMBINED FISH CLEANER GRATE AND TRAY**

(71) Applicant: **Jeffrey Miller**, Sapulpa, OK (US)

(72) Inventor: **Jeffrey Miller**, Sapulpa, OK (US)

(\*\*) Term: **15 Years**

(21) Appl. No.: **29/620,353**

(22) Filed: **Oct. 26, 2016**

(51) **LOC (11) Cl.** ..... **07-04**

(52) **U.S. Cl.**  
USPC ..... **D7/667; D22/134**

(58) **Field of Classification Search**  
USPC ..... D7/368, 369, 387, 388, 396.1, 396.3,  
D7/400, 412, 500, 550.1, 667; D9/434,  
D9/435, 447, 455, 456, 499; D22/134,  
D22/149; D23/260, 261; D32/55, 56  
CPC ..... B65D 5/503  
See application file for complete search history.

(56) **References Cited**

**U.S. PATENT DOCUMENTS**

1,545,487	A *	7/1925	Croft	.....	B65D 5/503 206/459.5
D178,489	S *	8/1956	Bliss	.....	D32/56
D210,274	S *	2/1968	Wilson	.....	D3/304
D215,122	S *	9/1969	Satake	.....	241/168
D226,457	S *	3/1973	Wilson	.....	D3/304
D459,050	S *	6/2002	Meyer	.....	D34/38
D471,454	S *	3/2003	Boebel	.....	D9/435
D694,863	S *	12/2013	Brodey	.....	D23/261
D720,837	S *	1/2015	Bernoti	.....	D23/260
D742,483	S *	11/2015	Chapman	.....	D23/261
D759,792	S *	6/2016	Flury	.....	D23/261
D779,948	S *	2/2017	Hirose	.....	D9/456
D786,073	S *	5/2017	Hutcheson, Jr.	.....	D22/134
D789,789	S *	6/2017	Beavis	.....	D9/435
2016/0144998	A1 *	5/2016	Kretz	.....	B65D 5/503 206/565

**OTHER PUBLICATIONS**

Heatraesadia. Filtration. 2017 [earliest online date], [site visited Aug. 22, 2017]. Available from Internet, URL:https://www.heatraesadia.com/products/drinking-water/filtration.htm.\*

\* cited by examiner

*Primary Examiner* — Robert M. Spear  
*Assistant Examiner* — Darcey E Heflin

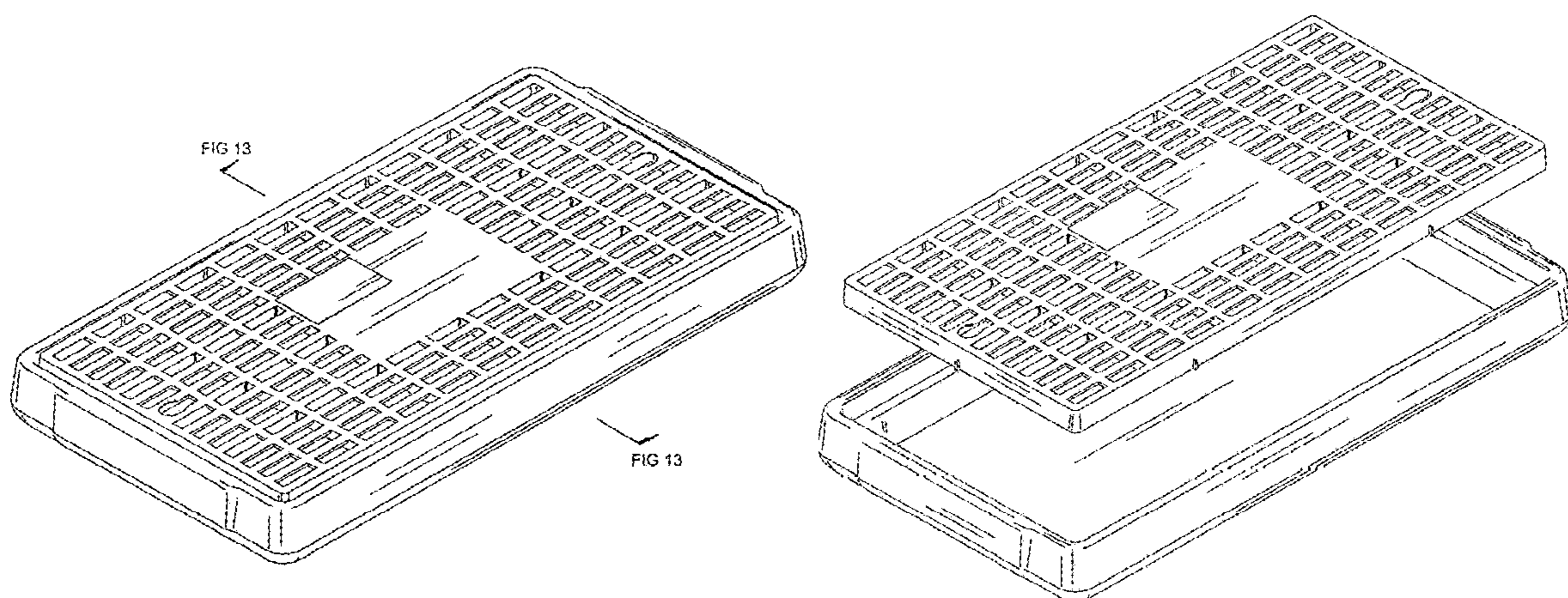
(57) **CLAIM**

The ornamental design for a combined fish cleaner grate and tray, as shown and described.

**DESCRIPTION**

FIG. 1 is a top view of the grate shown removed from the tray for clarity of disclosure, showing my new design; FIG. 2 is a front elevation view of the grate, wherein rear elevation view is identical to front view, thereof; FIG. 3 is an end elevation view of the grate, wherein each end is identical, thereof; FIG. 4 is a bottom view of the grate thereof; FIG. 5 is a perspective view of the grate thereof; FIG. 6 is a top view of the tray shown removed from the grate for clarity of disclosure, showing my new design; FIG. 7 is a front elevation view of the tray, wherein rear elevation view is identical to front view, thereof; FIG. 8 is an end elevation view of the tray, wherein each end is identical, thereof; FIG. 9 is a bottom view of the tray thereof; FIG. 10 is a perspective view of the tray thereof; FIG. 11 is a perspective view of the combined fish cleaner grate and tray showing the grate fitted into the tray thereof; FIG. 12 is an exploded view showing grate separated from tray thereof; FIG. 13 is a cross sectional view taken in the direction of line 13-13 of FIG. 11; and, FIG. 14 is an enlarged cross sectional view taken from FIG. 13.

**1 Claim, 9 Drawing Sheets**



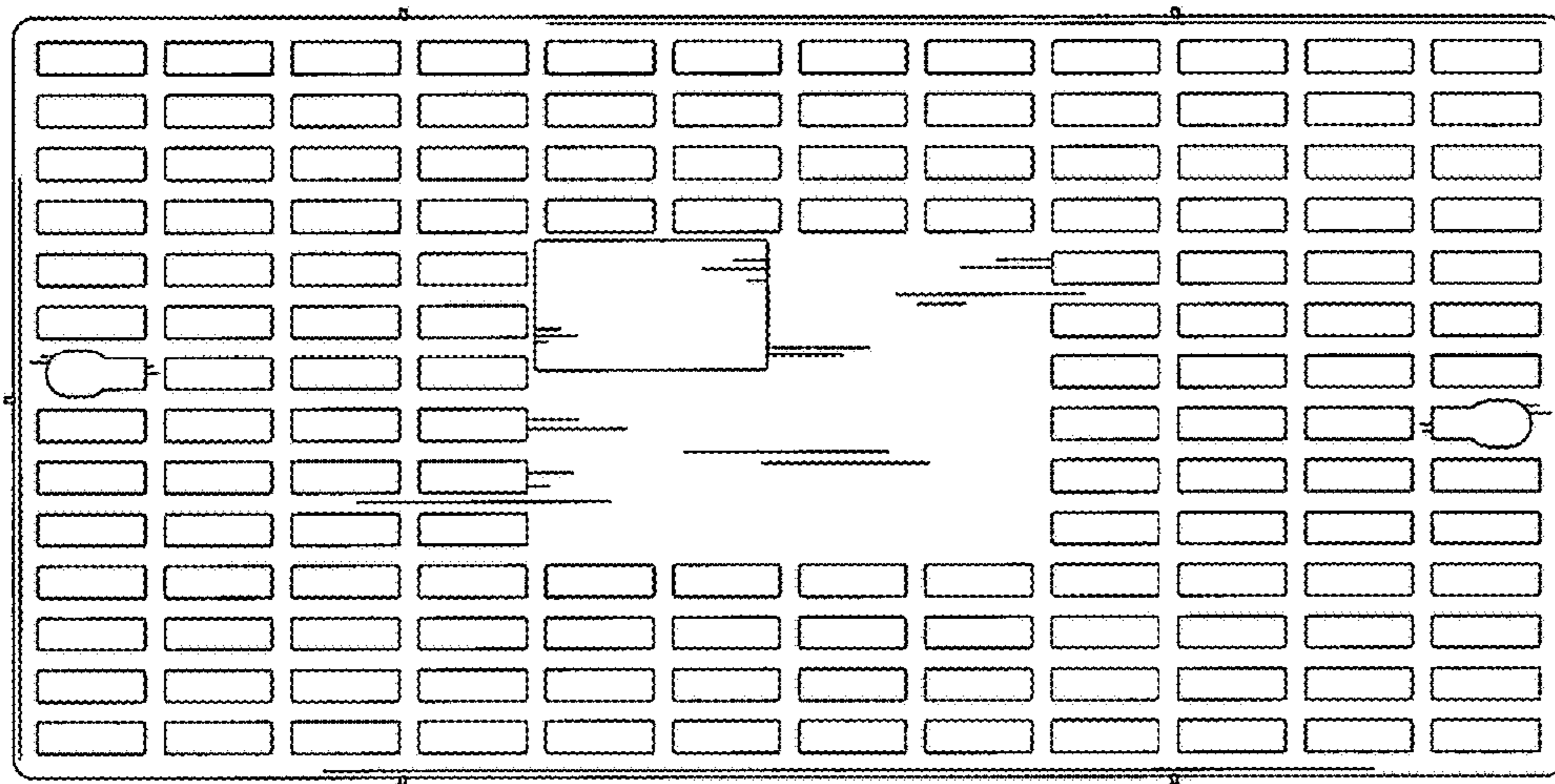


FIG 1



FIG 3

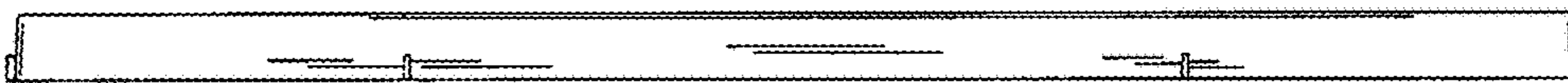


FIG 2

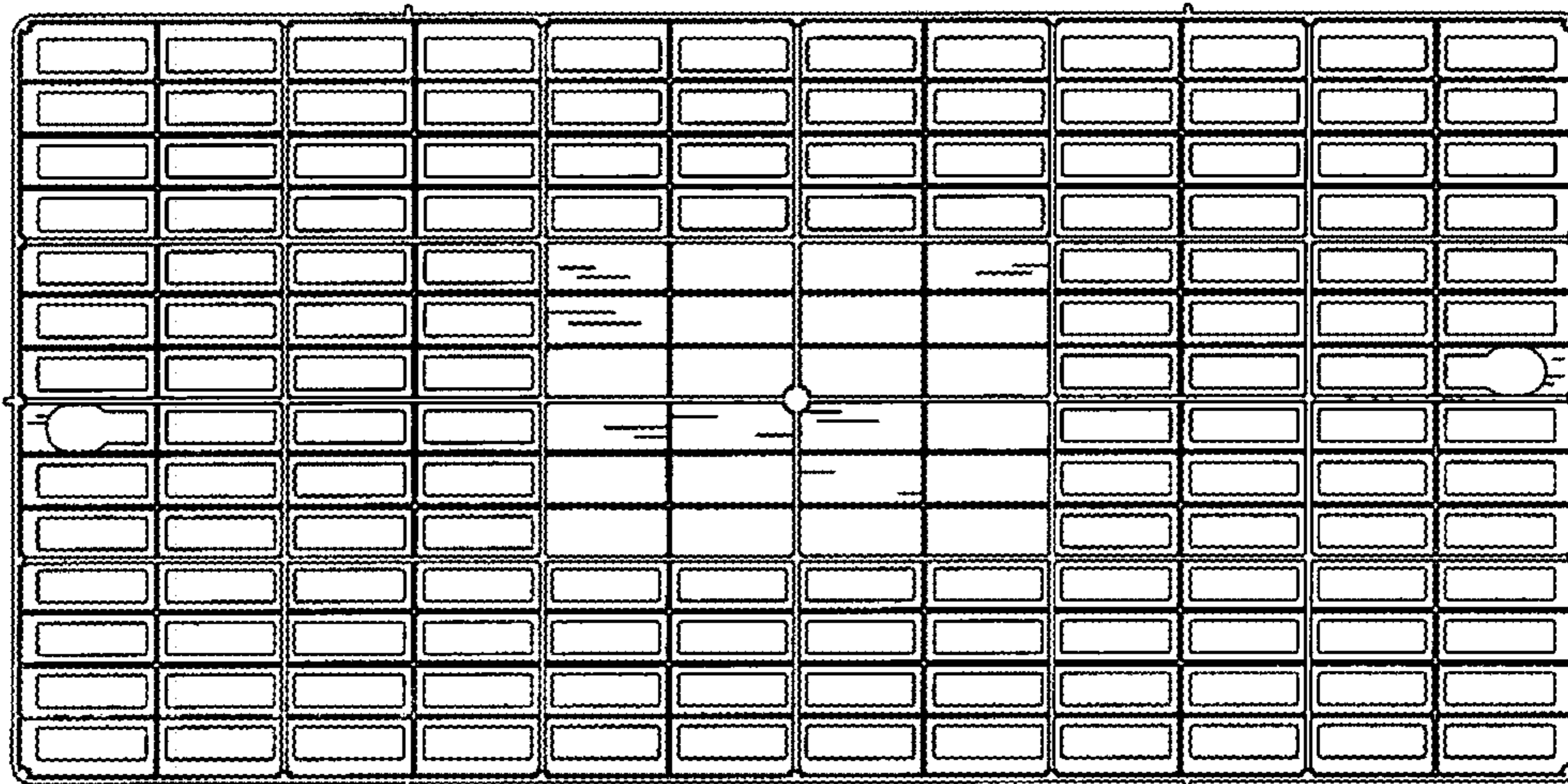


FIG 4

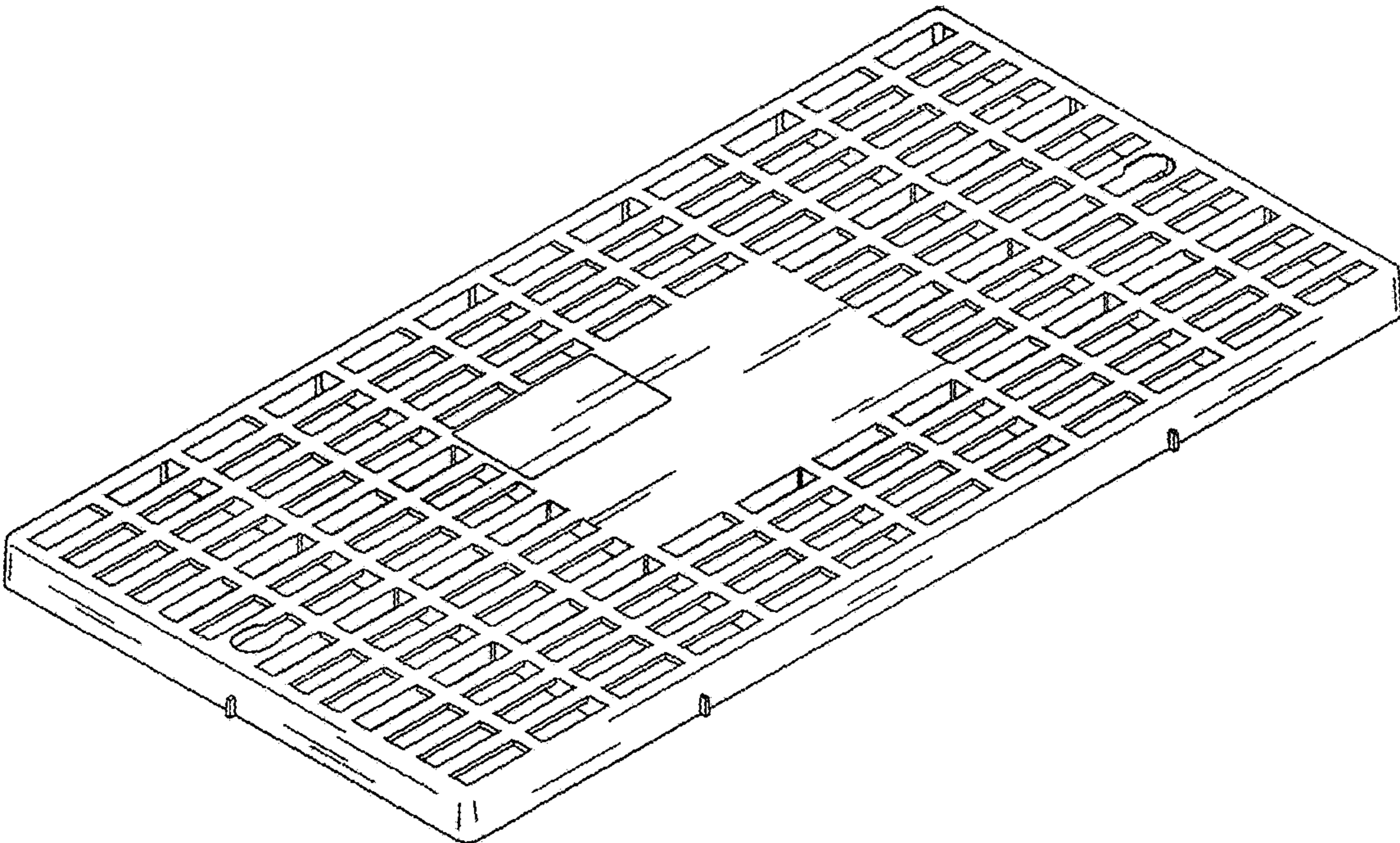


FIG 5

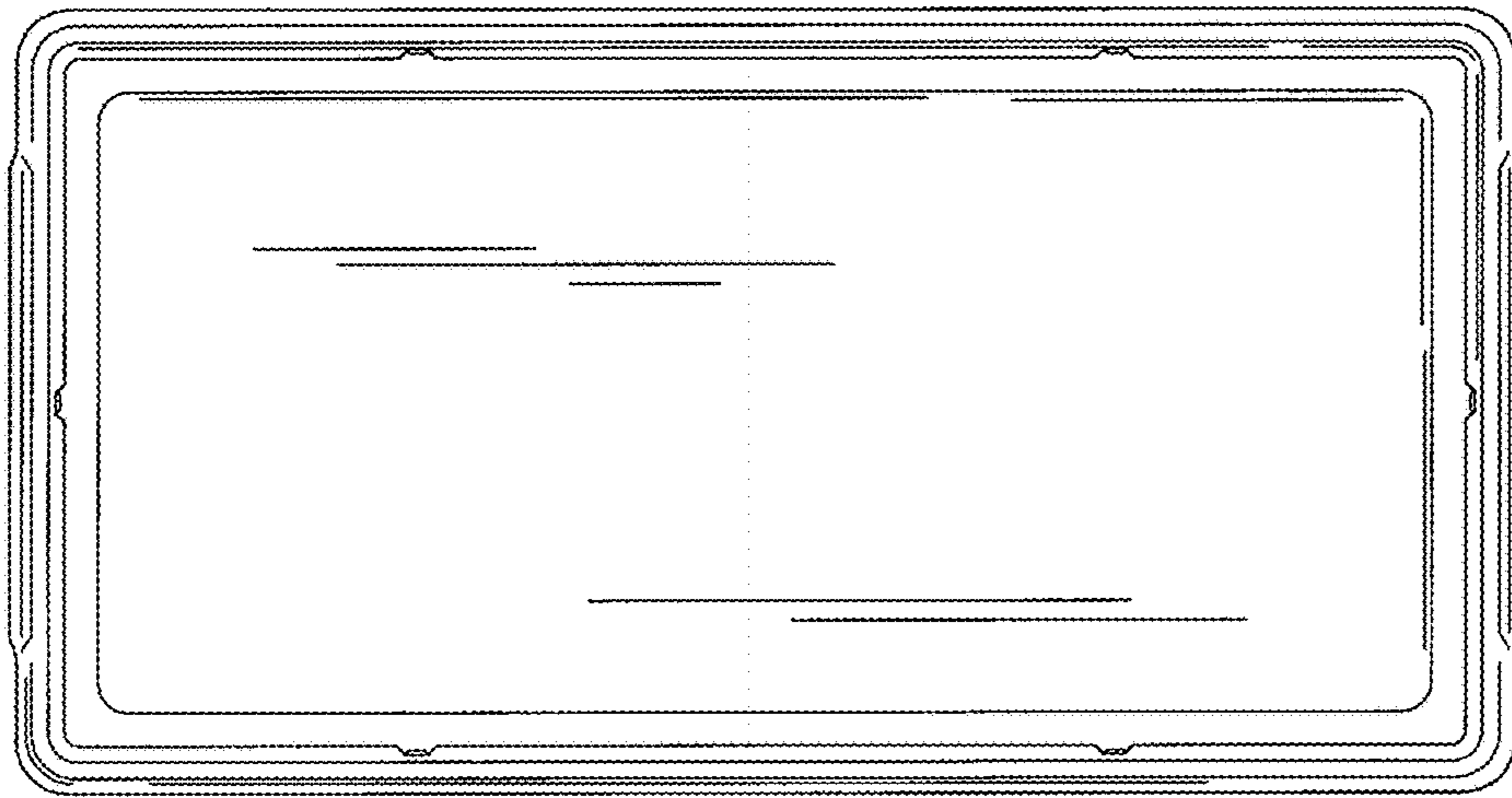


FIG 6

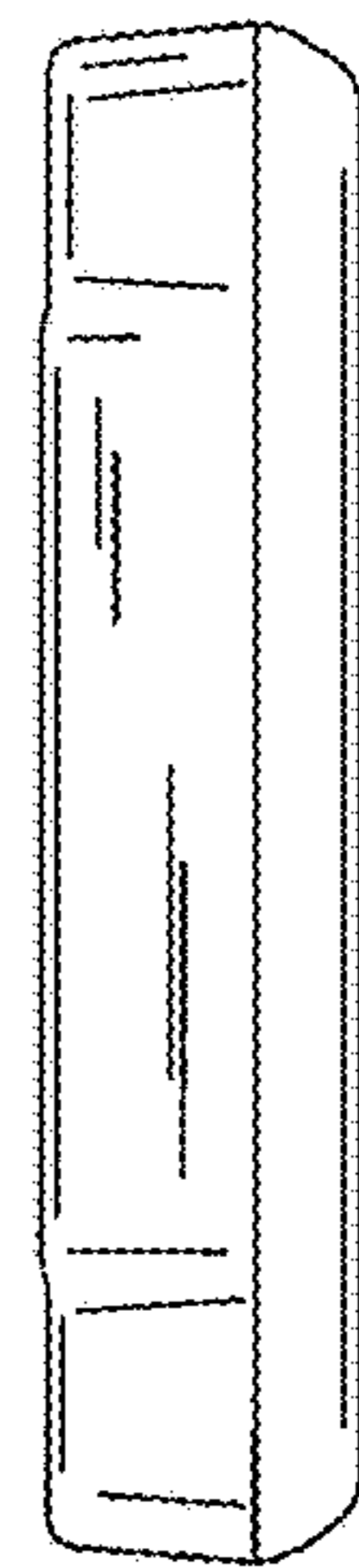


FIG 8

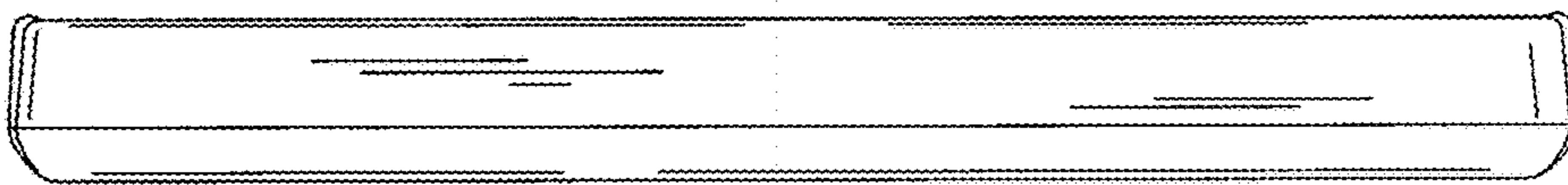


FIG 7

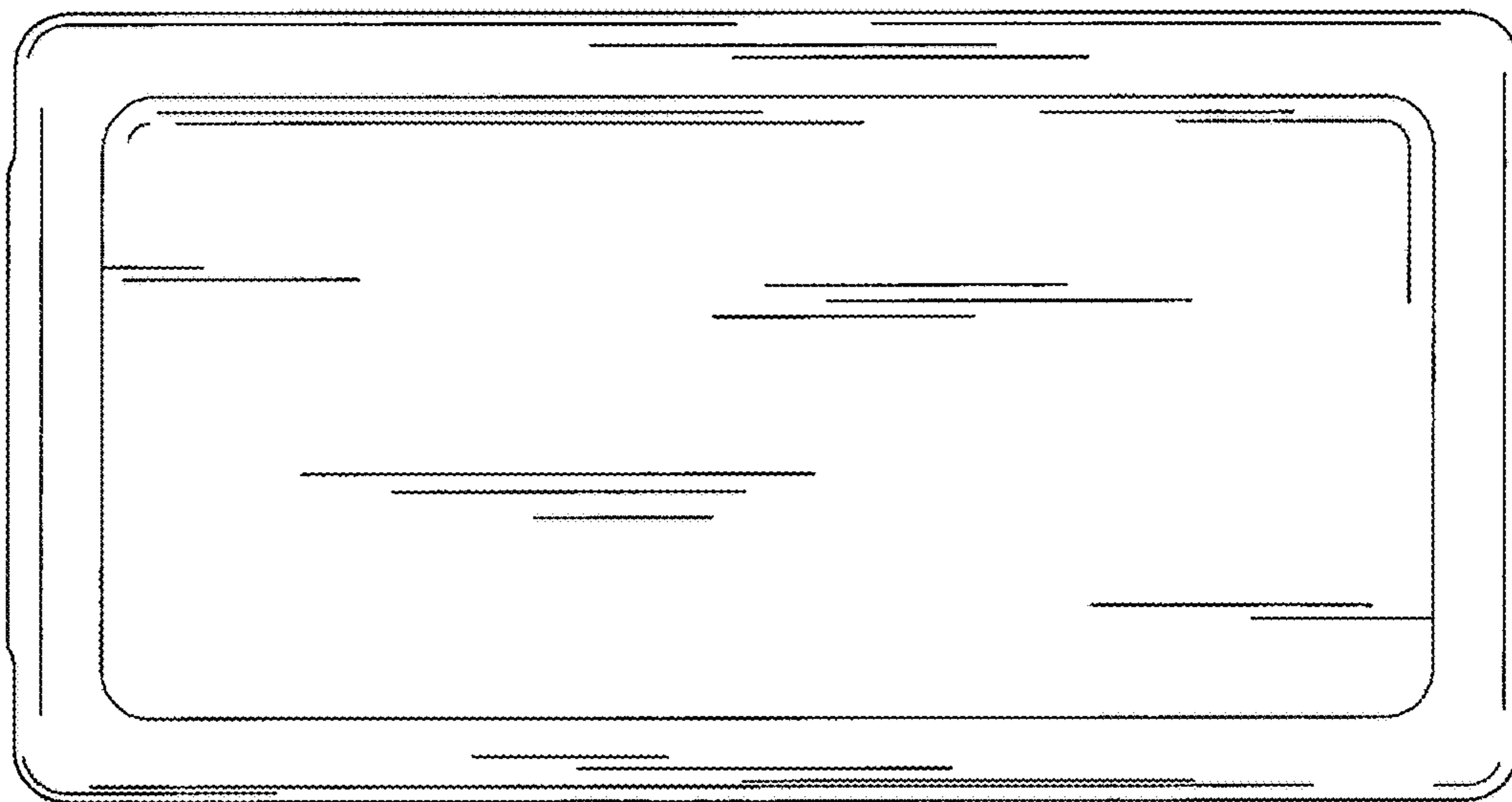


FIG 9

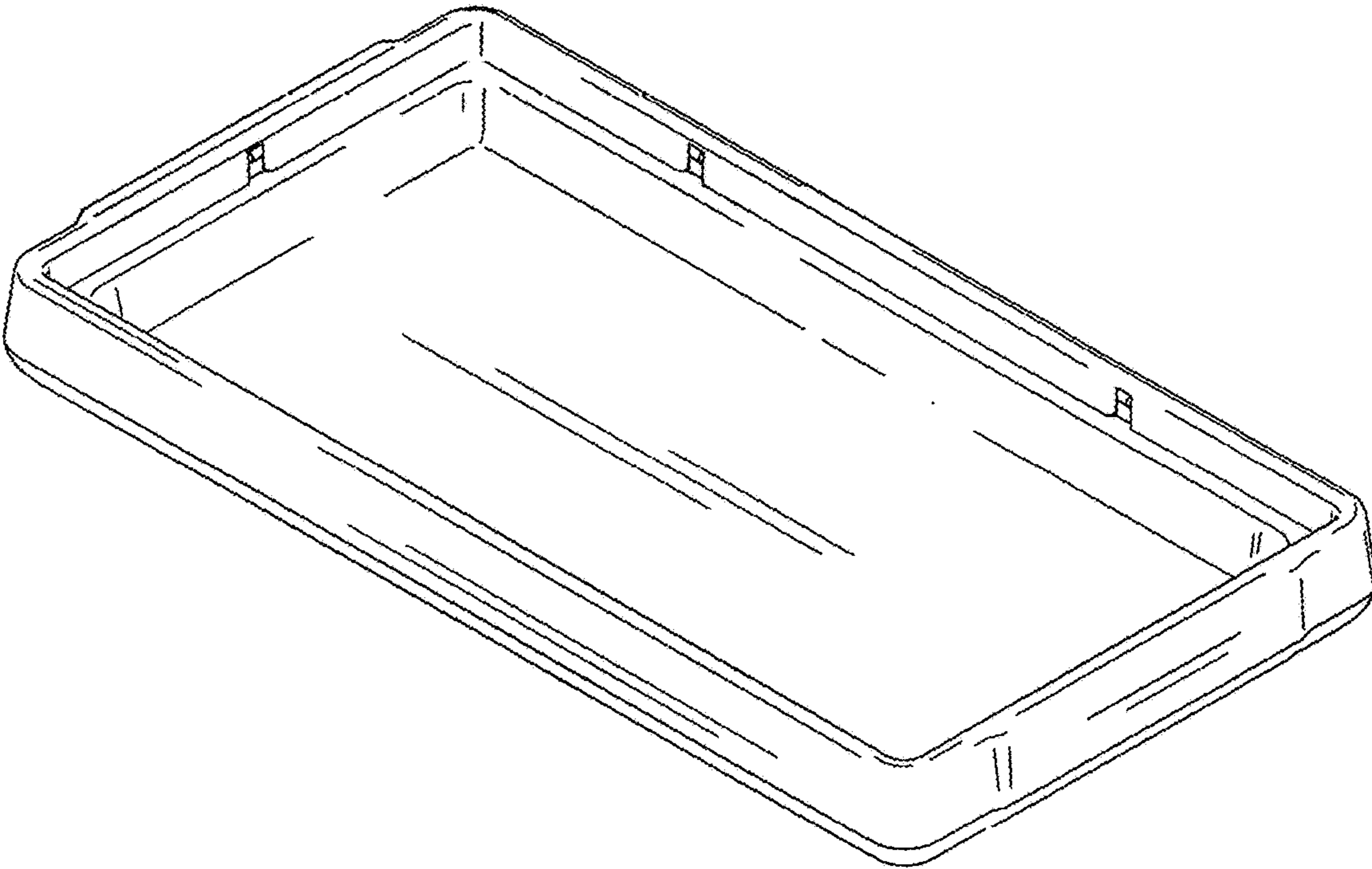


FIG 10

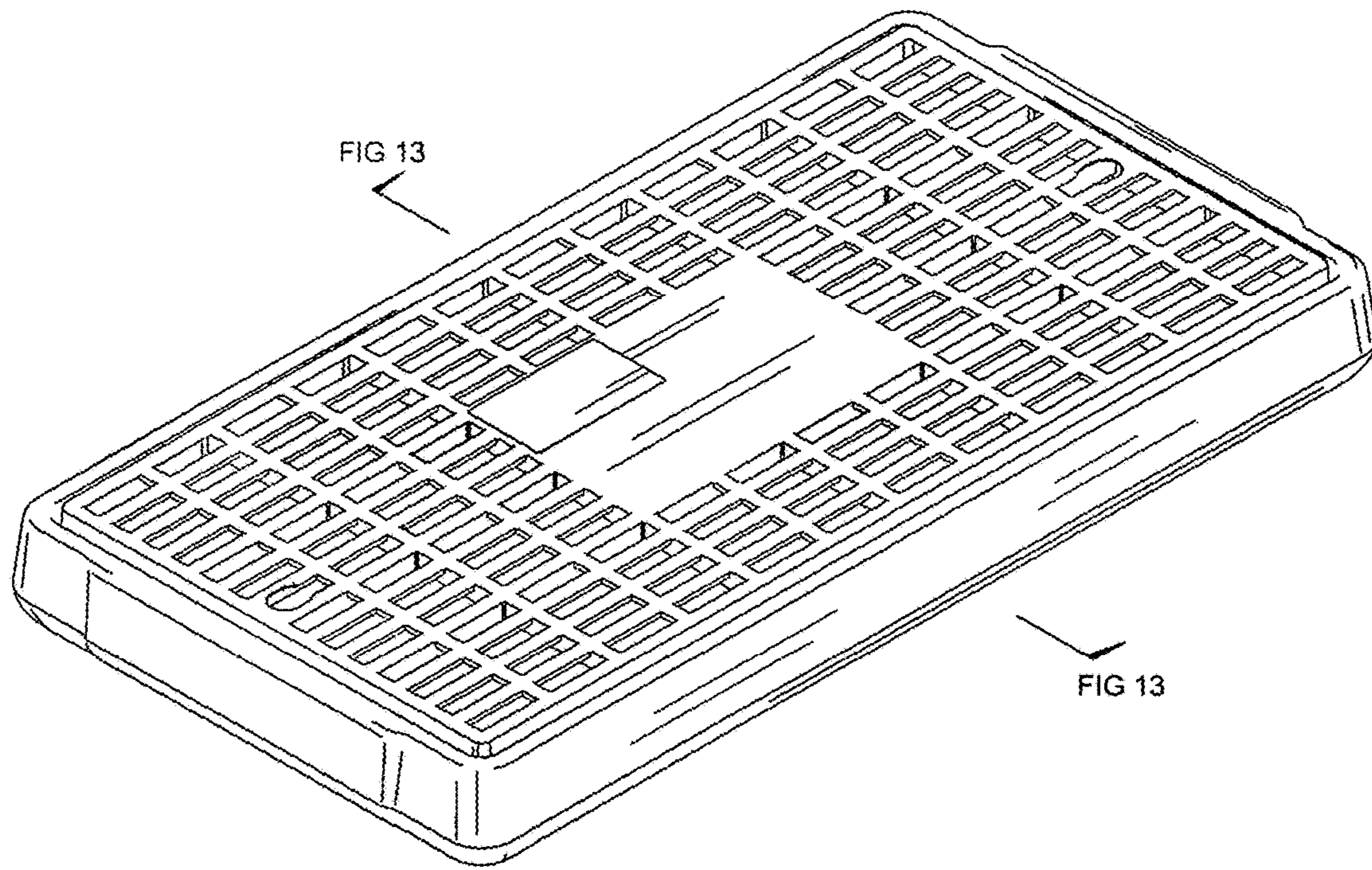


FIG 11



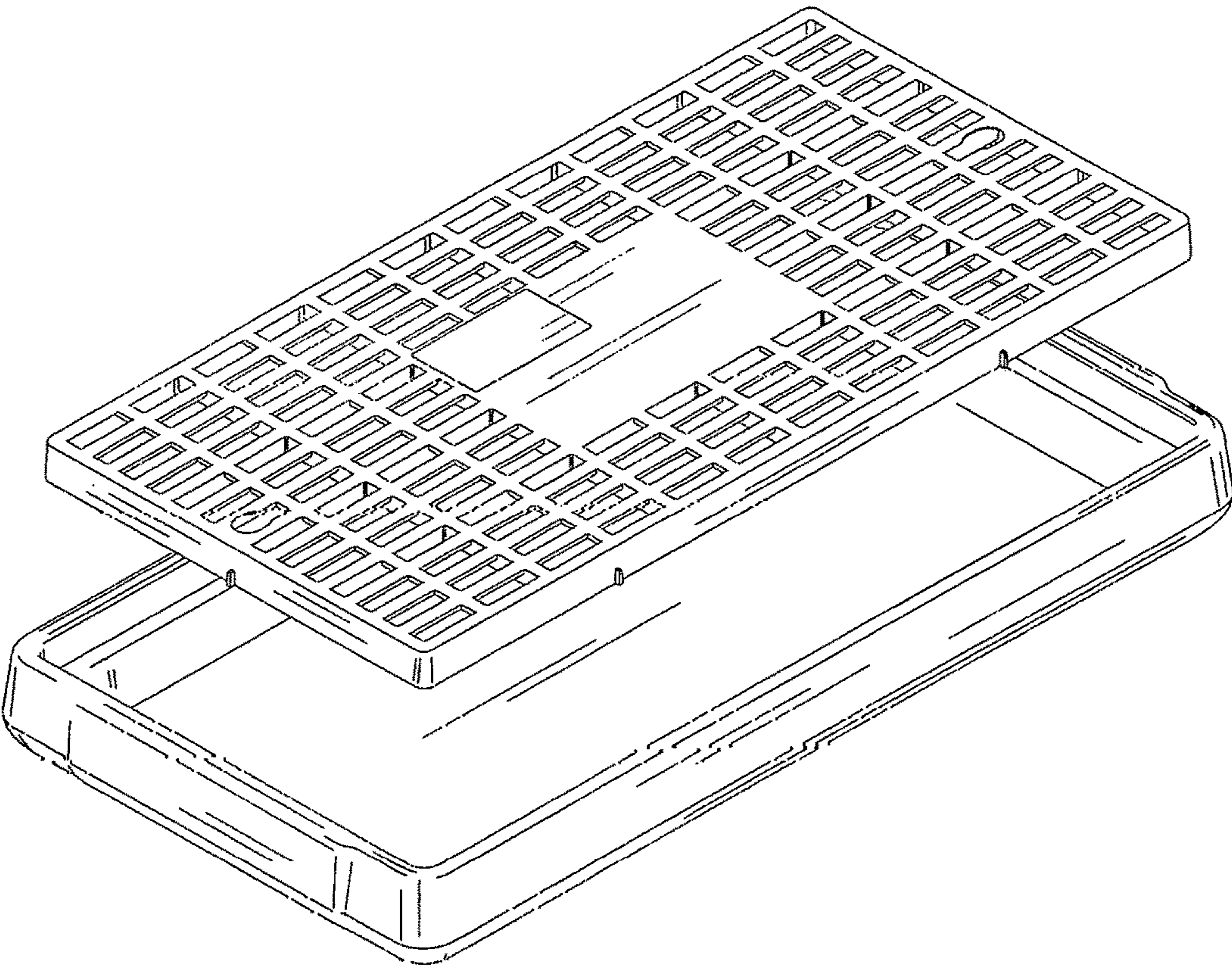


FIG 12

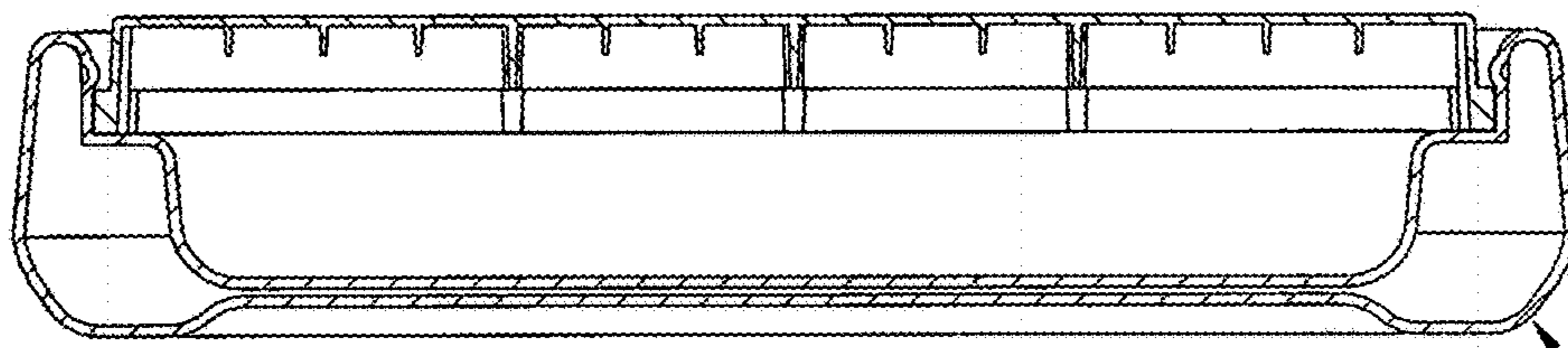


FIG 13

FIG 14

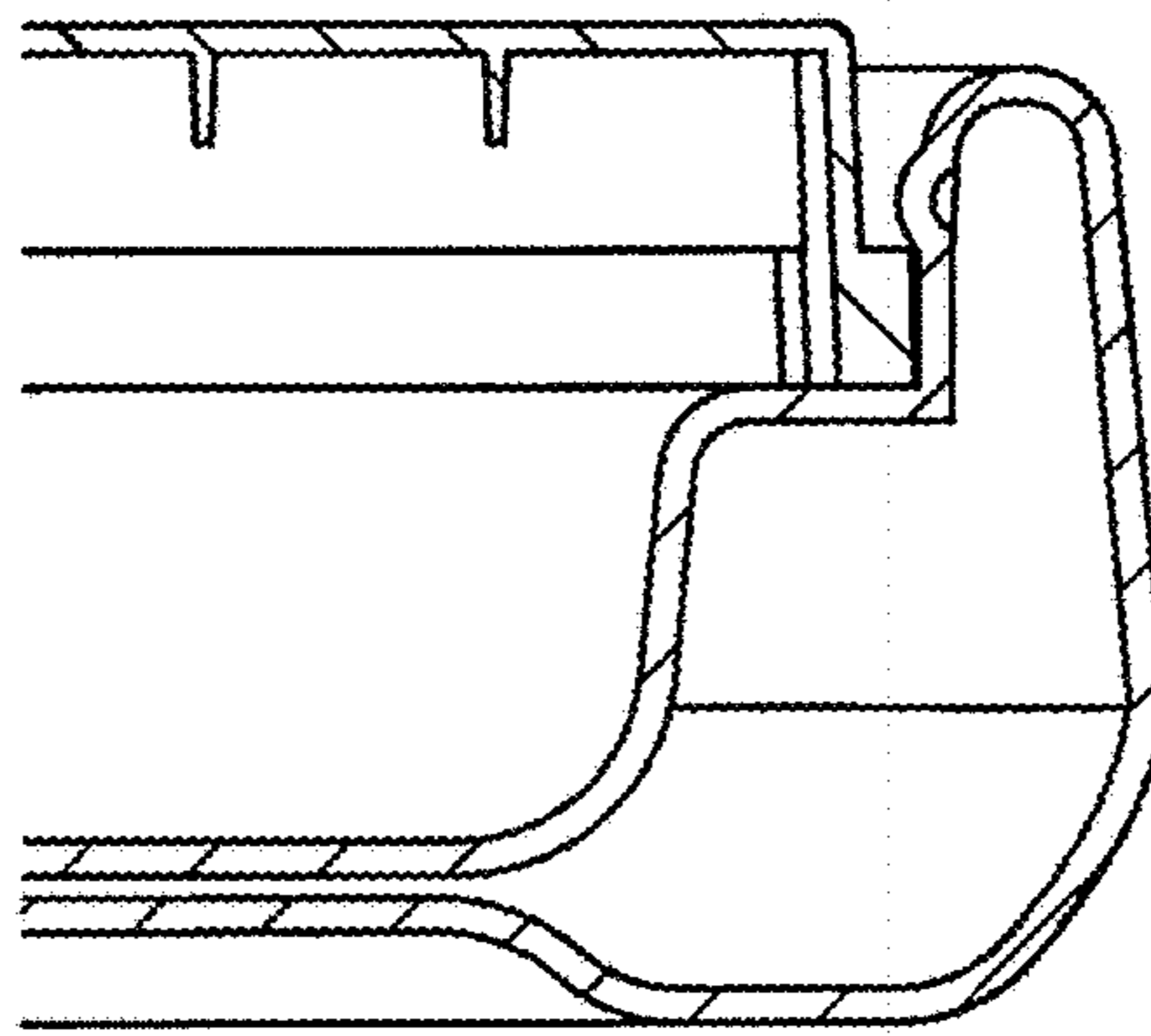


FIG 14