



US00D810513S

(12) **United States Design Patent**
McCoy et al.

(10) **Patent No.:** **US D810,513 S**

(45) **Date of Patent:** **** Feb. 20, 2018**

(54) **COCKTAIL SHAKER**

(71) Applicant: **NuOp Design**, New York, NY (US)

(72) Inventors: **John McCoy**, New York, NY (US);
Frank Frisari, New York, NY (US)

(73) Assignee: **NuOp Design**, New York, NY (US)

(**) Term: **15 Years**

(21) Appl. No.: **29/552,448**

(22) Filed: **Jan. 22, 2016**

(51) **LOC (11) Cl.** **07-01**

(52) **U.S. Cl.**

USPC **D7/514; D7/515; D9/665; D17/22**

(58) **Field of Classification Search**

USPC **D7/507, 509, 505, 510, 511, 512, 514,**
D7/515, 518, 521, 300, 300.1; D9/665;
D17/22, 10; 84/330; D21/405, 406, 411;
220/592.16, 592.17

CPC **A47J 43/27; A47G 19/22; A47G 19/2222;**
B65D 47/066; G10B 3/10

See application file for complete search history.

(56) **References Cited**

U.S. PATENT DOCUMENTS

D40,500 S * 2/1910 Patno D9/665
D58,091 S * 6/1921 Heisler D7/300
1,967,469 A * 7/1934 Dulany A47J 43/27
220/4.26
D102,943 S * 1/1937 Dulany D7/300.1
2,102,520 A * 12/1937 De Montmorency .. A47J 43/27
220/568
D111,500 S * 9/1938 Solomon D7/300.1
D152,675 S * 2/1949 Cravaritis D7/300.1
2,484,159 A * 10/1949 Flynn, Jr. A63H 5/00
362/102
D156,556 S * 12/1949 Pierce D7/300.1
D341,745 S * 11/1993 Mitchell D7/300

D419,378 S * 1/2000 Madden D7/510
D419,379 S * 1/2000 Madden D7/515
6,858,787 B1 * 2/2005 de Vries B65D 11/04
84/402
7,045,695 B1 * 5/2006 Cohen G10D 13/06
446/419
D560,969 S * 2/2008 Mansfield D7/509
D566,574 S * 4/2008 Ayinde D7/515
D572,518 S * 7/2008 Venier D7/300
D579,259 S * 10/2008 Venier D7/316
D582,281 S * 12/2008 Zanaletti D9/516
D592,457 S * 5/2009 Mansfield D7/509
D604,555 S * 11/2009 Jensen D7/300
D606,795 S * 12/2009 Liao D7/300
D614,432 S * 4/2010 Liao D7/300
D689,119 S * 9/2013 Lochen D17/10
D689,122 S * 9/2013 Lochen D17/10
D689,124 S * 9/2013 Lochen D17/10
D689,125 S * 9/2013 Lochen D17/10
D691,408 S * 10/2013 Chiorazzi D11/146
D695,068 S * 12/2013 Strobel D7/510
D700,468 S * 3/2014 Chiorazzi D11/146
D797,499 S * 9/2017 Jones D7/397

* cited by examiner

Primary Examiner — Marianne Pandozzi

Assistant Examiner — Jae Liang

(74) *Attorney, Agent, or Firm* — Collard & Roe, P.C.

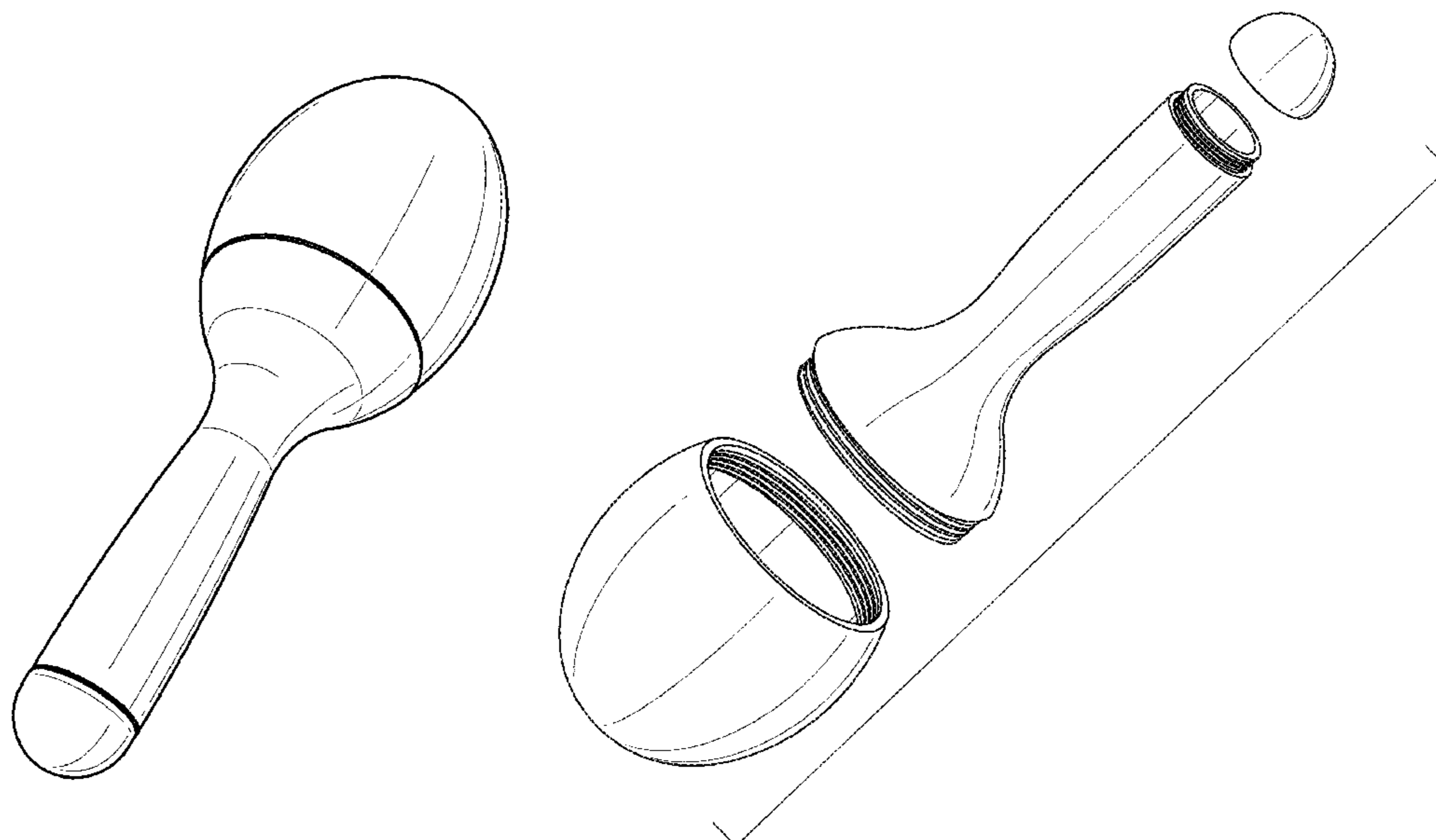
(57) **CLAIM**

The ornamental design for a cocktail shaker, as shown and described.

DESCRIPTION

FIG. 1 is a side and bottom perspective view of a cocktail shaker showing our new design;
FIG. 2 is a side view thereof; all sides being identical;
FIG. 3 is a bottom plan view thereof;
FIG. 4 is a top plan view thereof; and,
FIG. 5 is an exploded view thereof.

1 Claim, 2 Drawing Sheets



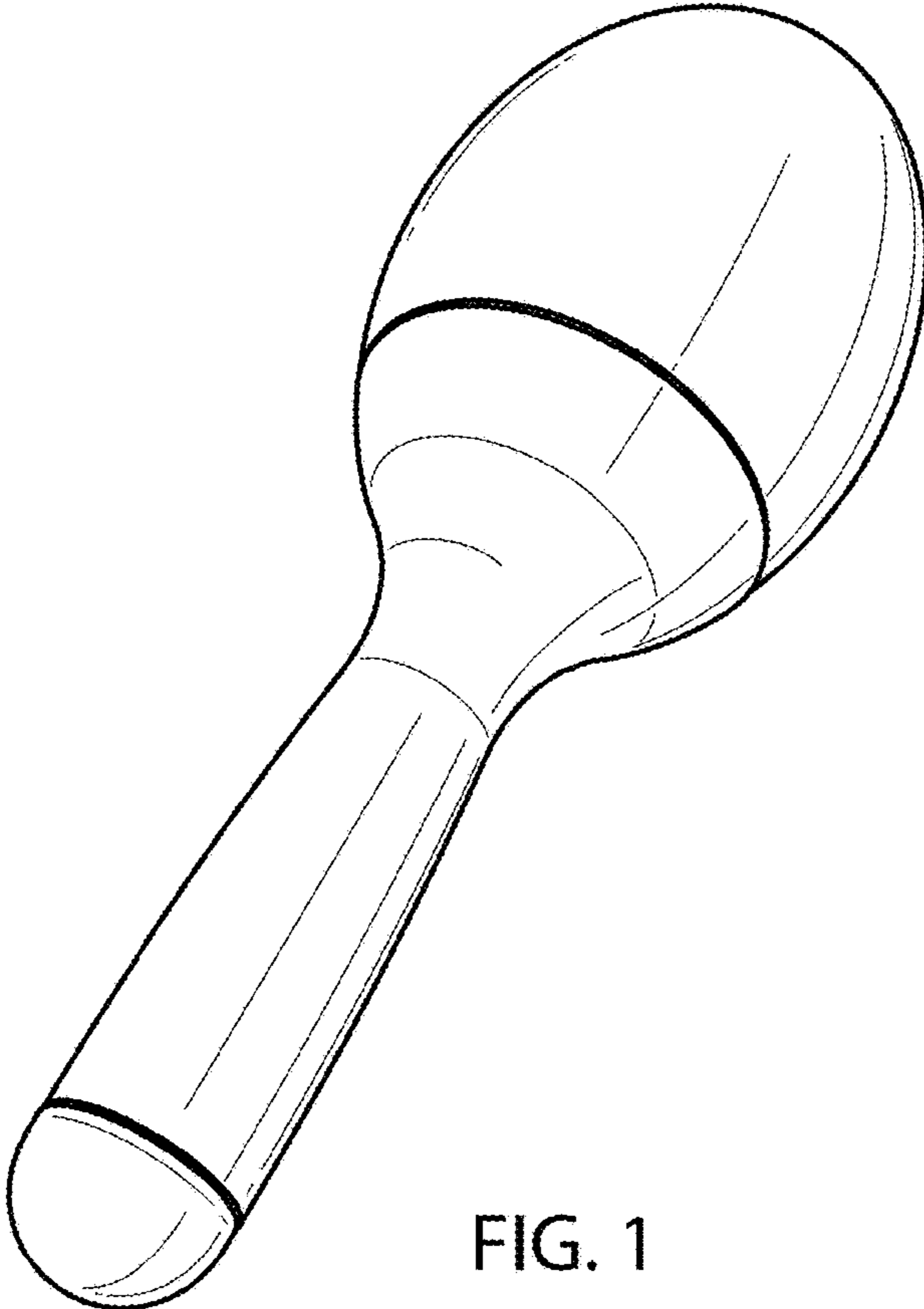


FIG. 1

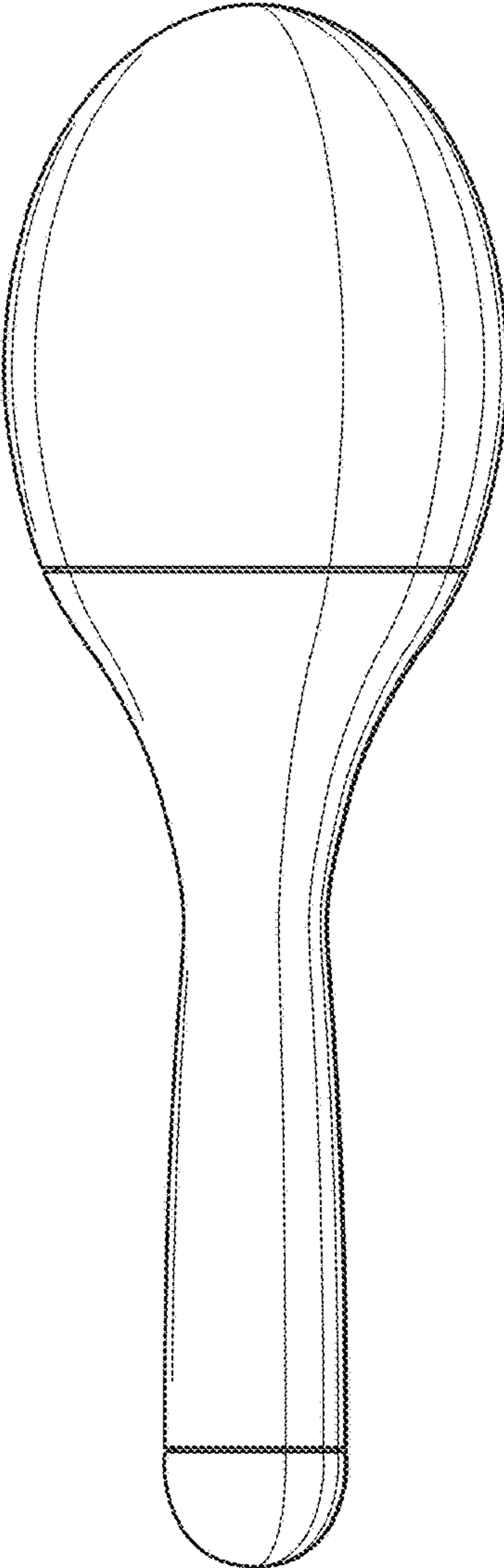


FIG. 2

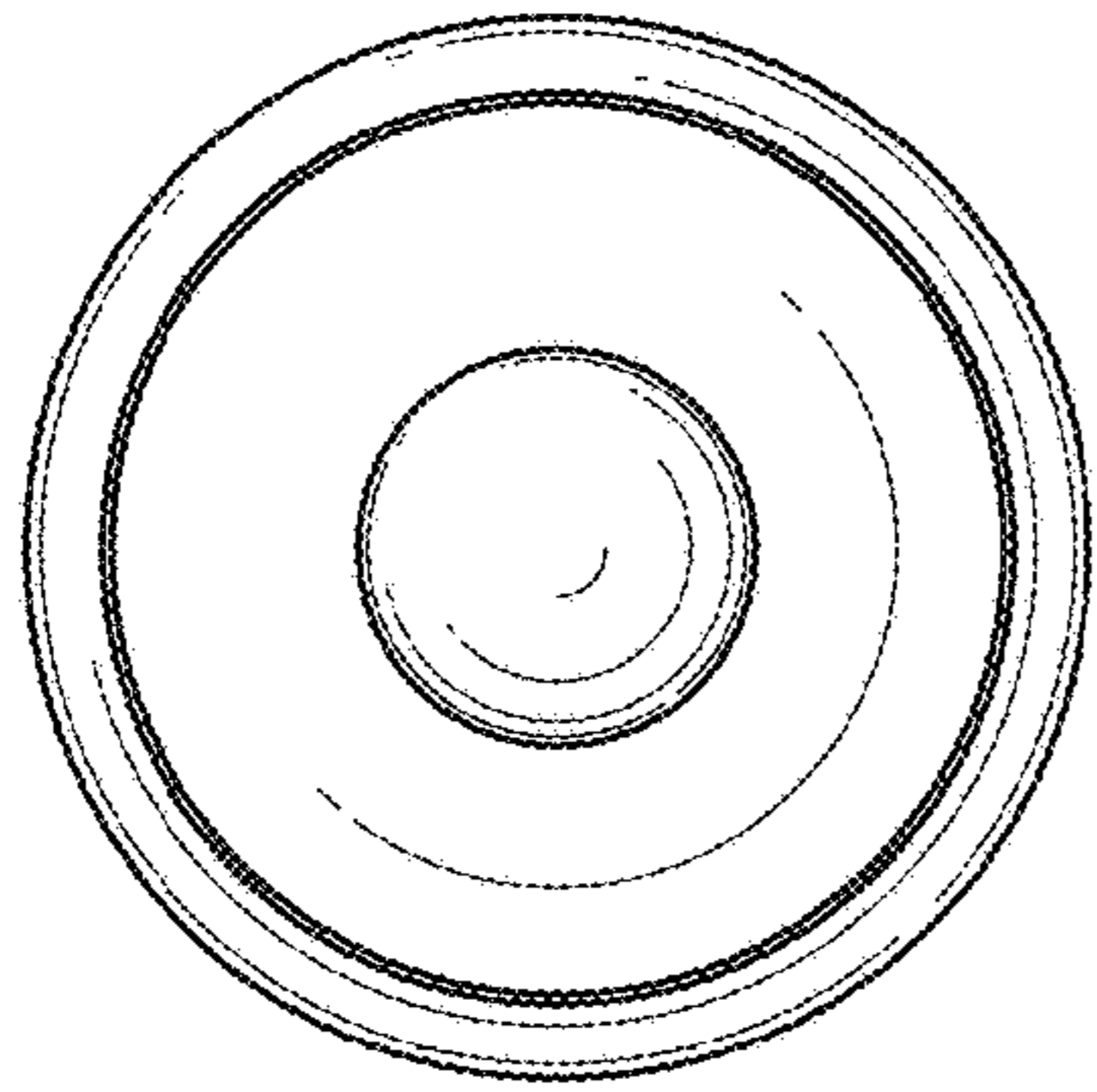


FIG. 3

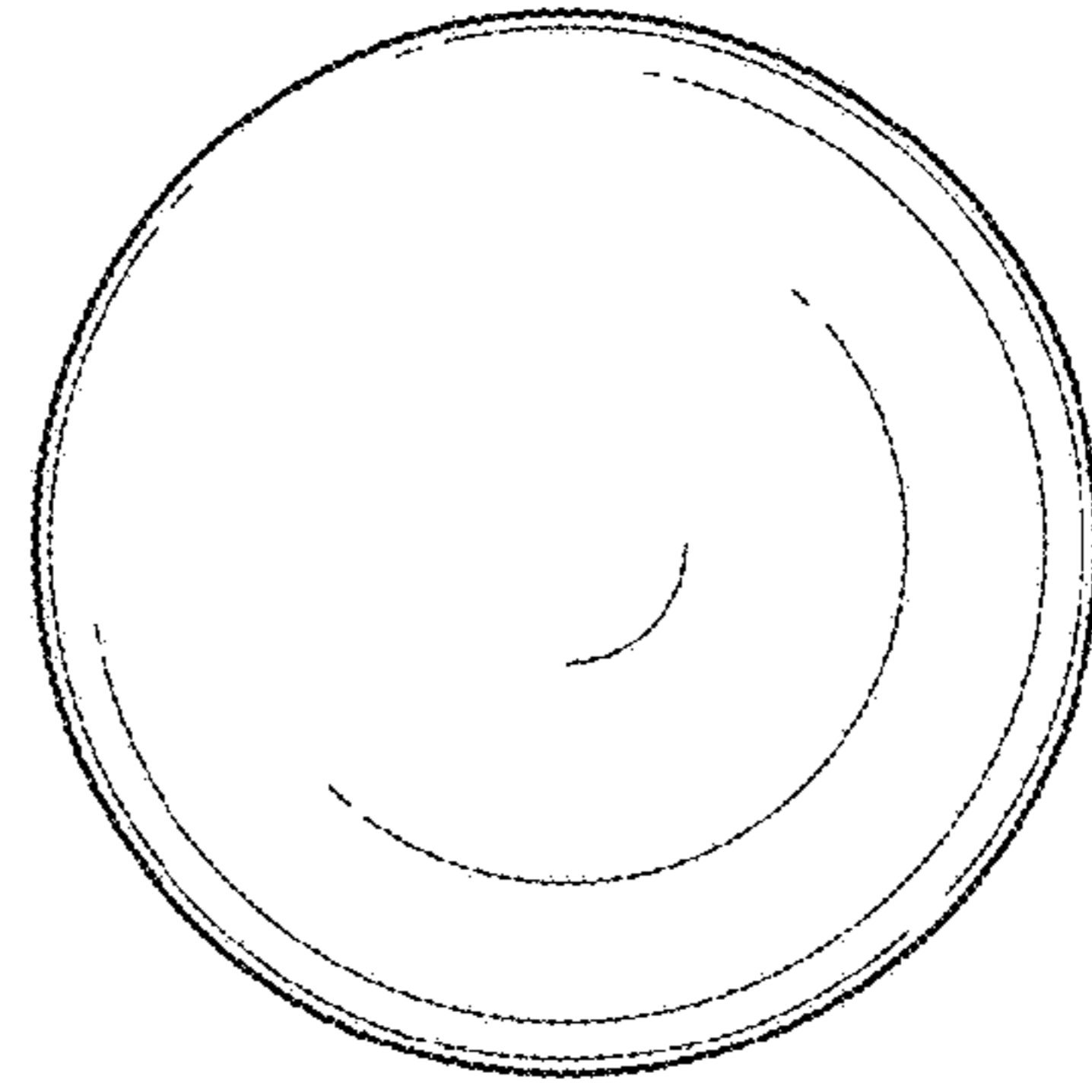


FIG. 4

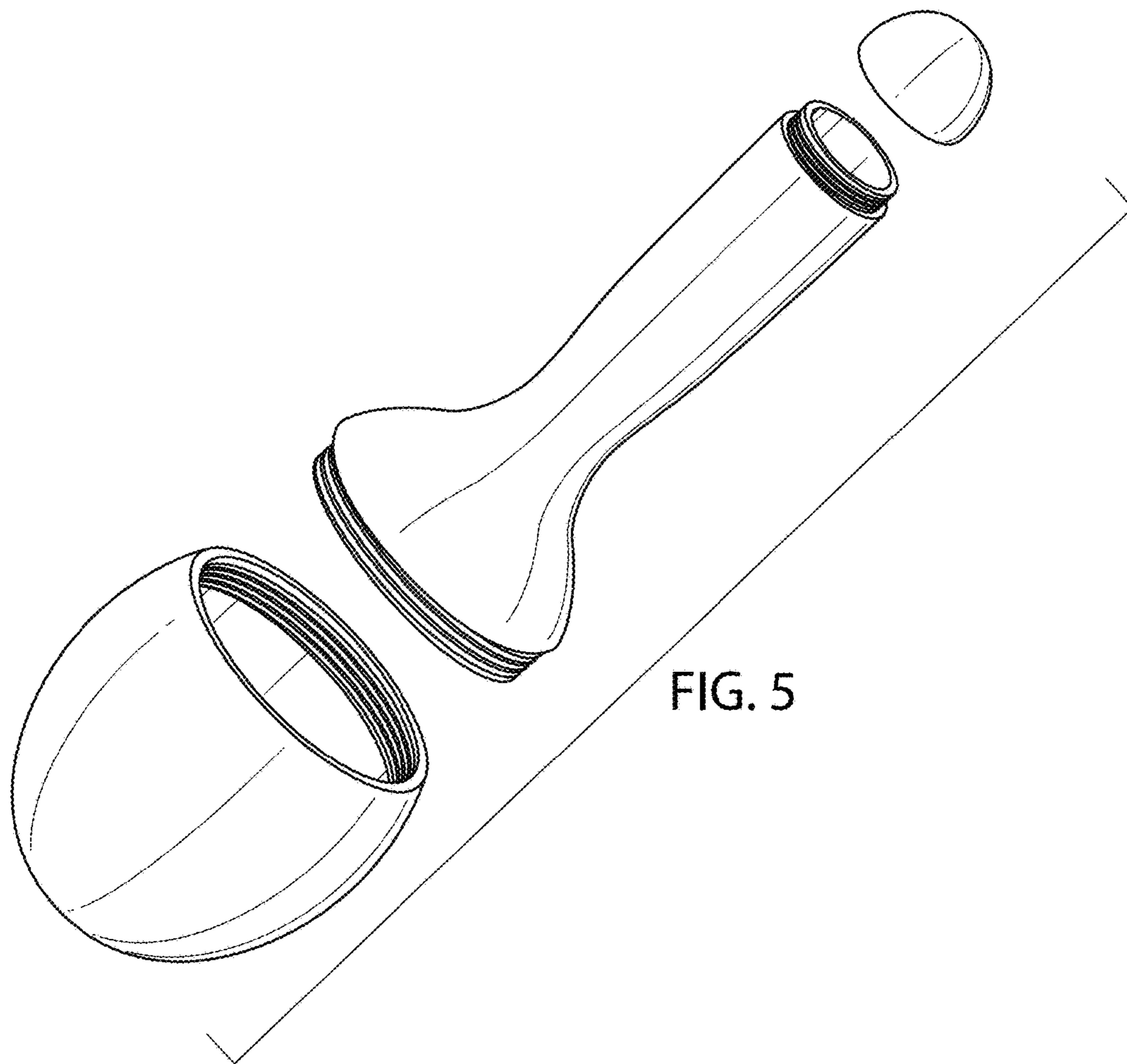


FIG. 5