



US00D810509S

(12) **United States Design Patent** (10) **Patent No.:** **US D810,509 S**  
**Bogazzi** (45) **Date of Patent:** **\*\* Feb. 20, 2018**

- (54) **CHIMNEY VENT CAP GRIP**
- (71) Applicant: **Marco Bogazzi**, Marietta, GA (US)
- (72) Inventor: **Marco Bogazzi**, Marietta, GA (US)
- (73) Assignee: **The Big Green Egg, Inc.**, Atlanta, GA (US)
- (\*\*) Term: **15 Years**
- (21) Appl. No.: **29/569,397**
- (22) Filed: **Jun. 27, 2016**
- (51) **LOC (11) Cl.** ..... **07-02**
- (52) **U.S. Cl.**  
USPC ..... **D7/402; D7/393; D7/395**
- (58) **Field of Classification Search**  
USPC ..... D7/332, 334, 354–361, 393–396, 402,  
D7/406, 409; D4/104  
CPC ..... A47J 37/0786; A47J 37/0704; F23J 11/08;  
F24B 1/028  
See application file for complete search history.

- D597,395 S \* 8/2009 Martineau ..... D8/313
- D643,680 S \* 8/2011 Bodum ..... D7/395
- D643,681 S \* 8/2011 Bodum ..... D7/395
- D659,466 S \* 5/2012 Wheeler ..... D7/395
- D679,503 S \* 4/2013 Nanda ..... D4/108

(Continued)

*Primary Examiner* — Cathron C Brooks  
*Assistant Examiner* — Sharon S Oum  
(74) *Attorney, Agent, or Firm* — Merchant & Gould P.C.

(57) **CLAIM**

The ornamental design for a chimney vent cap grip, as shown and described.

**DESCRIPTION**

FIG. 1 is a front perspective view of a chimney vent cap grip showing my new design according to an example embodiment, the chimney vent cap grip being shown attached to a chimney vent cap for a grill, smoker, or other cooking device;

FIG. 2 is the front perspective view of the chimney vent cap grip of FIG. 1 without the chimney vent cap;

FIG. 3 is a left elevation view of the chimney vent cap grip of FIG. 1;

FIG. 4 is a right elevation view of the chimney vent cap grip of FIG. 1;

FIG. 5 is a top plan view of the chimney vent cap grip of FIG. 1.

FIG. 6 is a bottom plan view of the chimney vent cap grip of FIG. 1;

FIG. 7 is a front elevation view of the chimney vent cap grip of FIG. 1; and,

FIG. 8 is a back elevation view of the chimney vent cap grip of FIG. 1.

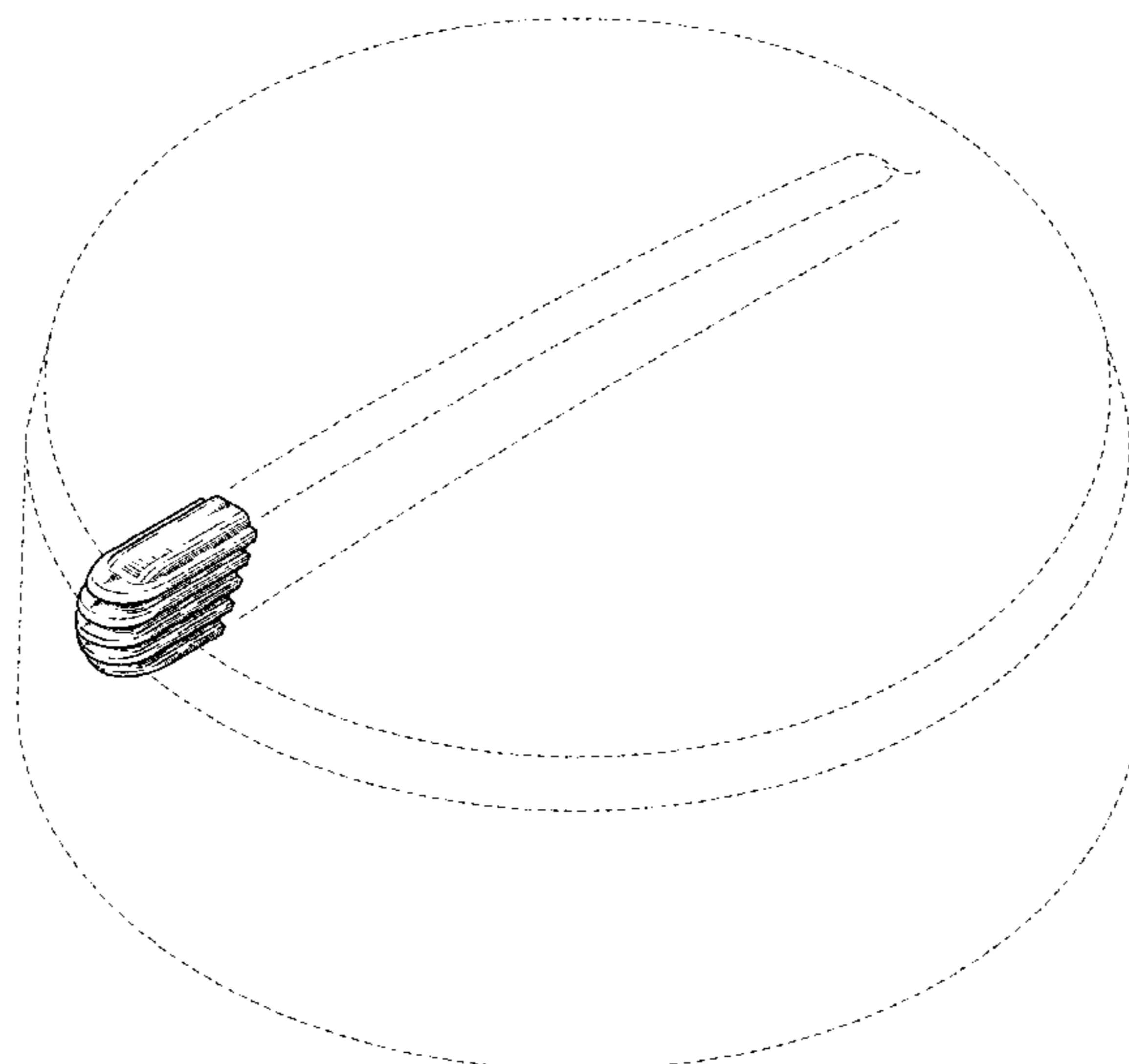
The broken lines in FIG. 1 illustrate the chimney vent cap and form no part of the claimed design. All other broken lines illustrate portions of the chimney vent cap grip that form no part of the claimed design.

**1 Claim, 7 Drawing Sheets**

(56) **References Cited**

U.S. PATENT DOCUMENTS

- D129,927 S \* 10/1941 Peat ..... D8/316
- D155,350 S \* 9/1949 Leberherz ..... D7/393
- D166,573 S \* 4/1952 Potchen ..... D25/125
- 4,197,611 A \* 4/1980 Bell ..... A47J 45/08  
16/DIG. 12
- D258,861 S \* 4/1981 Bratton ..... D7/387
- D329,642 S \* 9/1992 Booth ..... D4/104
- D342,864 S \* 1/1994 Schmidt ..... D7/393
- D417,585 S \* 12/1999 Kwok ..... D7/395
- D444,030 S \* 6/2001 Backstrom ..... D7/393
- D458,800 S \* 6/2002 Kotsonis ..... D7/393
- D461,313 S \* 8/2002 Hohlbein ..... D4/104
- D468,958 S \* 1/2003 Su ..... D7/395
- D521,314 S \* 5/2006 Ball ..... D7/393
- D566,460 S \* 4/2008 Zemel ..... D7/393
- D571,184 S \* 6/2008 Ricereto ..... D8/316
- D582,720 S \* 12/2008 Plichon ..... D7/393



(56)

**References Cited**

U.S. PATENT DOCUMENTS

D679,941 S \* 4/2013 Sigel ..... D7/395  
D688,094 S \* 8/2013 Arnold ..... D7/393  
8,556,115 B2 \* 10/2013 Bellerose ..... B65D 25/2841  
206/368  
D744,760 S \* 12/2015 Harrington ..... D4/138

\* cited by examiner

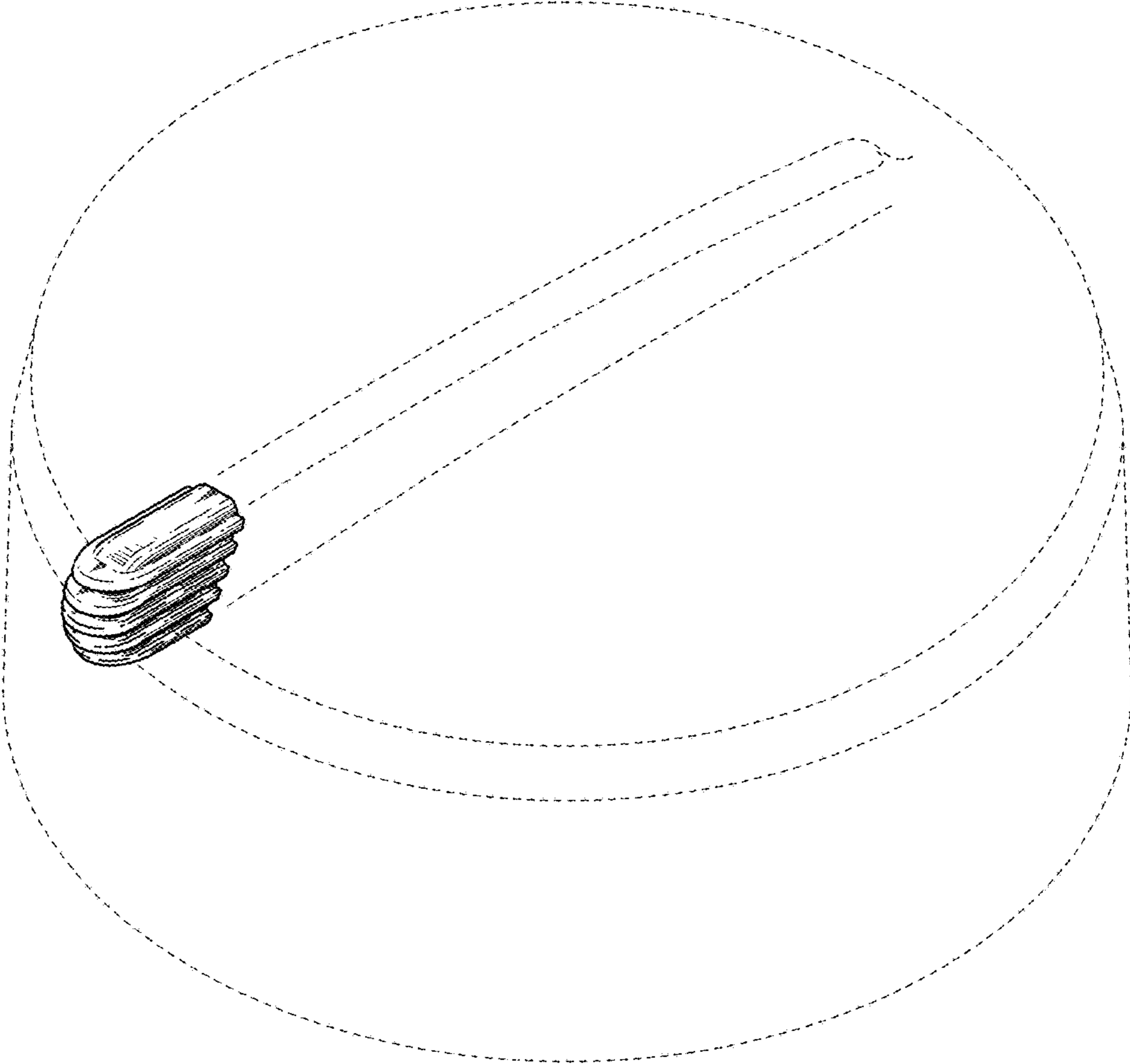


FIG. 1

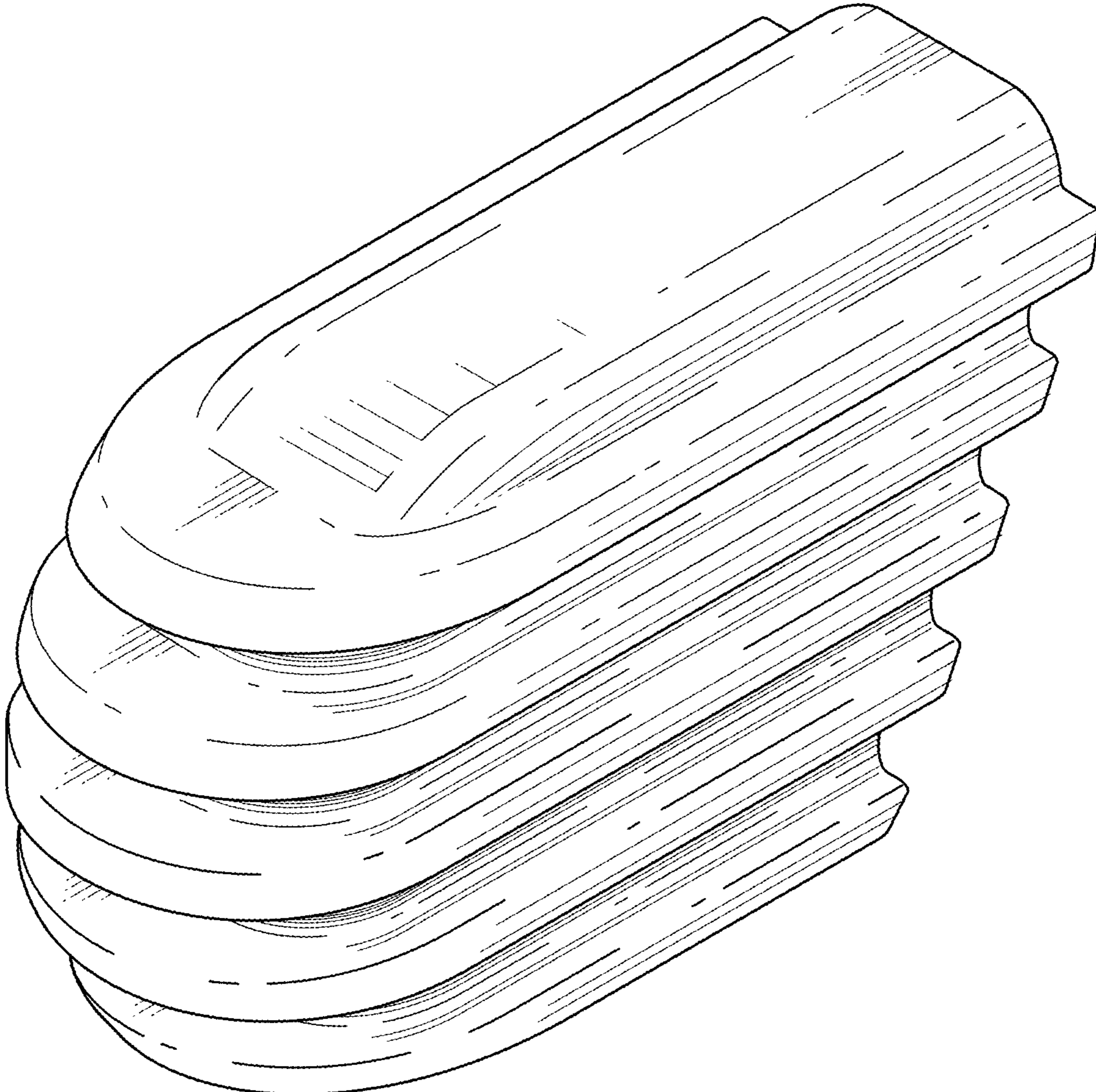


FIG. 2



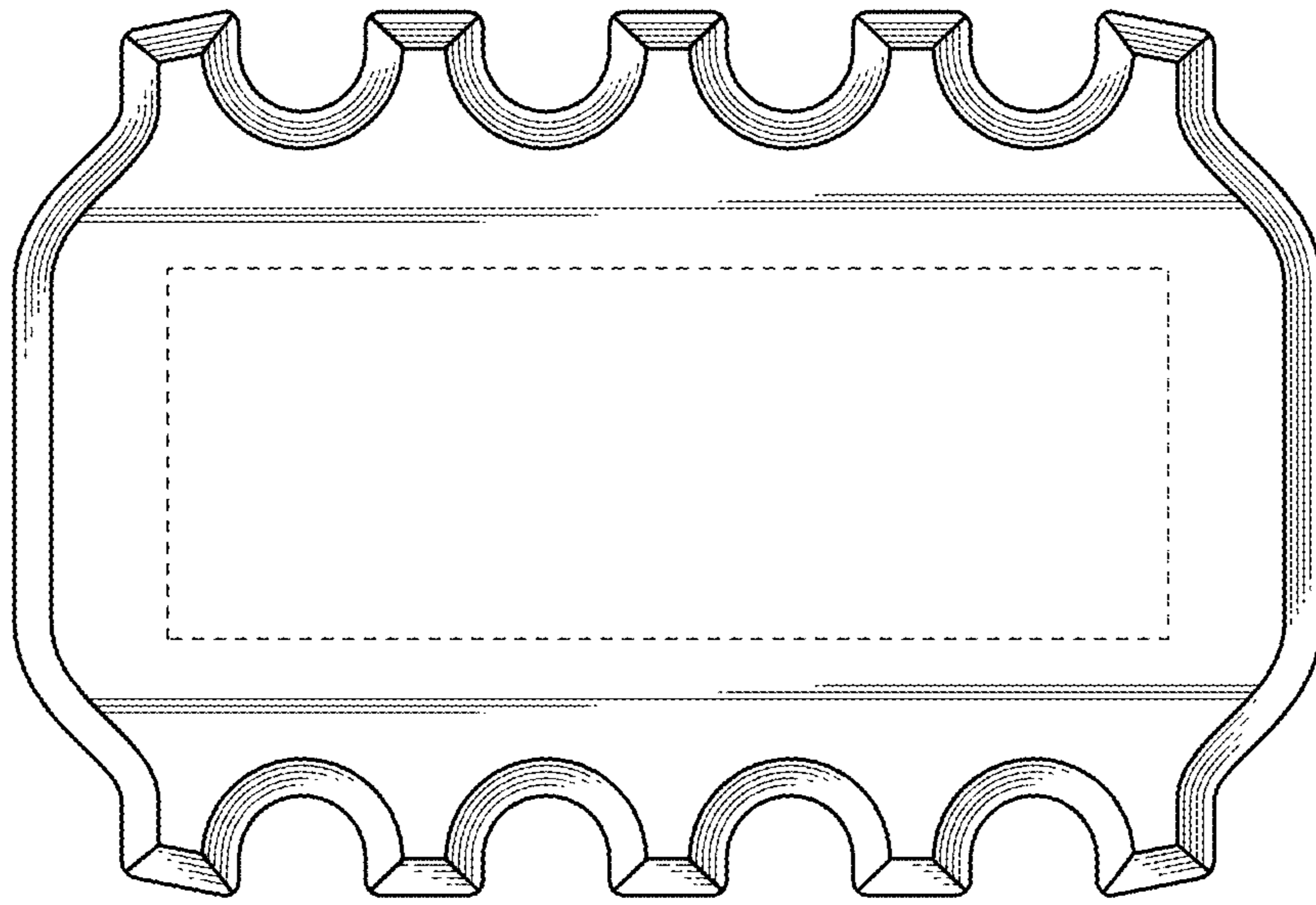


FIG. 4

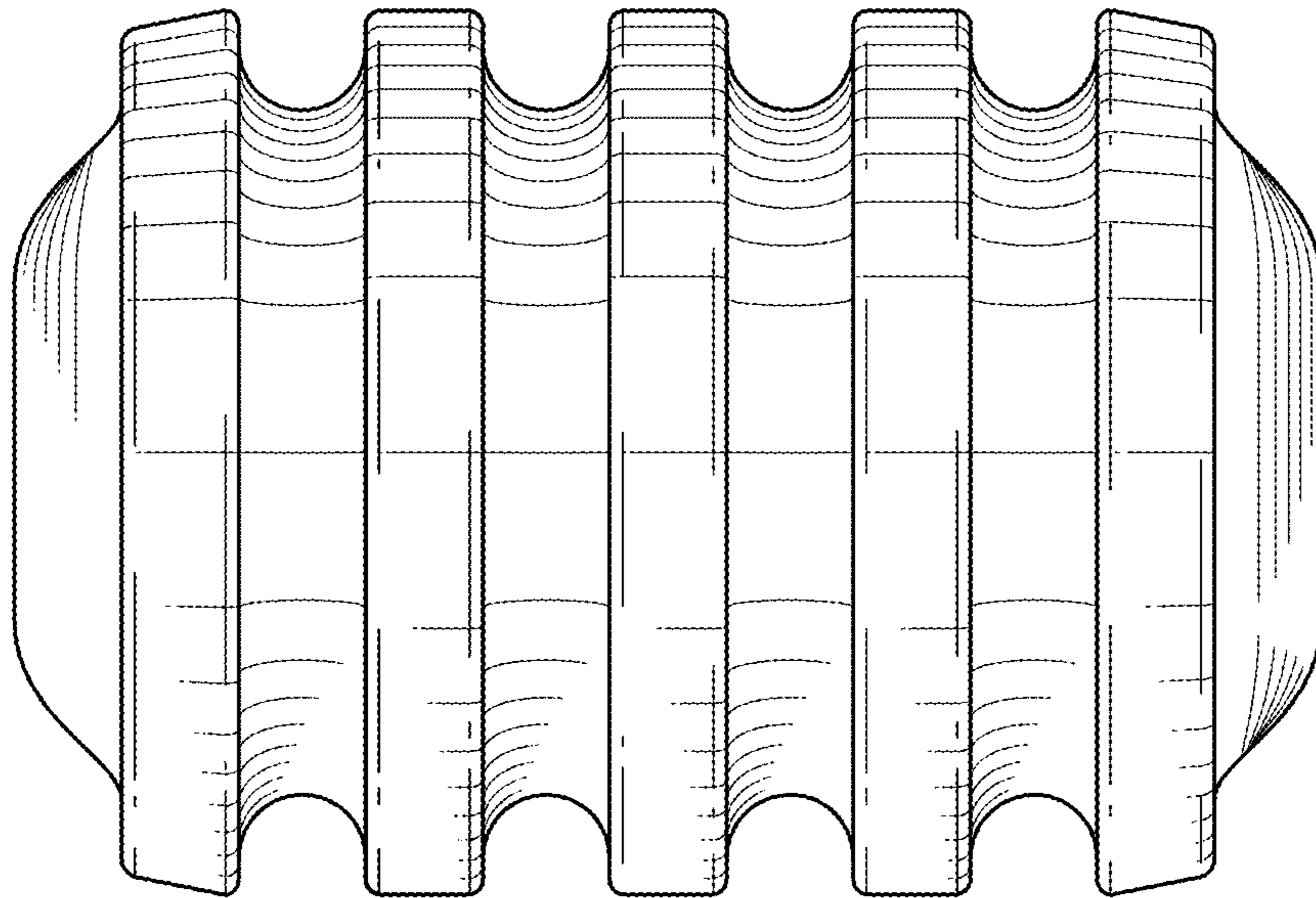


FIG. 3

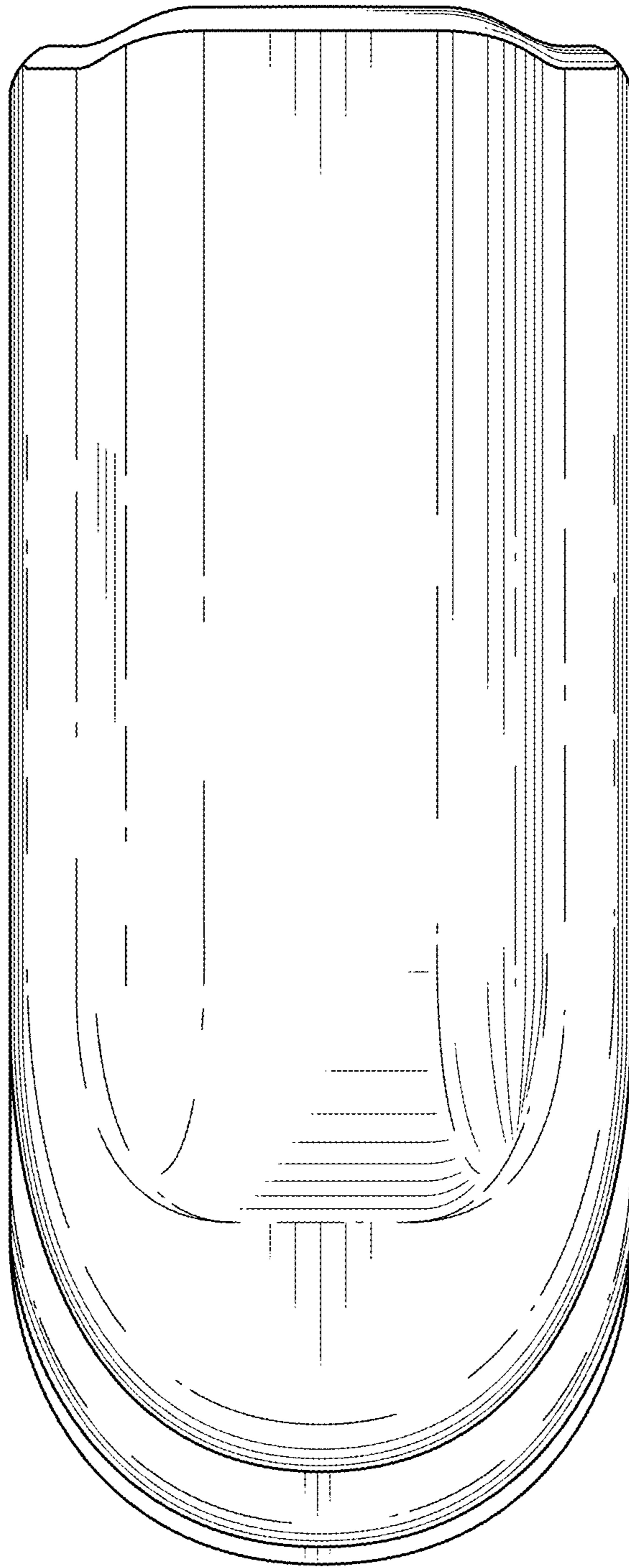


FIG. 5

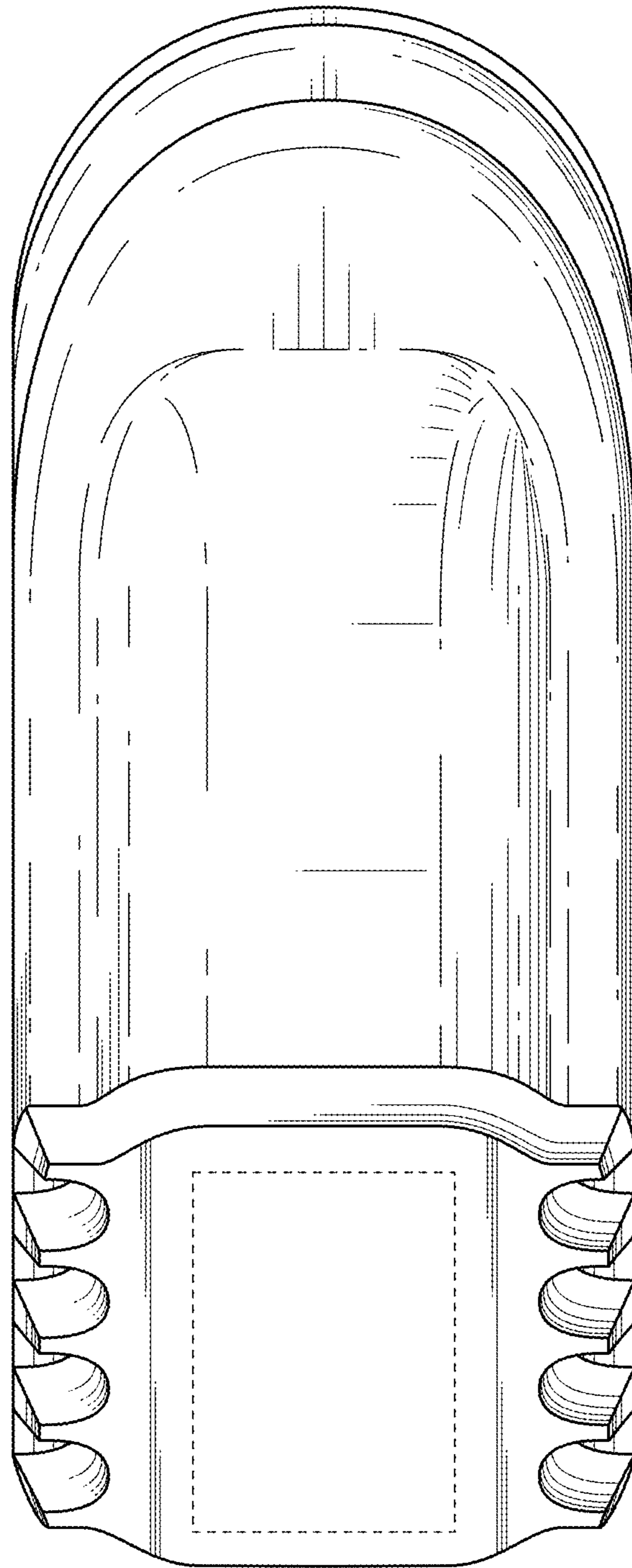


FIG. 6

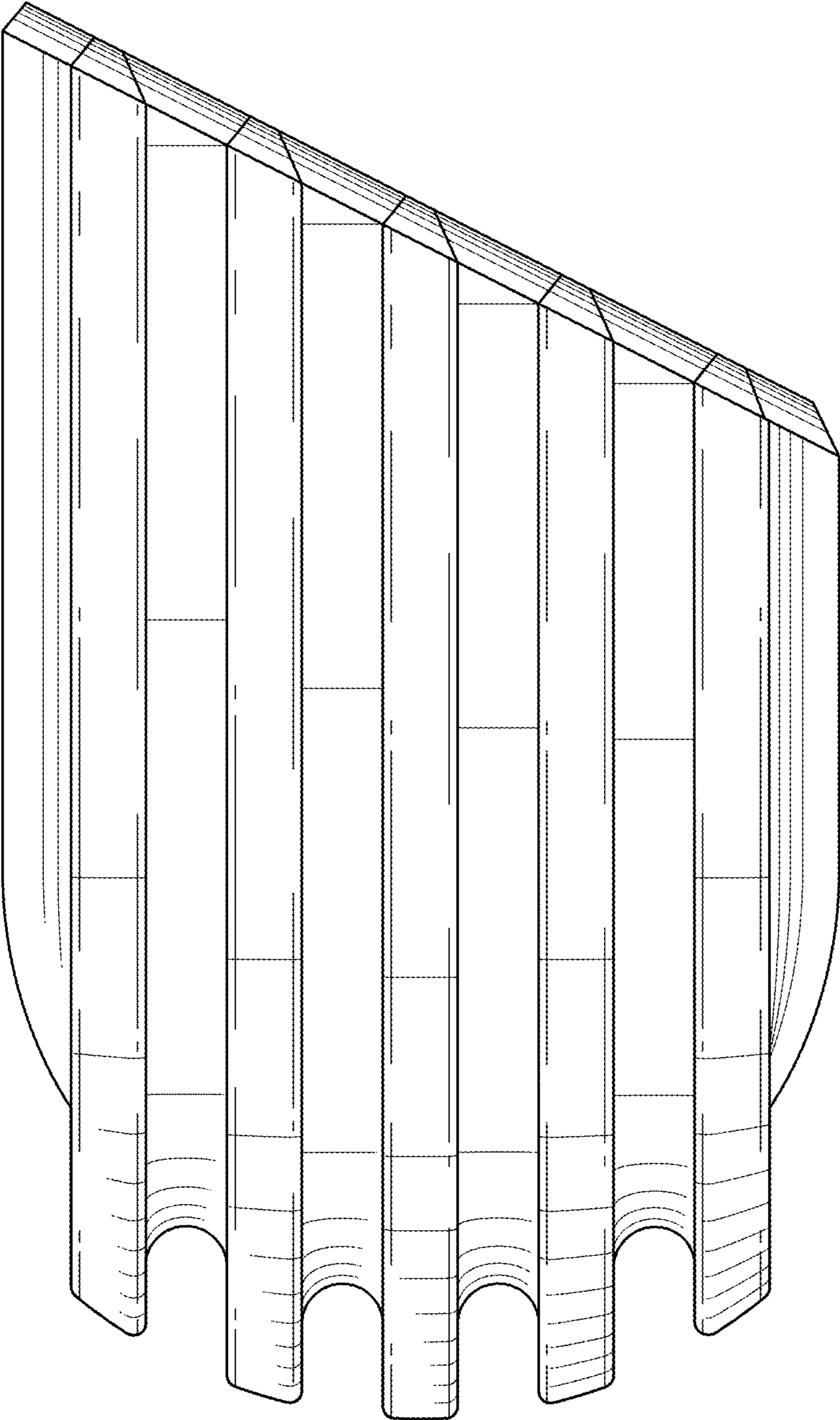


FIG. 7



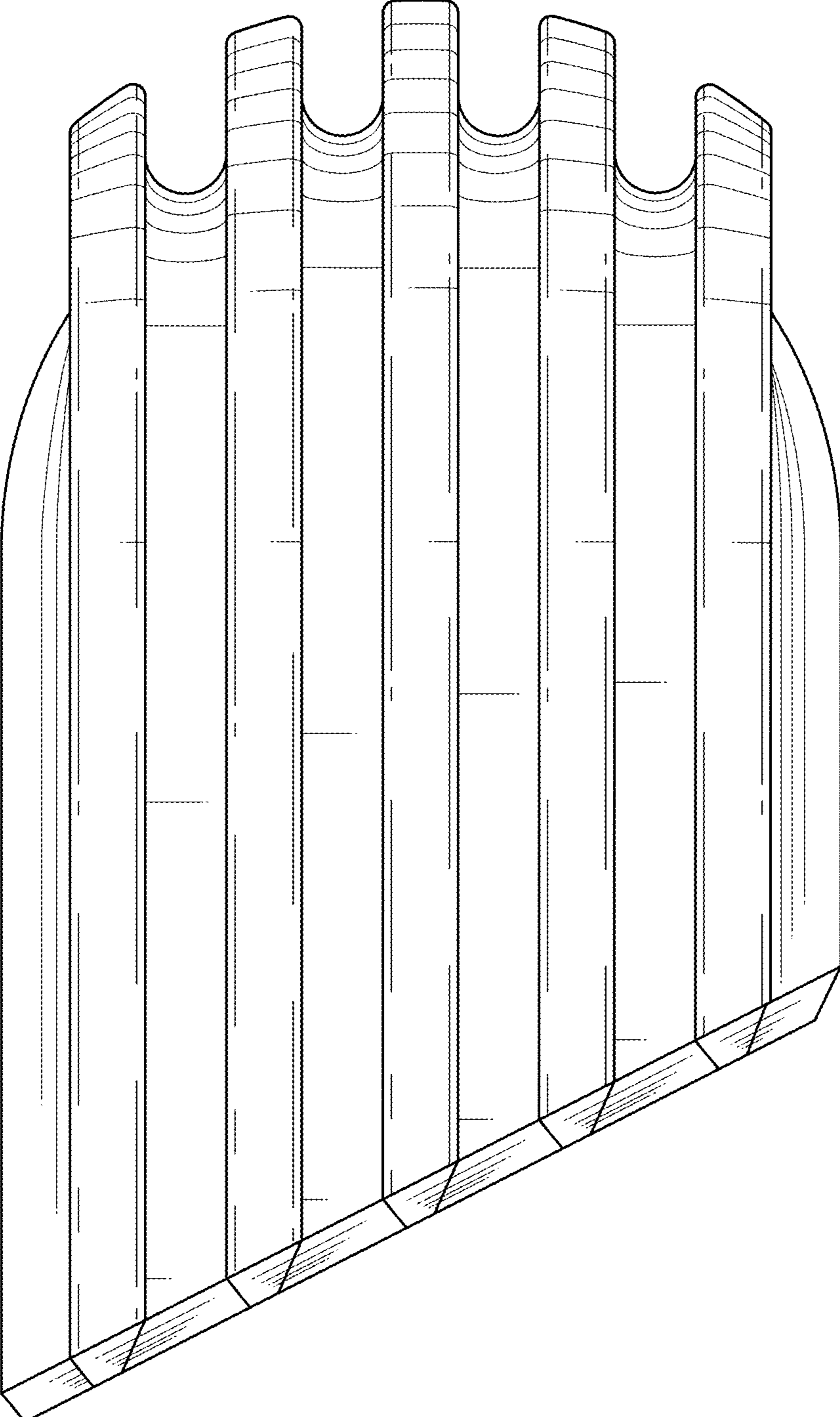


FIG. 8