



US00D810508S

(12) **United States Design Patent** (10) **Patent No.:** **US D810,508 S**  
**Lee et al.** (45) **Date of Patent:** **\*\* Feb. 20, 2018**

(54) **DISPLAY DEVICE**

(71) Applicant: **Dot Design Group Pty Limited**, Kings Cross (AU)

(72) Inventors: **Seunghyoun Lee**, Kings Cross (AU);  
**Leonard Velich**, Kings Cross (AU);  
**Thomas Ryan**, Kings Cross (AU)

(73) Assignee: **Dot Design Group Pty Limited**, Kings Cross (AU)

(\*\*) Term: **15 Years**

(21) Appl. No.: **29/582,839**

(22) Filed: **Oct. 31, 2016**

(51) **LOC (11) Cl.** ..... **07-99**

(52) **U.S. Cl.**  
USPC ..... **D7/397; D7/398**

(58) **Field of Classification Search**  
USPC ..... D7/308, 398; D20/22, 40; D22/19;  
D28/64.1, 64.6, 76, 78  
CPC ..... B67D 2001/0087  
See application file for complete search history.

(56) **References Cited**

**U.S. PATENT DOCUMENTS**

D301,672 S \* 6/1989 Schechter ..... D7/308  
D370,386 S \* 6/1996 Pallesen ..... D20/22

D666,869 S \* 9/2012 Martindale ..... D7/397  
D672,004 S \* 12/2012 Stracener ..... D22/108  
D717,592 S \* 11/2014 Bond ..... D7/397

\* cited by examiner

*Primary Examiner* — Daniel D Bui

*Assistant Examiner* — Andrew Kerr

(74) *Attorney, Agent, or Firm* — Cooper & Dunham LLP

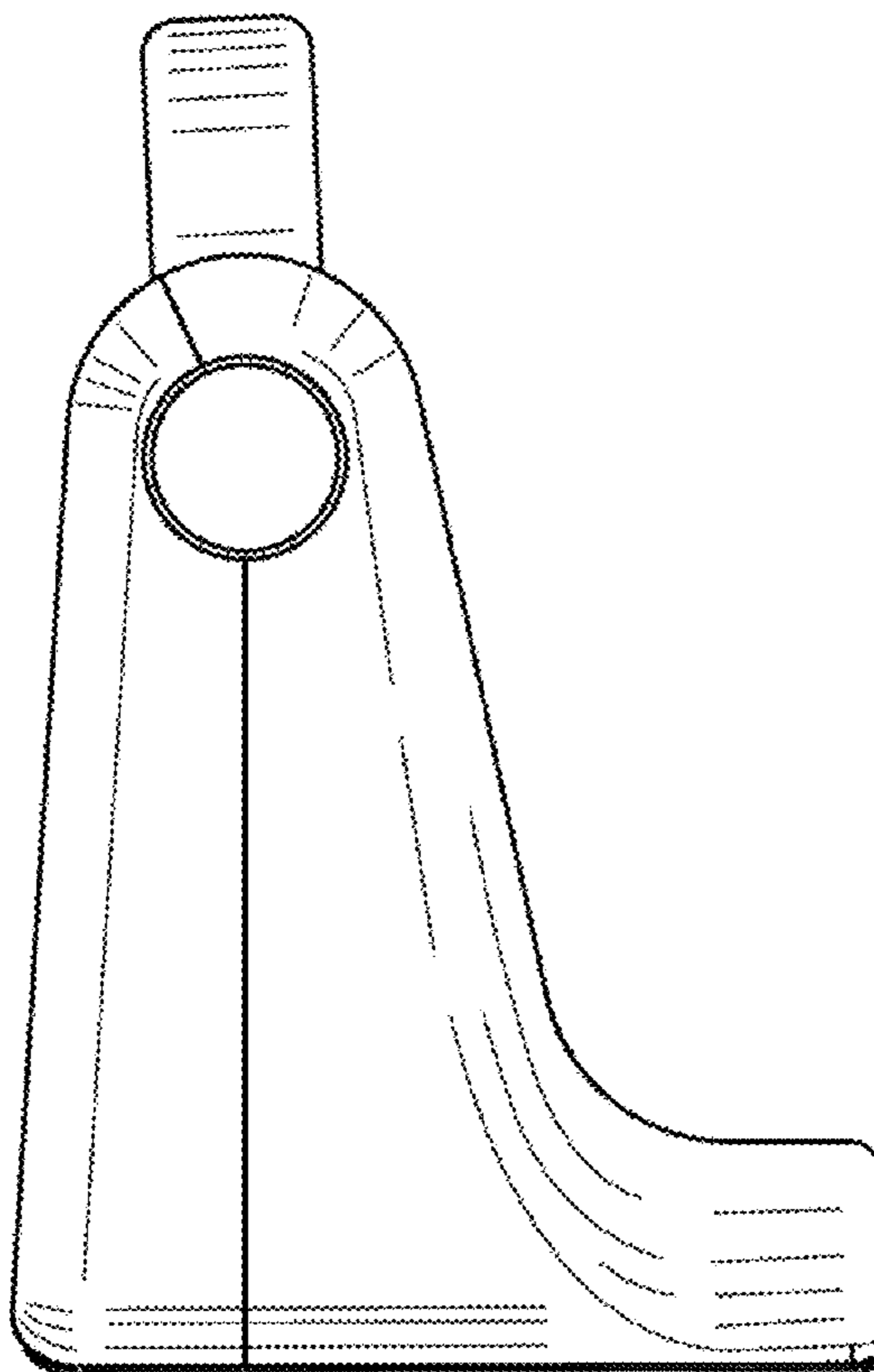
(57) **CLAIM**

The ornamental design for a display device, as shown and described.

**DESCRIPTION**

FIG. 1 is a right side view of a display device in accordance with the present design;  
FIG. 2 is a left side view thereof;  
FIG. 3 is a top view thereof;  
FIG. 4 is bottom view thereof;  
FIG. 5 is a back view thereof;  
FIG. 6 is a front view thereof;  
FIG. 7 is a back perspective view thereof; and,  
FIG. 8 is a front perspective view thereof.  
The broken lines in the drawing views represent unclaimed portions of a display device which are included for the purpose of illustrating unclaimed environment only, and forms no part of the claimed design.

**1 Claim, 8 Drawing Sheets**



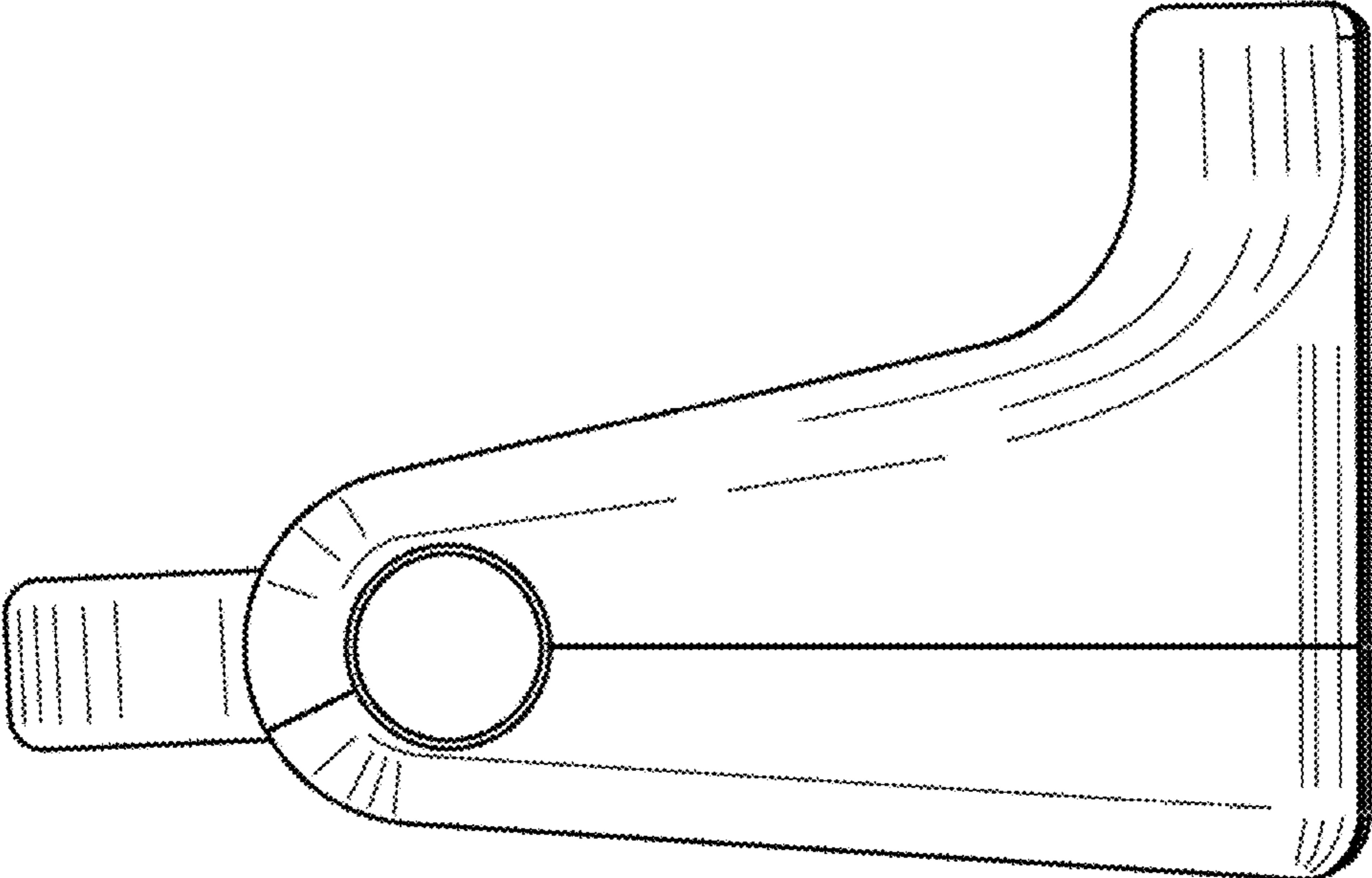


Fig. 1

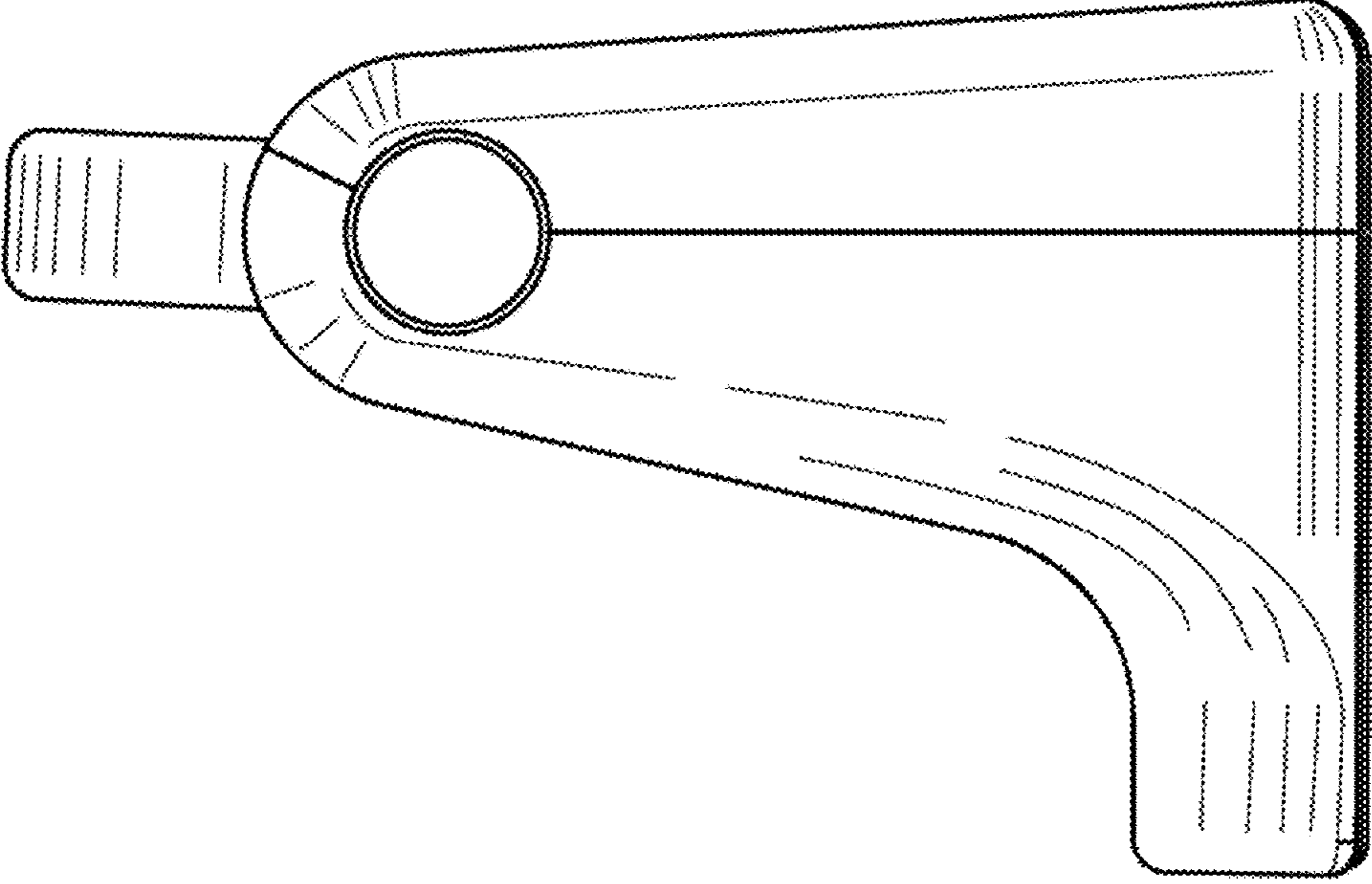


Fig. 2

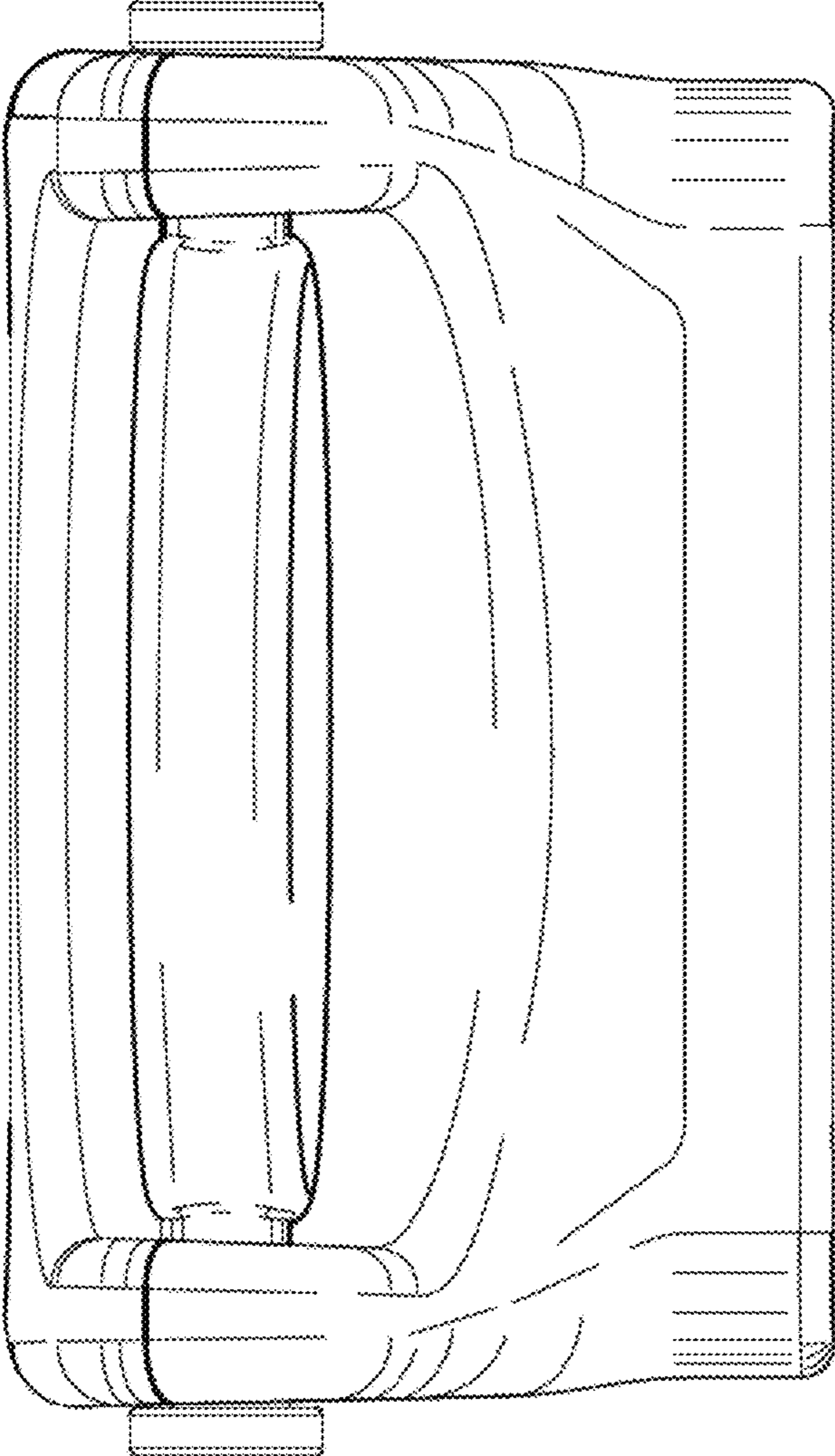


Fig. 3

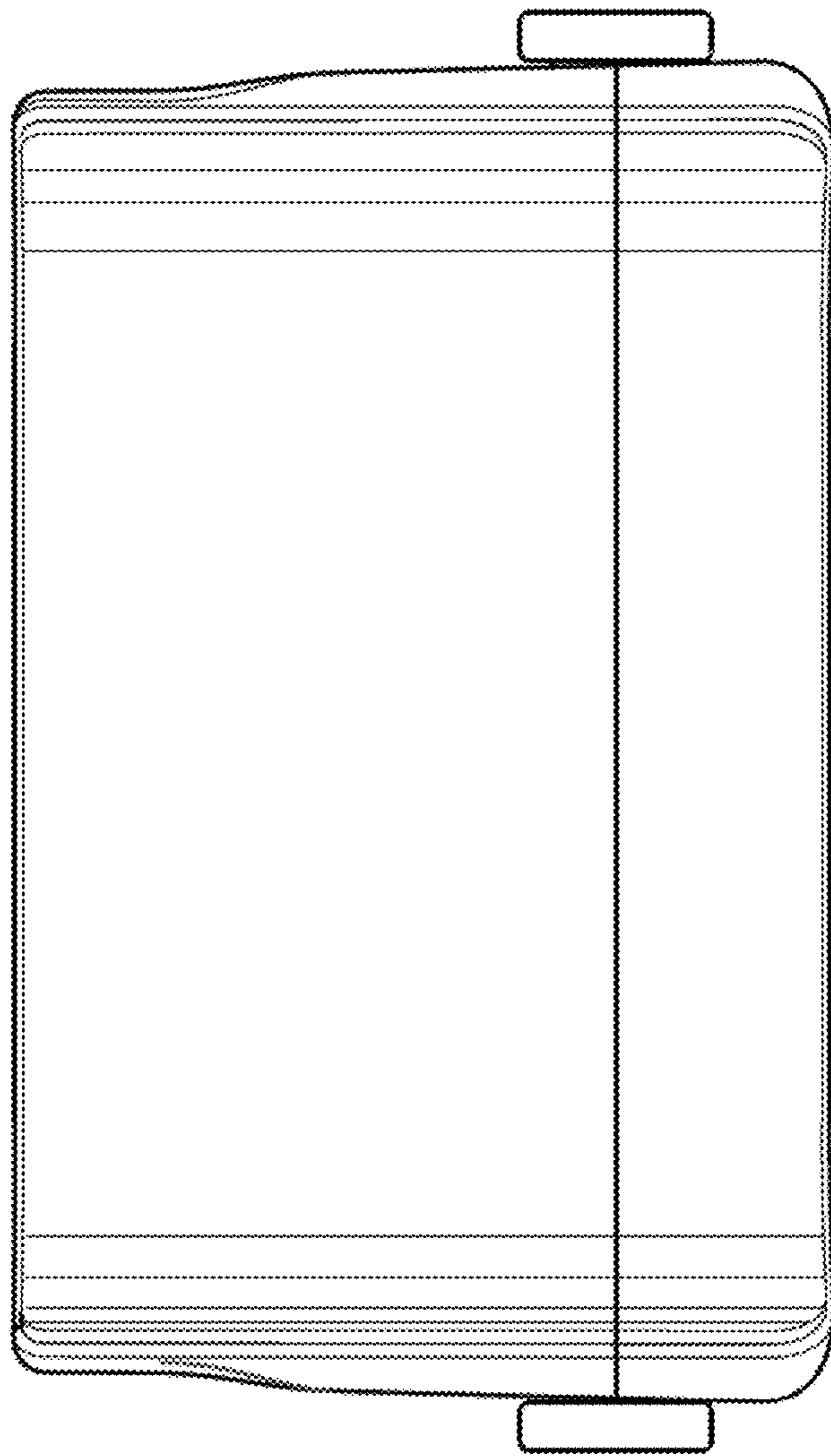


Fig. 4

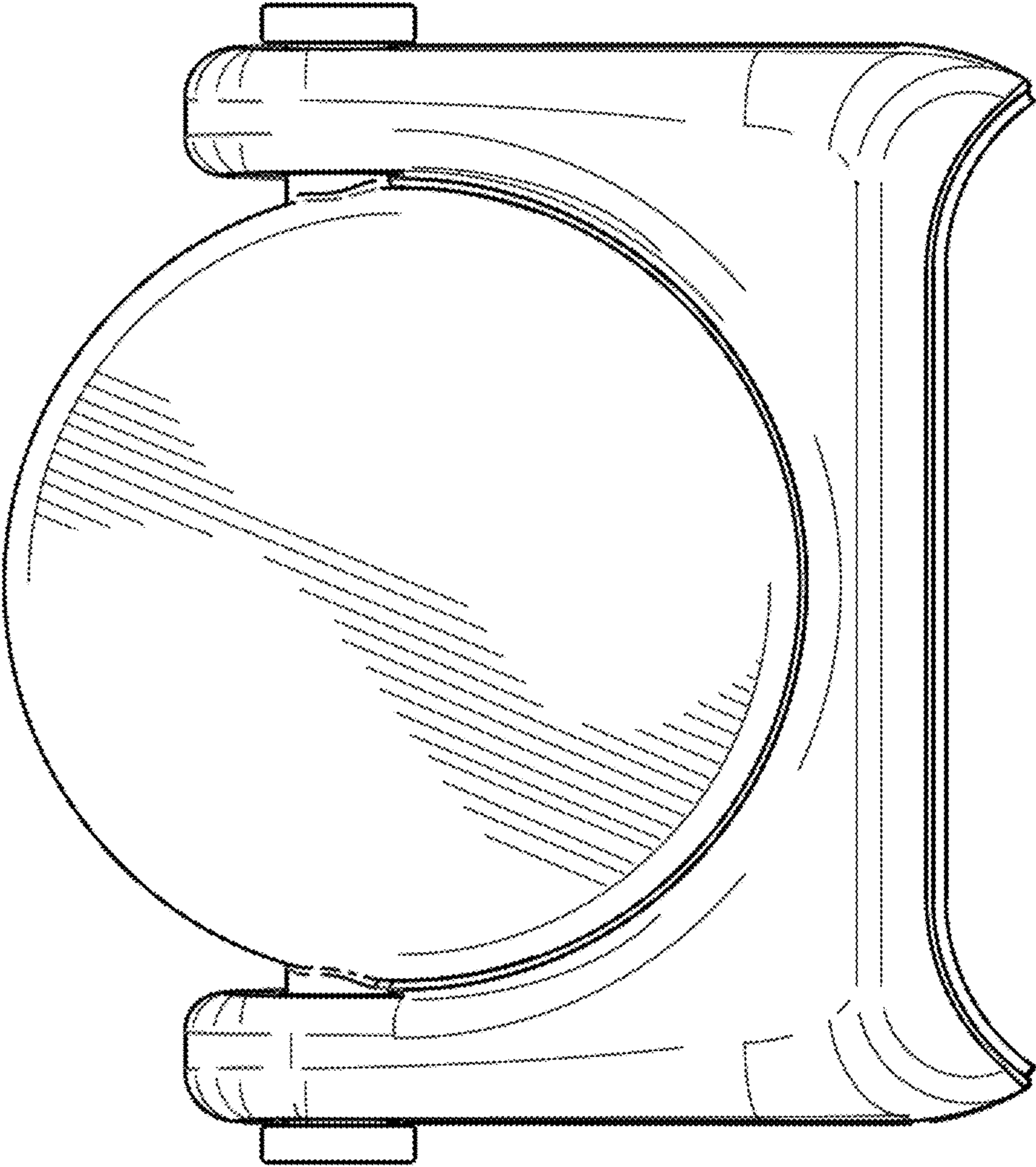


Fig. 5

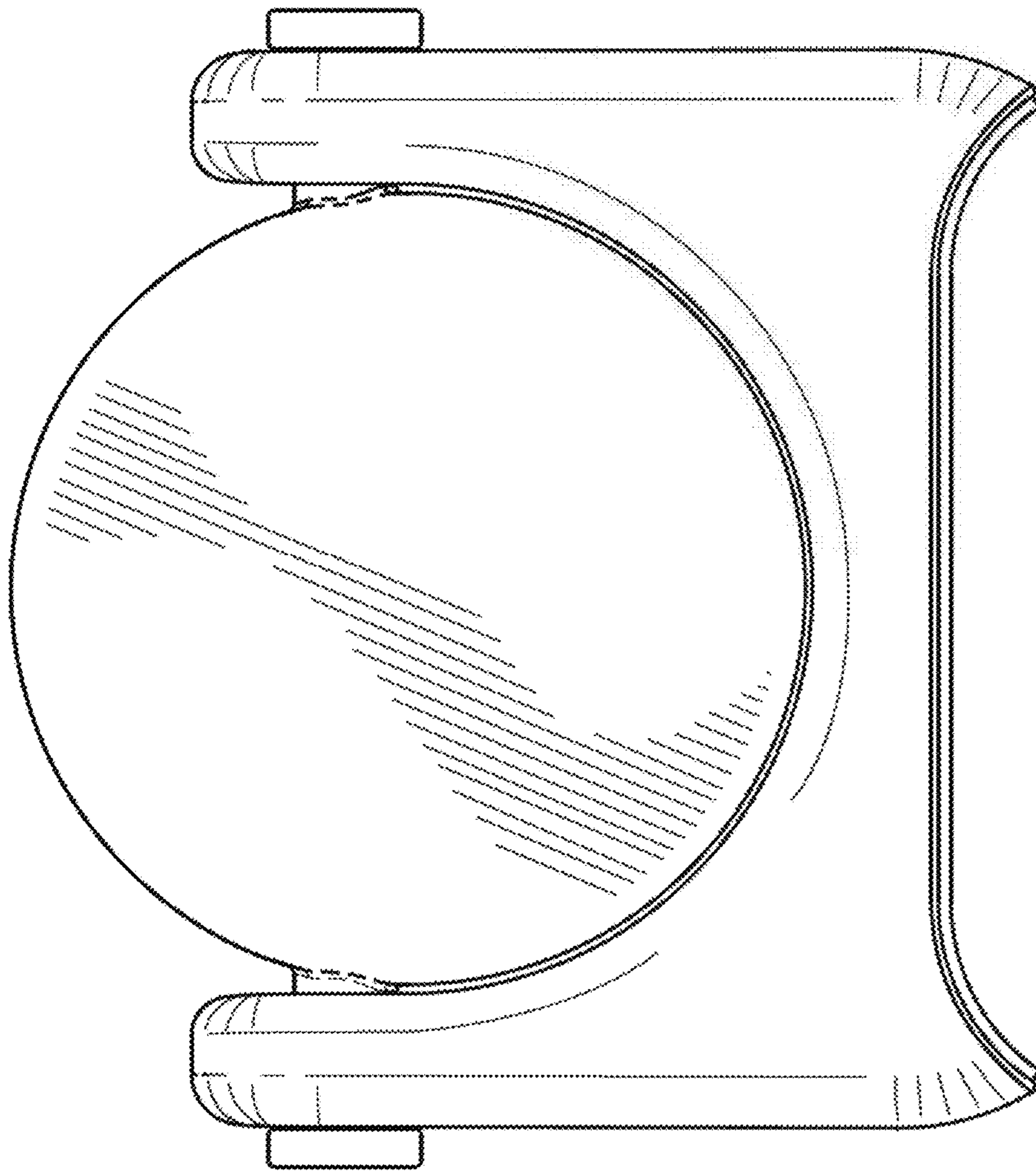


Fig. 6

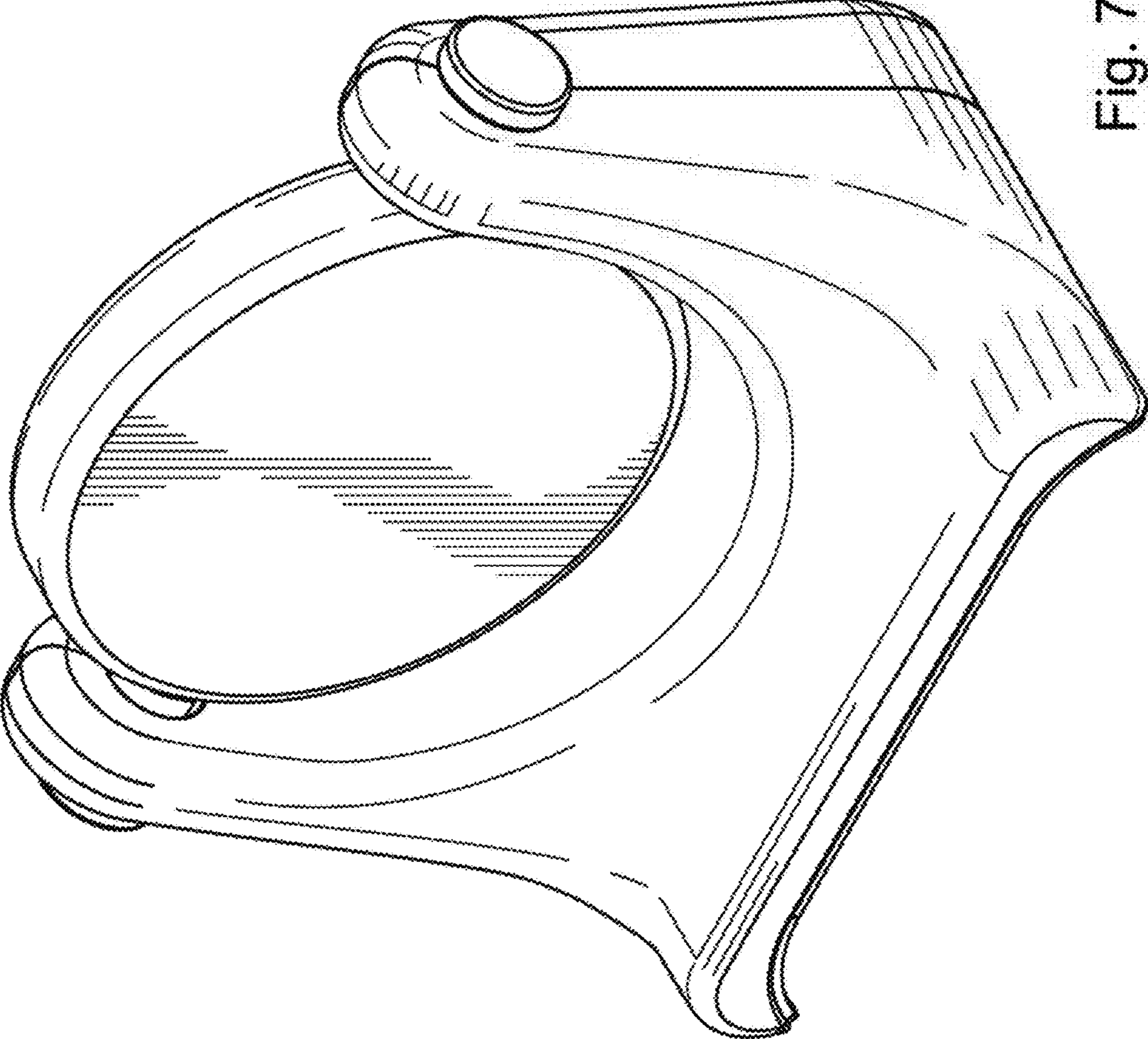


Fig. 7



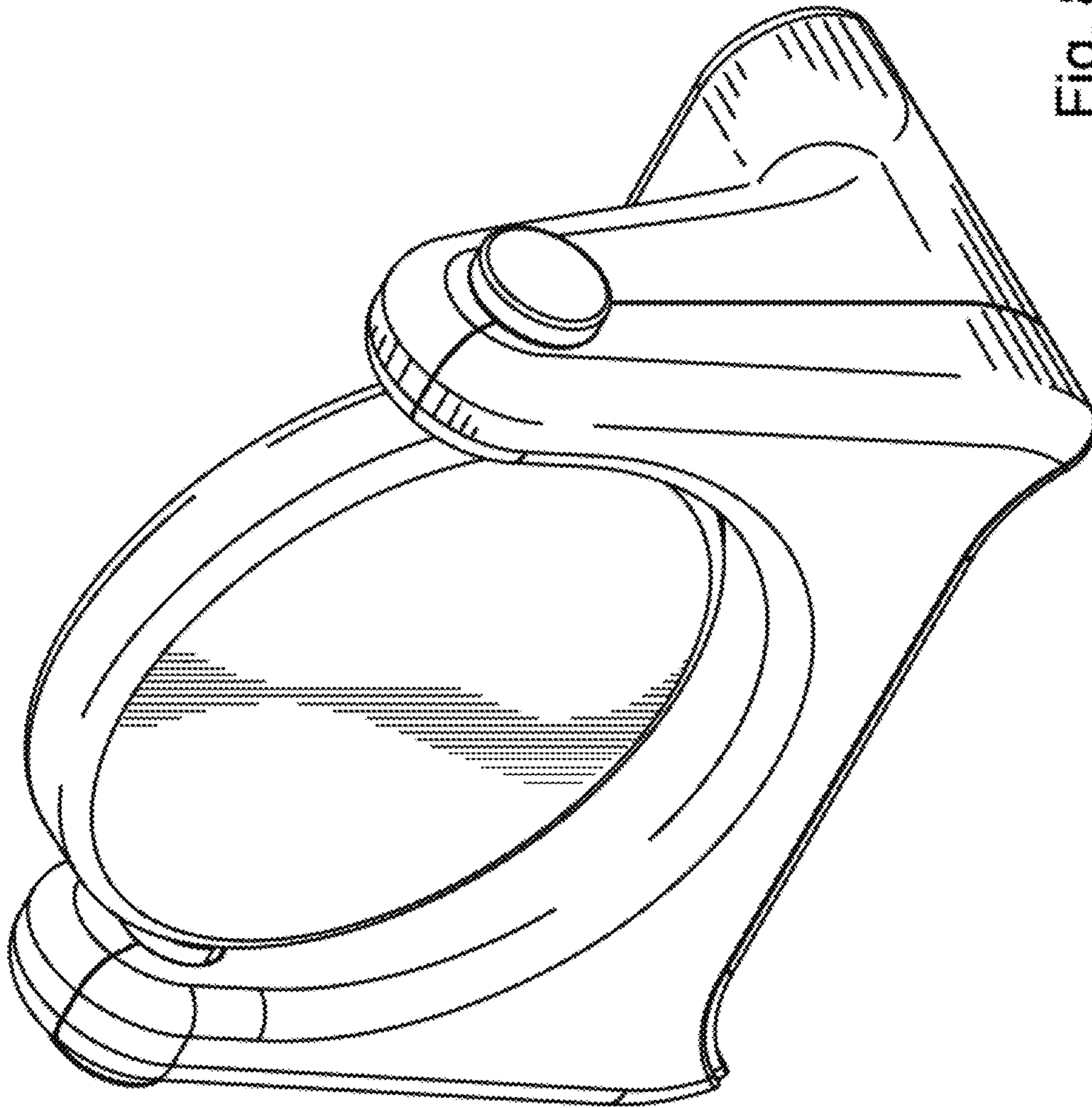


Fig. 8