



US00D810506S

(12) **United States Design Patent**
Erickson et al.

(10) **Patent No.:** **US D810,506 S**

(45) **Date of Patent:** **** Feb. 20, 2018**

(54) **STRAW LID**

(71) Applicant: **Xtreme Canteen, LLC**, Honolulu, HI (US)

(72) Inventors: **Michael Erickson**, Honolulu, HI (US);
Rochelle Erickson, Honolulu, HI (US)

(**) Term: **15 Years**

(21) Appl. No.: **29/554,065**

(22) Filed: **Feb. 8, 2016**

(51) **LOC (11) Cl.** **07-99**

(52) **U.S. Cl.**
USPC **D7/396.2**

(58) **Field of Classification Search**
USPC ... D7/396.2, 392.1, 509-511, 513, 533, 536,
D7/586, 301-303, 619.1; D9/523-525,
D9/528-529, 531, 536, 544, 435-436,
D9/439-440, 443, 447, 449; D3/202, 215
CPC A47G 19/22; A47G 19/2205; A47G
19/2272; B65D 2543/00046; B65D
2543/00027; B65D 2543/00055; B65D
2543/00009; B65D 2539/00; B65D 39/00;
B65D 41/00; B65D 43/00; B65D 43/02;
B65D 43/0225; B65D 43/0233; B65D
43/06; B65D 43/12; B65D 47/06; B65D
47/061; B65D 47/065; B65D 47/08;
B65D 41/02; B65D 41/023; B65D 41/04

See application file for complete search history.

(56) **References Cited**

U.S. PATENT DOCUMENTS

D334,341 S *	3/1993	Brown	D7/312
D408,684 S *	4/1999	Helm	D7/510
D632,176 S *	2/2011	McKinney	D9/450
D634,161 S *	3/2011	Roth	D7/510
D649,879 S *	12/2011	Gullickson	D9/443
D652,256 S *	1/2012	Eyal	D7/510
D653,081 S *	1/2012	George	D7/316

D674,242 S *	1/2013	Eyal	D7/510
8,376,173 B2 *	2/2013	Britto	A47G 19/2266 206/217
D685,606 S *	7/2013	Keys	D7/392.1

(Continued)

OTHER PUBLICATIONS

Hydro Flask Wide Mouth Straw Lid, posted at Amazon.com, posted on Aug. 16, 2016, site visited Dec. 23, 2016, <<https://www.amazon.com/Hydro-Flask-Wide-Mouth-Straw/dp/B01GW2HALG>>.*
Fall '16 Collection, posted at Xtremecanteen.com, no posting date given, site visited Dec. 23, 2016, <<http://www.xtremecanteen.com/pre-order-new/>>.*

(Continued)

Primary Examiner — Barbara Fox

Assistant Examiner — Messina L Smith

(74) *Attorney, Agent, or Firm* — Roland J. Tong

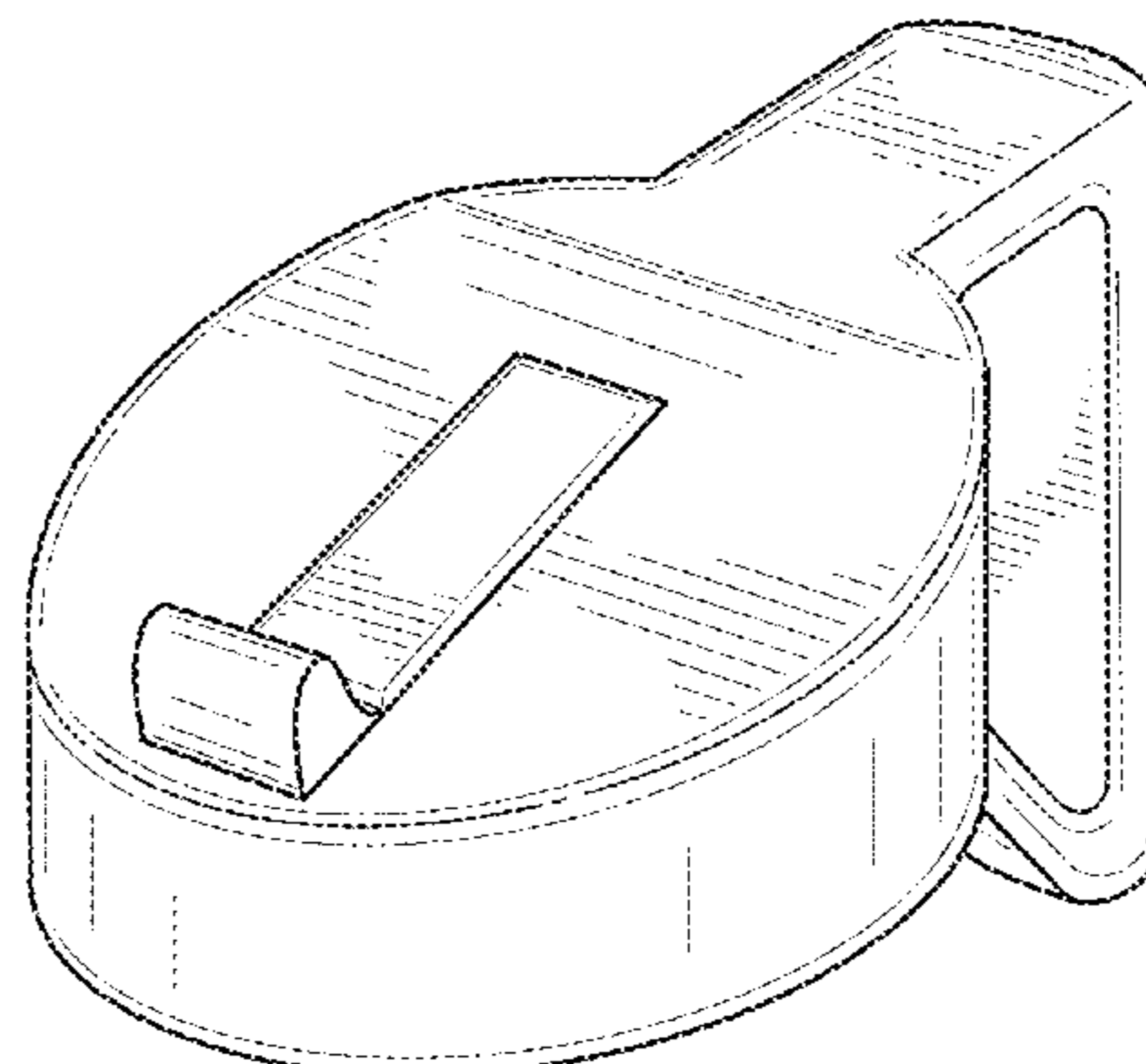
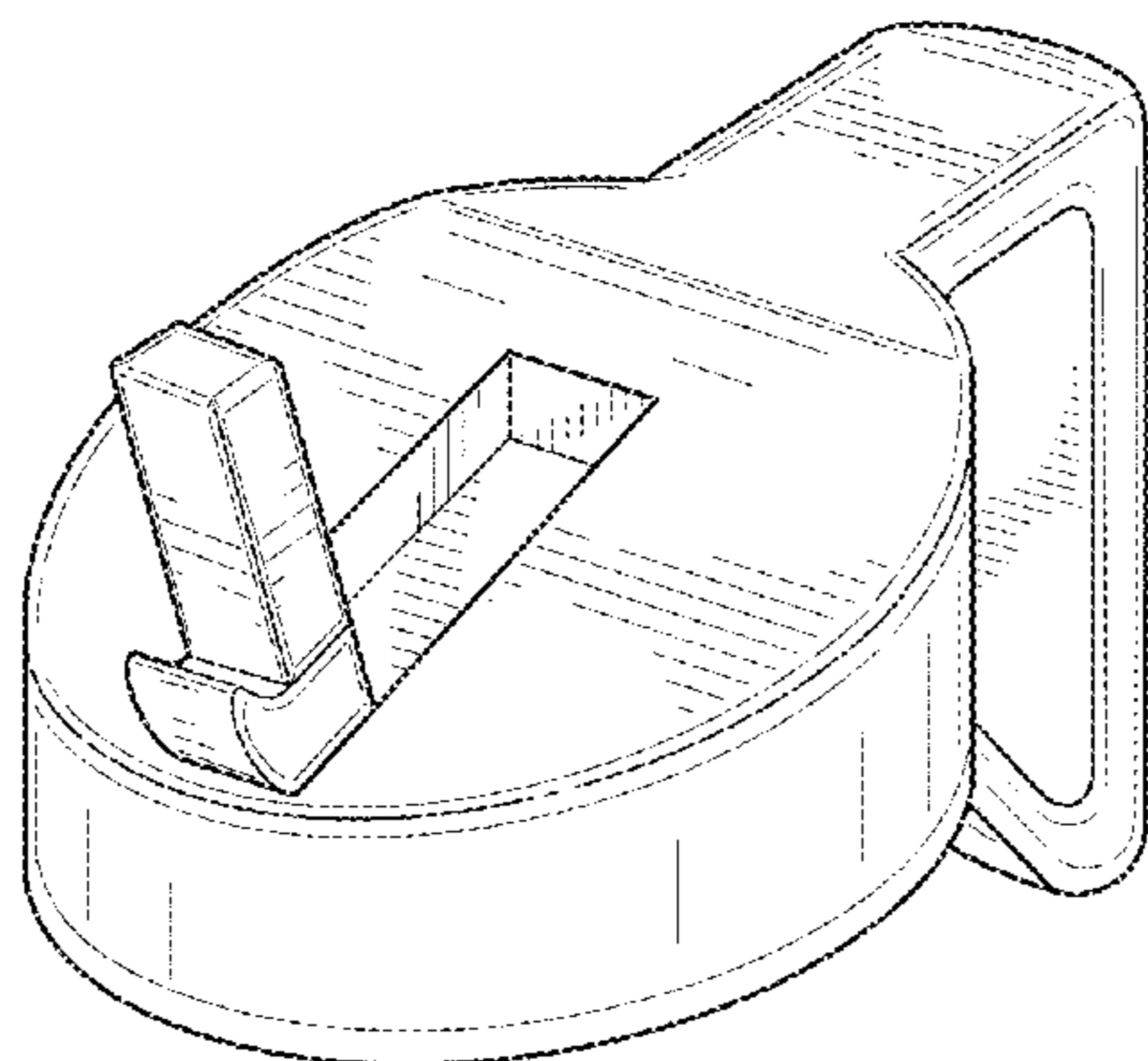
(57) **CLAIM**

The ornamental design for a straw lid, as shown and described.

DESCRIPTION

FIG. 1 is a perspective view of a straw lid showing our new design, with a straw member in an extended position. FIG. 2 is a front view of the straw lid of FIG. 1. FIG. 3 is a rear view of the straw lid of FIG. 1. FIG. 4 is a left side view of the straw lid of FIG. 1. FIG. 5 is a right side view of the straw lid of FIG. 1. FIG. 6 is a top plan view of the straw lid of FIG. 1. FIG. 7 is a bottom plan view of the straw lid of FIG. 1. FIG. 8 is a perspective view of the straw lid with the straw member in a flat position. FIG. 9 is a front view of the straw lid of FIG. 8. FIG. 10 is a rear view of the straw lid of FIG. 8. FIG. 11 is a left side view of the straw lid of FIG. 8. FIG. 12 is a right side view of the straw lid of FIG. 8. FIG. 13 is a top plan view of the straw lid of FIG. 8; and, FIG. 14 is a bottom plan view of the straw lid of FIG. 8. The broken lines in the drawings depict portions of the straw lid that form no part of the claimed design.

1 Claim, 14 Drawing Sheets



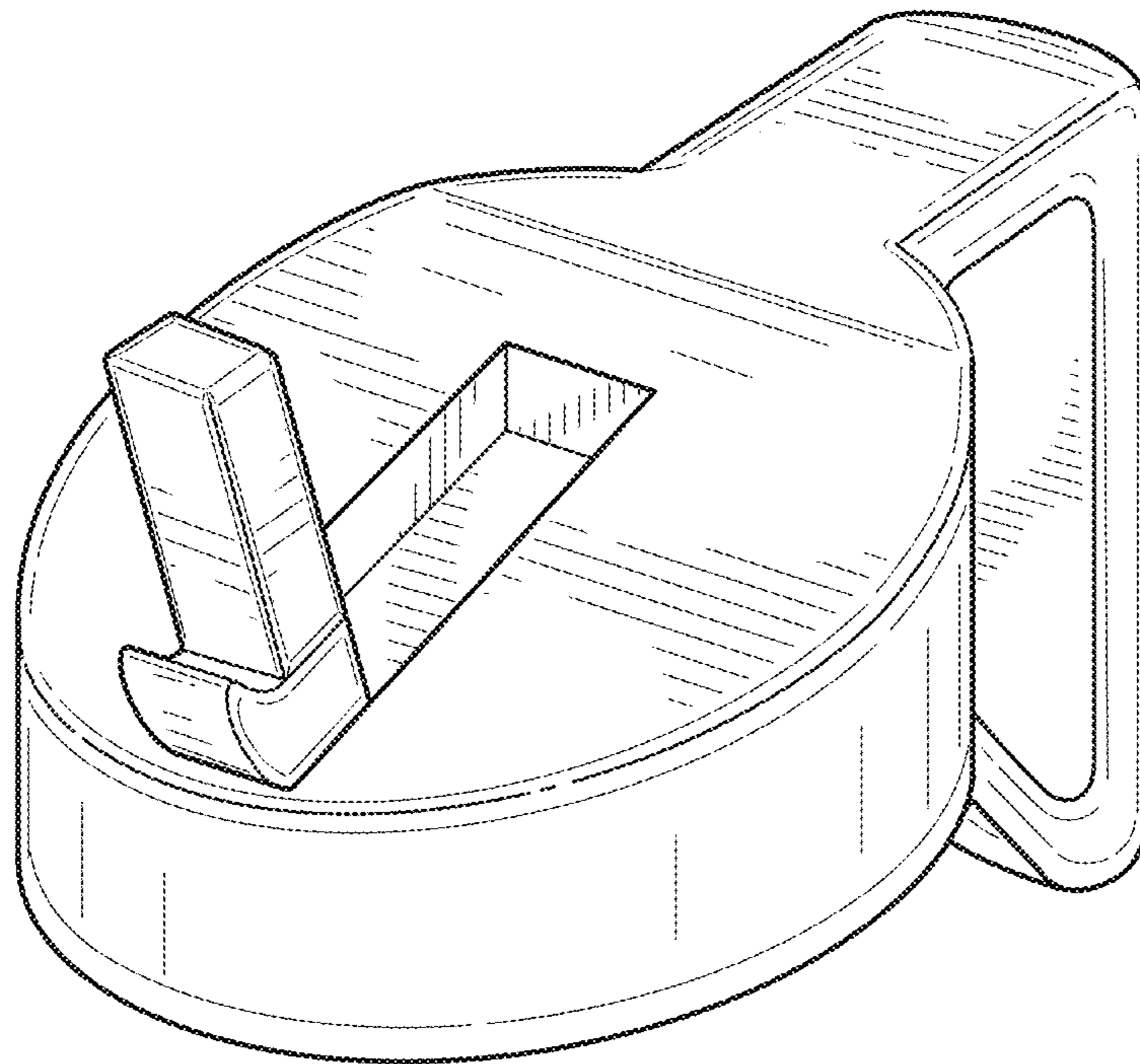


FIG. 1

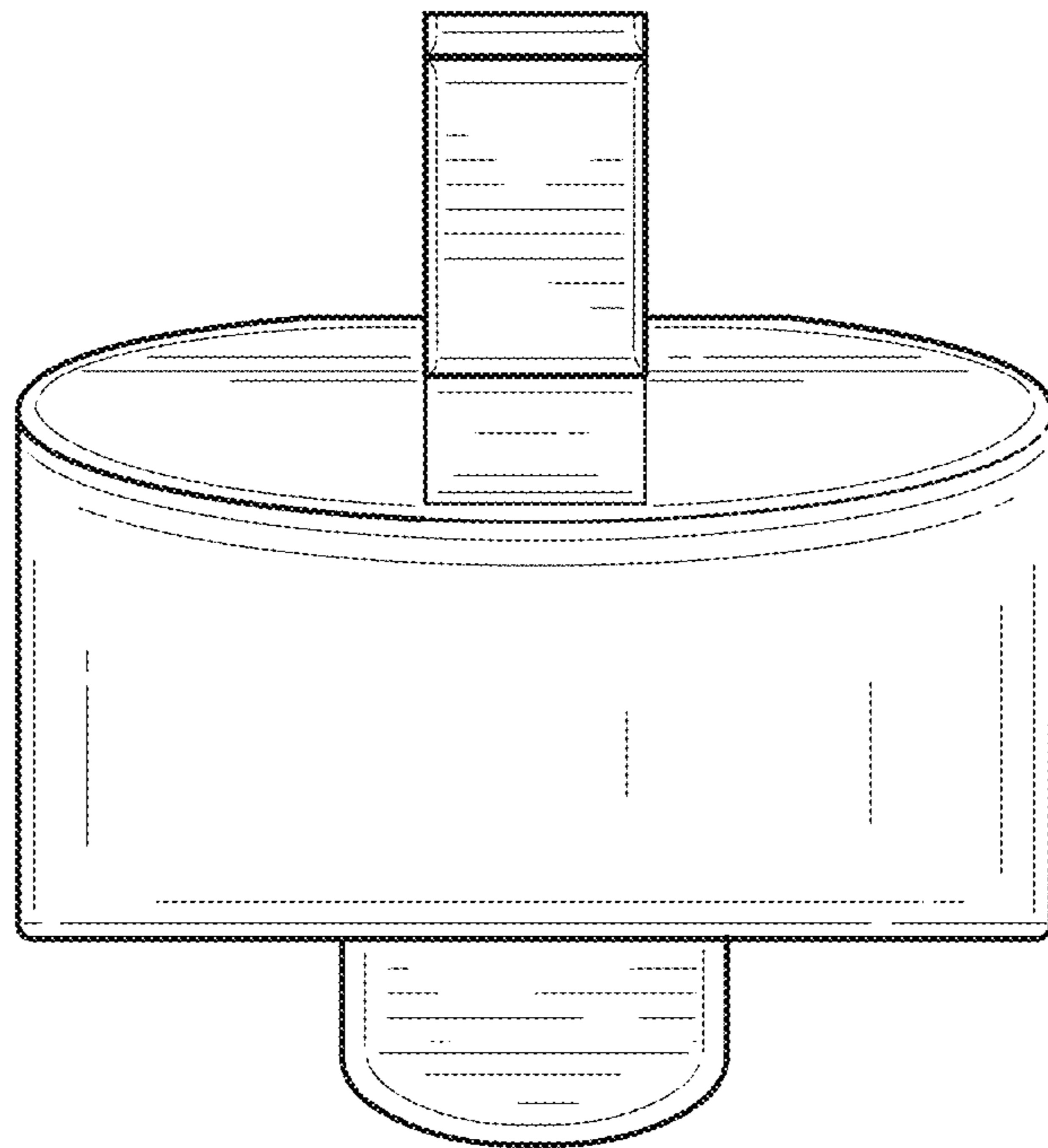


FIG. 2

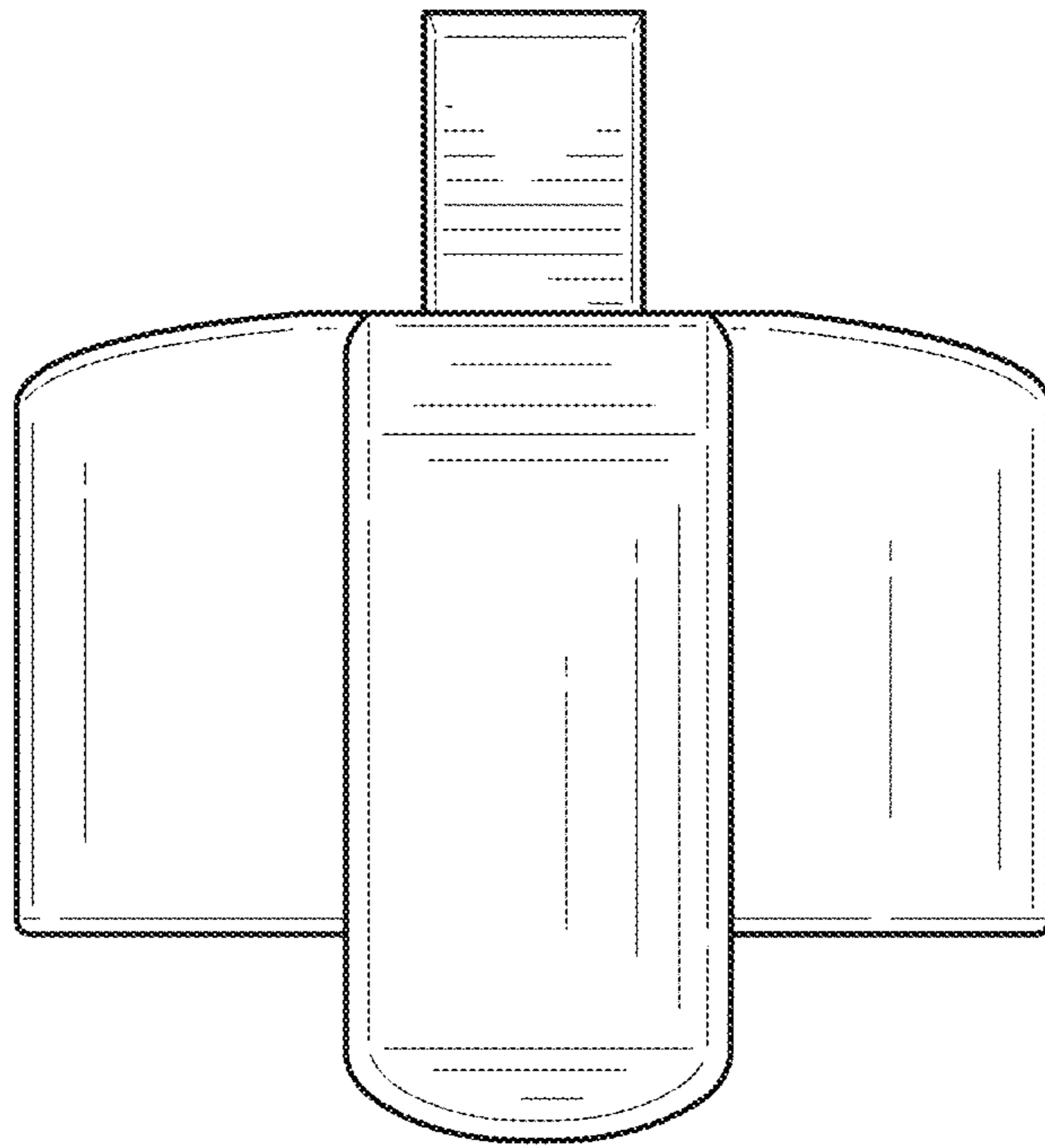


FIG. 3

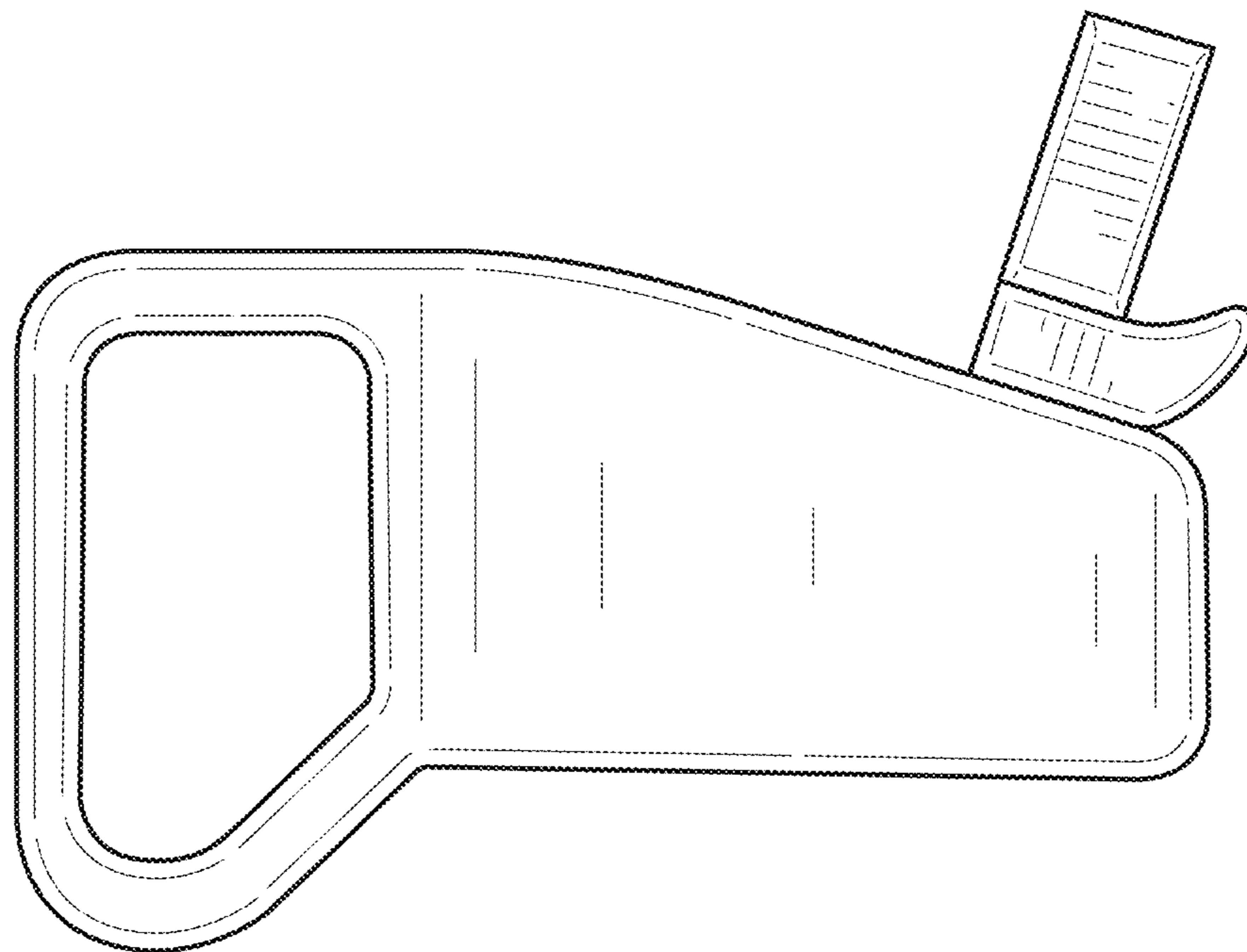


FIG. 4

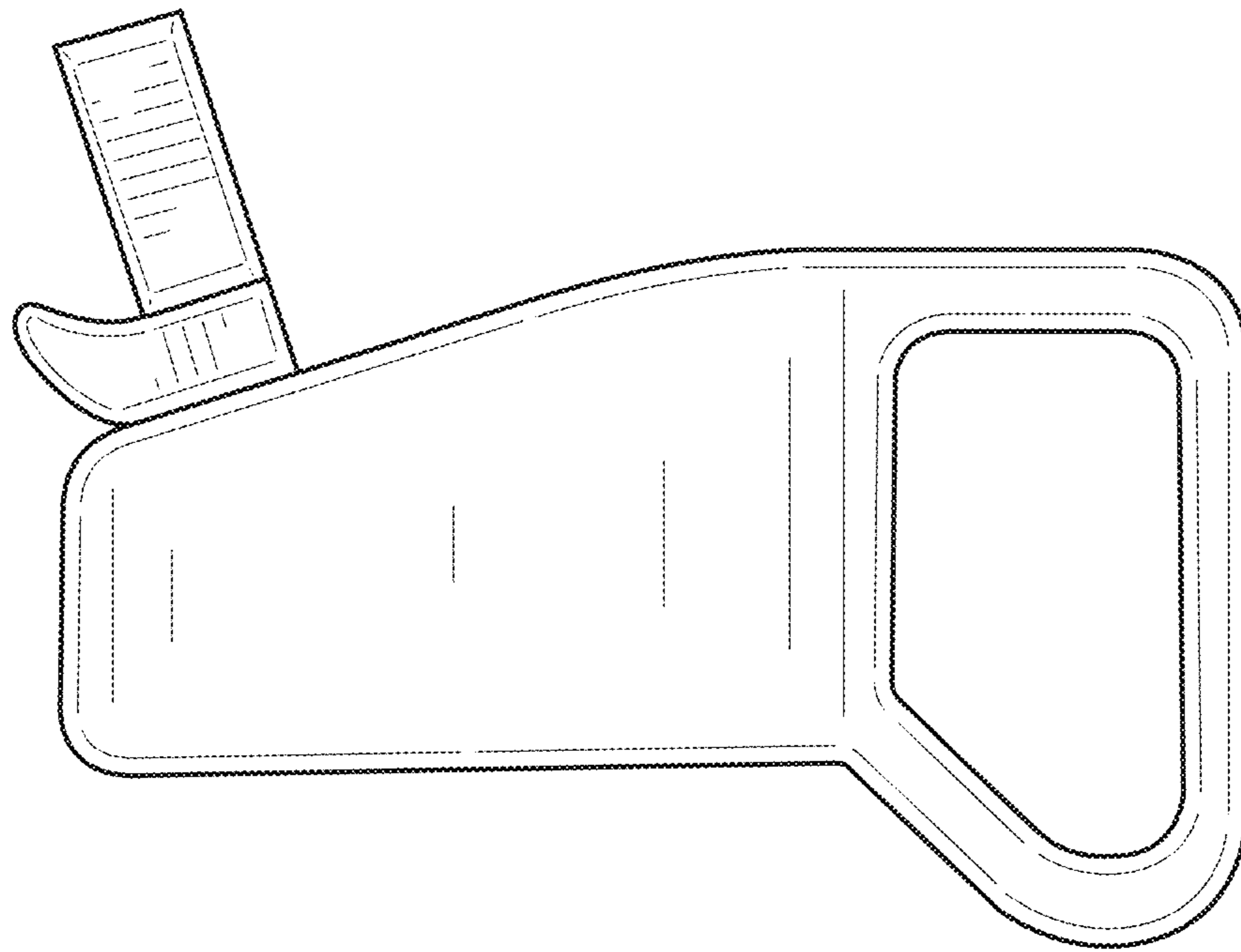


FIG. 5

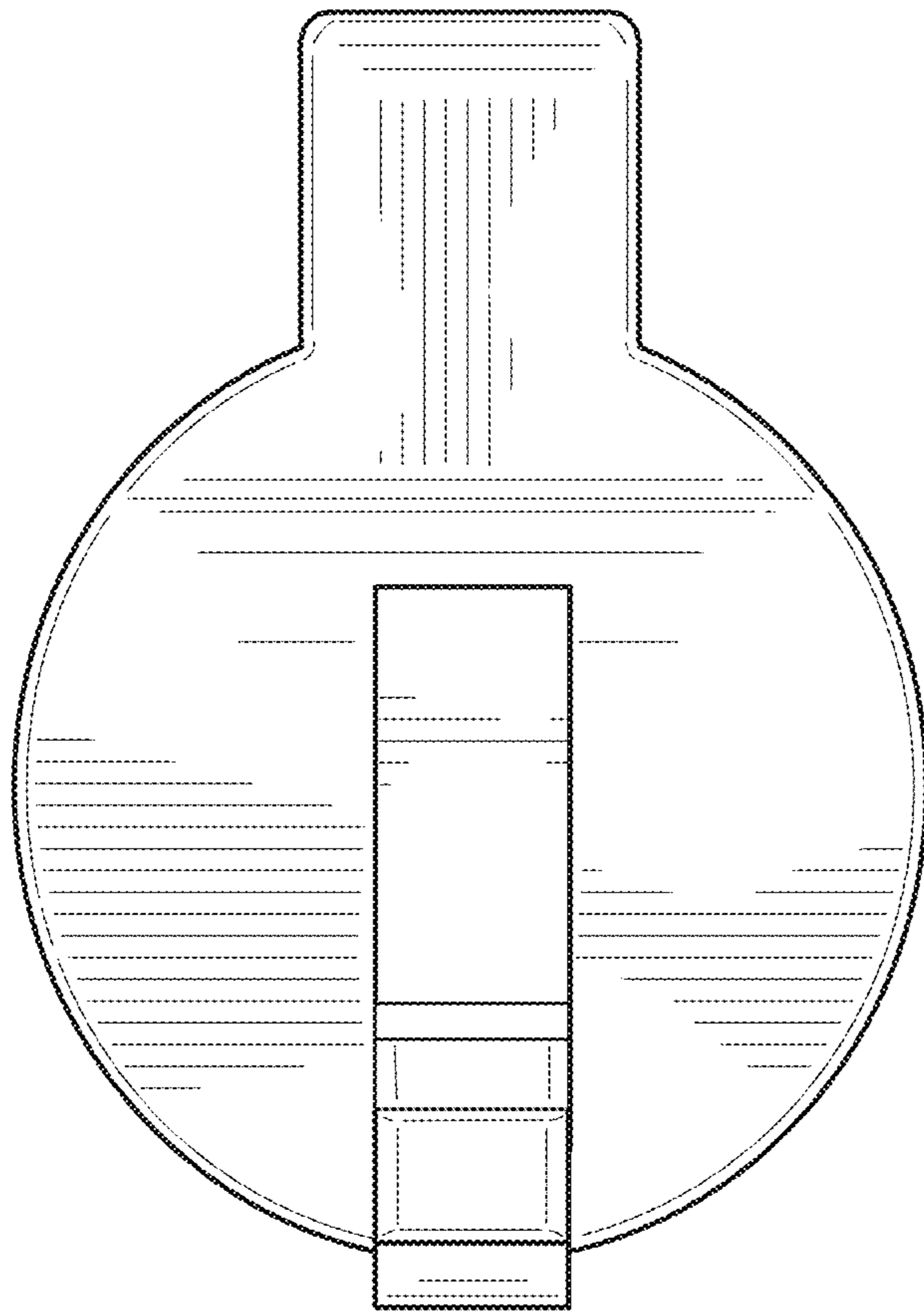


FIG. 6

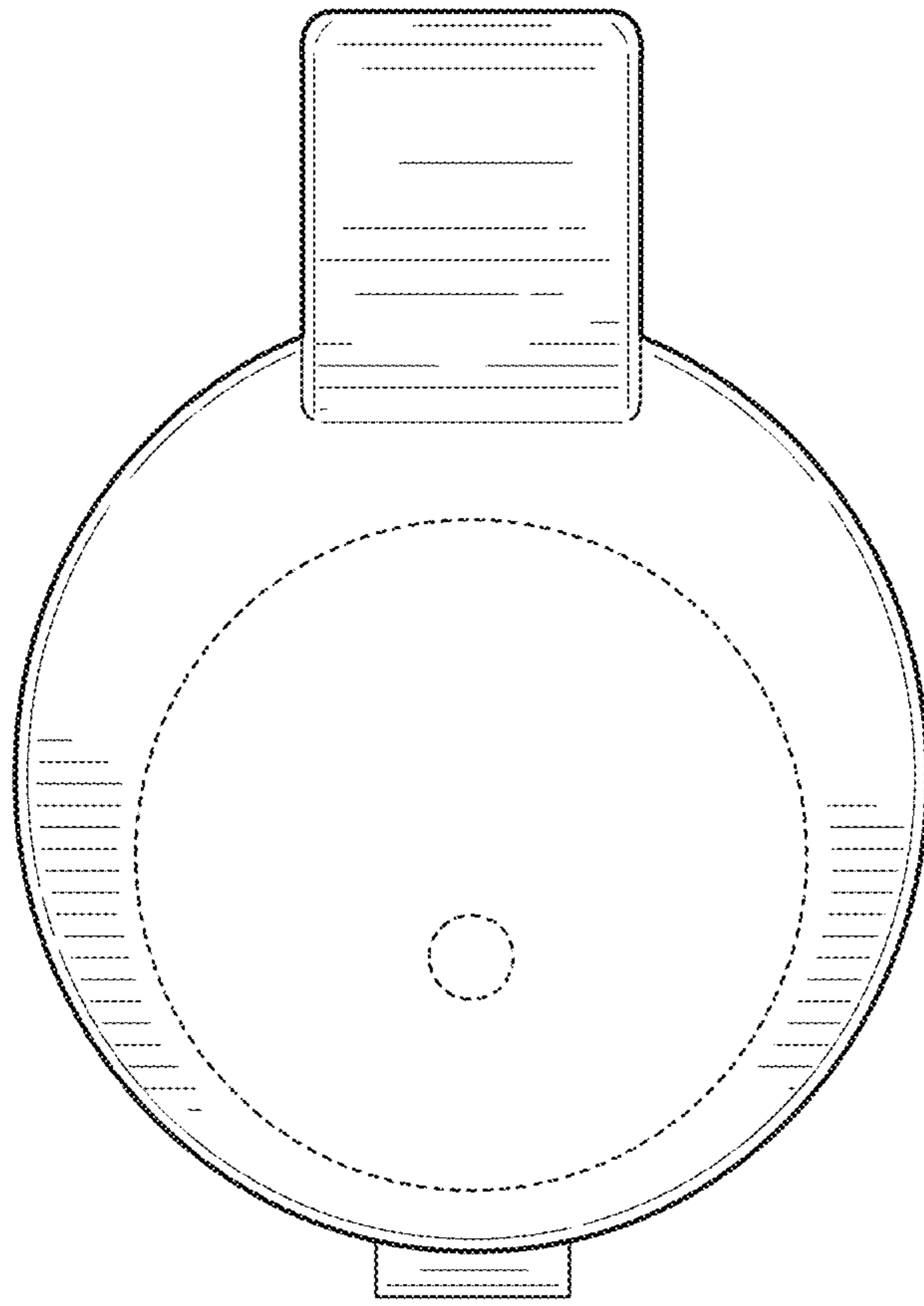


FIG. 7

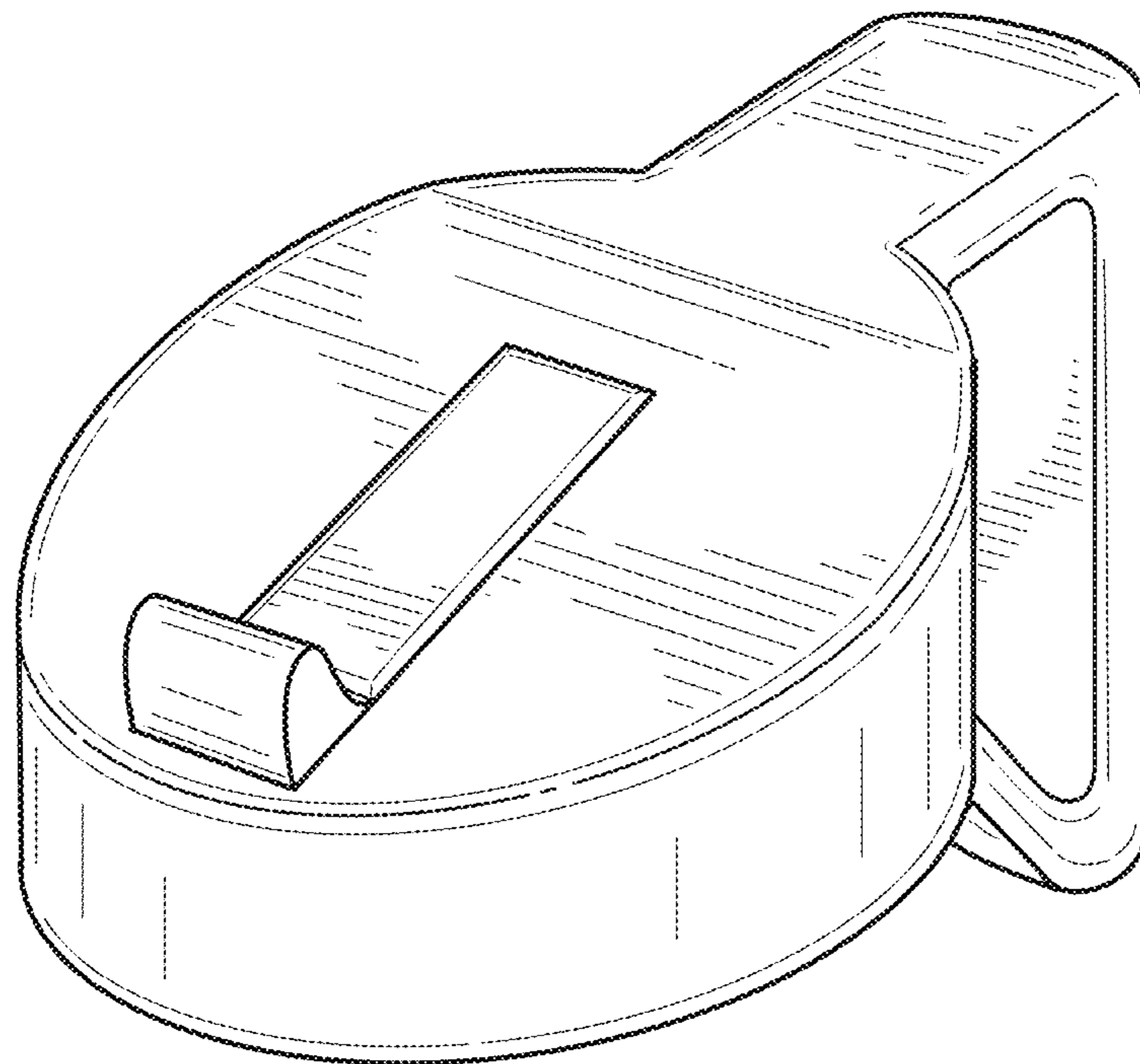


FIG. 8

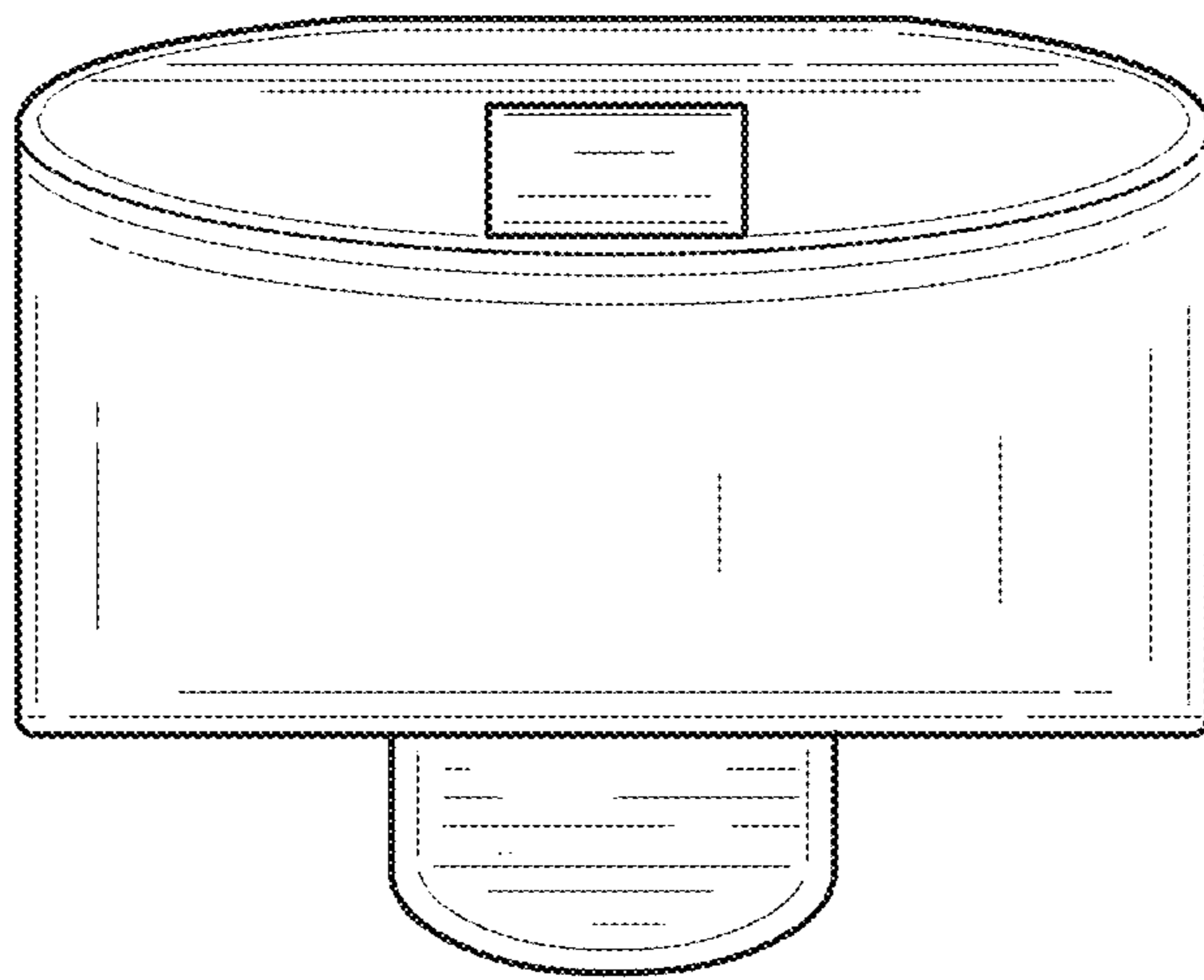


FIG. 9

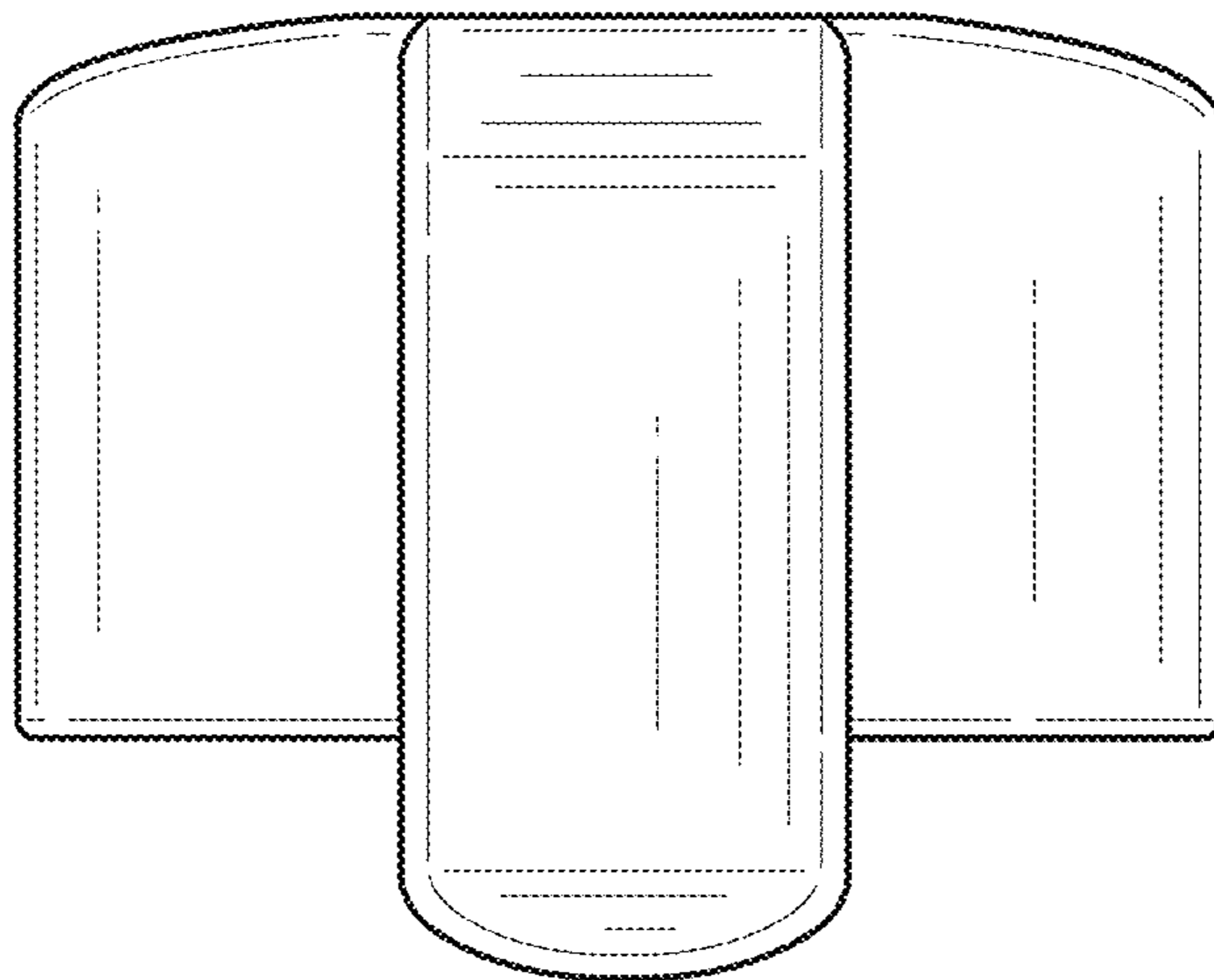


FIG. 10

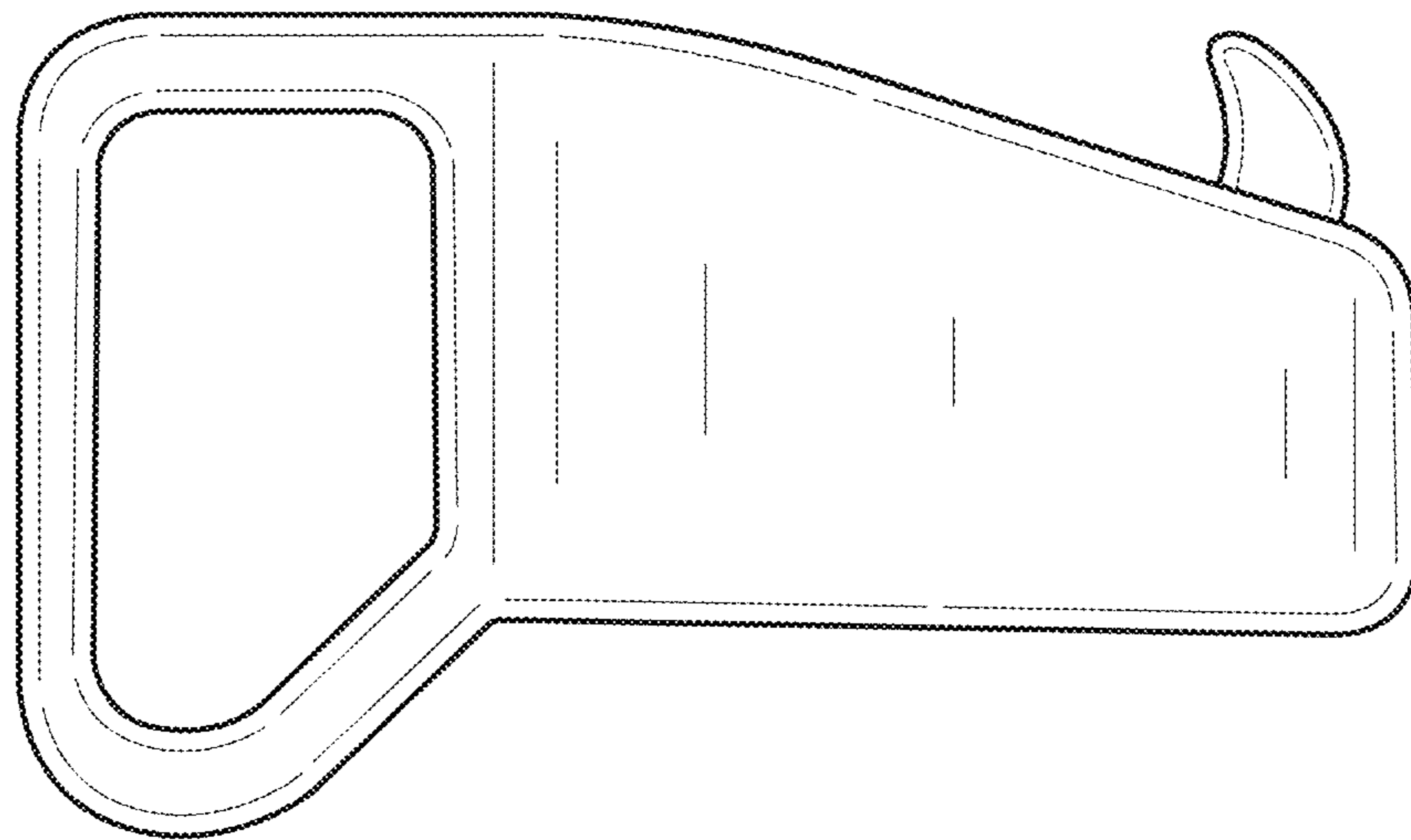


FIG. 11

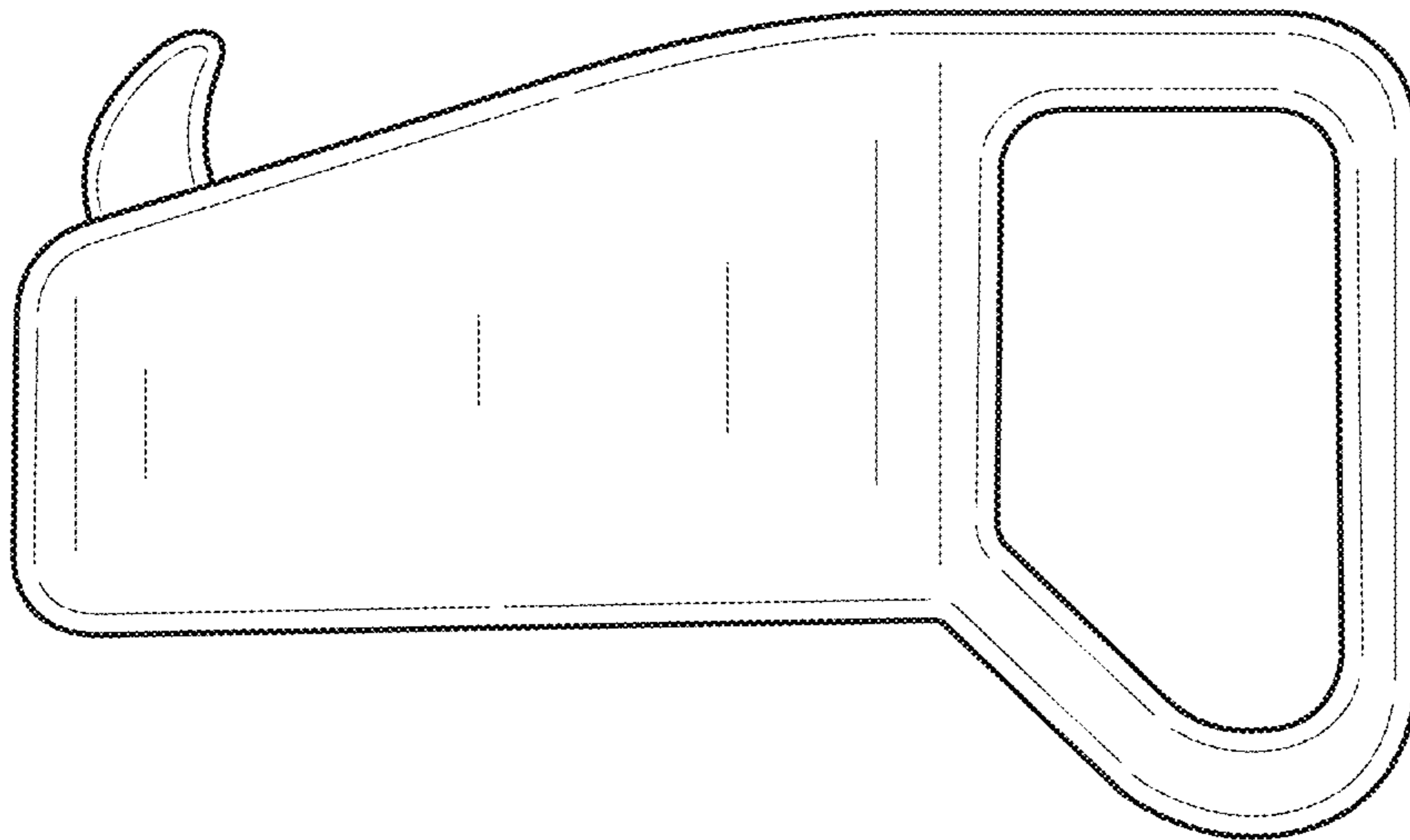


FIG. 12

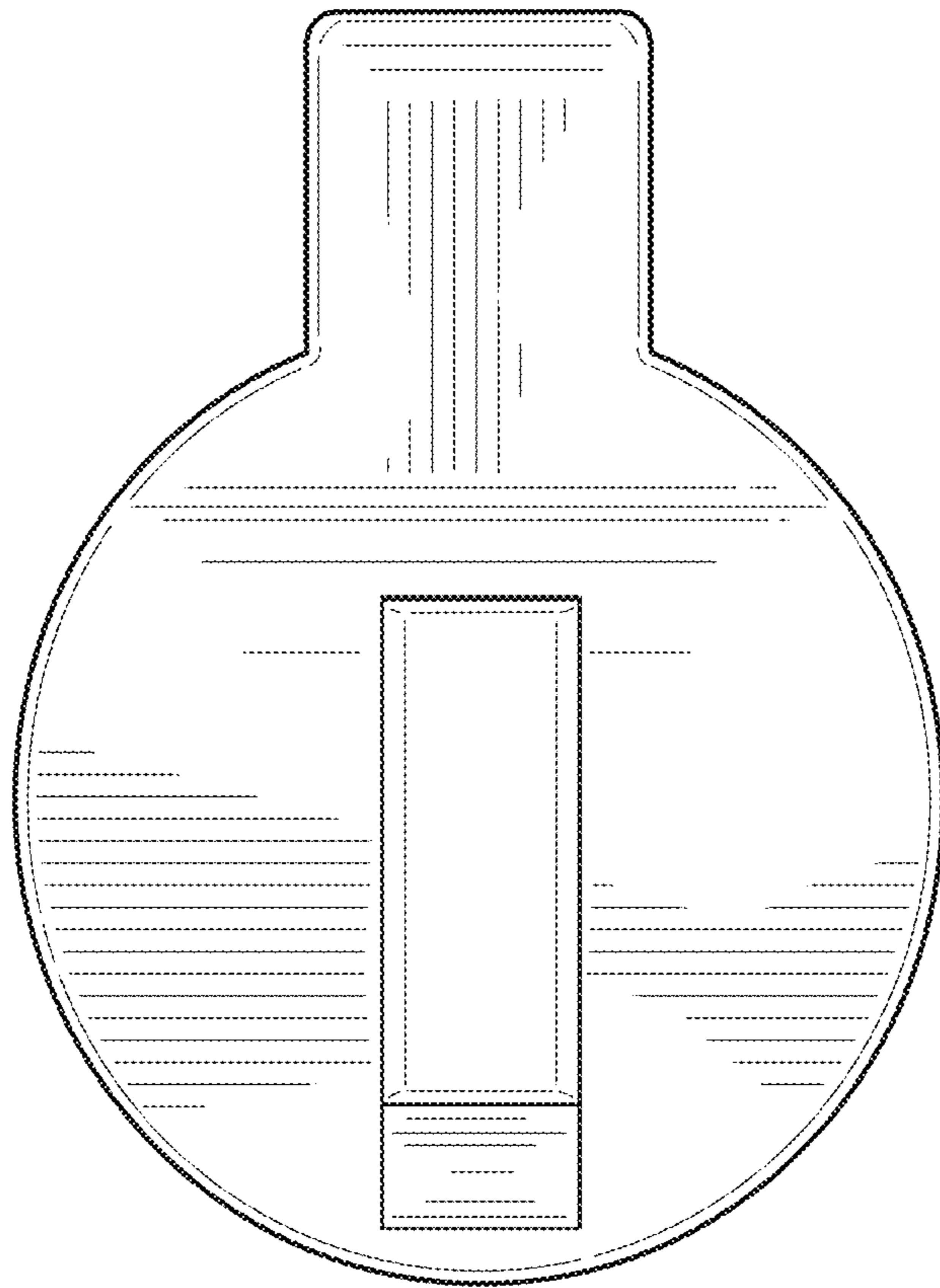


FIG. 13

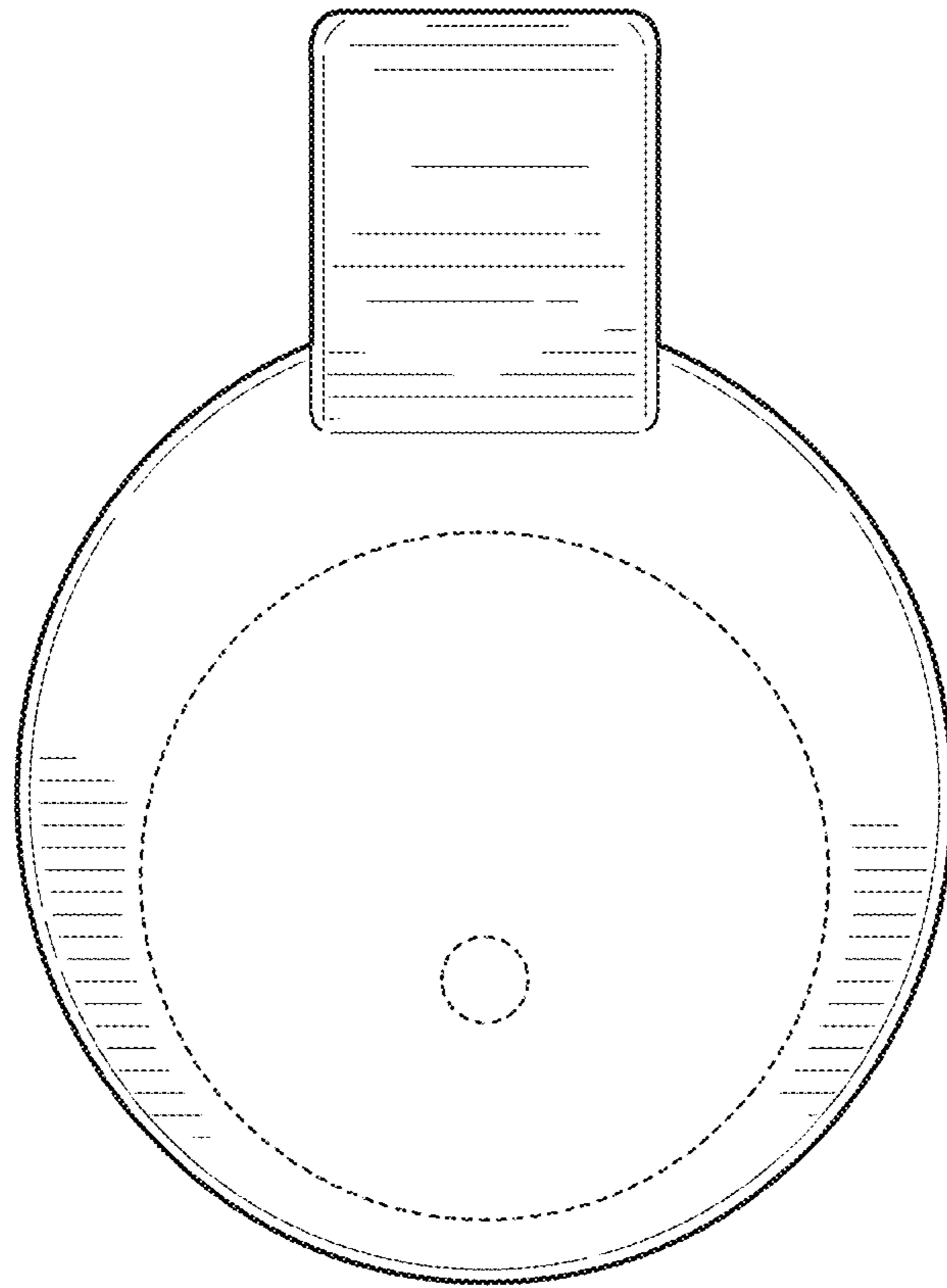


FIG. 14