



US00D810505S

(12) **United States Design Patent** (10) **Patent No.:** **US D810,505 S**
Gonzalez et al. (45) **Date of Patent:** **** Feb. 20, 2018**

(54) **POTATO MASHER HANDLE**
(71) Applicant: **All-Clad Metalcrafters LLC**,
Canonsburg, PA (US)
(72) Inventors: **Carlos Gonzalez**, Sunnyside, NY (US);
Mauricio Issa, Rego Park, NY (US);
Marisol Rodriguez, Brooklyn, NY
(US); **Anthony J. Baxter**, Upper
Montclair, NJ (US)
(73) Assignee: **All-Clad Metalcrafters LLC**,
Canonsburg, PA (US)

D424,869 S * 5/2000 Chau D7/395
D434,274 S * 11/2000 Kerman D7/401.2
D451,343 S * 12/2001 Wentland D7/395
D459,955 S * 7/2002 King D7/688
D565,348 S * 4/2008 Tetreault D7/395
D570,644 S * 6/2008 Smith D7/395
D574,184 S * 8/2008 Zemel D7/395
D578,826 S * 10/2008 Lu D7/395
D584,928 S * 1/2009 Eide D7/690
D629,649 S * 12/2010 Barber D7/395
D663,159 S * 7/2012 Zemel D7/395
D678,253 S * 3/2013 Lee D14/225
D699,072 S * 2/2014 Radtke D7/401.2
D777,509 S * 1/2017 Lee D7/395
D791,539 S * 7/2017 Rose D7/401.2

(**) Term: **15 Years**

* cited by examiner

(21) Appl. No.: **29/586,632**

Primary Examiner — Cynthia M. Chin

(22) Filed: **Dec. 6, 2016**

(74) *Attorney, Agent, or Firm* — The Webb Law Firm

(51) **LOC (11) Cl.** **07-06**

(52) **U.S. Cl.**

USPC **D7/395; D7/401.2**

(58) **Field of Classification Search**

USPC D7/682, 683, 688, 689, 690, 691,
D7/393–395, 401.2; D8/107, 300, 307;
D4/138, 129; 16/421, 430, 431, 110.1,
16/407; 220/573.1–573.5, 752, 753, 755,
220/756, 759, 767, 771, 912

CPC A47J 45/06; A47J 45/061; A47J 45/62;
A47J 45/08; A47J 45/085; A47J 45/071;
A47J 45/072; B65D 25/2802; B65D
25/2882; B65D 25/2885; B65D 25/2888;
B65D 25/2894; Y10S 220/912

See application file for complete search history.

(56) **References Cited**

U.S. PATENT DOCUMENTS

D375,035 S * 10/1996 Mangol D4/138
D398,197 S * 9/1998 Deglon D7/689

(57) **CLAIM**

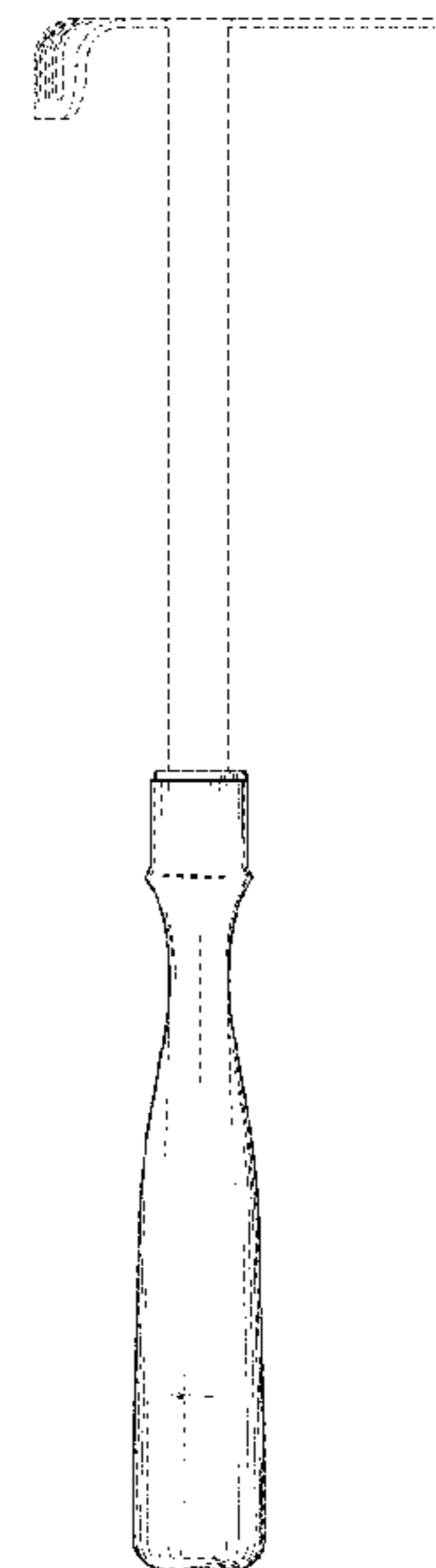
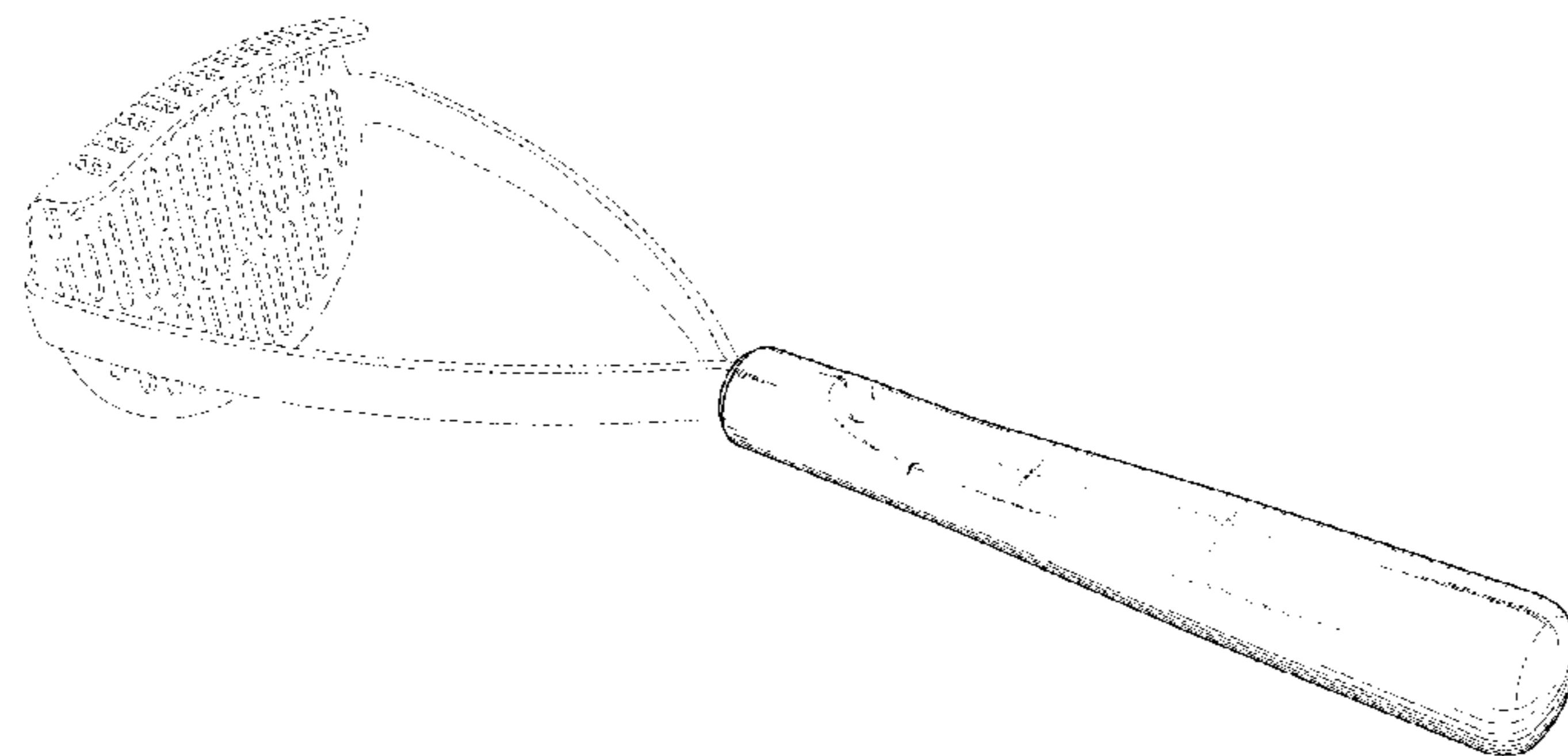
The ornamental design for a potato masher handle, as shown and described.

DESCRIPTION

FIG. 1 is an upper perspective view of a potato masher handle showing our new design;
FIG. 2 is a bottom view thereof;
FIG. 3 is a top view thereof;
FIG. 4 is a right side elevation view thereof;
FIG. 5 is a left side elevation view thereof;
FIG. 6 is a front elevation view thereof; and,
FIG. 7 is a rear elevation view thereof.

The broken line showings in FIGS. 1-7 are for the purpose of illustrating environmental structure and form no part of the claimed design.

1 Claim, 4 Drawing Sheets



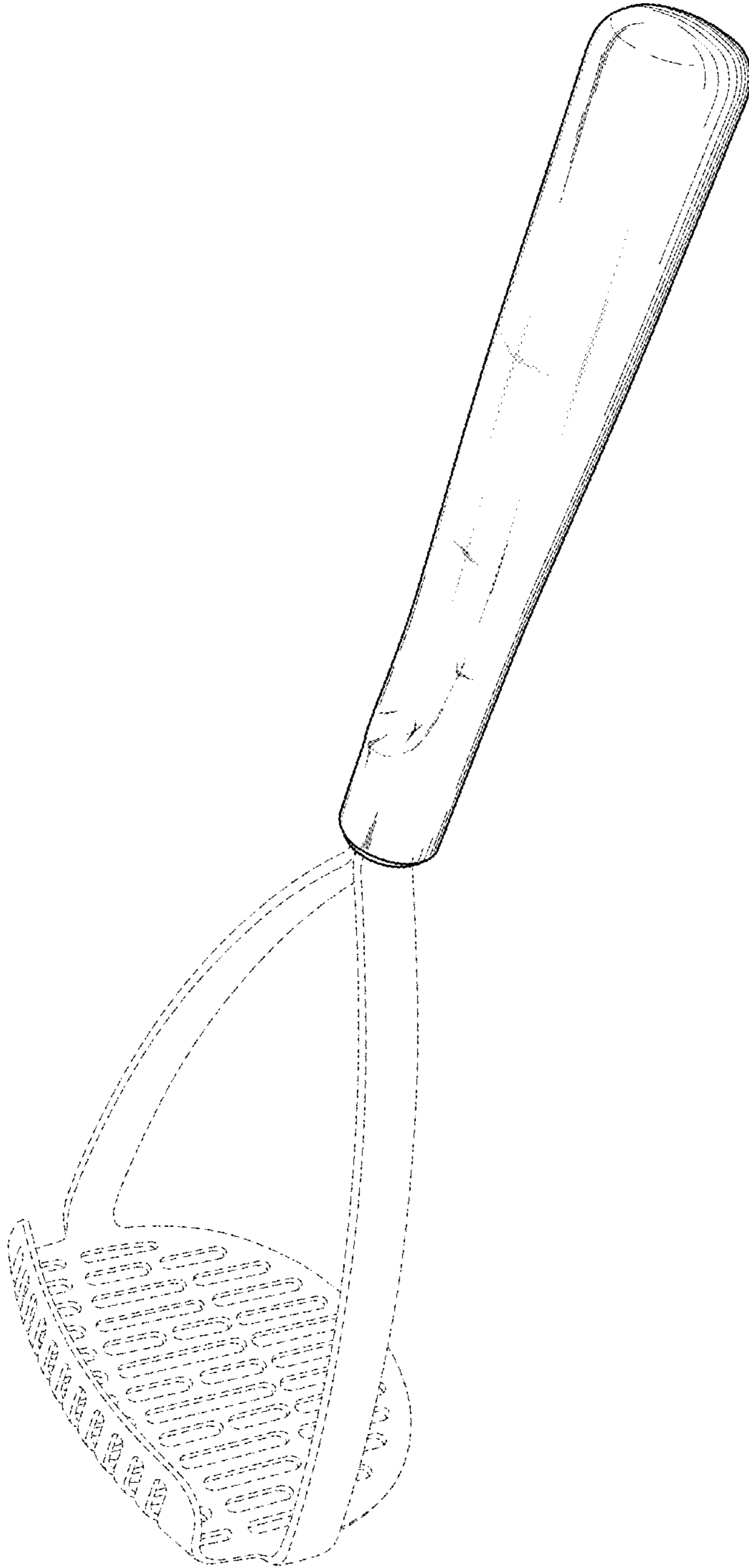


FIG. 1

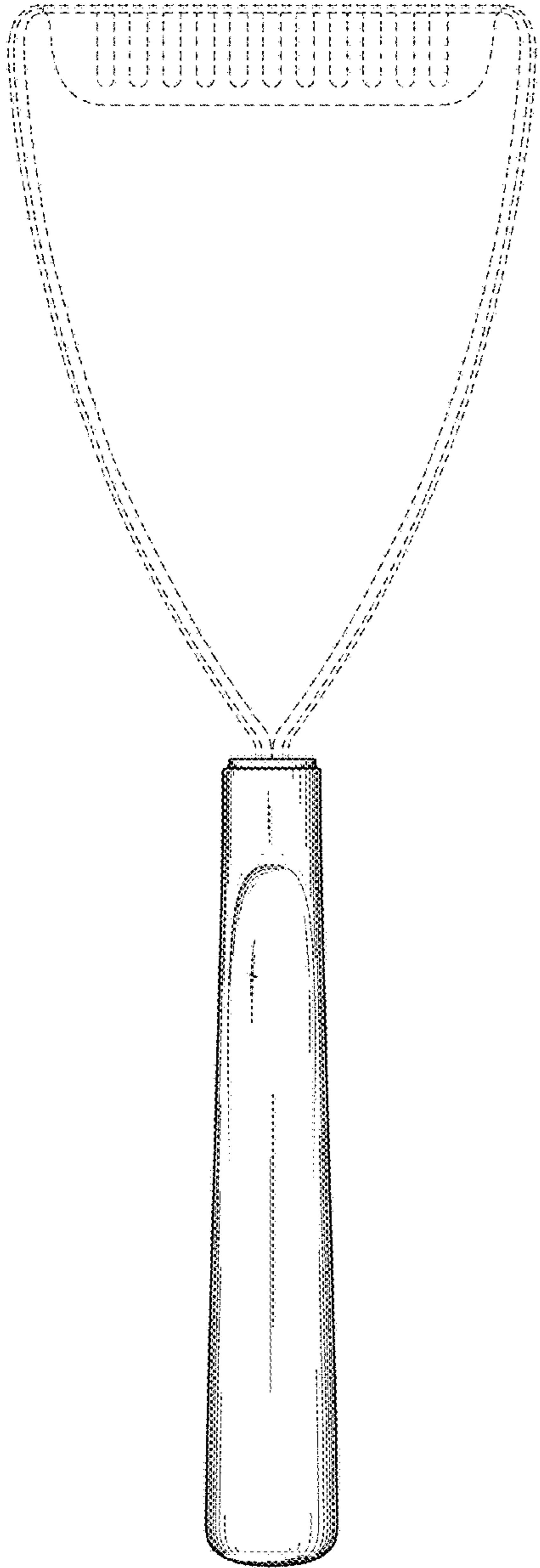


FIG. 2

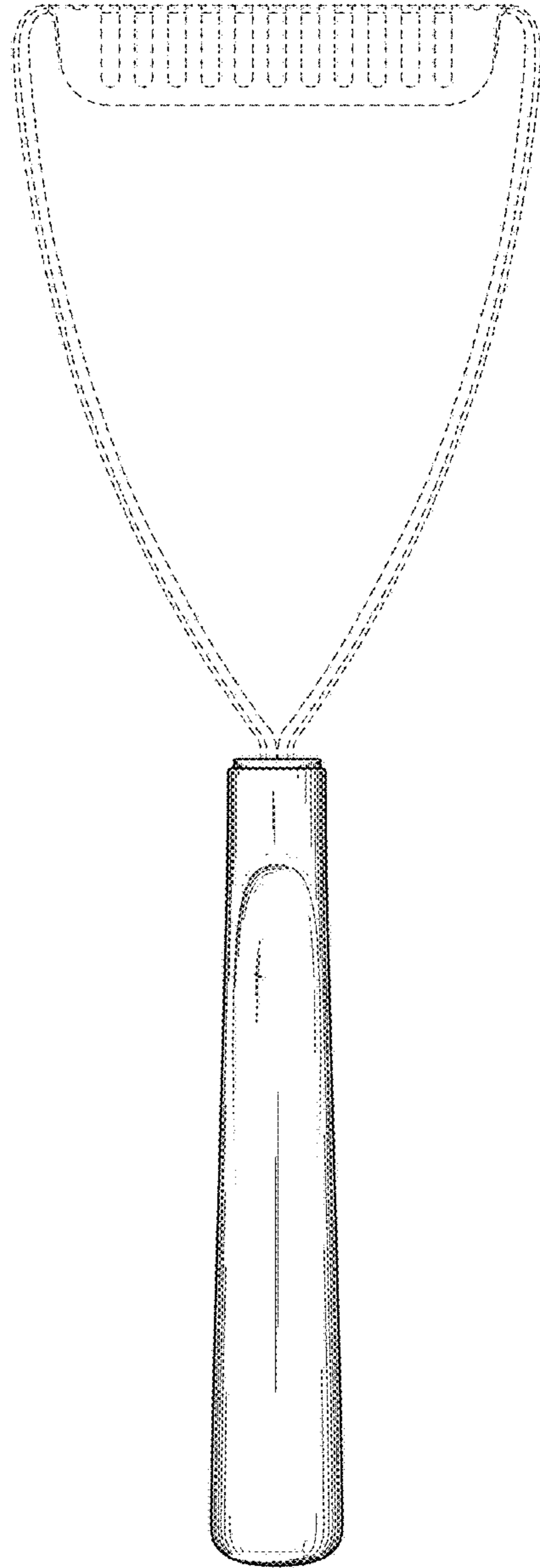


FIG. 3

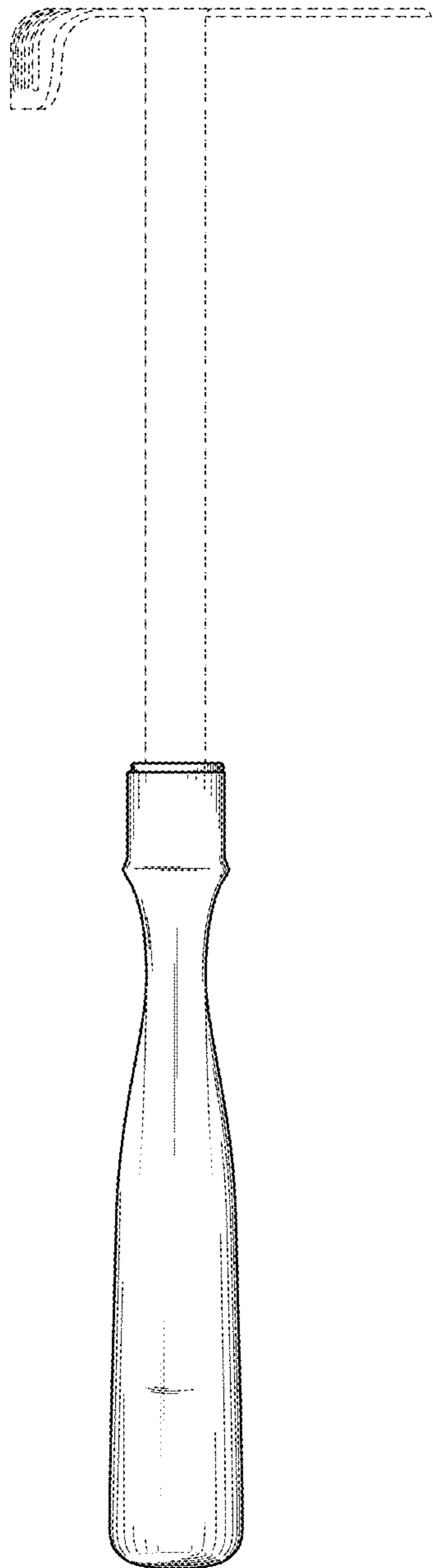


FIG. 4

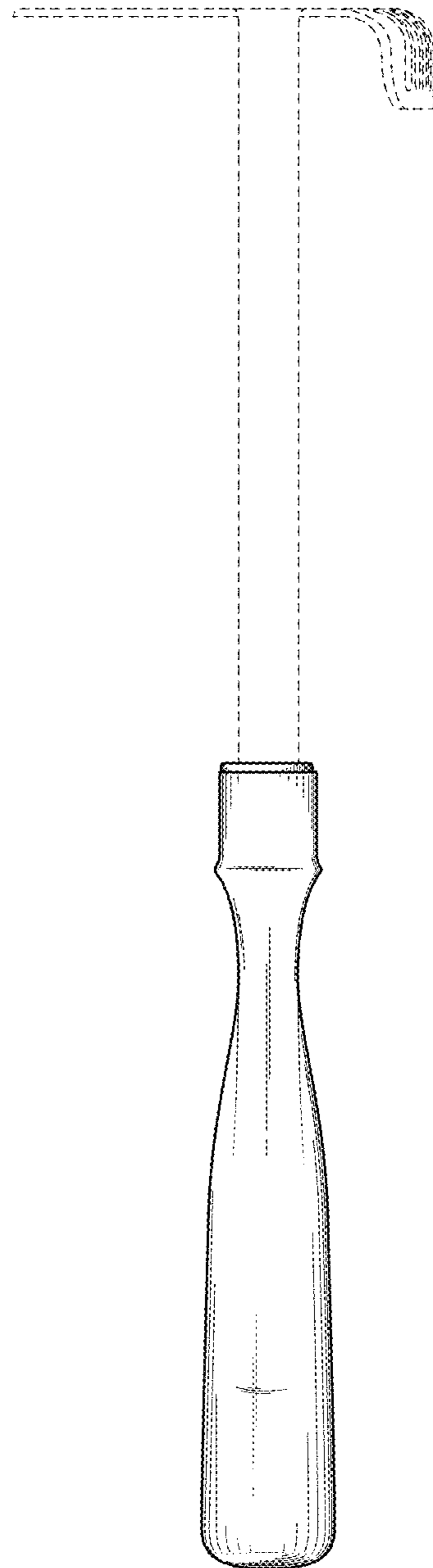


FIG. 5

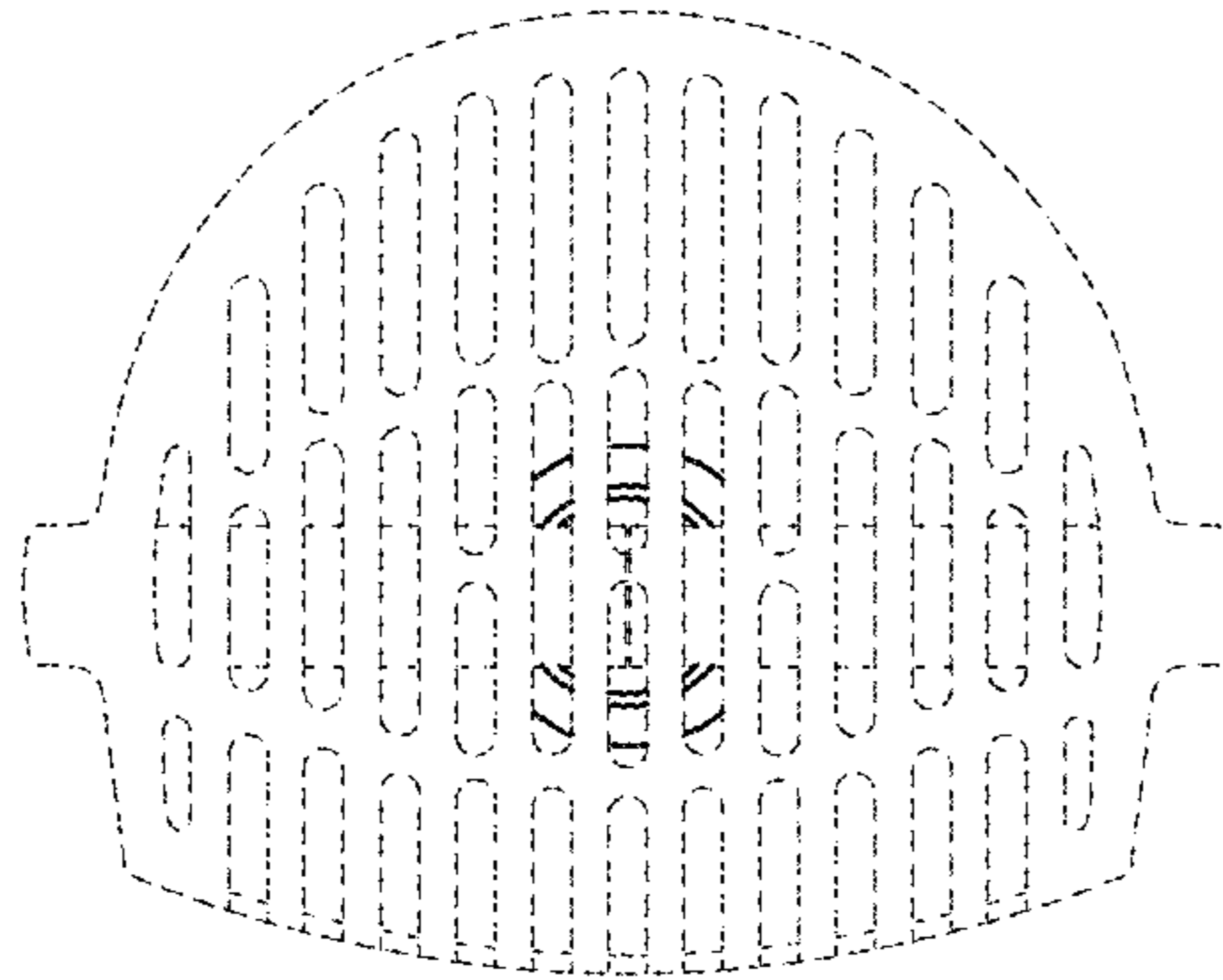


FIG. 6

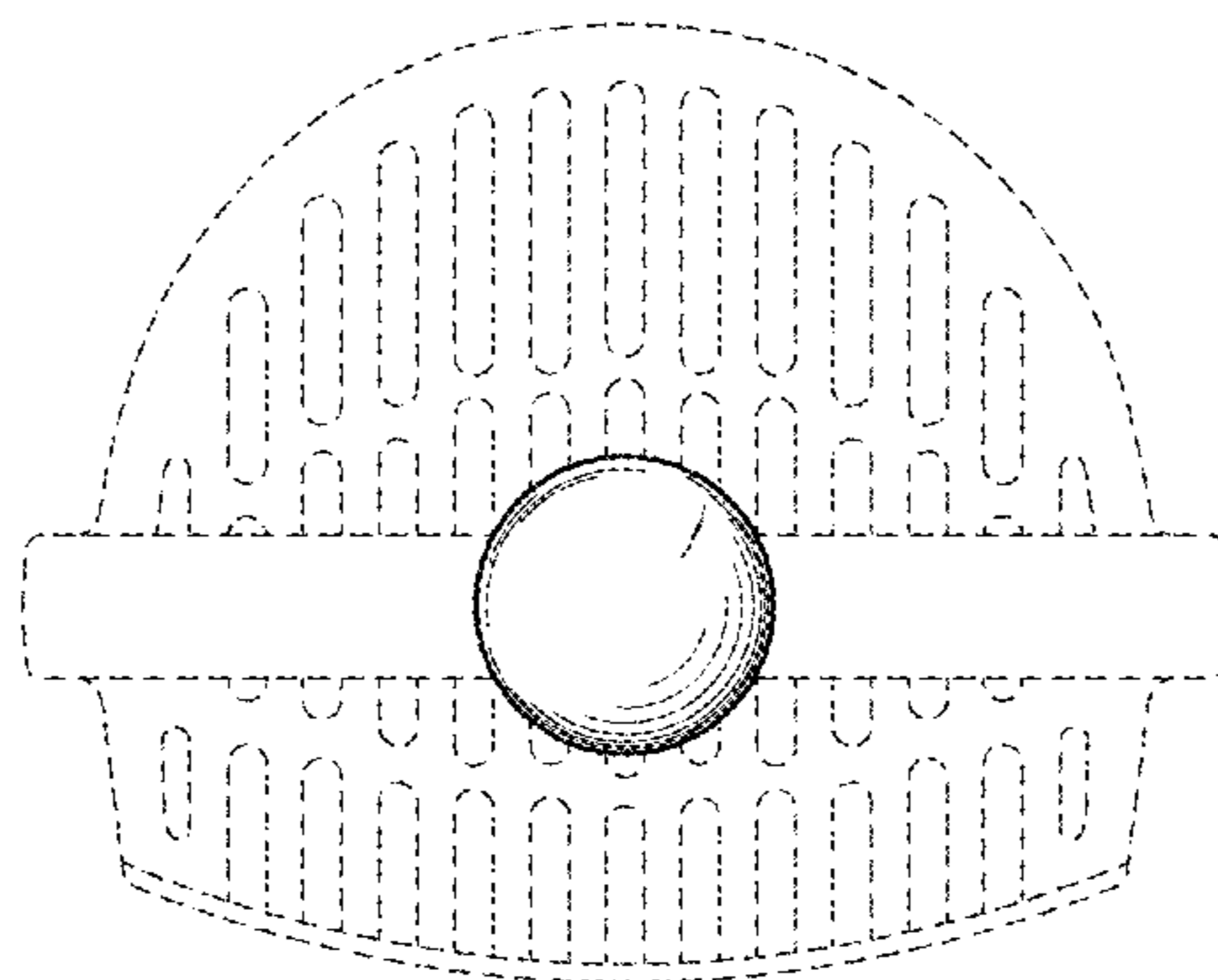


FIG. 7