



US00D810504S

(12) **United States Design Patent** (10) **Patent No.:** **US D810,504 S**  
**Goodwin et al.** (45) **Date of Patent:** **\*\* Feb. 20, 2018**

- (54) **HANDLE FOR A BOTTLE**
- (71) Applicant: **Helen of Troy Limited**, St. Michael (BB)
- (72) Inventors: **Brian George Goodwin**, Bend, OR (US); **Ryan James Diener**, Bend, OR (US)
- (73) Assignee: **Helen of Troy Limited** (BB)
- (\*\*) Term: **15 Years**
- (21) Appl. No.: **29/545,625**
- (22) Filed: **Nov. 13, 2015**
- (51) **LOC (11) Cl.** ..... **07-02**
- (52) **U.S. Cl.**  
USPC ..... **D7/394; D7/396.2**
- (58) **Field of Classification Search**  
USPC ..... D7/510, 608, 619.1-625, 391, 393-395, D7/396.2; D9/499, 455, 434, 436, 443, D9/448; 215/392-396, 399, 11.6; 294/170, 27.1, 29, 31.2, 32, 31.1; 211/74; 248/309.1, 311.2, 312; 220/737-739, 758, 759  
CPC . A45F 5/10; A61J 9/06; B65D 23/106; A47G 23/0266; A47G 23/0241  
See application file for complete search history.

(56) **References Cited**

**U.S. PATENT DOCUMENTS**

|              |         |                |          |
|--------------|---------|----------------|----------|
| D592,913 S * | 5/2009  | Pinelli .....  | D7/510   |
| D620,756 S * | 8/2010  | Lown .....     | D7/300.1 |
| D632,524 S   | 2/2011  | Rosbach et al. |          |
| D633,338 S   | 3/2011  | Rosbach et al. |          |
| D634,161 S * | 3/2011  | Roth .....     | D7/510   |
| D652,256 S * | 1/2012  | Eyal .....     | D7/510   |
| D654,793 S   | 2/2012  | Rosbach        |          |
| D672,238 S * | 12/2012 | Aziz .....     | D7/510   |

|                   |         |                |                        |
|-------------------|---------|----------------|------------------------|
| D680,805 S        | 4/2013  | Rosbach        |                        |
| D688,912 S        | 9/2013  | Rosbach        |                        |
| D693,170 S        | 11/2013 | Rosbach        |                        |
| D700,012 S *      | 2/2014  | Hurley .....   | D7/392.1               |
| D704,986 S        | 5/2014  | Manies         |                        |
| D734,151 S *      | 7/2015  | Herbst .....   | D9/448                 |
| D736,562 S *      | 8/2015  | Green .....    | D7/510                 |
| D748,429 S *      | 2/2016  | Lv .....       | D7/391                 |
| D748,943 S *      | 2/2016  | Miller .....   | D7/392.1               |
| D756,702 S *      | 5/2016  | Joseph .....   | D7/392.1               |
| D760,080 S *      | 6/2016  | Gorbold .....  | D9/443                 |
| D763,688 S *      | 8/2016  | Breit .....    | D9/443                 |
| D777,508 S *      | 1/2017  | Goodwin .....  | D7/392.1               |
| D781,104 S *      | 3/2017  | Cerasani ..... | D7/300.1               |
| D790,920 S *      | 7/2017  | Goodwin .....  | D7/510                 |
| D791,549 S *      | 7/2017  | Goodwin .....  | D7/608                 |
| 2004/0217139 A1 * | 11/2004 | Roth .....     | A45F 3/18<br>224/148.7 |

(Continued)

*Primary Examiner* — Cynthia M Chin

(74) *Attorney, Agent, or Firm* — Kolisch Hartwell, P.C.

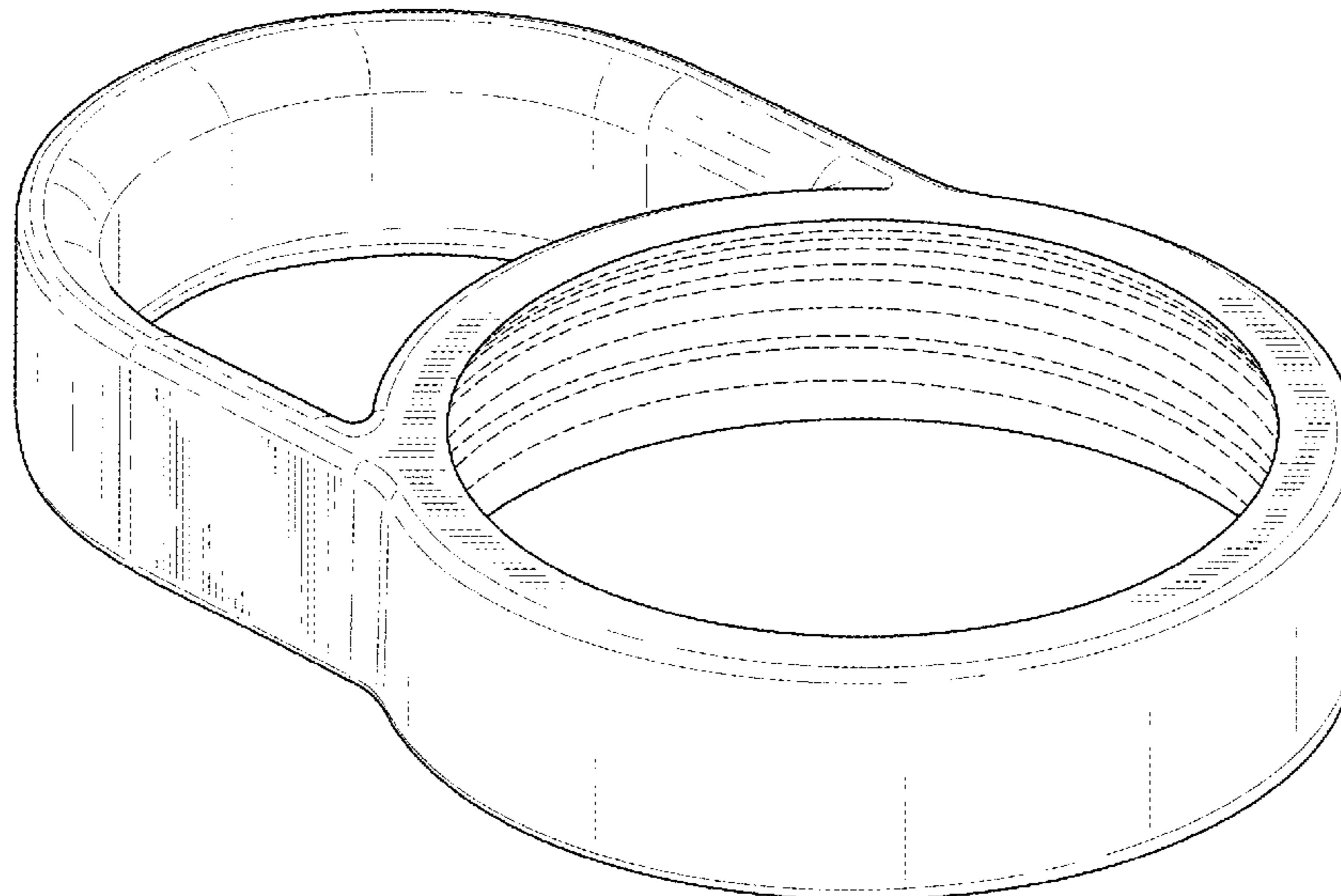
(57) **CLAIM**

The ornamental design for a handle for a bottle, as shown and described.

**DESCRIPTION**

FIG. 1 is an upper, front, and right side perspective view of a handle for a bottle showing our new design;  
 FIG. 2 is a lower, rear, and left side perspective view thereof;  
 FIG. 3 is a front view thereof;  
 FIG. 4 is a rear view thereof;  
 FIG. 5 is a left side view thereof;  
 FIG. 6 is a right side view thereof;  
 FIG. 7 is a top view thereof; and,  
 FIG. 8 is a bottom view thereof.  
 Elements of the handle for a bottle depicted using broken lines are intended to illustrate the environment of the claimed design and form no part of the claimed design.

**1 Claim, 6 Drawing Sheets**



(56)

**References Cited**

U.S. PATENT DOCUMENTS

2007/0039959 A1\* 2/2007 Choi ..... A47G 19/2266  
220/212.5

\* cited by examiner

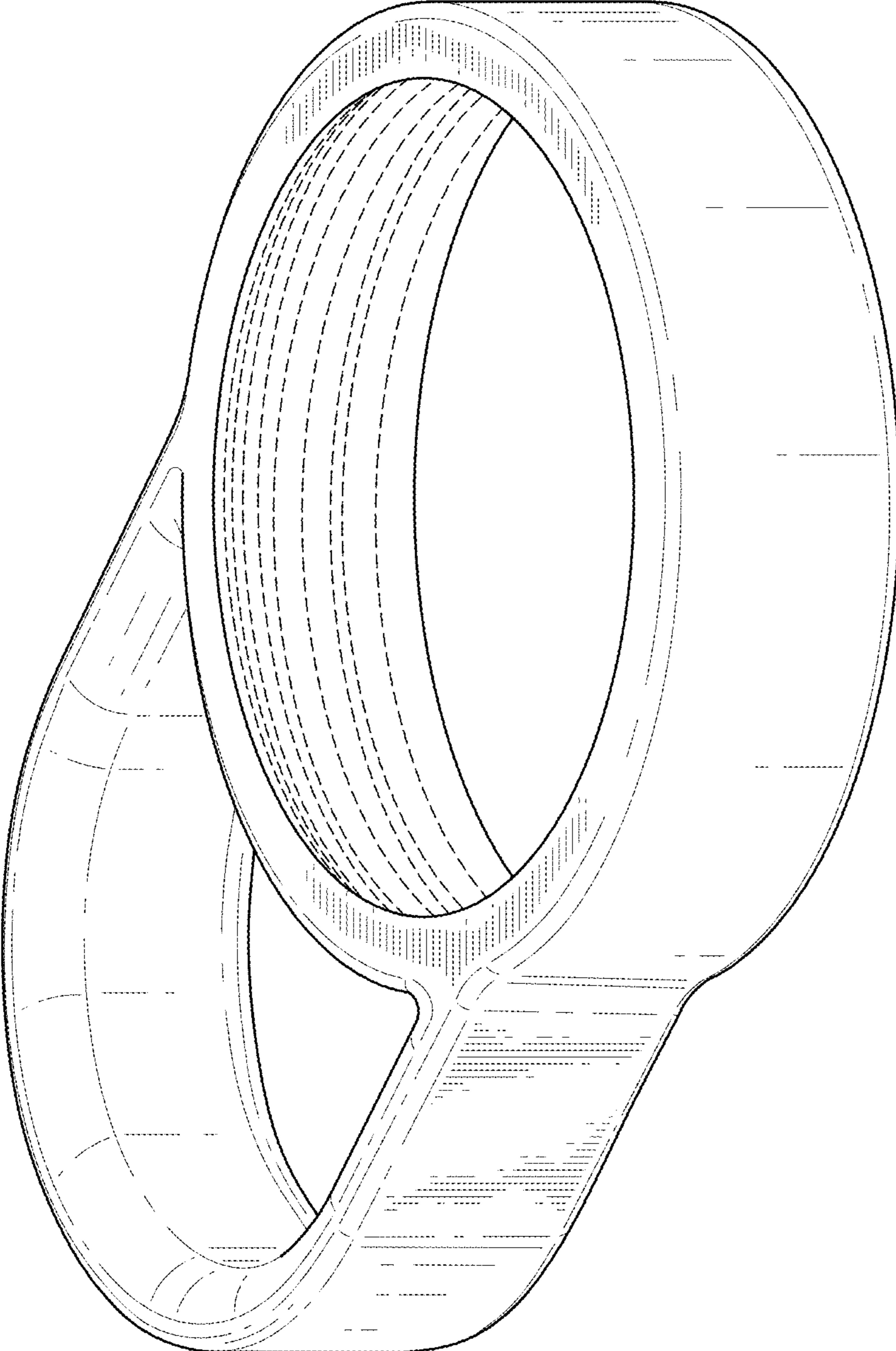


FIG. 1

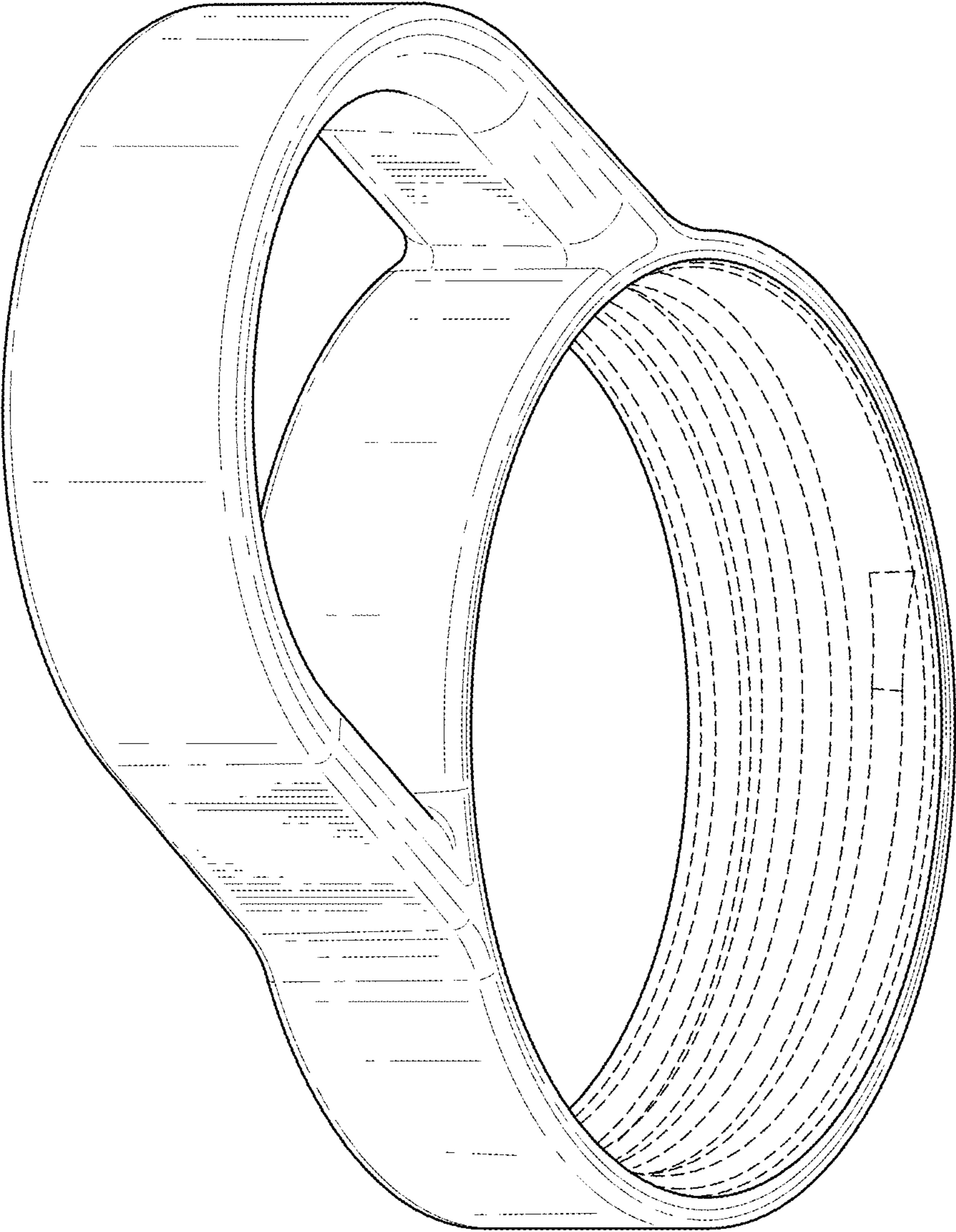


FIG. 2

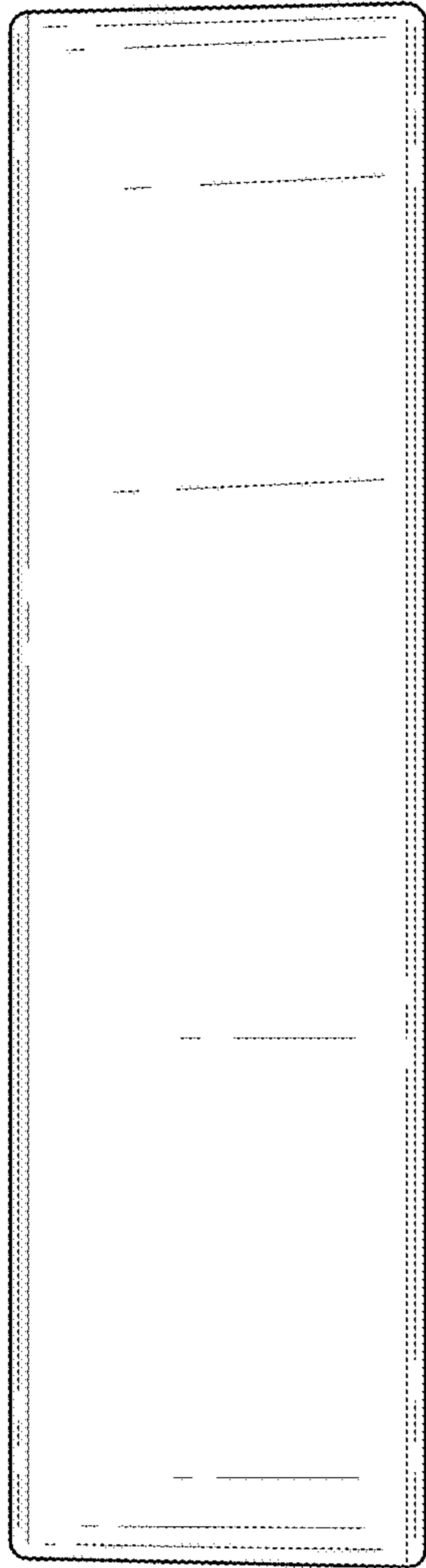


FIG. 3

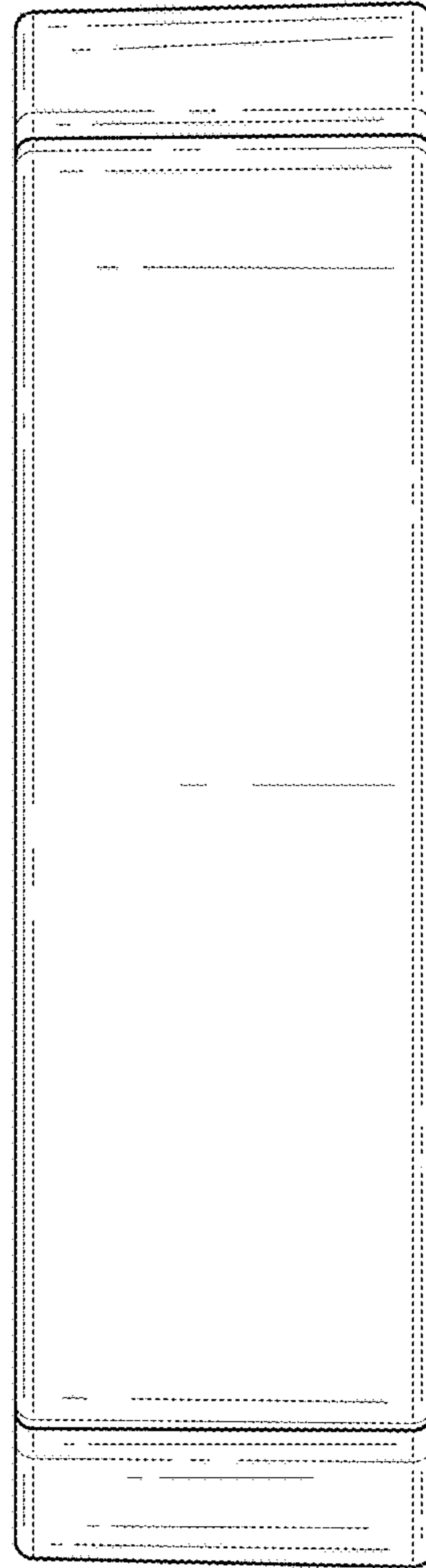


FIG. 4

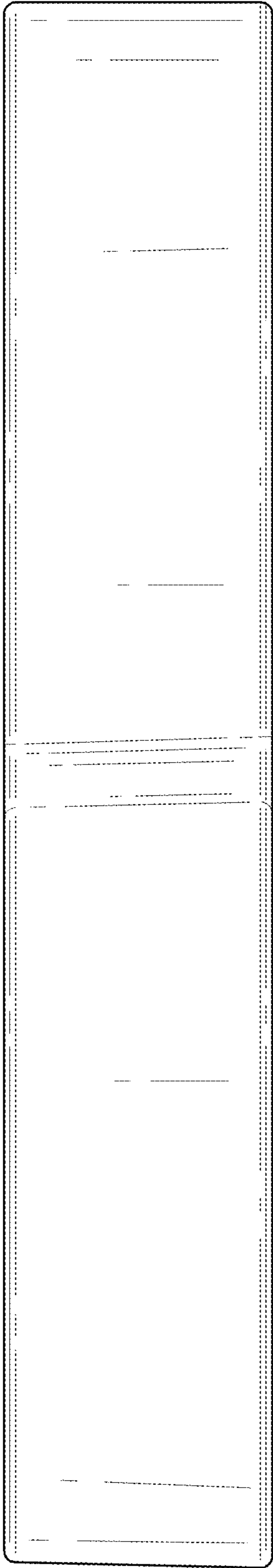


FIG. 5

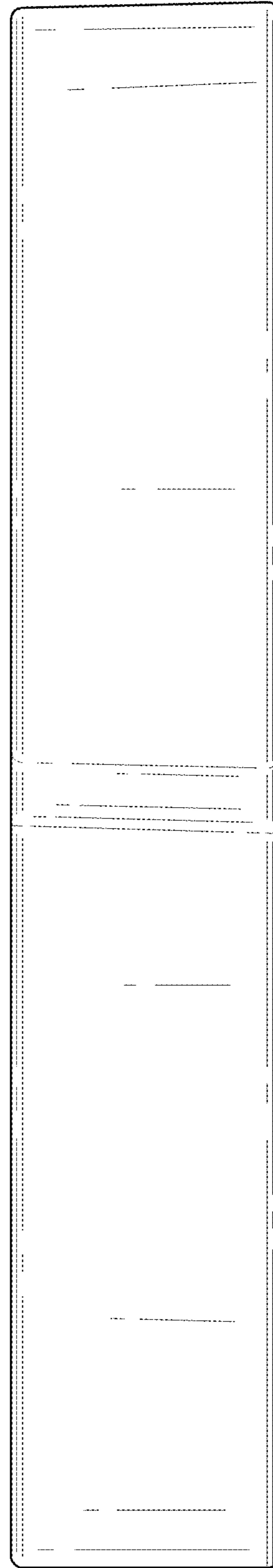


FIG. 6

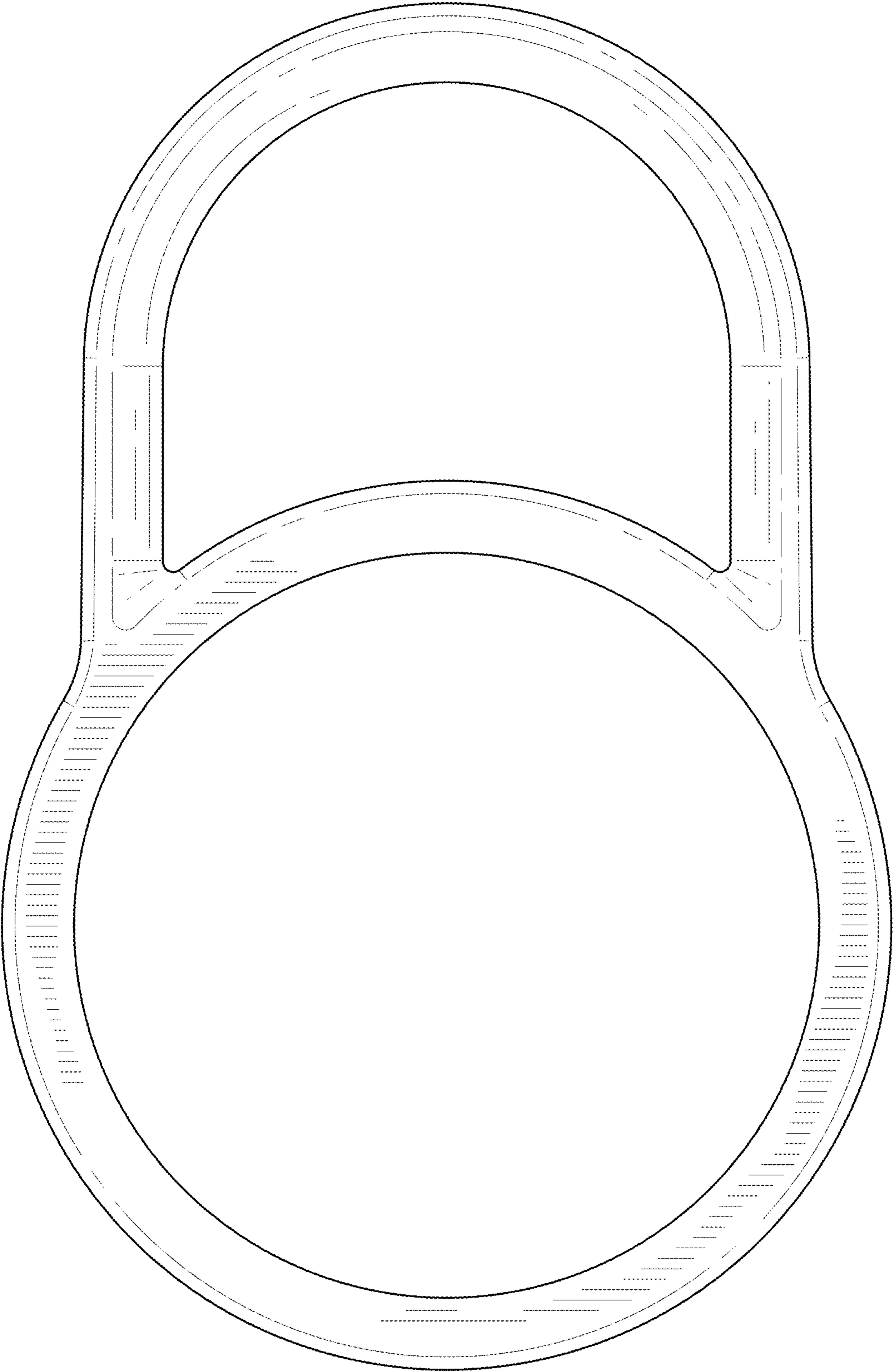


FIG. 7

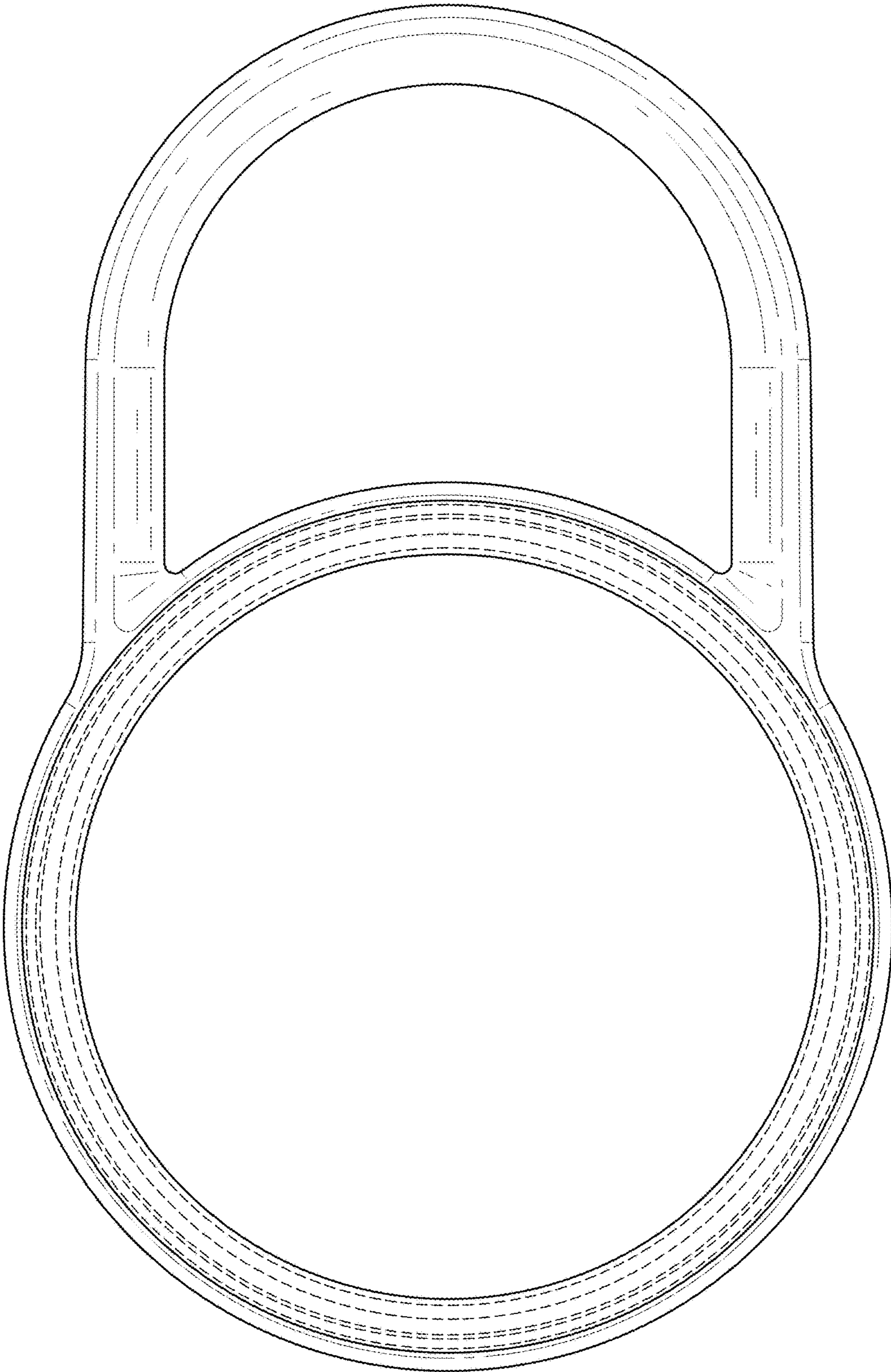


FIG. 8