



US00D810503S

(12) **United States Design Patent**
Murosky

(10) **Patent No.:** **US D810,503 S**

(45) **Date of Patent:** **** Feb. 20, 2018**

(54) **CLOSURE**

(71) Applicant: **02C RALEIGH, LLC**, Chicago, IL
(US)

(72) Inventor: **Kelly Murosky**, Burlington, VT (US)

(73) Assignee: **02C RALEIGH, LLC**, Chicago, IL
(US)

(**) Term: **15 Years**

(21) Appl. No.: **29/586,910**

(22) Filed: **Dec. 7, 2016**

(51) **LOC (11) Cl.** **09-07**

(52) **U.S. Cl.**
USPC **D7/392.1**

(58) **Field of Classification Search**
USPC D7/316, 392, 392.1, 396.2, 397, 510,
D7/533; D9/434-436, 438, 439, 440,
D9/443, 444, 447-450, 452-454, 499,
D9/549, 715, 717-719; D23/260, 269,
D23/390
CPC B65D 2543/00046; B65D 47/08
See application file for complete search history.

(56) **References Cited**

U.S. PATENT DOCUMENTS

D317,411 S *	6/1991	Holmes	D9/435
D500,428 S *	1/2005	Ward	D7/392.1
D532,297 S *	11/2006	Myers	D9/447
D536,213 S *	2/2007	Schuler	D7/392.1
D536,214 S *	2/2007	Schuler	D7/392.1
D596,937 S *	7/2009	Graber	D9/438
7,992,741 B2 *	8/2011	Hundley	B65D 43/0212 220/253
D657,671 S *	4/2012	O'Brien	D9/436
D732,337 S *	6/2015	Coon	D7/392.1

D741,657 S *	10/2015	George	D7/509
D790,272 S *	6/2017	Han	D7/396.2
2009/0090715 A1 *	4/2009	Goldberg	B65D 17/165 220/269
2012/0145712 A1 *	6/2012	Bratsch	B65D 47/2018 220/254.2

OTHER PUBLICATIONS

Alibaba. Spill and splash resistant lid with slider closure for 30oz stainless steel tumbler. 2017 [earliest online date], [site visited Jul. 31, 2017]. Available from Internet, <URL:https://www.alibaba.com/product-detail/spill-and-splash-resistant-lid-with_60549372313.html>.*

* cited by examiner

Primary Examiner — Robert M Spear
Assistant Examiner — Darcey E Heffin

(74) *Attorney, Agent, or Firm* — Thompson Coburn LLP;
Alan H. Norman

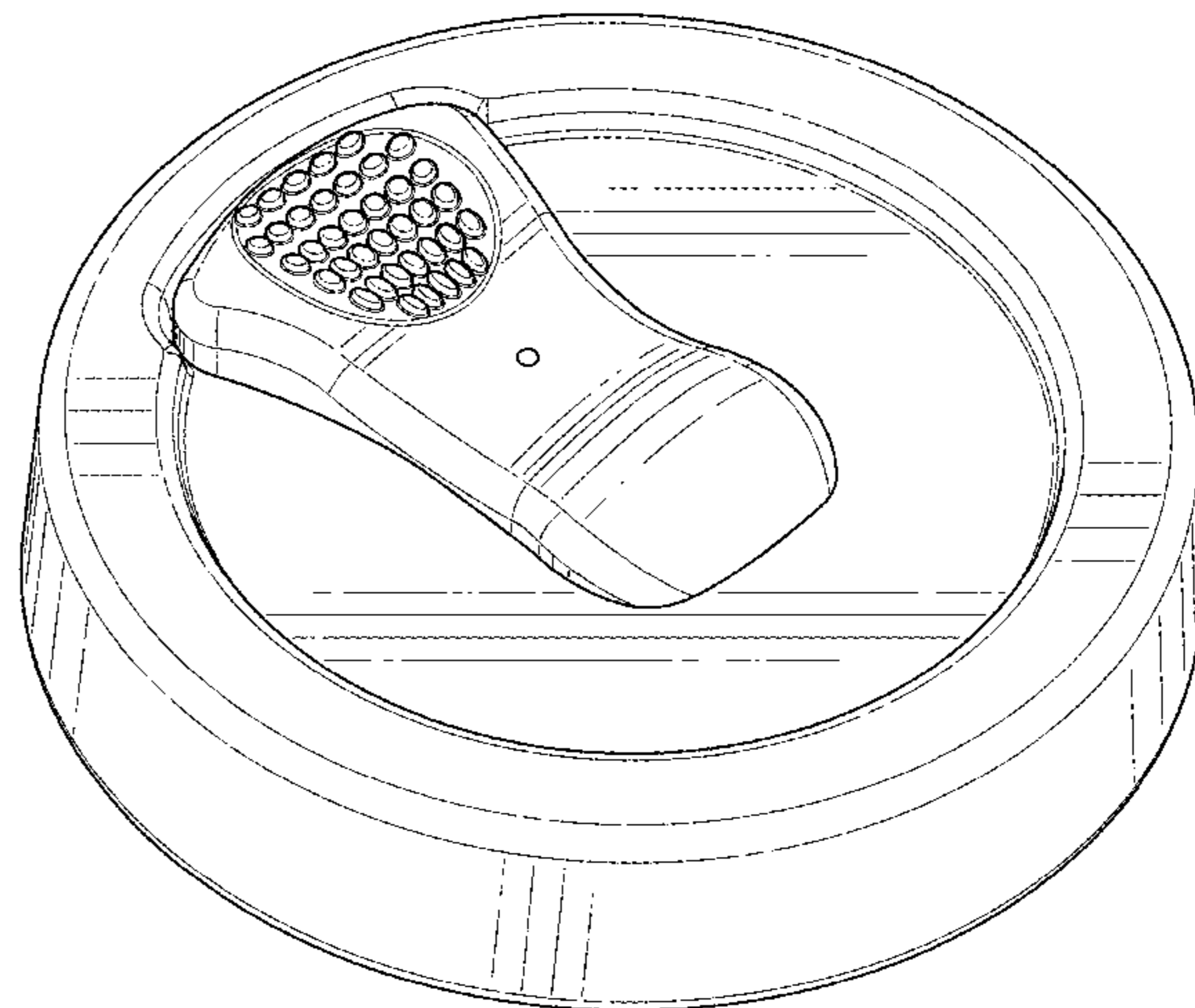
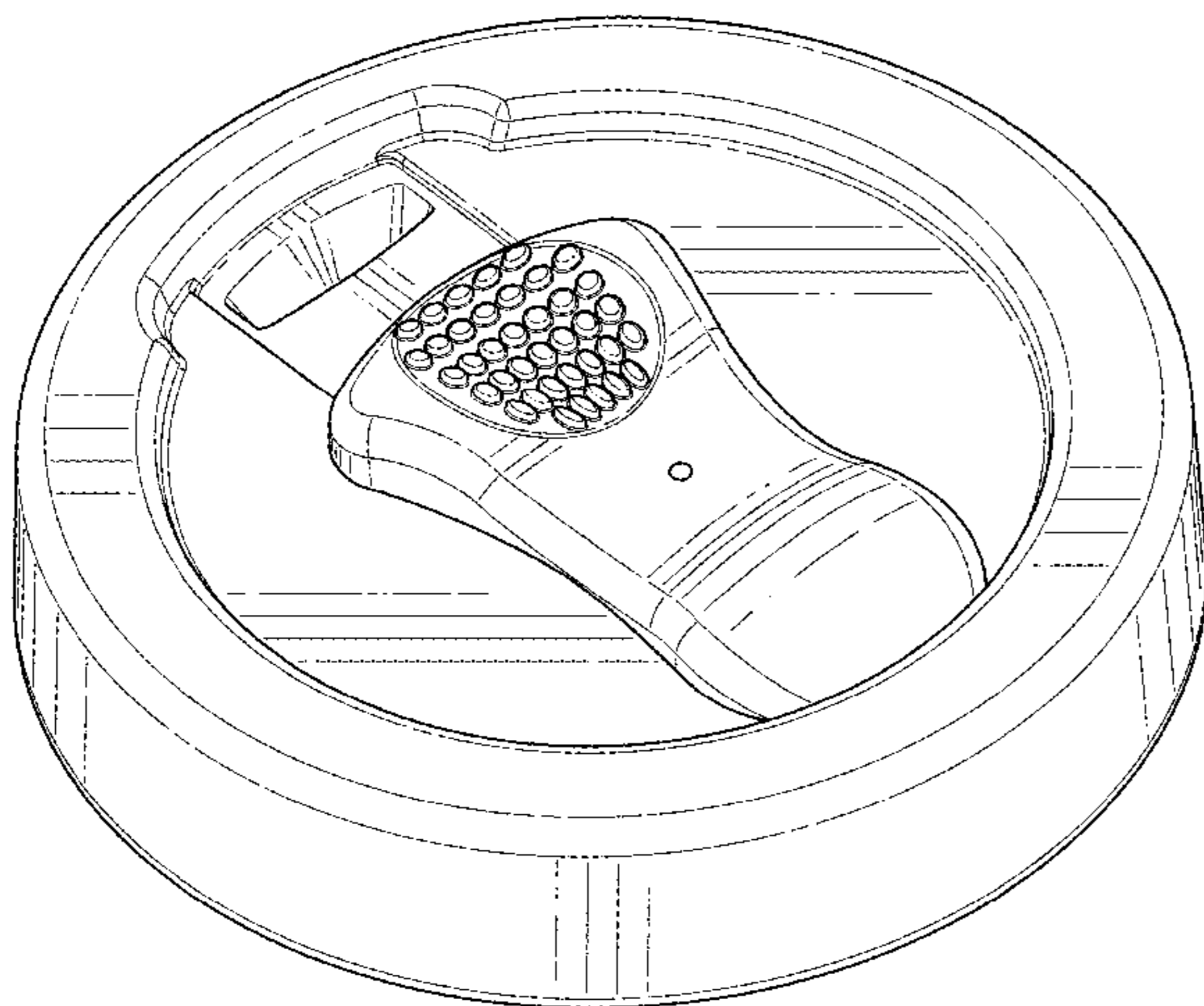
(57) **CLAIM**

The ornamental design for a closure, as shown and described.

DESCRIPTION

FIG. 1 is a perspective view of a closure showing our new design with the closure in an open position; FIG. 2 is a top view thereof; FIG. 3 is a right view thereof; FIG. 4 is a left side view thereof; FIG. 5 is a rear side view thereof; FIG. 6 is a front plan view thereof; and, FIG. 7 is a perspective view thereof with the closure in a closed position. The bottom and interior surfaces of the closure are non-ornamental and does not form a part of our new design.

1 Claim, 7 Drawing Sheets



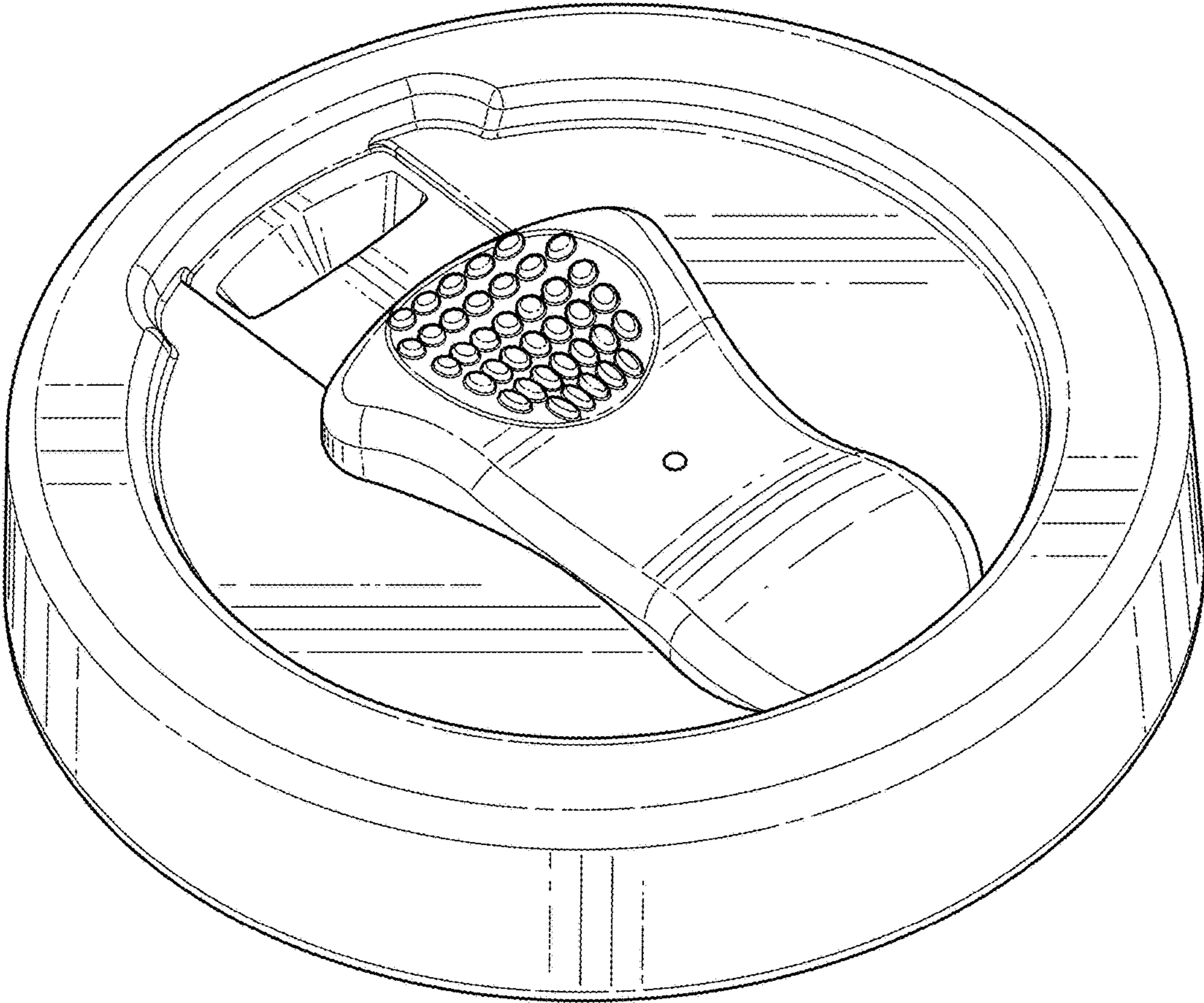


FIG. 1

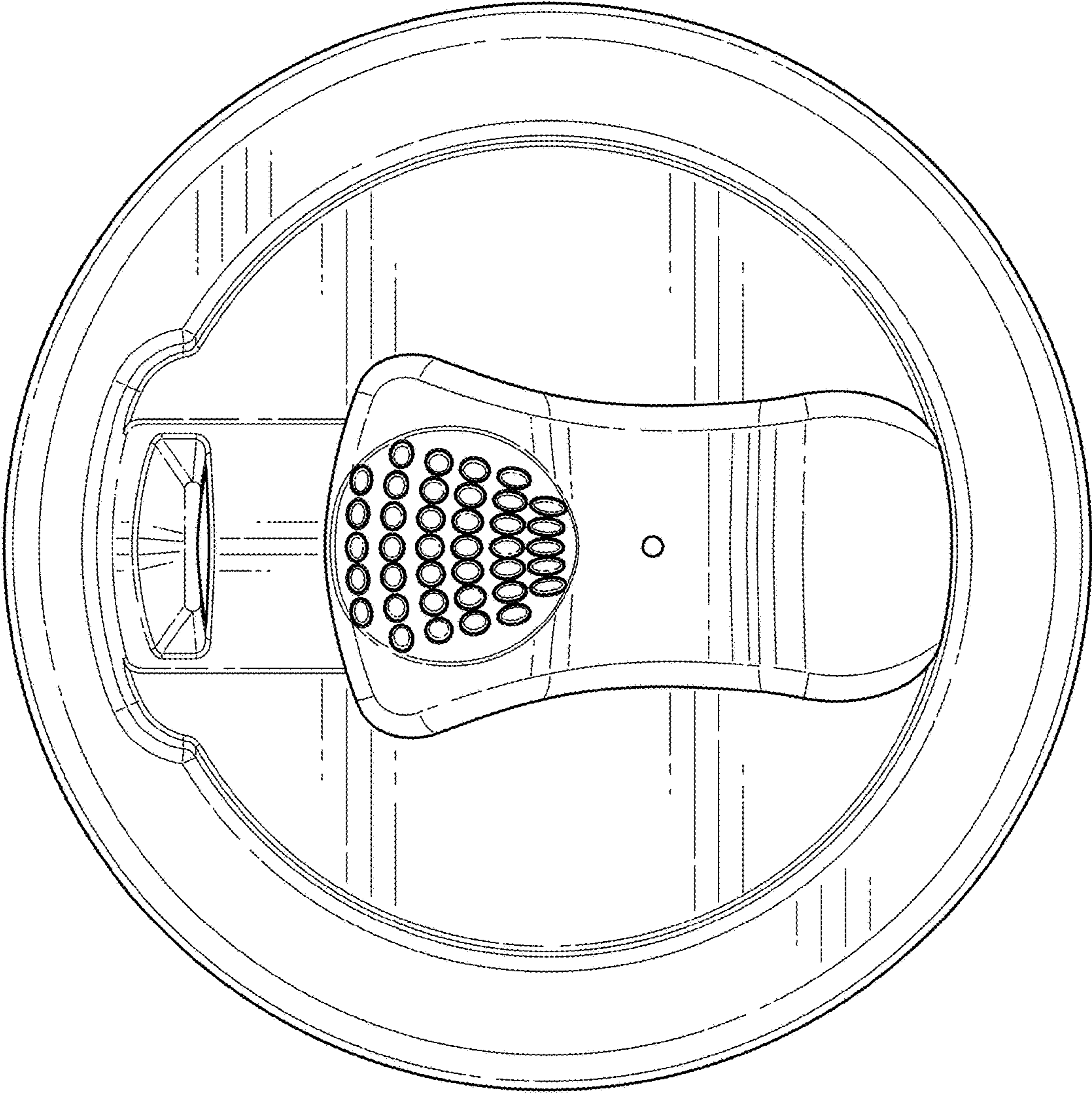


FIG. 2

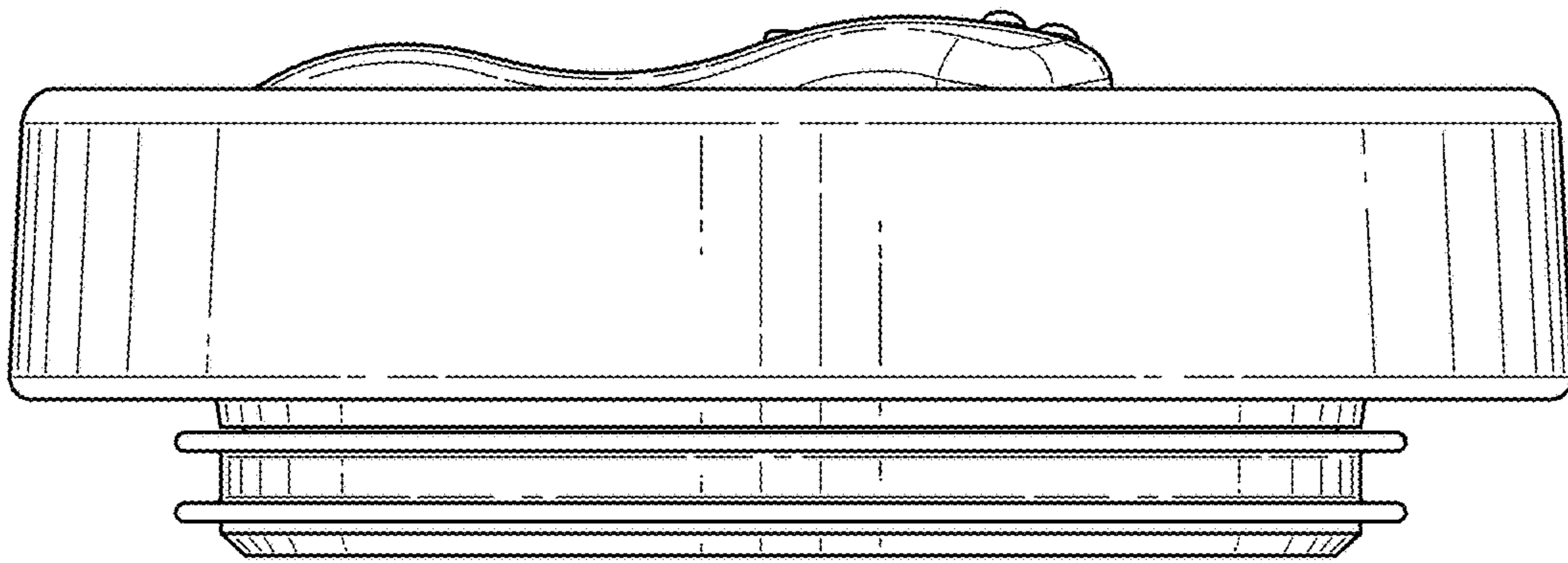


FIG. 3

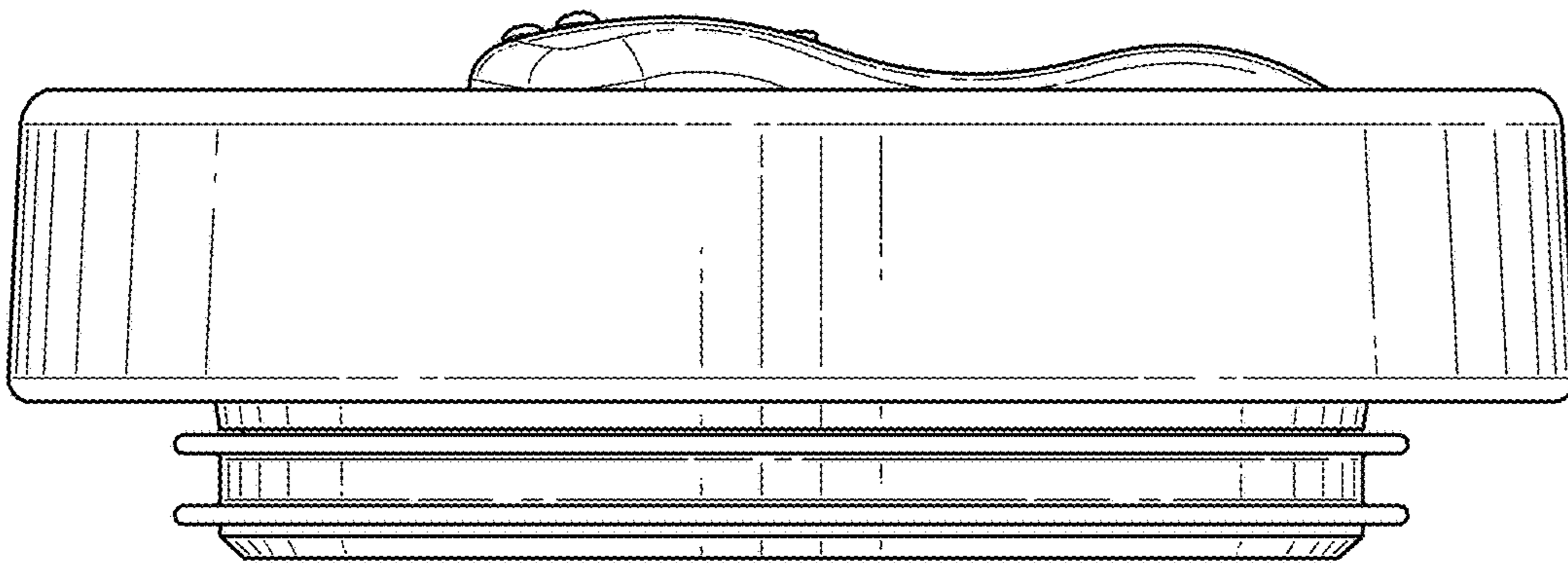


FIG. 4

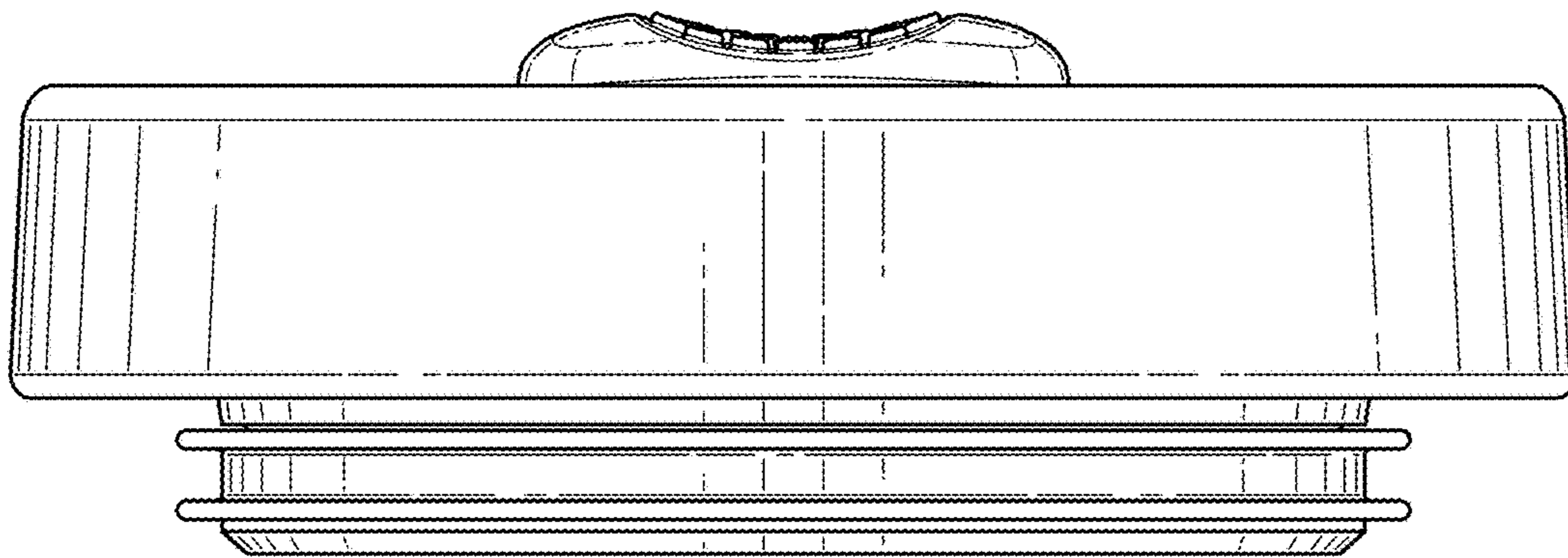


FIG. 5

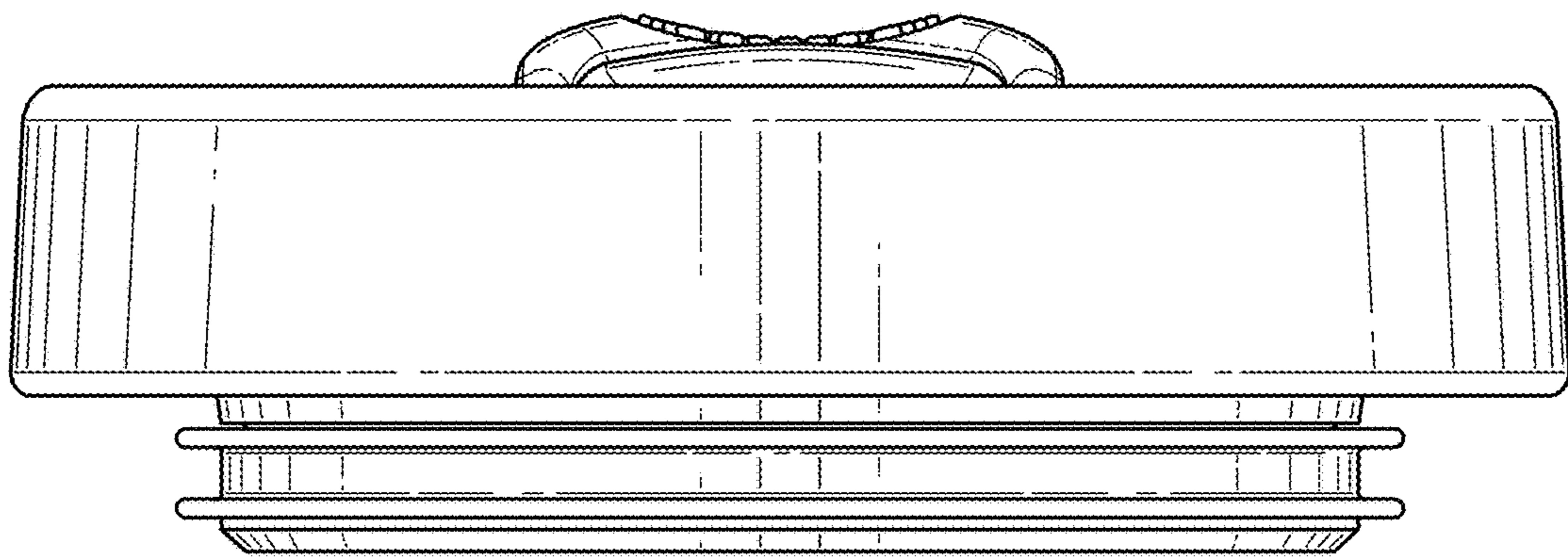


FIG. 6

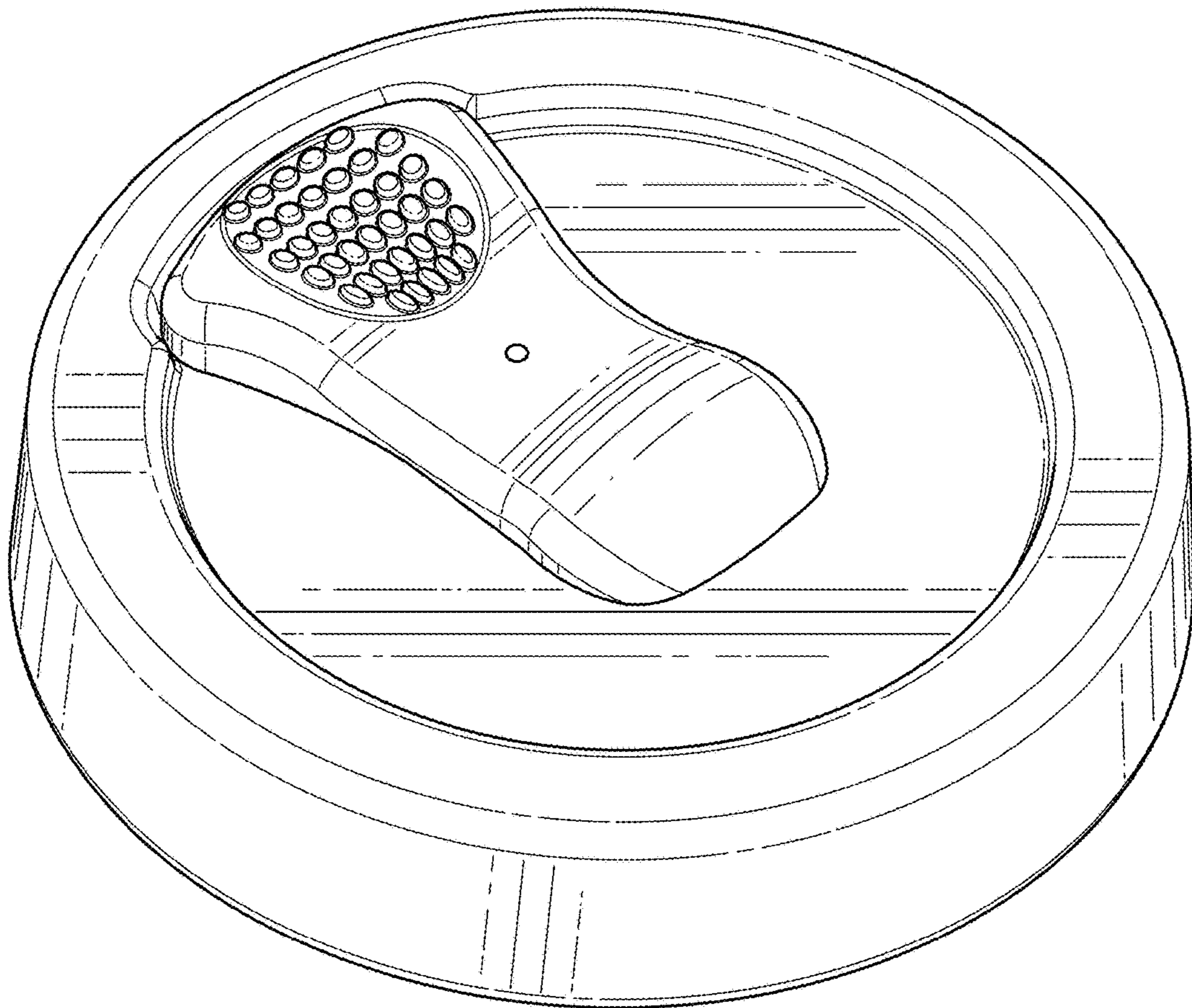


FIG. 7