



US00D810502S

(12) **United States Design Patent** (10) **Patent No.:** **US D810,502 S**  
**Joseph et al.** (45) **Date of Patent:** **\*\* Feb. 20, 2018**

- (54) **LID FOR BEVERAGE CONTAINER**
- (71) Applicant: **IGNITE USA, LLC**, Chicago, IL (US)
- (72) Inventors: **David Joseph**, St. Charles, IL (US);  
**Blair Miller**, Chciago, IL (US)
- (73) Assignee: **IGNITE USA, LLC**, Chicago, IL (US)
- (\*\*) Term: **15 Years**
- (21) Appl. No.: **29/580,064**
- (22) Filed: **Oct. 5, 2016**

D592,913 S 5/2009 Pinelli et al.  
 7,533,783 B2 5/2009 Choi et al.  
 7,708,035 B2 5/2010 Windmiller  
 (Continued)

**OTHER PUBLICATIONS**

“Contigo Cortland Water Bottle”. Found online Oct. 25, 2016 at amazon.com. Page dated Jul. 31, 2014. Retrieved from <https://www.amazon.com/Contigo-Cortland-Bottle-24-Ounce-Greyed/dp/B00MVODHO4>.\*

(Continued)

*Primary Examiner* — Robert M. Spear  
*Assistant Examiner* — Kendra Leslie Hamilton  
 (74) *Attorney, Agent, or Firm* — Marshall, Gerstein & Borun LLP

**Related U.S. Application Data**

- (63) Continuation of application No. 29/514,831, filed on Jan. 16, 2015.
- (51) **LOC (11) Cl.** ..... **07-01**
- (52) **U.S. Cl.**  
USPC ..... **D7/392.1**
- (58) **Field of Classification Search**  
USPC ..... D7/391, 392, 392.1, 396.1, 396.2, 509,  
D7/510, 511, 620; D9/435, 436, 440,  
D9/447, 516  
CPC ..... B65D 47/066  
See application file for complete search history.

(57) **CLAIM**

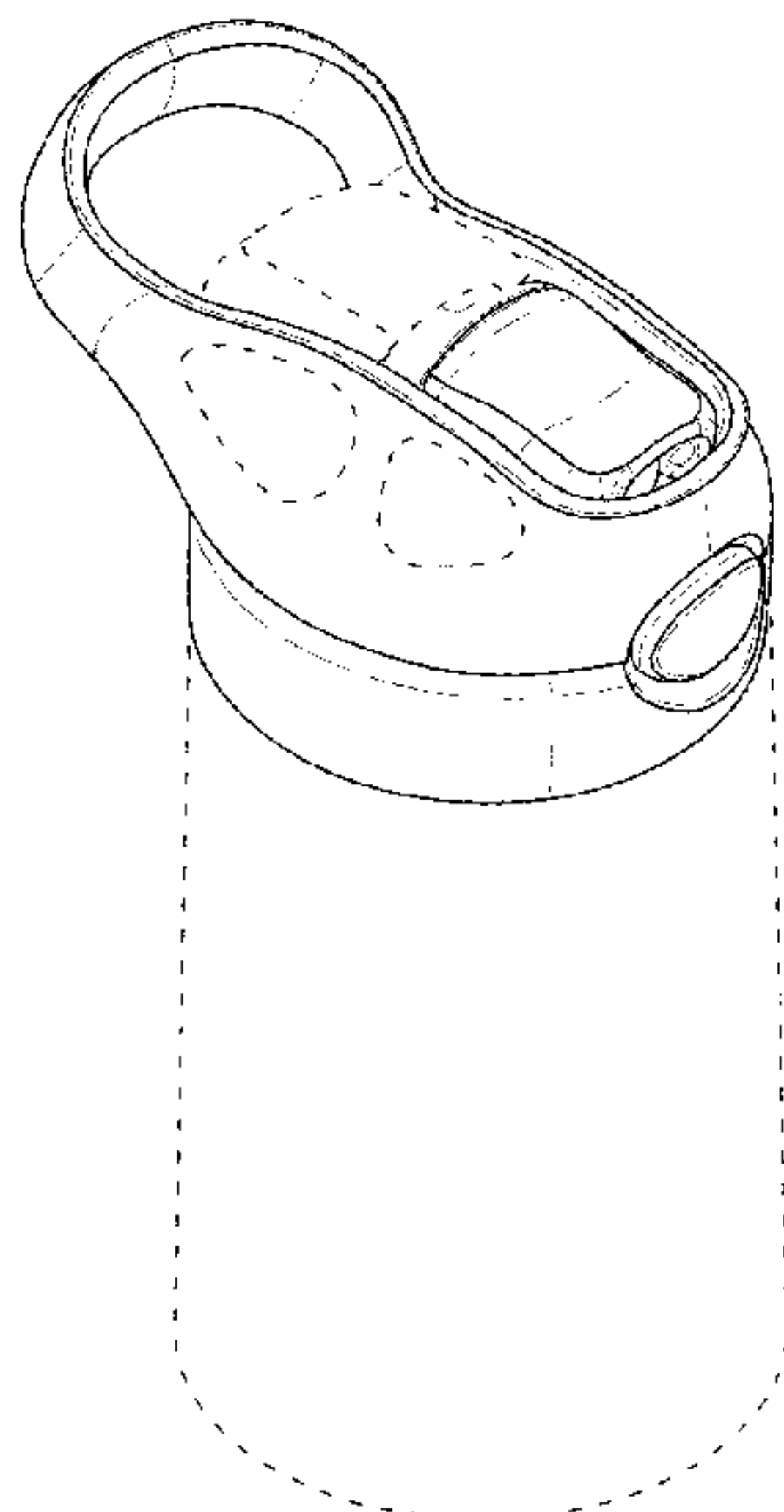
We claim the ornamental design for a lid for beverage container, as shown and described.

**DESCRIPTION**

FIG. 1 is a perspective view of a lid for beverage container, according to our new design;  
 FIG. 2 is a top view of the lid for beverage container shown in FIG. 1;  
 FIG. 3 is a bottom view of the lid for beverage container shown in FIG. 1;  
 FIG. 4 is a front view of the lid for beverage container shown in FIG. 1;  
 FIG. 5 is a rear view of the lid for beverage container shown in FIG. 1;  
 FIG. 6 is a left side view of the lid for beverage container shown in FIG. 1; and,  
 FIG. 7 is a right side view of the lid for beverage container shown in FIG. 1.  
 Features shown in broken lines in the drawings are not part of the claim.

- (56) **References Cited**  
U.S. PATENT DOCUMENTS
- 3,881,643 A 5/1975 LaVange
- 5,137,168 A 8/1992 Mothrath et al.
- 5,203,468 A 4/1993 Hsu
- 5,332,131 A 7/1994 Pehr
- 5,409,131 A 4/1995 Phillips et al.
- 5,427,271 A 6/1995 Wang
- 6,116,458 A 9/2000 Dark
- 6,279,773 B1 8/2001 Kiyota
- 6,523,711 B1 2/2003 Hughes et al.
- 6,609,624 B2 8/2003 Goto et al.
- 7,059,490 B2 6/2006 Son
- D533,061 S 12/2006 Li
- D547,607 S 7/2007 Forsman

**1 Claim, 7 Drawing Sheets**



(56)

References Cited

U.S. PATENT DOCUMENTS

7,766,057 B2 8/2010 Windmiller  
 D626,838 S 11/2010 Meyers et al.  
 D629,653 S 12/2010 Gullickson et al.  
 D634,161 S 3/2011 Roth et al.  
 D649,402 S 11/2011 Gilbert et al.  
 D652,256 S 1/2012 Eyal  
 D653,081 S 1/2012 George  
 D655,580 S 3/2012 Kotani  
 D660,487 S 5/2012 Wu  
 8,191,727 B2 6/2012 Davies et al.  
 D669,732 S 10/2012 Hopkins et al.  
 D670,134 S 11/2012 Di Lollo  
 D672,609 S 12/2012 Aziz et al.  
 D682,034 S 5/2013 El-Saden et al.  
 D690,162 S 9/2013 Staton  
 D690,556 S 10/2013 Boroski  
 8,550,269 B2 10/2013 Lane  
 D695,069 S 12/2013 Lane  
 8,602,238 B2 12/2013 El-Saden et al.  
 D700,012 S \* 2/2014 Hurley ..... D7/392.1  
 8,672,174 B1 3/2014 McMullin  
 D707,124 S \* 6/2014 Blain ..... D9/443  
 D714,154 S 9/2014 Keeler  
 D725,436 S 3/2015 Miller  
 D729,569 S \* 5/2015 Herbst ..... D7/392  
 D742,230 S \* 11/2015 Charles ..... D7/396.2  
 D745,827 S \* 12/2015 Sorensen ..... D7/392.1  
 D748,943 S \* 2/2016 Miller ..... D7/392.1  
 D752,916 S \* 4/2016 Goodwin ..... D7/392.1  
 D756,702 S \* 5/2016 Joseph ..... D7/392.1  
 D760,080 S \* 6/2016 Gorbald ..... D9/443  
 D763,688 S \* 8/2016 Breit ..... D9/443  
 2002/0036207 A1 3/2002 Ohuo et al.

2002/0158069 A1 10/2002 Yoneoka et al.  
 2003/0102318 A1 6/2003 Lee  
 2004/0069783 A1 4/2004 Chen  
 2007/0039959 A1 2/2007 Choi et al.  
 2008/0237233 A1 10/2008 Choi et al.  
 2008/0272134 A1 11/2008 Rohe  
 2010/0170902 A1 7/2010 Britto et al.  
 2010/0181329 A1 7/2010 Davies et al.  
 2010/0224631 A1 \* 9/2010 Roth ..... B65D 45/025  
 220/288  
 2011/0253733 A1 \* 10/2011 Meyers ..... B65D 47/089  
 220/833  
 2012/0145713 A1 6/2012 Jung  
 2015/0173539 A1 \* 6/2015 Mason ..... A47G 19/2272  
 220/707

OTHER PUBLICATIONS

“Contigo Autospout Addison Water Bottle”. Found online Aug. 26, 2015 at amazon.com. Page dated Jan. 2, 2012. Retrieved from [http://www.amazon.com/Contigo-Autospout-Addison-24-Ounce-Watermelon/dp/B00C5G3PCC/ref=cm\\_cr\\_pr\\_product\\_top?ie=UTF8](http://www.amazon.com/Contigo-Autospout-Addison-24-Ounce-Watermelon/dp/B00C5G3PCC/ref=cm_cr_pr_product_top?ie=UTF8).\*

“Groove Stainless .6L”. Found online Aug. 26, 2015 at shop.camelbak.com. Page dated Nov. 21, 2011. Retrieved from <http://shop.camelbak.com/groove-stainless-6l/d/1206>.\*

“Klean Kanteen: The Eco-Friendly Personal Hydration Bottle”. Found online Aug. 26, 2015 at earthtimes.org. Page dated Jun. 5, 2011. Retrieved from <http://www.earthtimes.org/green-blogs/green-living/klean-kanteen-the-eco-friendly-personal-hydration-bottle-05-Jun-11/>.\*

Photos of beverage container obtained from Starbucks Coffee, on or about Nov. 2011.

\* cited by examiner

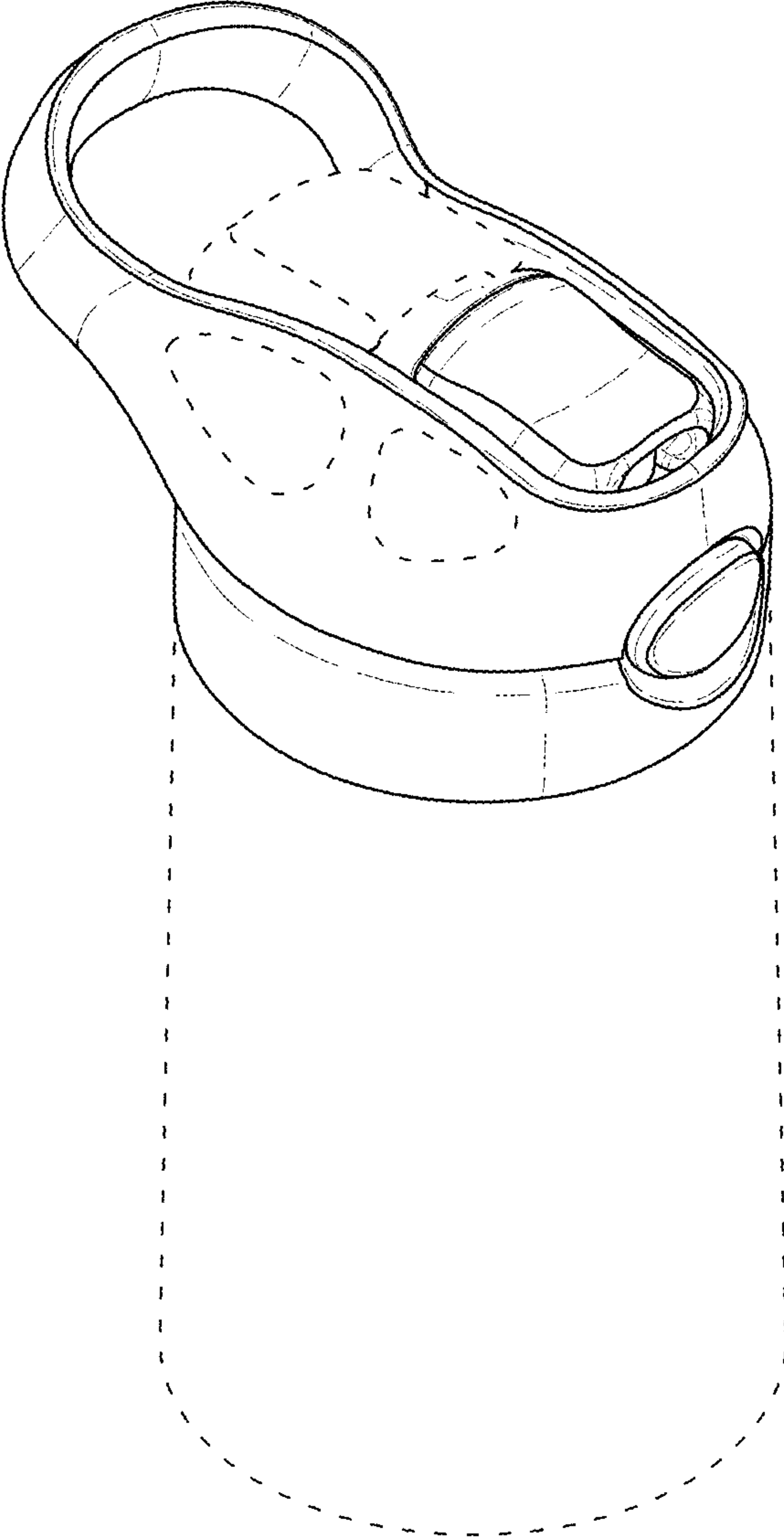


FIG. 1

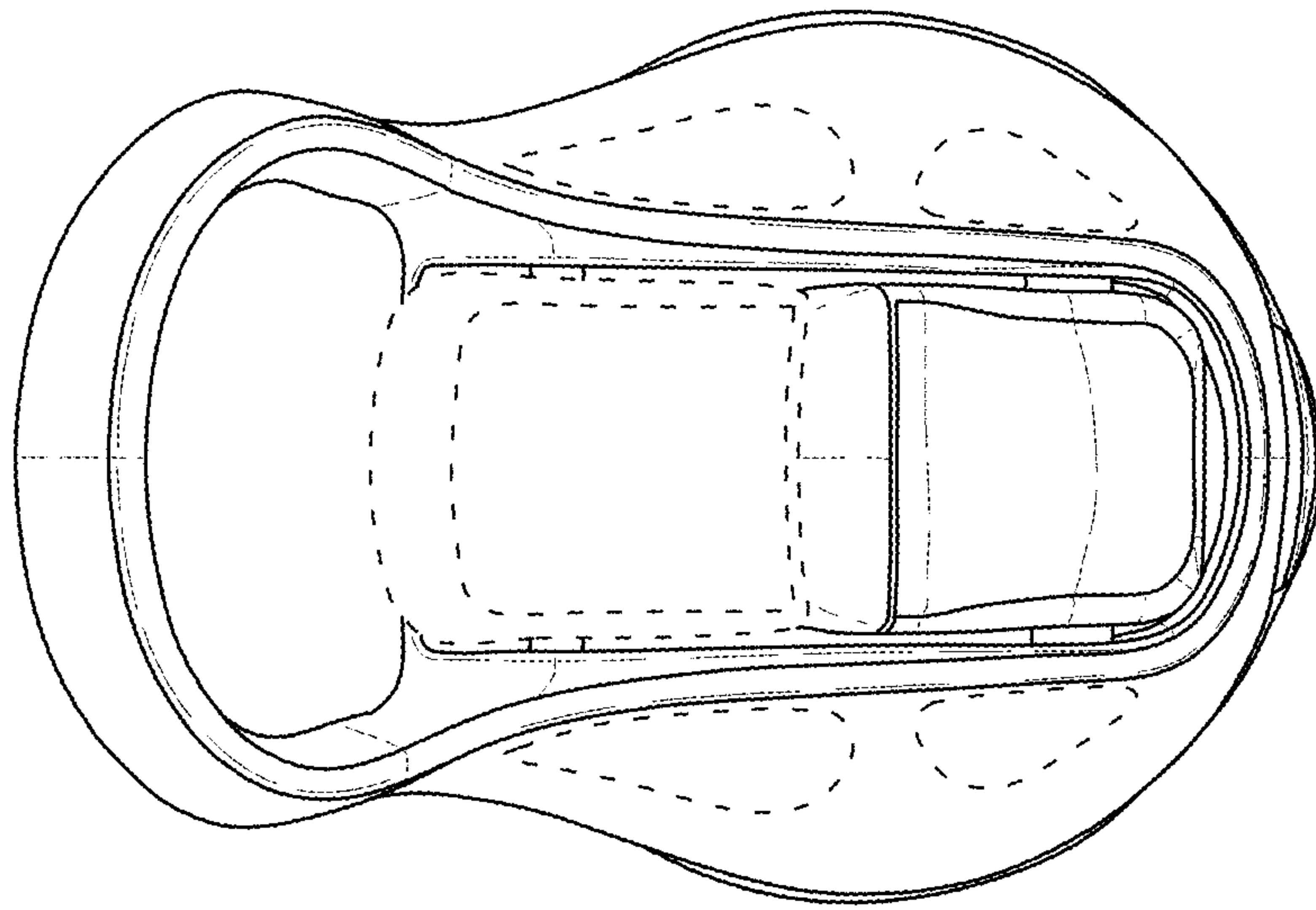


FIG. 2

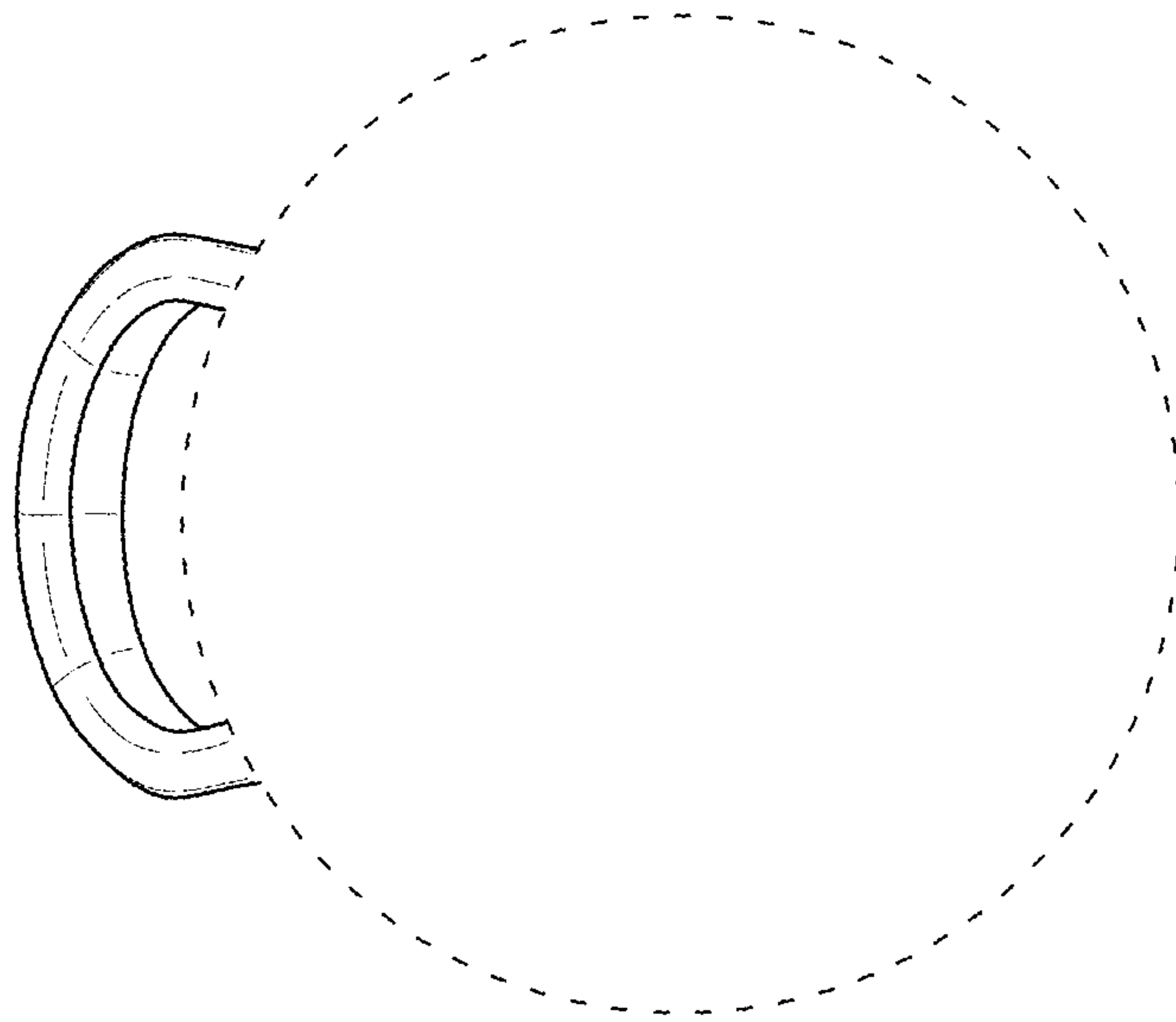


FIG. 3

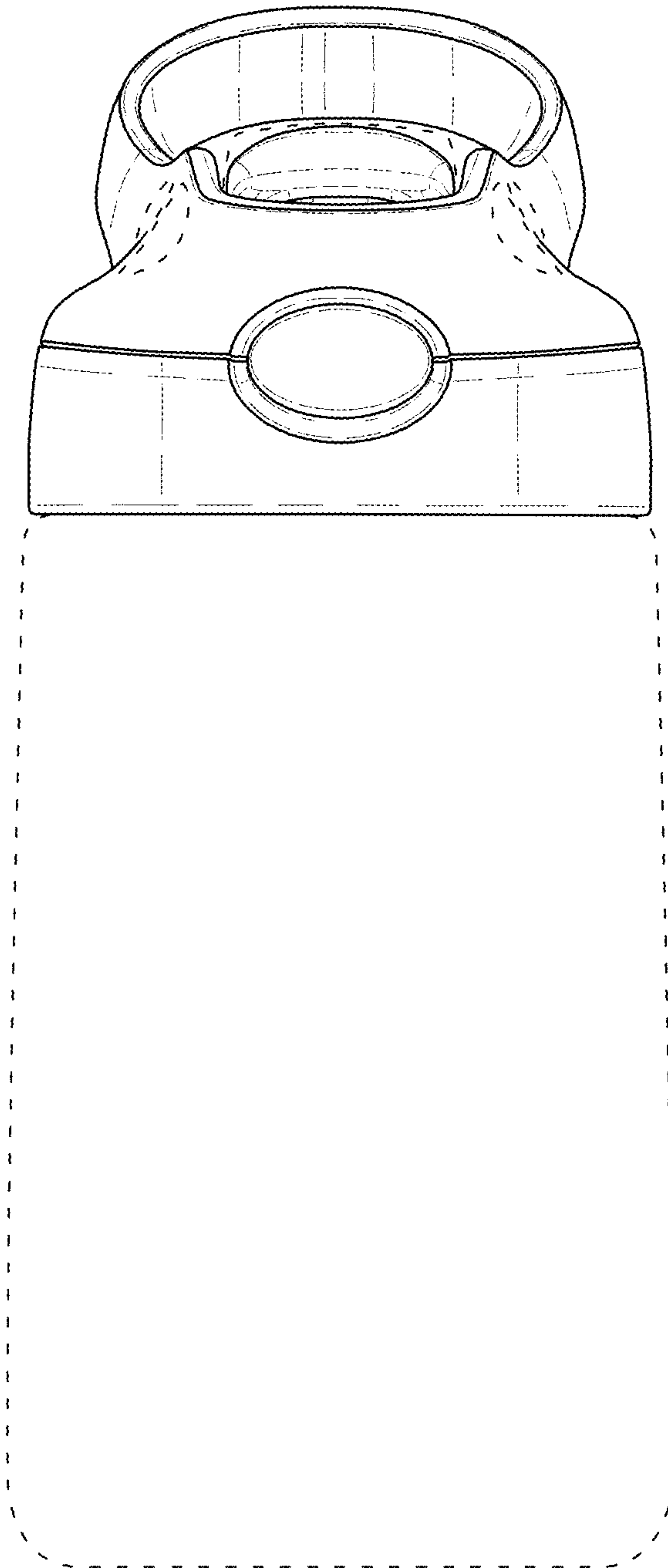


FIG. 4



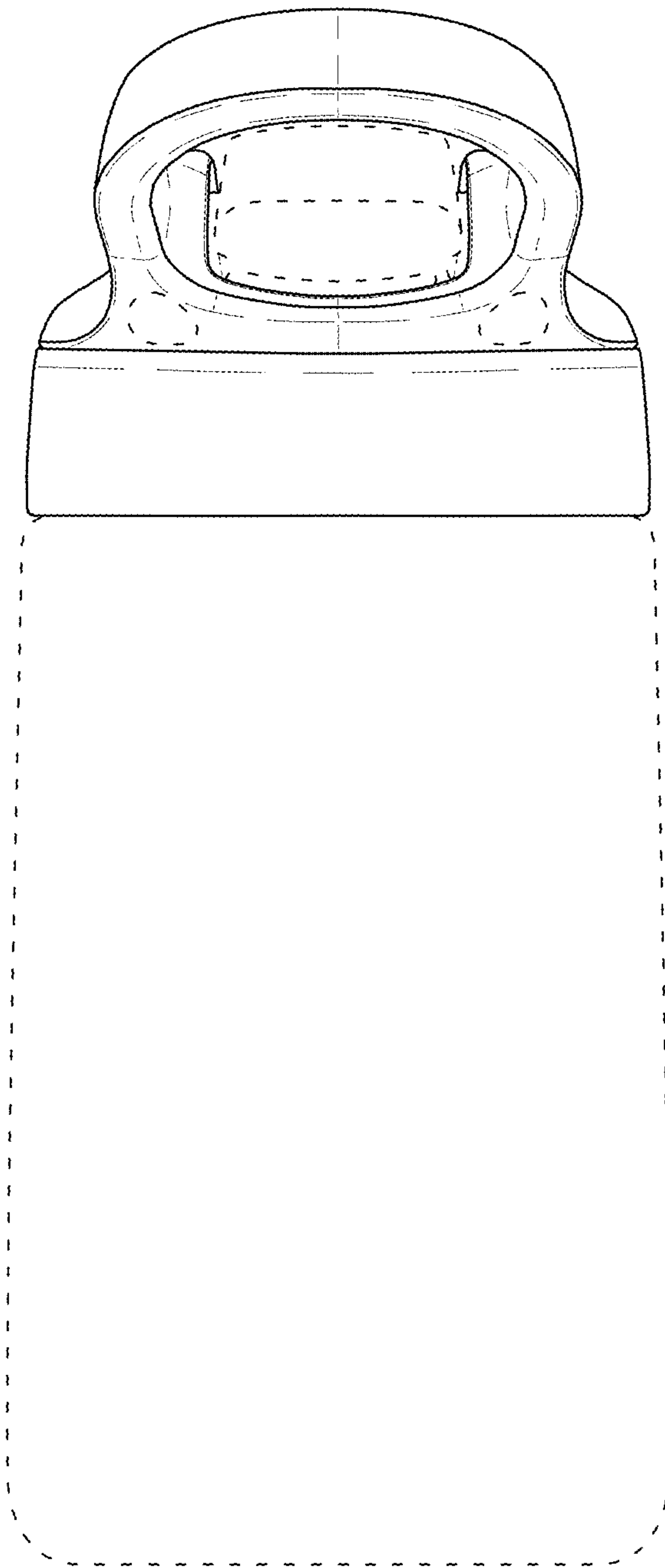


FIG. 5

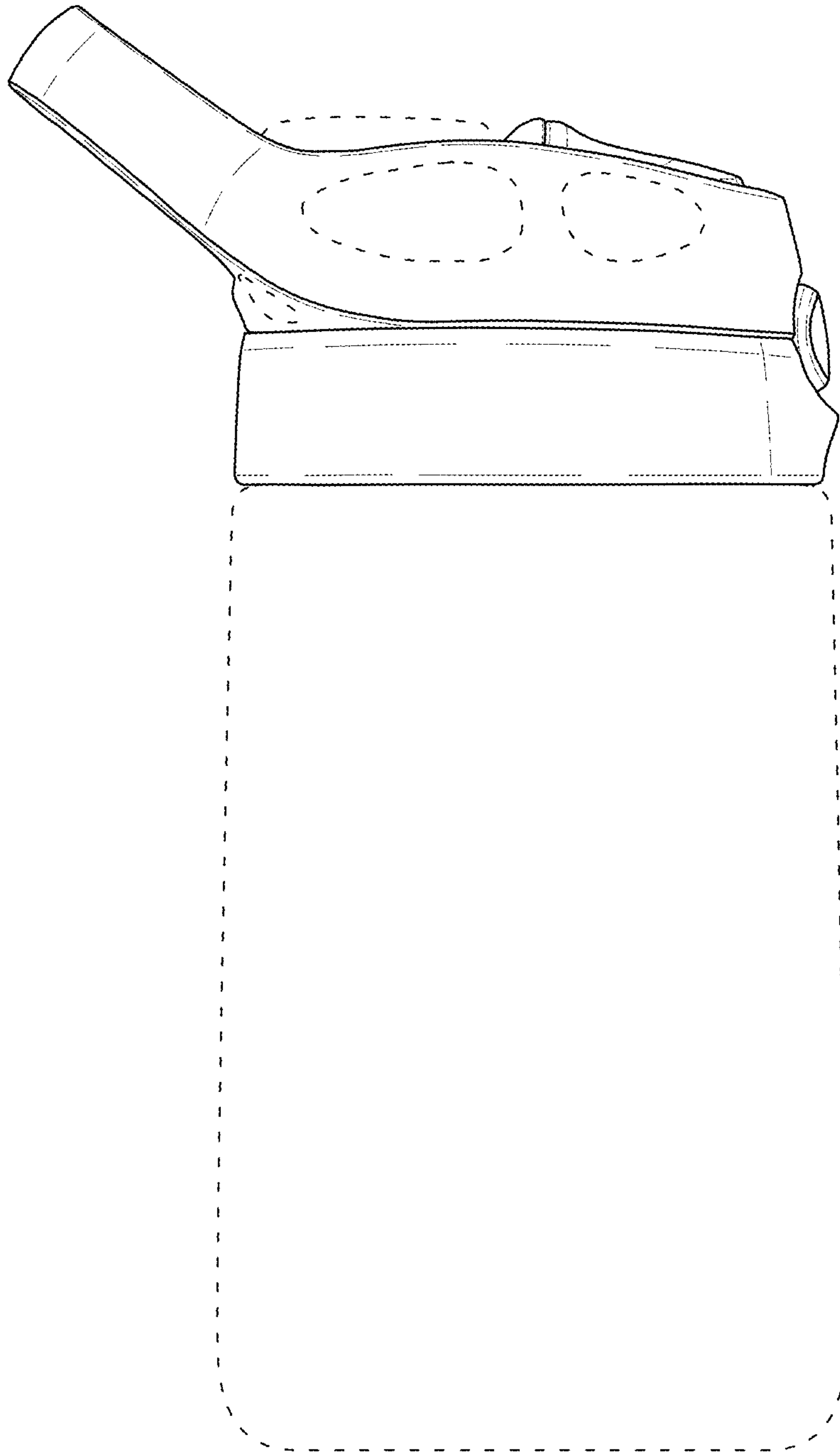


FIG. 6



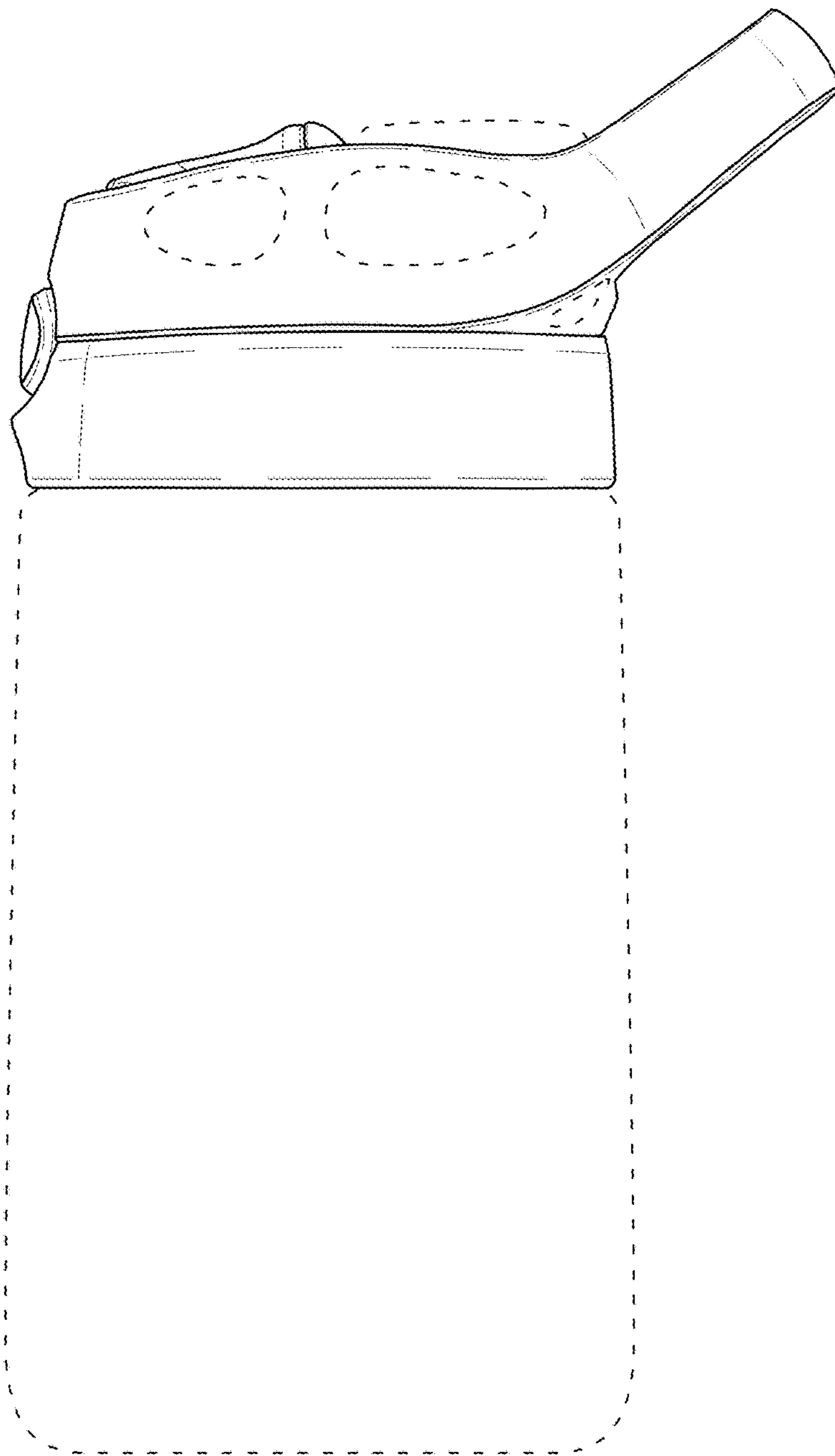


FIG. 7