



US00D810501S

(12) **United States Design Patent**
Kastner et al.

(10) **Patent No.:** **US D810,501 S**

(45) **Date of Patent:** **** Feb. 20, 2018**

(54) **COOKWARE LID**

(71) Applicant: **Meyer Intellectual Properties Limited,**
Kowloon (HK)

(72) Inventors: **Martin Kastner,** Chicago, IL (US);
Christoph Milz, Vallejo, CA (US)

(73) Assignee: **Meyer Intellectual Properties Limited,**
Kowloon (HK)

(**) Term: **15 Years**

(21) Appl. No.: **29/576,233**

(22) Filed: **Sep. 1, 2016**

Related U.S. Application Data

(63) Continuation of application No. 29/556,562, filed on
Mar. 1, 2016.

(51) **LOC (11) Cl.** **07-99**

(52) **U.S. Cl.**
USPC **D7/392.1**

(58) **Field of Classification Search**
USPC D7/391, 392.1, 323, 354-363, 396.1, 409
CPC A47G 19/06; A47G 19/12; A47J 27/00;
A47J 27/002; A47J 27/08; A47J 27/21;
A47J 27/58; A47J 36/025; A47J 36/06;
A47J 36/12; A47J 37/00; A47J 37/10;
A47J 37/101; A47J 37/103; A47J 37/108;
A47J 37/12; A47J 37/1204; A47J 45/061;
A47J 45/065; A47J 45/068; A47J 45/071;
A47J 45/08; H05B 6/12

See application file for complete search history.

(56) **References Cited**

U.S. PATENT DOCUMENTS

1,773,506 A 8/1930 Torndahl
D147,950 S * 11/1947 Blazey D7/360
D263,441 S * 3/1982 Johnson D7/391
D273,755 S 5/1984 Thurlow
D274,402 S * 6/1984 Ziskind D7/391

D368,828 S * 4/1996 Thurlow D7/360
D370,826 S * 6/1996 Thurlow D7/360
D418,009 S * 12/1999 Banc D7/360
D431,149 S * 9/2000 Cooke D7/354
D431,411 S * 10/2000 Chang D7/362
D438,754 S * 3/2001 Mendelson D7/391
6,419,107 B1 7/2002 Cheng
D479,432 S * 9/2003 Barker D7/360
D488,670 S * 4/2004 Chan D7/357
D496,555 S 9/2004 Rommelfanger et al.

(Continued)

OTHER PUBLICATIONS

Frieling USA Black Cube Hybrid Stainless/Nonstick Cookware
Tempered Glass Lid, 8-Inch Diameter, posted at Amazon.com,
posted on Sep. 24, 2015, site visited Feb. 8, 2017, <https://www.amazon.com/Frieling-Stainless-Nonstick-Cookware-Tempered/dp/B015XX9FF4/ref=sr_1_7?ie=UTF8&qid=1486571221&sr=8-7&keywords=glass+and+metal+pan+lid>.*

(Continued)

Primary Examiner — Barbara Fox

Assistant Examiner — Messina L Smith

(74) *Attorney, Agent, or Firm* — Akerman LLP

(57) **CLAIM**

The ornamental design for a cookware lid, as shown and
described.

DESCRIPTION

FIG. 1 is a perspective view of a cookware lid showing our
new design;

FIG. 2 is a front view thereof;

FIG. 3 is a back view thereof;

FIG. 4 is a right side view thereof;

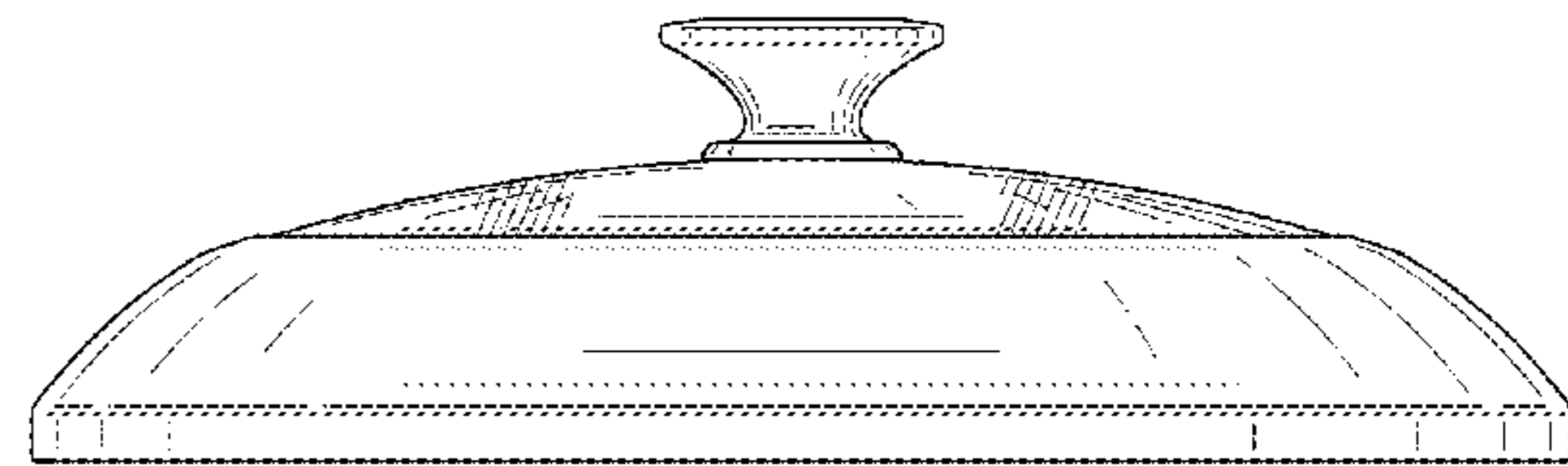
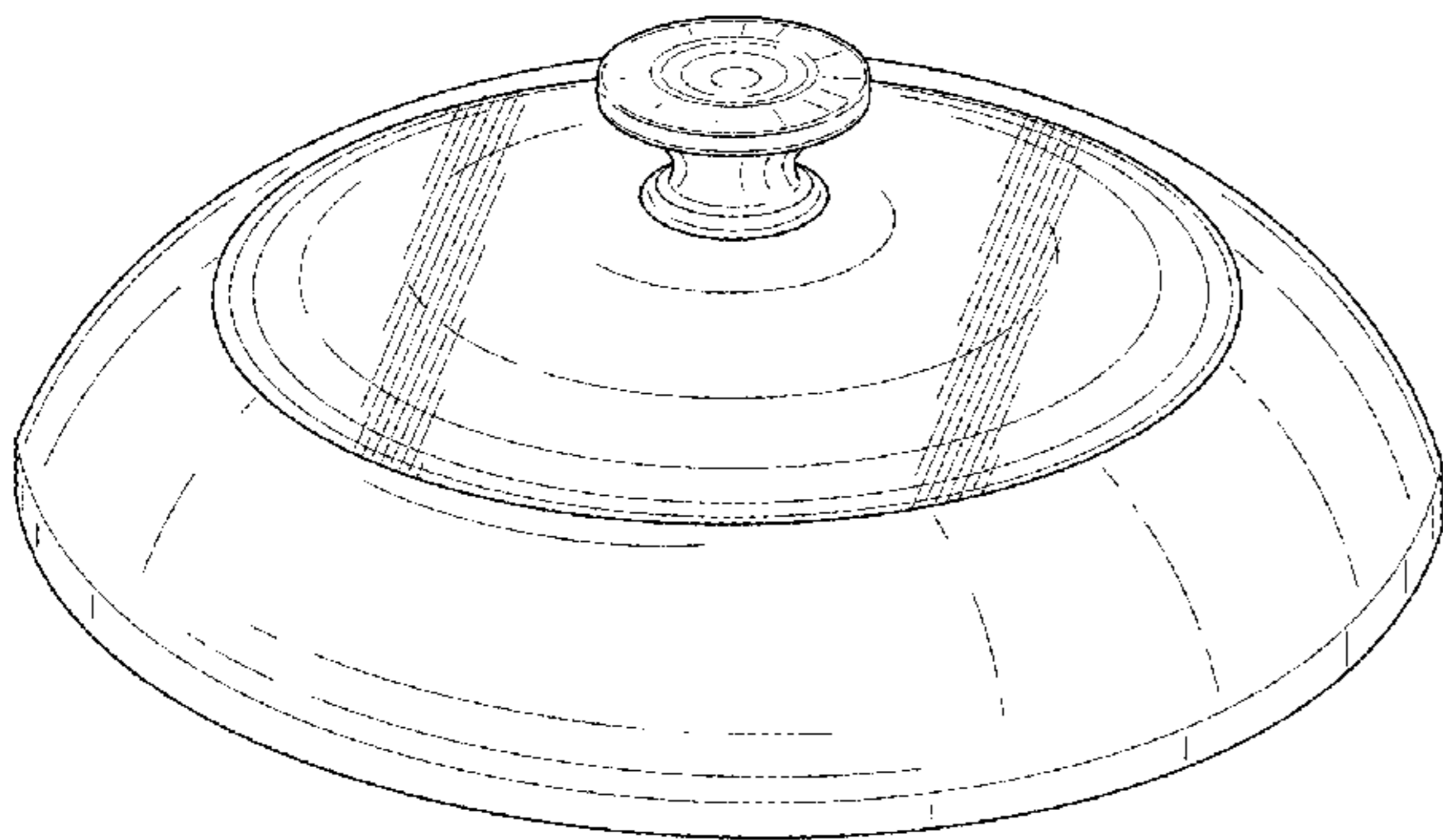
FIG. 5 is a left side view thereof;

FIG. 6 is a top view thereof; and,

FIG. 7 is a bottom view thereof.

The broken lines in the figures illustrate portions of the
cookware lid that form no part of the claimed design.

1 Claim, 5 Drawing Sheets



(56)

References Cited

OTHER PUBLICATIONS

U.S. PATENT DOCUMENTS

D543,772 S 6/2007 Roussard
 D548,518 S 8/2007 Rae
 D550,030 S * 9/2007 Peterson D7/392.1
 D555,421 S 11/2007 Thurlow et al.
 D557,062 S * 12/2007 Henry D7/360
 D575,578 S * 8/2008 Ball D7/360
 D576,446 S 9/2008 Rae
 D579,714 S 11/2008 Cheng et al.
 D584,105 S 1/2009 Moulin Robson
 D592,450 S 5/2009 Rae
 D592,902 S * 5/2009 Currie D7/355
 D598,702 S 8/2009 Hoekstra
 D612,193 S * 3/2010 Darling D7/354
 D614,908 S * 5/2010 Berge D7/354
 D614,909 S * 5/2010 Lavy D7/354
 D622,541 S 8/2010 Josancy
 D625,950 S * 10/2010 Regnart D7/391
 D642,015 S 7/2011 Rae
 D658,436 S 5/2012 Rae
 D663,576 S 7/2012 McEldowney
 D666,272 S * 8/2012 Shi D23/207
 D685,222 S 7/2013 Dang
 D693,634 S 11/2013 Lee et al.
 D693,635 S 11/2013 Lee et al.
 D728,998 S 5/2015 Barberi
 D757,488 S 5/2016 McConnell et al.
 D761,613 S * 7/2016 Moon D7/354
 D763,618 S 8/2016 Feng et al.
 2001/0042753 A1 * 11/2001 Park A47J 27/002
 220/573.1
 2004/0200851 A1 * 10/2004 Wooderson A47J 45/062
 220/759
 2011/0260023 A1 * 10/2011 Braun A47J 36/12
 248/220.21
 2012/0055347 A1 * 3/2012 Kim A47J 36/38
 99/447
 2015/0196157 A1 7/2015 Swisth

Visual kitchen pot lid tempered glass cover large non-stick saucepan skillet stainless steel, posted at Aliexpress.com, no posting date given, © 2010-2016, site visited Feb. 8, 2017, <https://www.aliexpress.com/store/product/Visual-kitchen-pot-lid-tempered-glass-cover-large-non-stick-saucepan-skillet-stainless-steel-wok-lid/1726173_32453754257.html>.*
 Visions® 2.25L Casserole, 2.5L Saucepan / Stewpot Glass Lid, posted at Corningware.com, posted on Mar. 3, 2016, site visited Feb. 8, 2017, <http://www.corningware.com/2.25l-casserole,-2.5l-saucepan-%2F-stewpot-glass-lid/1122299.html>.*
 10-piece Stainless Steel Cookware Set with Glass Lids, posted at Houzz.com, no posting date given, © 2017, <http://www.houzz.com/photos/5834412/10-piece-Stainless-Steel-Cookware-Set-with-Glass-Lids-contemporary-cookware-sets>.*
 Japanese Office Action dated Jun. 27, 2017 issued in connection with Japanese Design Application No. 2016-018858.
 The Kitchen Craft Difference, posted at Kitchencraftcookware.com, no posting date given, © 2017, <http://www.kitchencraftcookware.com/about-us/>.*
 Nonstick Jumbo Cooker/Sauté Pan Grey 11 inches—Deep Frying Pan Cookware with Glass Lid, posted at Amazon.com, posted on Mar. 31, 2015, site visited Feb. 8, 2017, <https://www.amazon.com/Nonstick-Jumbo-Cooker-Sau%C3%A9-inches/dp/BOOVGZ9XVA/ref=sr_1_1?ie=UTF8&qid=1486570885&sr=8-1&keywords=deep+frying+pan+with+lid>.*
 Stainless Steel Saucier Pan, posted at LeCreuset.com, posted on Dec. 18, 2016, site visited Feb. 8, 2017, <http://www.lecreuset.com/stainless-steel-saucier-pans>.*
 Revere® Copper Confidence Core™ 2-qt Stainless Steel Sauce Pot w/ Lid, posted at Revereware.com, no posting date given, © 2017, site visited Feb. 8, 2017, <http://www.revereware.com/copper-confidence-core%E2%08%A2-2-qt-stainless-steel-sauce-pot-w%2F-lid/1123142.html>.*

* cited by examiner

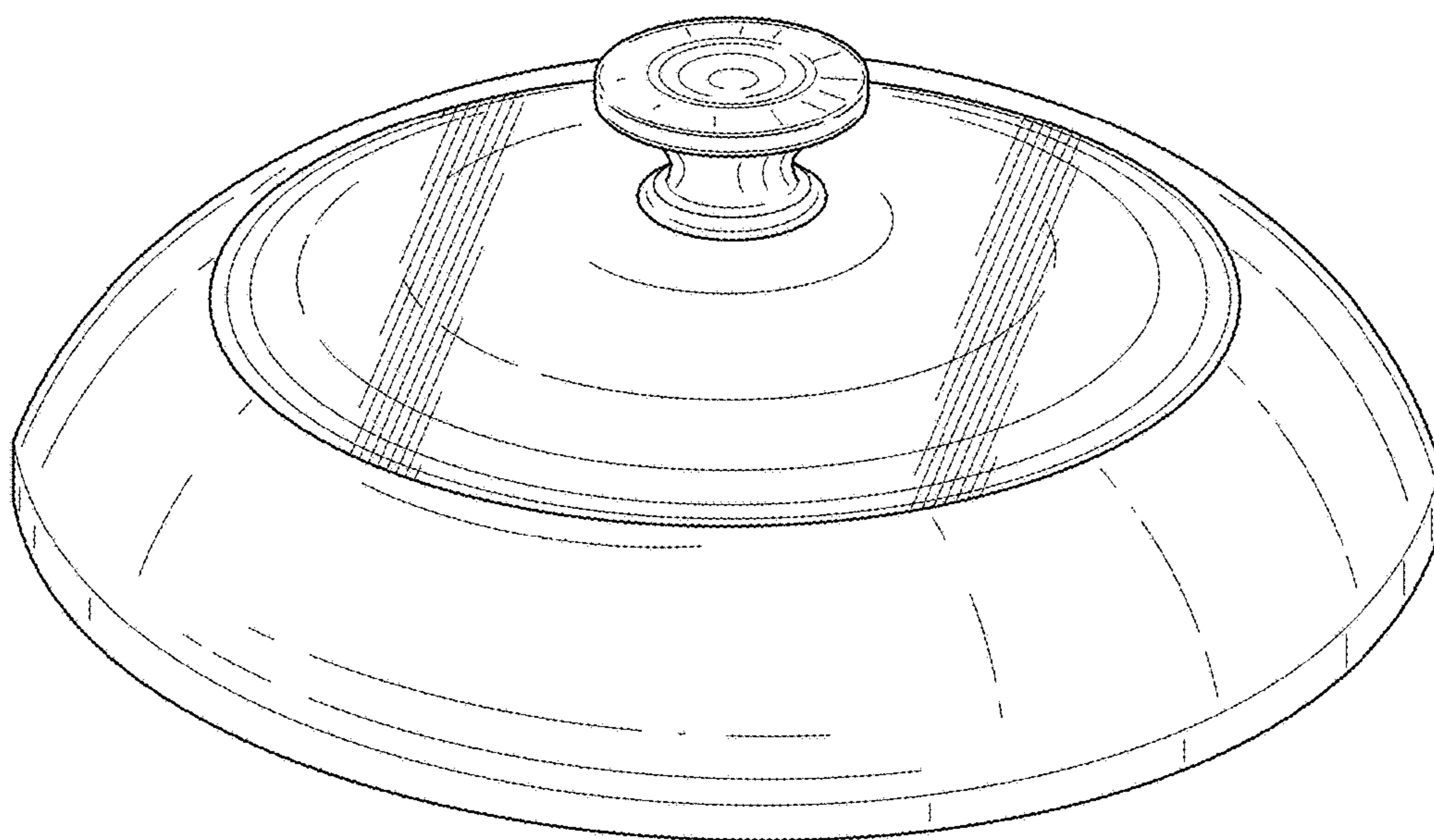


FIG. 1

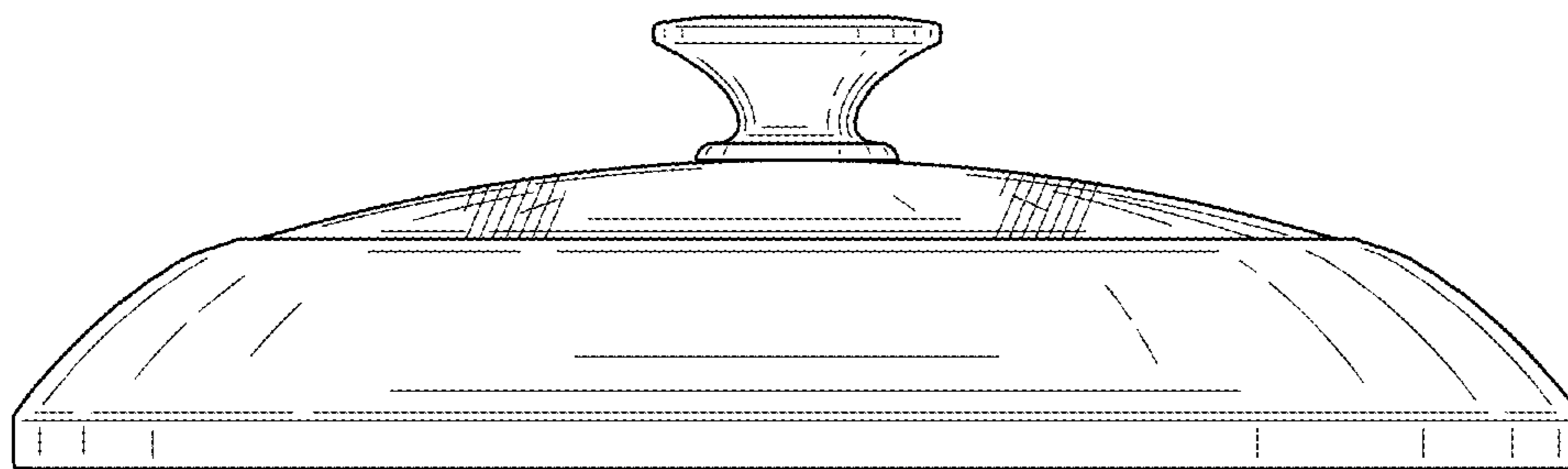


FIG. 2

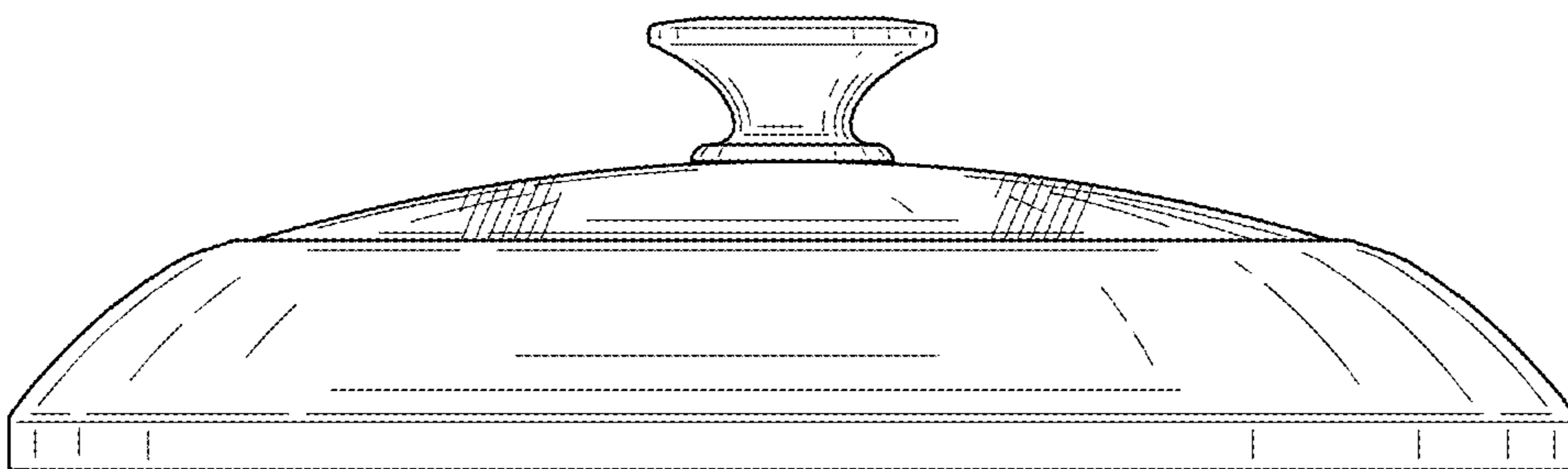


FIG. 3

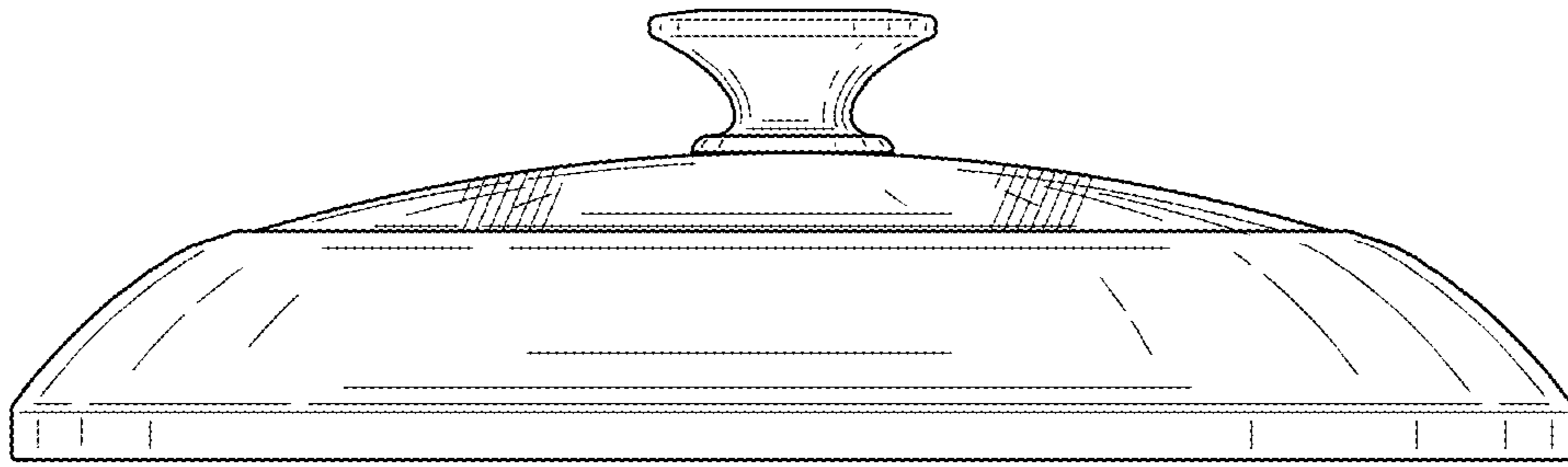


FIG. 4

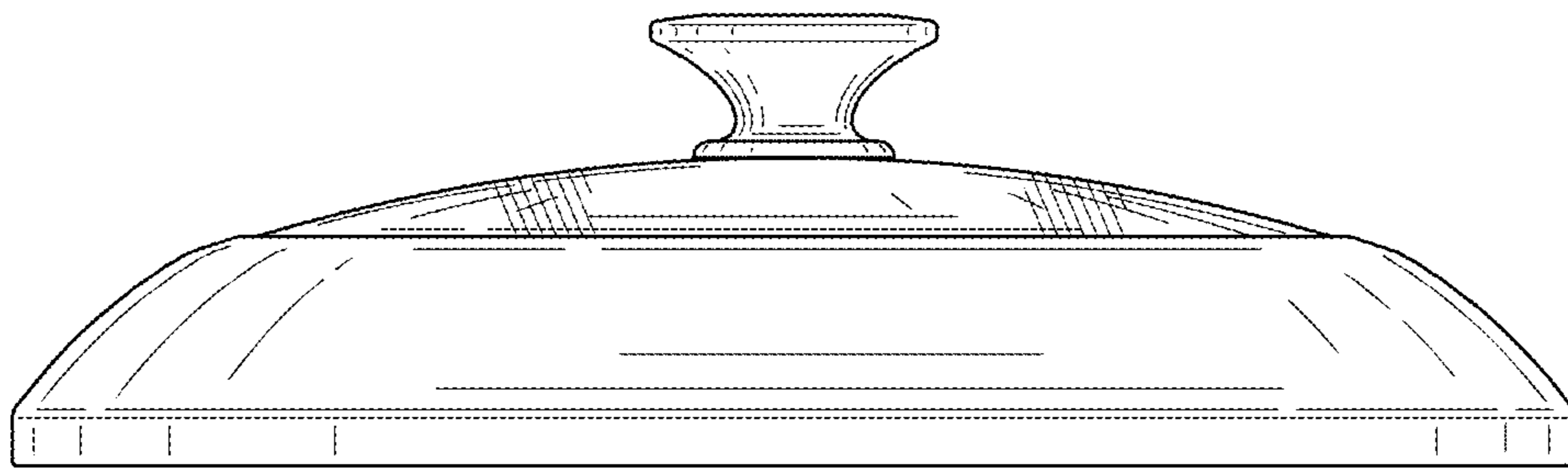


FIG. 5

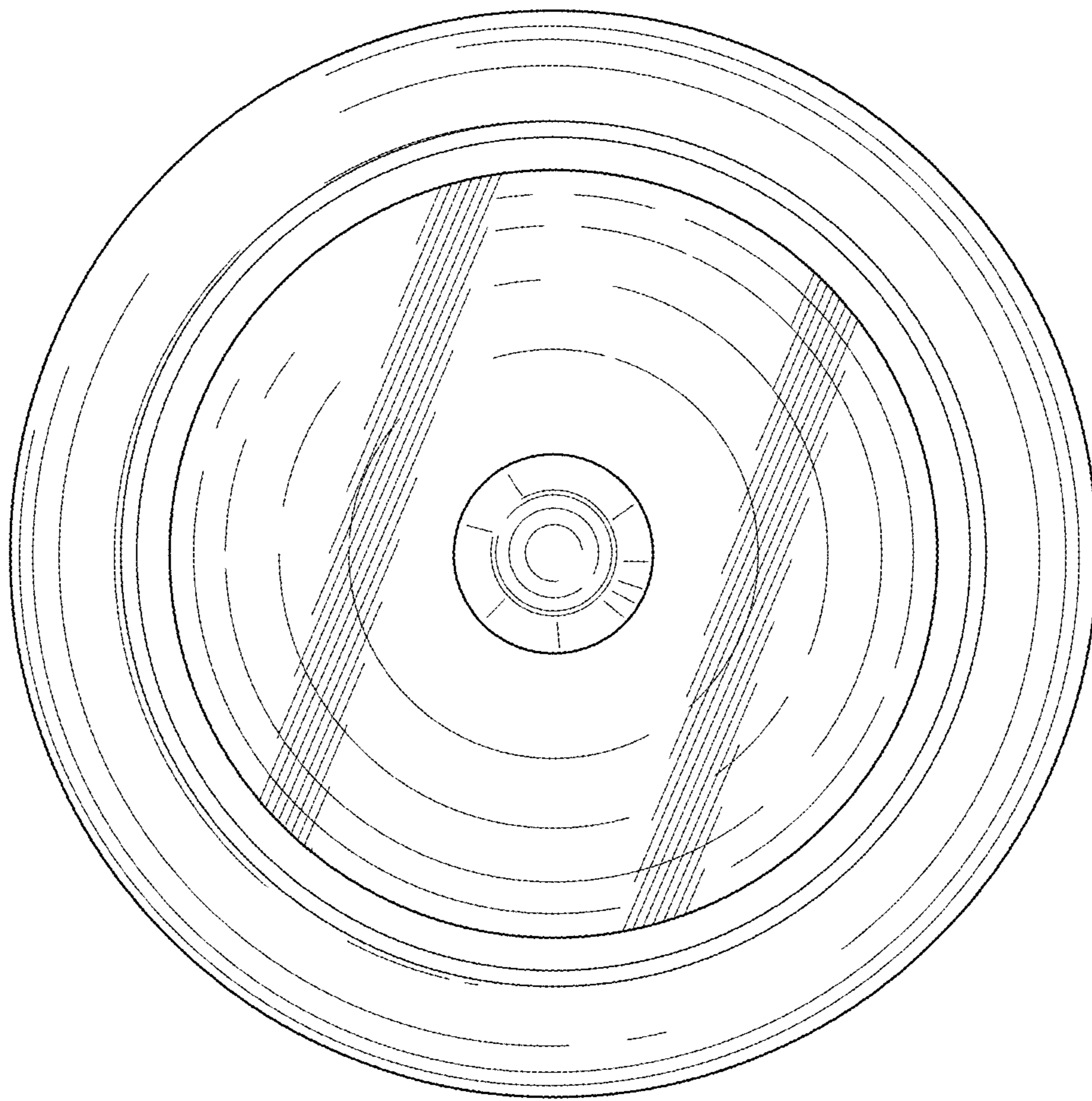


FIG. 6

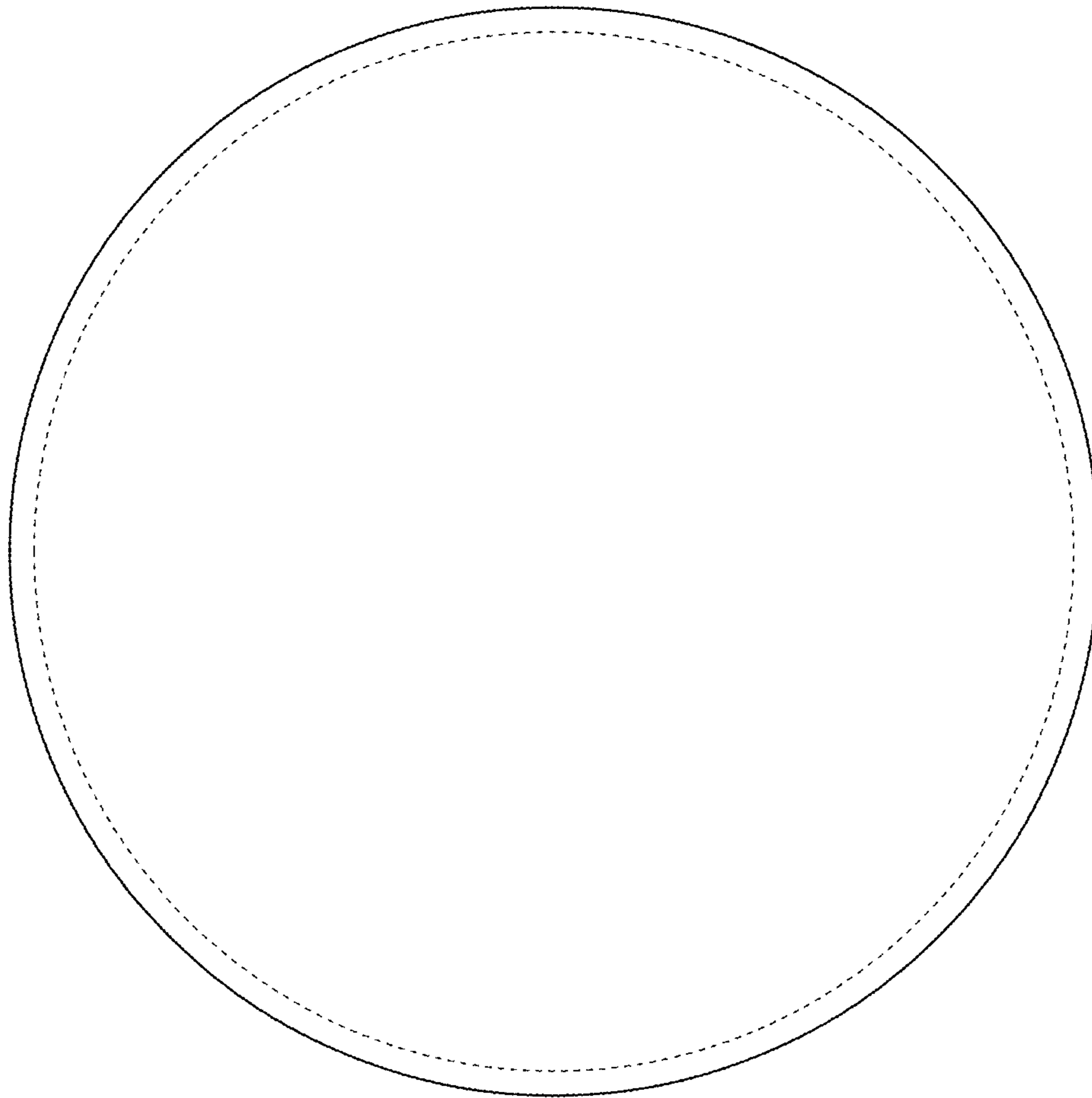


FIG. 7