



US00D810500S

(12) **United States Design Patent**
Maple

(10) **Patent No.:** **US D810,500 S**

(45) **Date of Patent:** **** Feb. 20, 2018**

(54) **FLUID DISPENSING LID**

(71) Applicant: **Zak Designs, Inc.**, Spokane, WA (US)

(72) Inventor: **Wade Maple**, Spokane, WA (US)

(73) Assignee: **Zak Designs, Inc.**, Spokane, WA (US)

(**) Term: **15 Years**

(21) Appl. No.: **29/555,773**

(22) Filed: **Feb. 24, 2016**

(51) **LOC (11) Cl.** **07-01**

(52) **U.S. Cl.**
USPC **D7/392.1**

(58) **Field of Classification Search**
USPC D7/391, 392, 392.1, 396.1, 396.2, 509,
D7/510, 511, 620; D9/435, 436, 440,
D9/447, 516

CPC A47G 19/2272
See application file for complete search history.

(56) **References Cited**

U.S. PATENT DOCUMENTS

5,873,478	A *	2/1999	Sullivan	A47G 19/2266 215/389
D508,185	S *	8/2005	Gauss	D7/392.1
D620,355	S *	7/2010	Nardini	D9/443
D627,602	S *	11/2010	Eyal	D7/510
D649,879	S *	12/2011	Gullickson	D9/443
D663,209	S *	7/2012	Maas	D7/510
D683,581	S *	6/2013	Archer	D7/392.1
D724,384	S *	3/2015	Donovan	D7/510
D755,562	S *	5/2016	Lindsay	D7/392.1
2007/0175931	A1 *	8/2007	Leoncavallo	B65D 47/0895 222/556
2008/0078200	A1 *	4/2008	Roth	A47J 36/2416 62/457.4
2009/0236341	A1 *	9/2009	McKinney	A47G 19/2266 220/375
2011/0278216	A1 *	11/2011	Hull	A47G 19/2266 210/236

OTHER PUBLICATIONS

“Cascade BPA-Free Sport Bottle”. Found online Oct. 27, 2016 at inkhead.com. Page dated Aug. 30, 2014. Retrieved from <http://web.archive.org/web/20140830044940/http://www.inkhead.com/cascade-bpa-free-sport-bottle/15009/>.*

“Hydro Flask Wide Mouth Straw Lid”. Found online Oct. 27, 2016 at amazon.com. Page dated Jul. 4, 2013. Retrieved from https://www.amazon.com/Hydro-Flask-Mouth-Straw-Black/dp/B01GW2HF98/ref=cm_cr_arp_d_product_top?ie=UTF8.*

(Continued)

Primary Examiner — Robert M Spear

Assistant Examiner — Kendra L Hamilton

(74) *Attorney, Agent, or Firm* — Randall Danskin P.S.

(57) **CLAIM**

I claim the ornamental design for a fluid dispensing lid, as shown and described.

DESCRIPTION

FIG. 1 is a top front right perspective view of a fluid dispensing lid, the present invention, in a closed configuration.

FIG. 2 is a front elevational view thereof.

FIG. 3 is a right elevational view thereof.

FIG. 4 is a rear elevational view thereof.

FIG. 5 is a top plan view thereof.

FIG. 6 is a bottom plan view thereof.

FIG. 7 is a top front right perspective view of the fluid dispensing lid of FIG. 1, in an open configuration.

FIG. 8 is a front elevational view thereof.

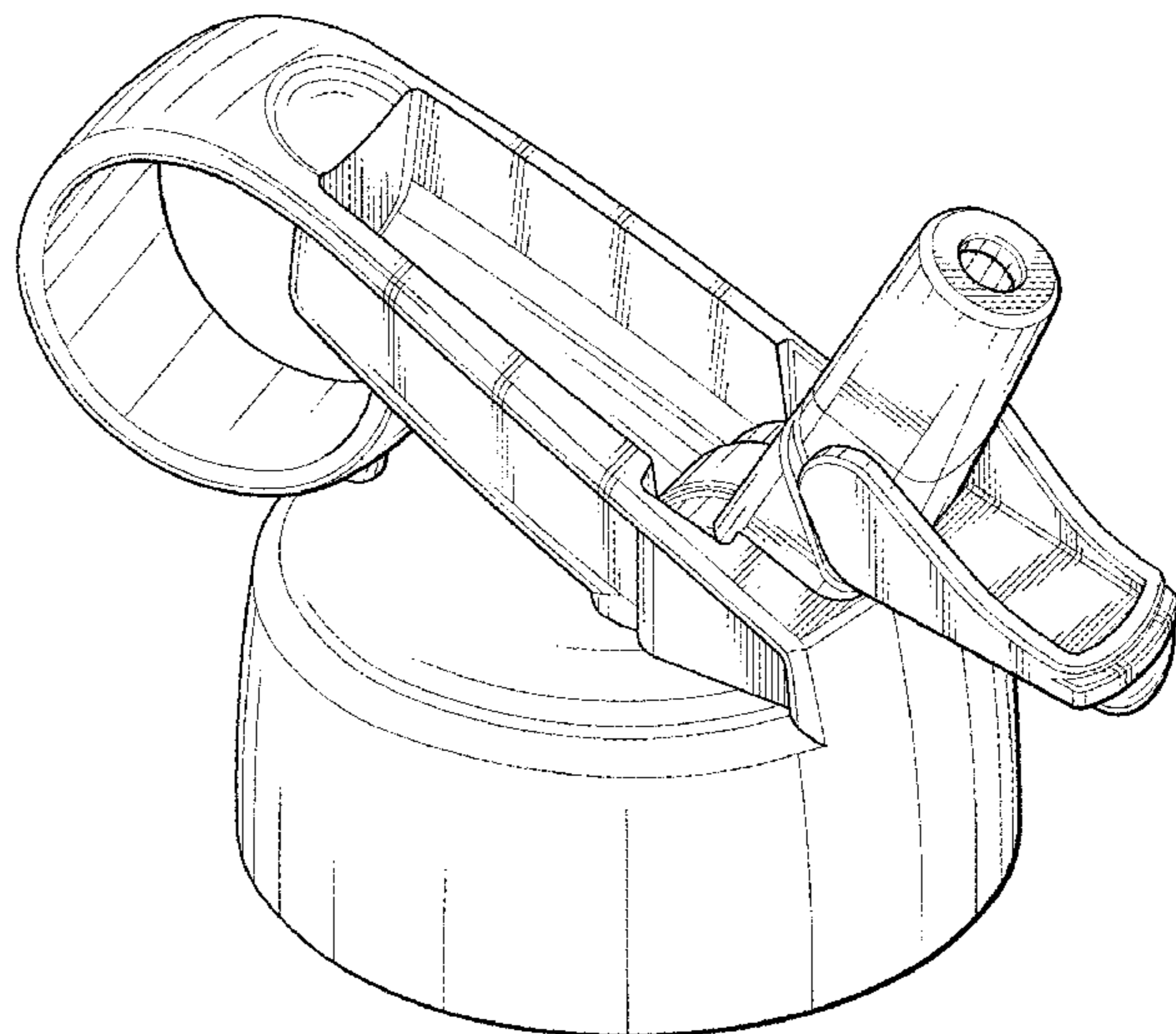
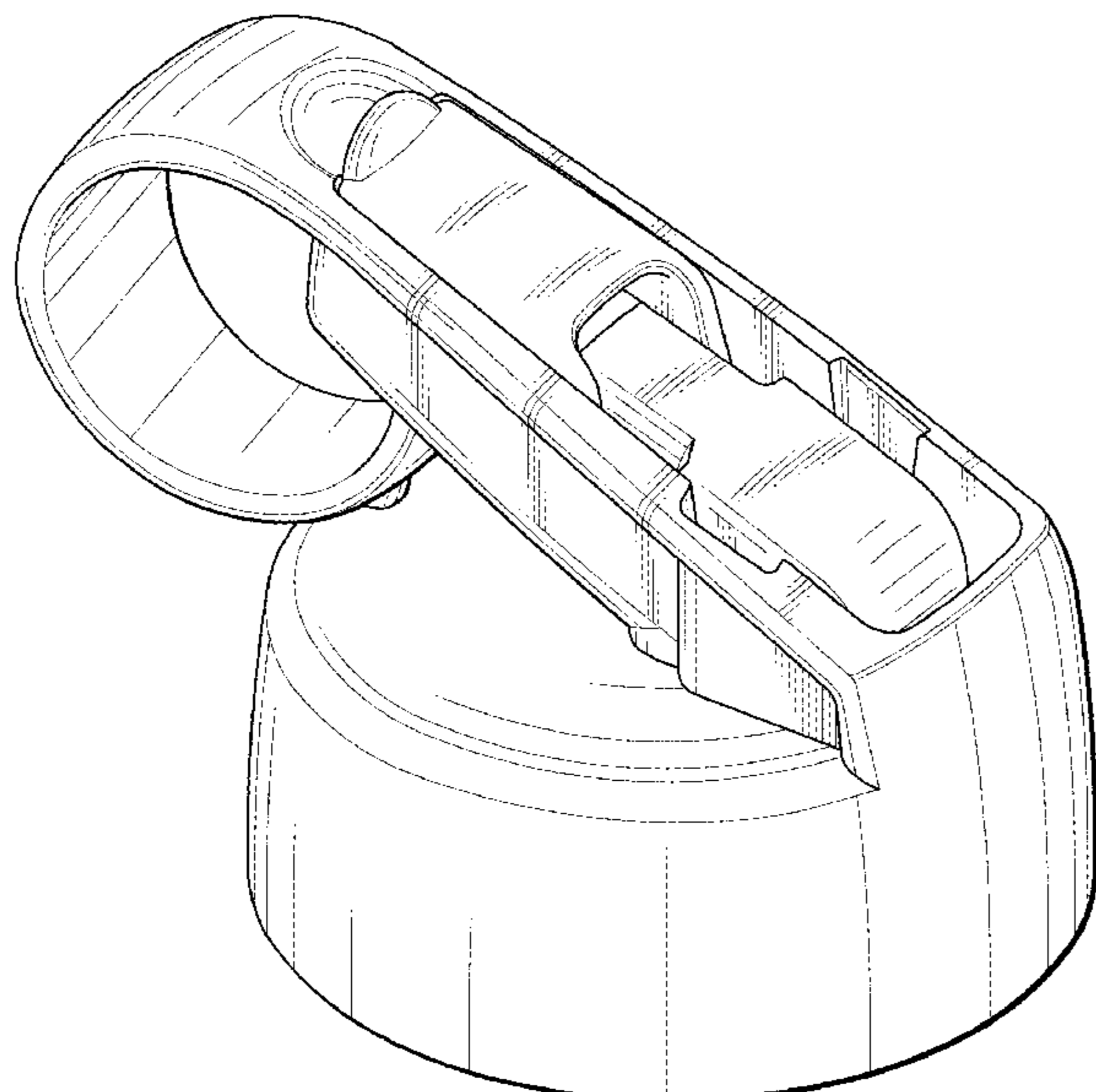
FIG. 9 is a right elevational view thereof.

FIG. 10 is a rear elevational view thereof.

FIG. 11 is a top plan view thereof; and,

FIG. 12 is a bottom plan view thereof.

1 Claim, 12 Drawing Sheets



(56)

References Cited

OTHER PUBLICATIONS

“Nuby’s Flip-It Top Gator Grip Review”. Found online Oct. 27, 2016 at mommyscraftobsession.com. Page dated Mar. 8, 2013. Retrieved from <http://www.mommyscraftobsession.com/2013/03/nubys-flip-it-top-gator-grip-review.html>.*

“Rubbermaid Shaker Bottle”. Found online Oct. 26, 2016 at [amazon.com](https://www.amazon.com/Rubbermaid-Shaker-Bottle-28-Ounce-Black/dp/B00J2QLC9G). Page dated May 30, 2014. Retrieved from <https://www.amazon.com/Rubbermaid-Shaker-Bottle-28-Ounce-Black/dp/B00J2QLC9G>.*

* cited by examiner

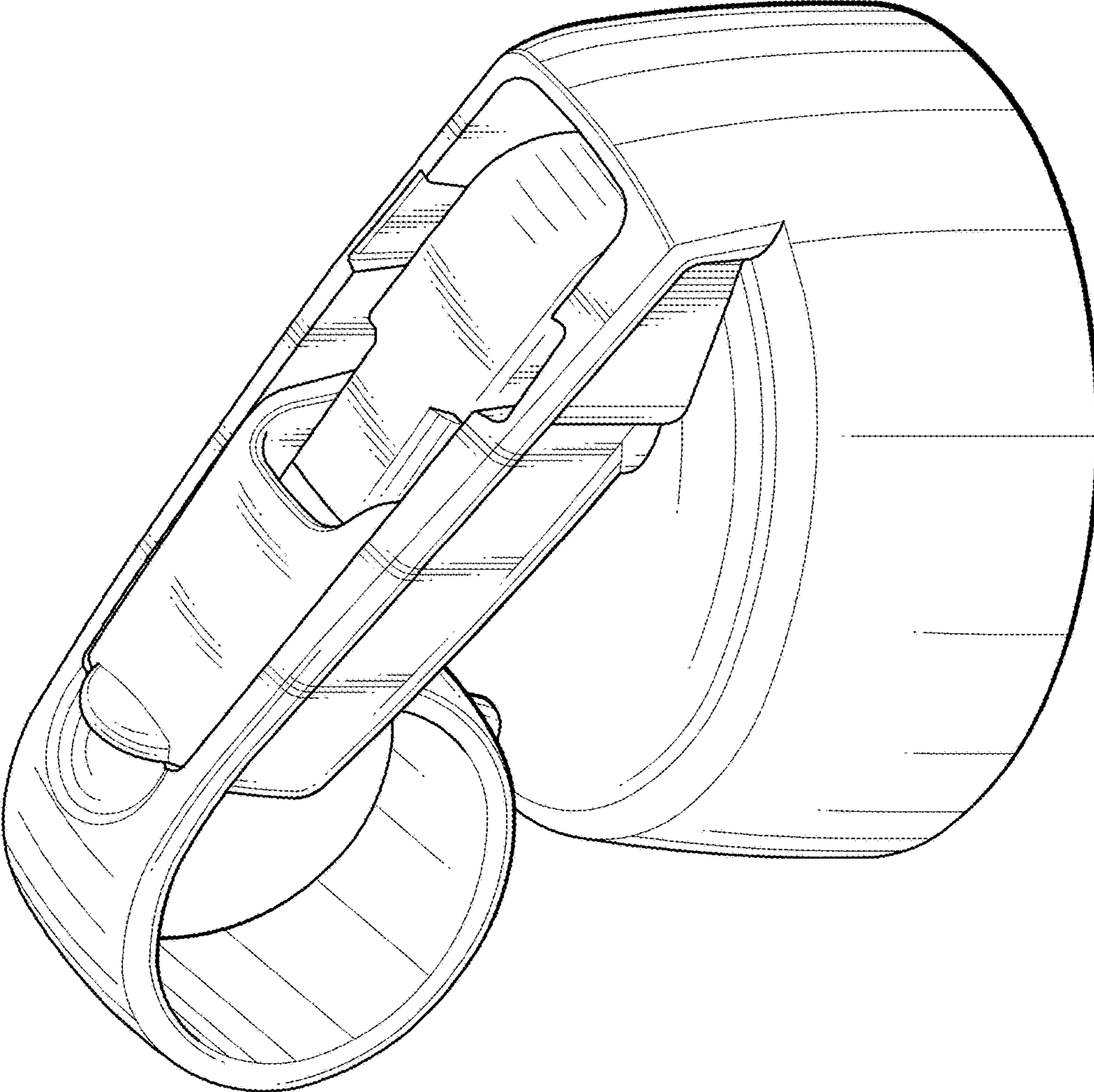


FIG. 1

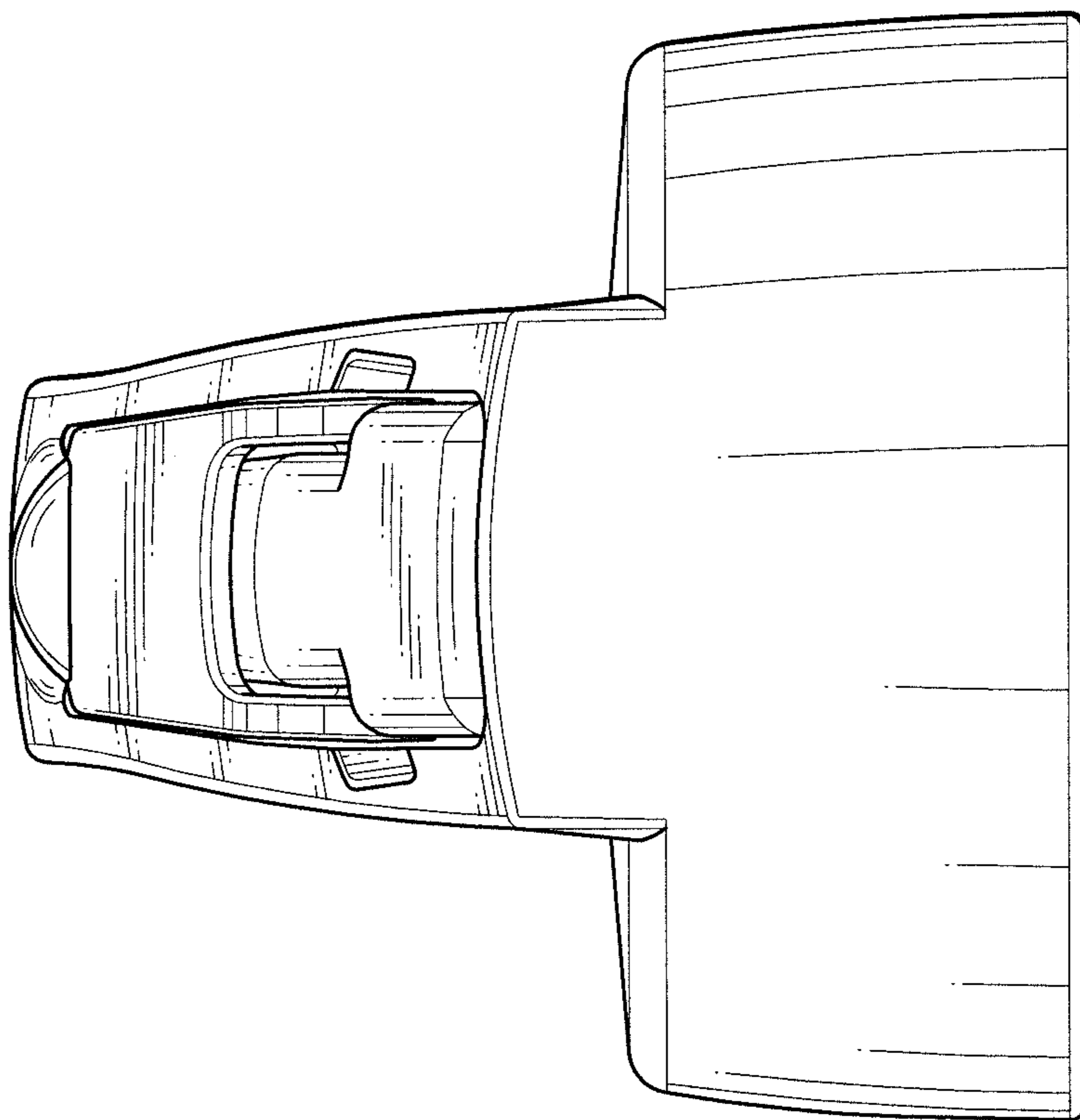


FIG. 2

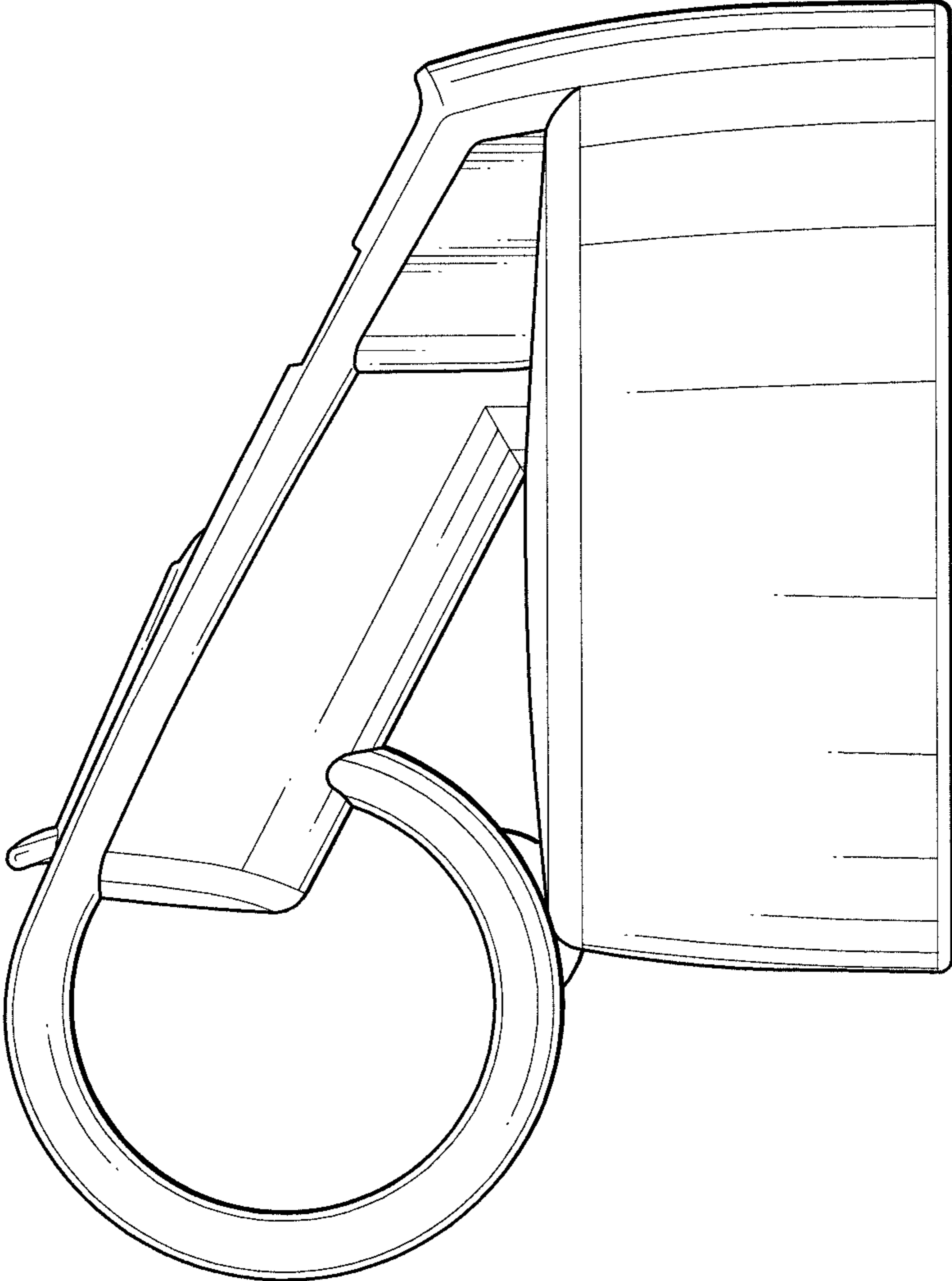


FIG. 3

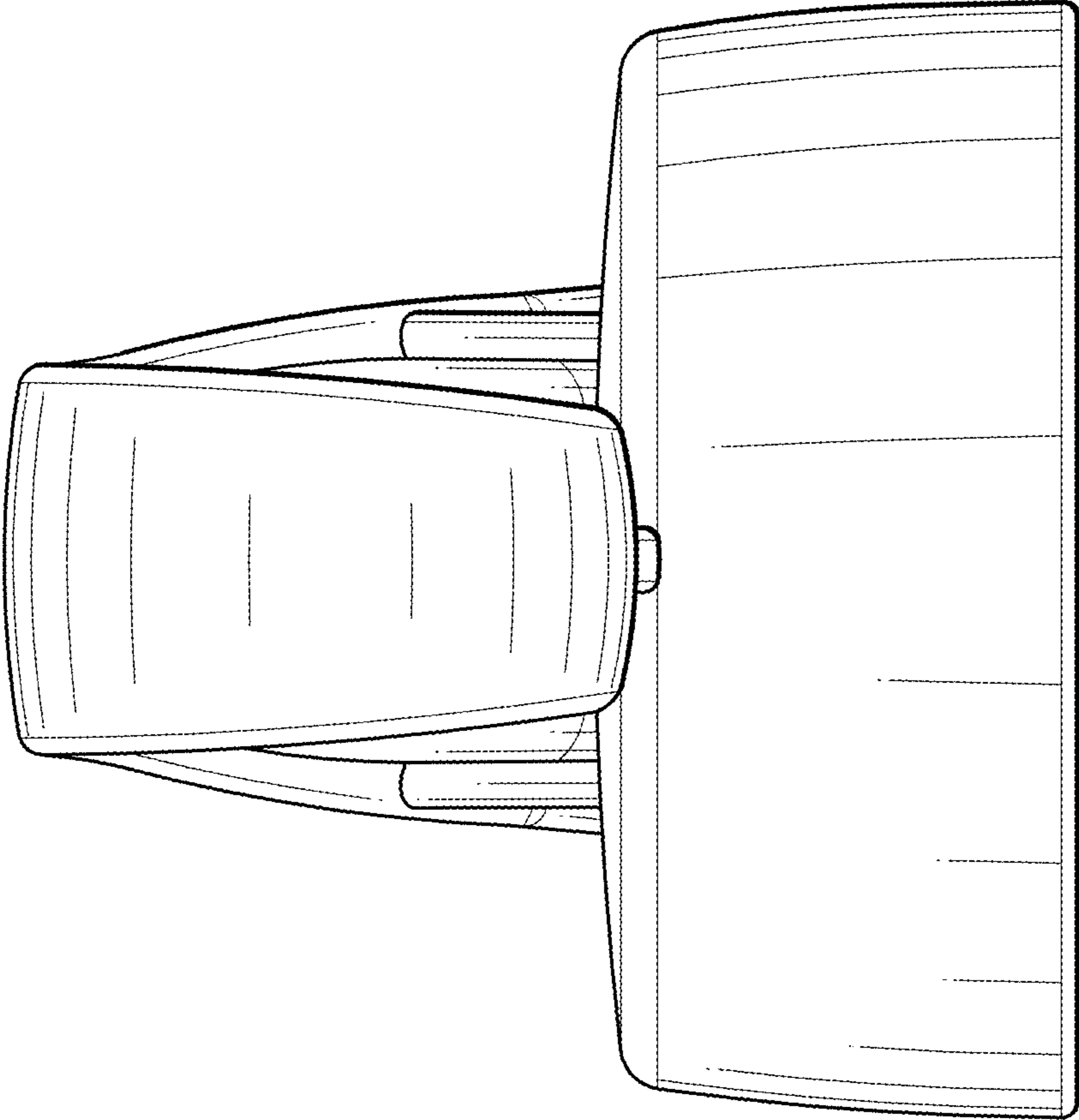


FIG. 4

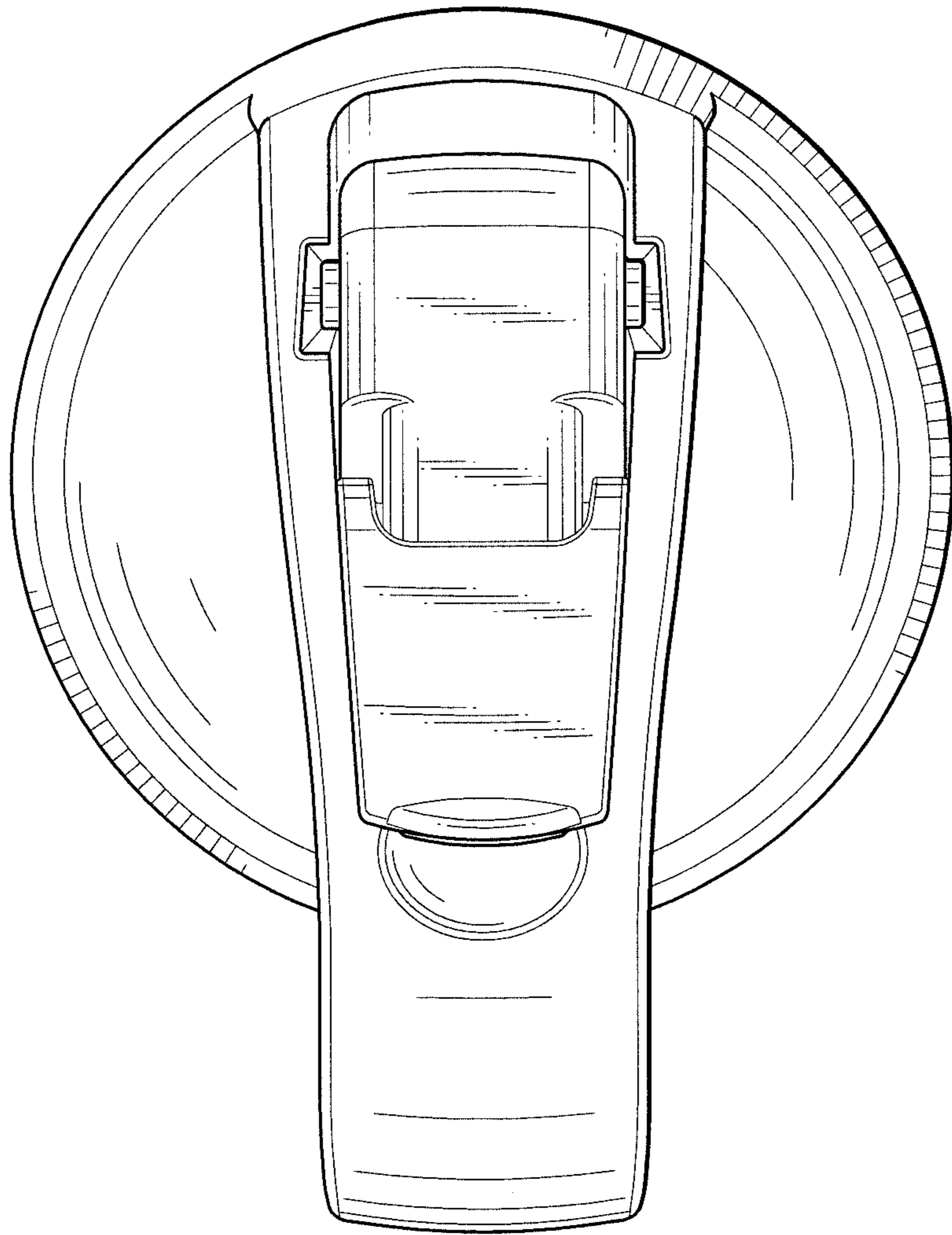


FIG. 5

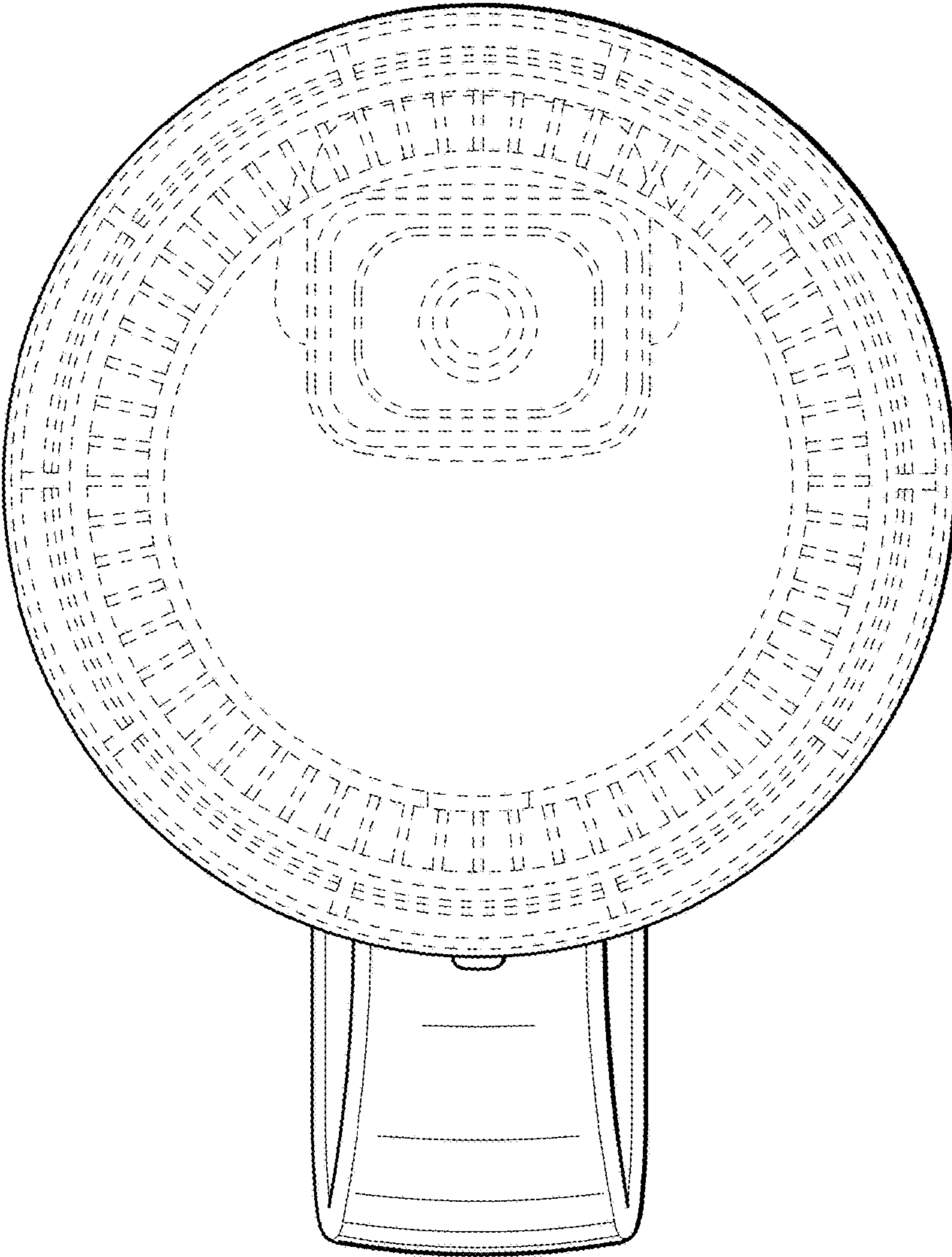


FIG. 6

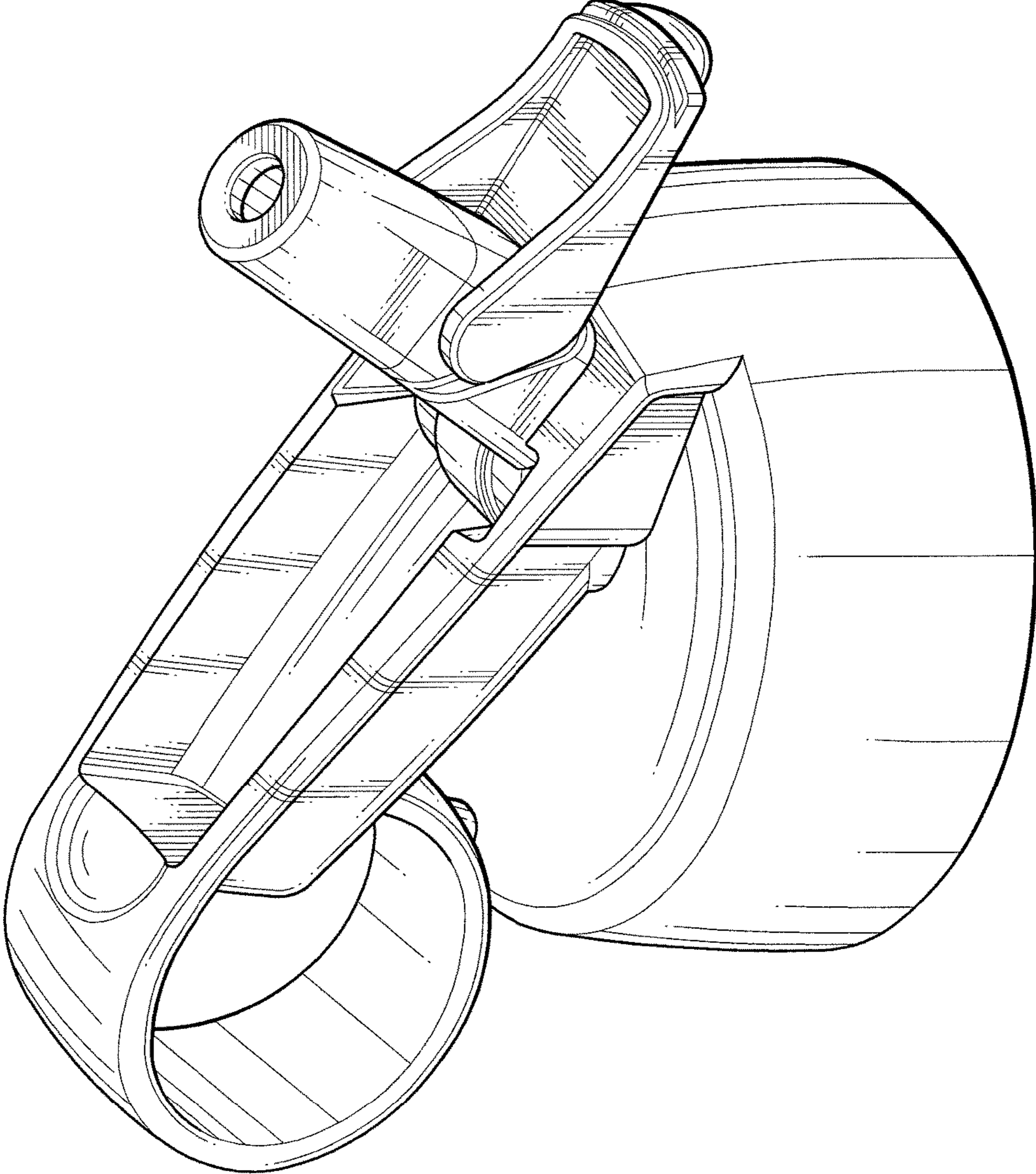


FIG. 7

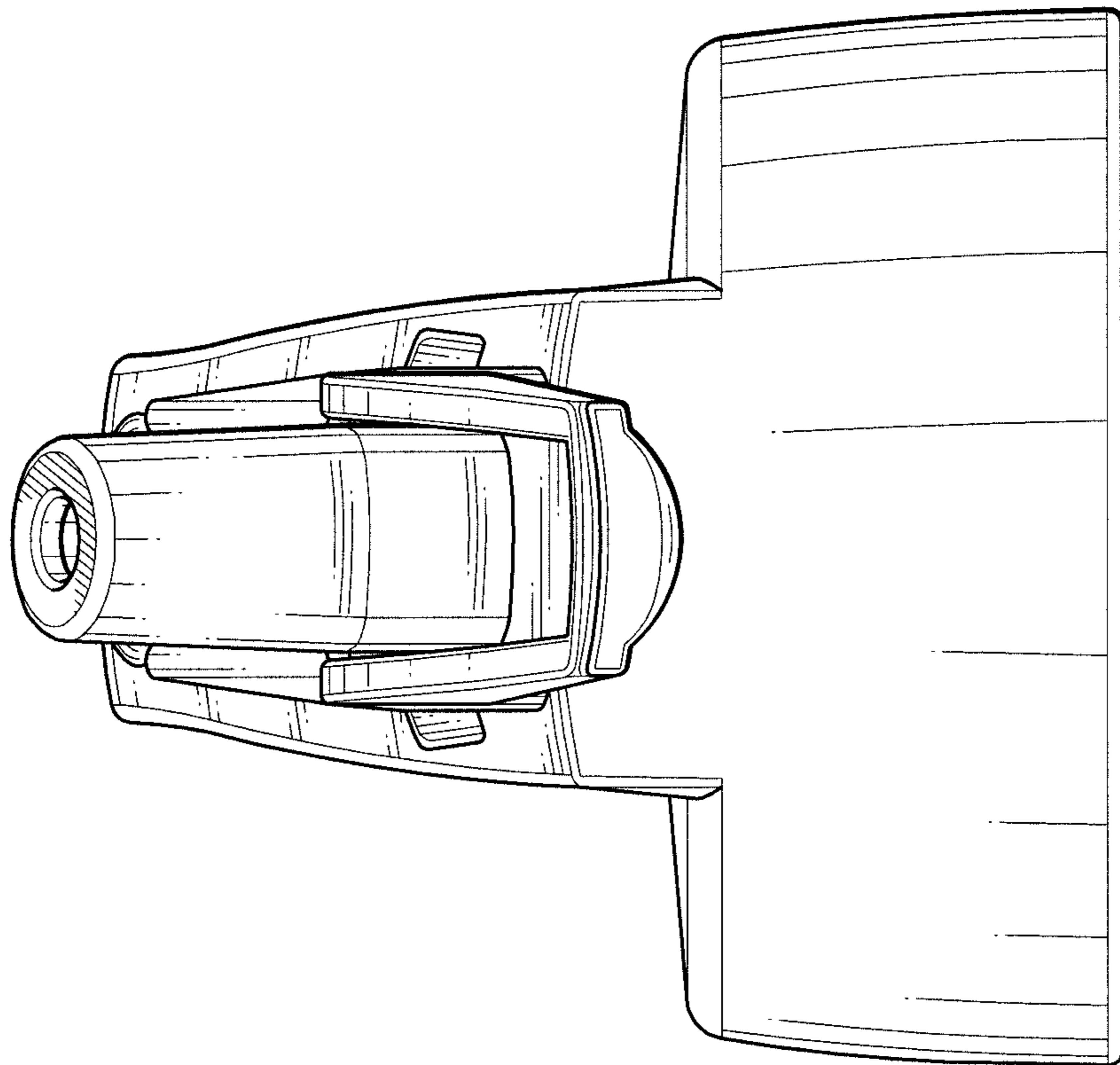


FIG. 8

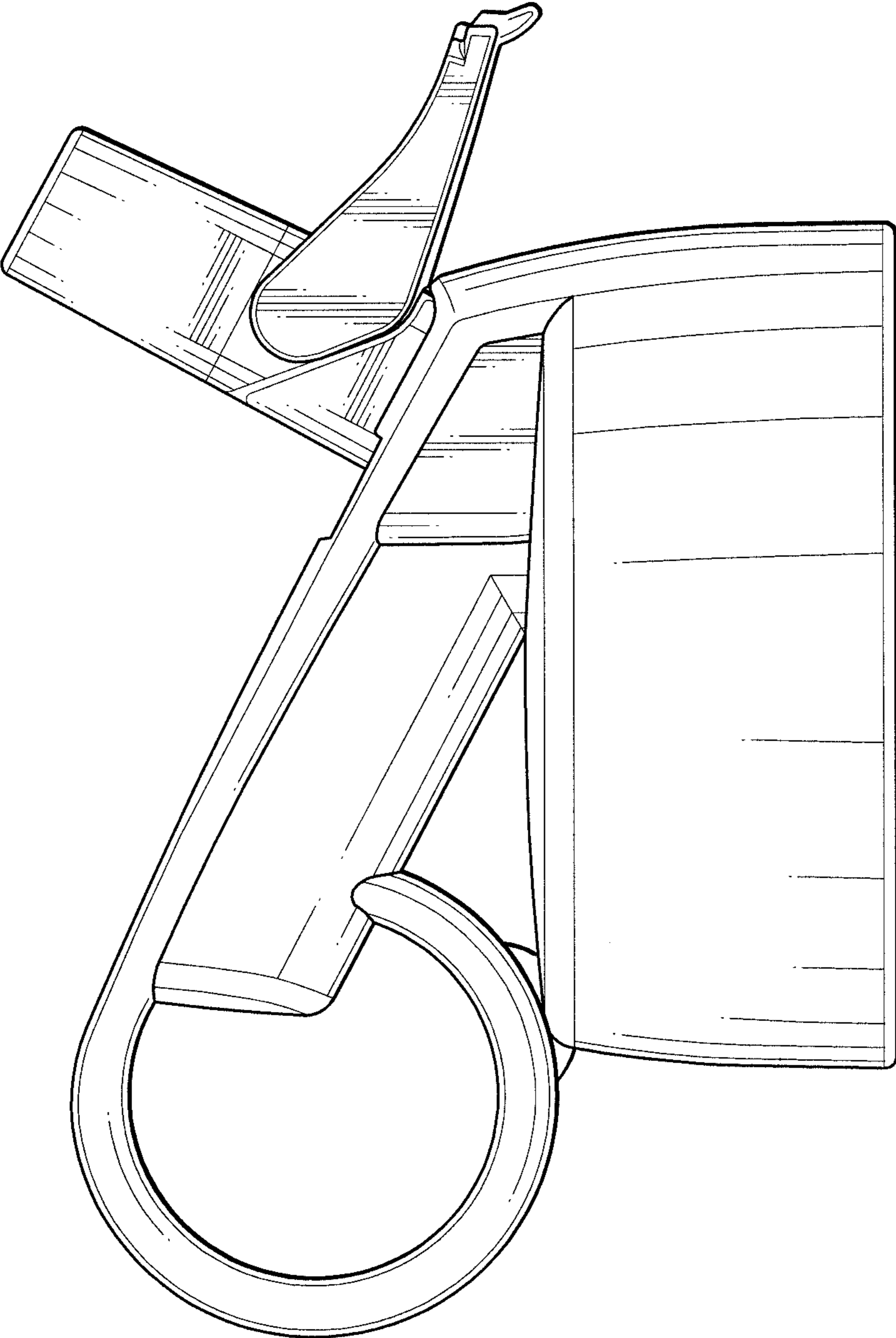


FIG. 9

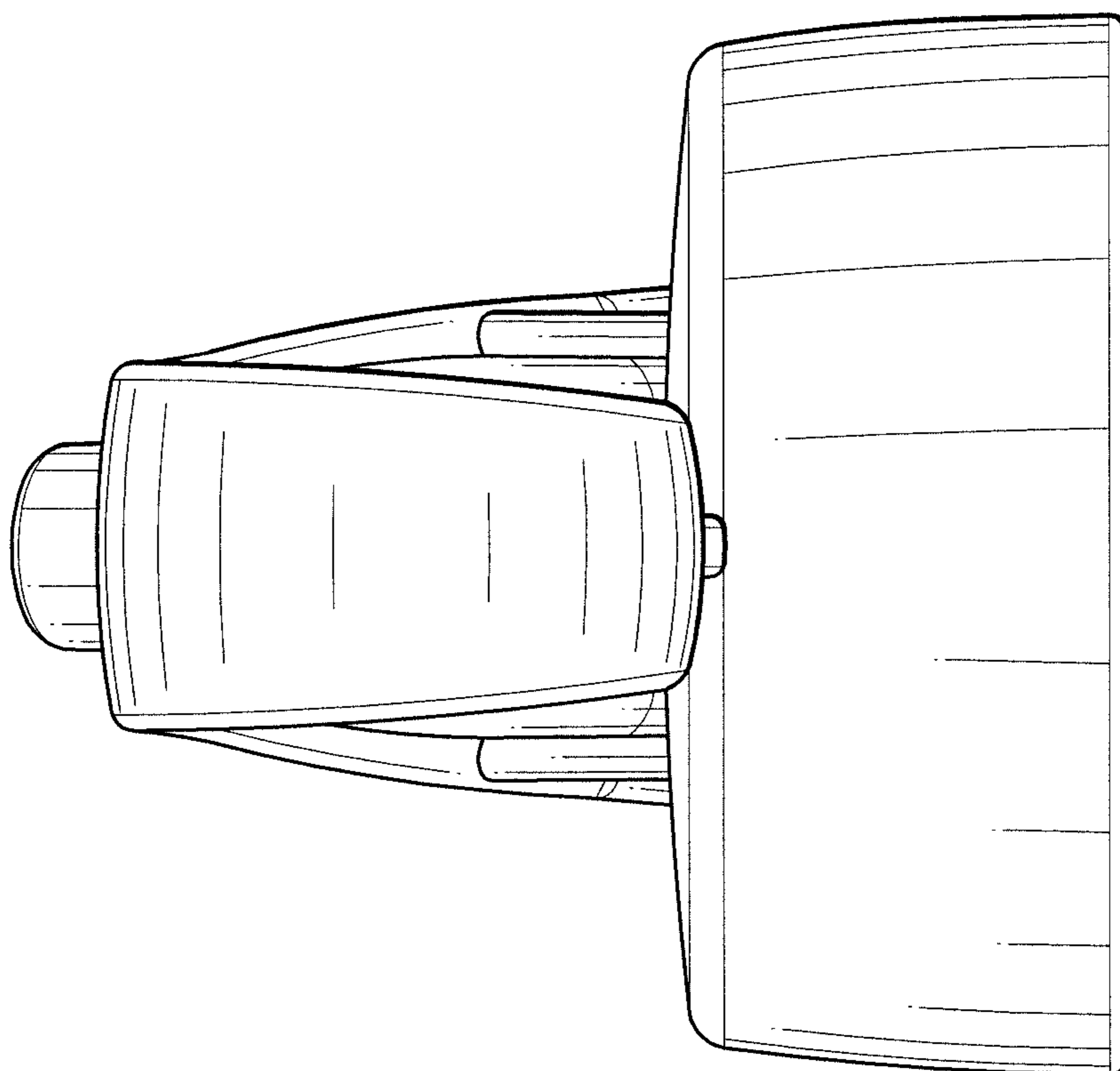


FIG. 10

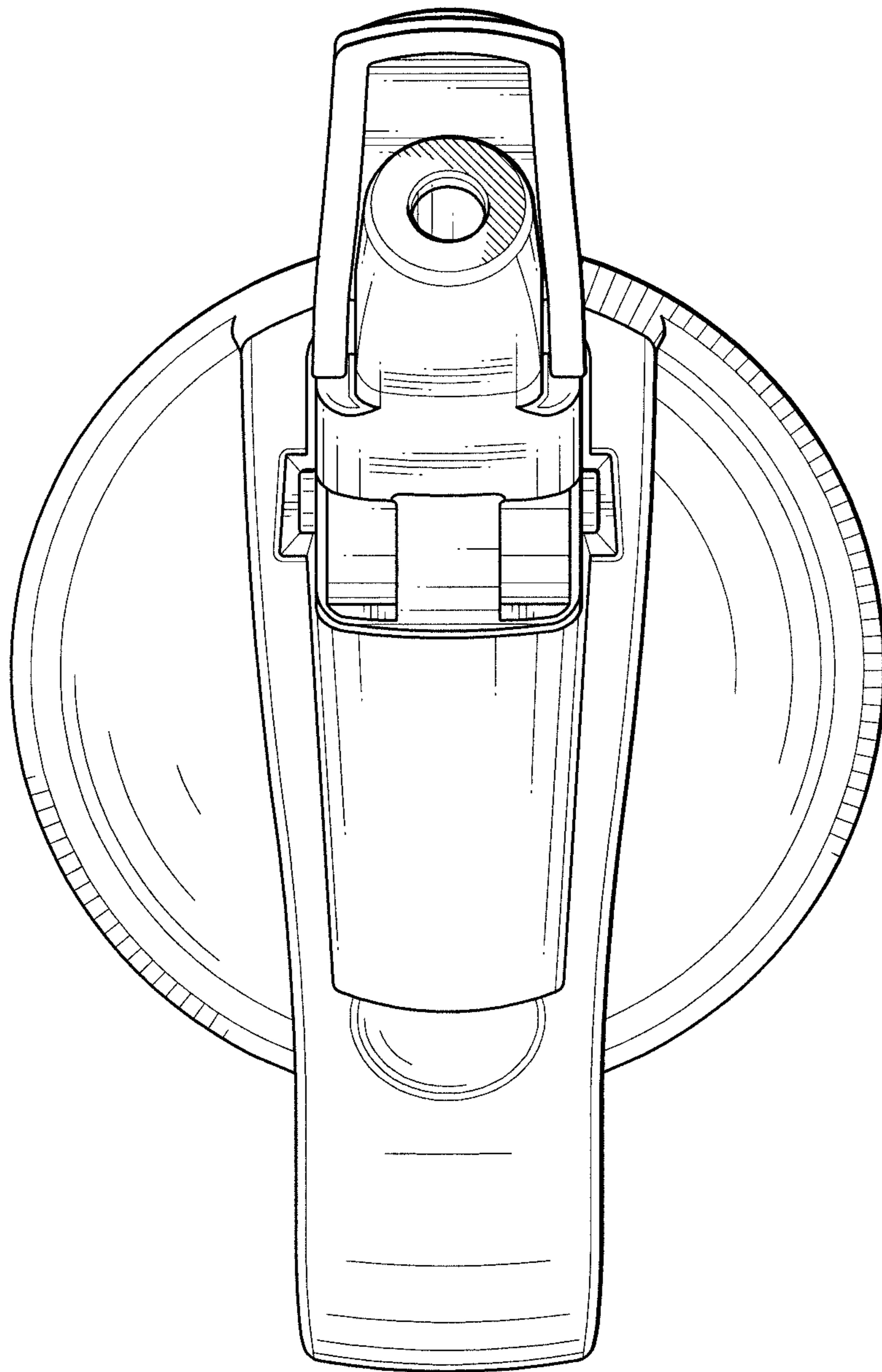


FIG. 11

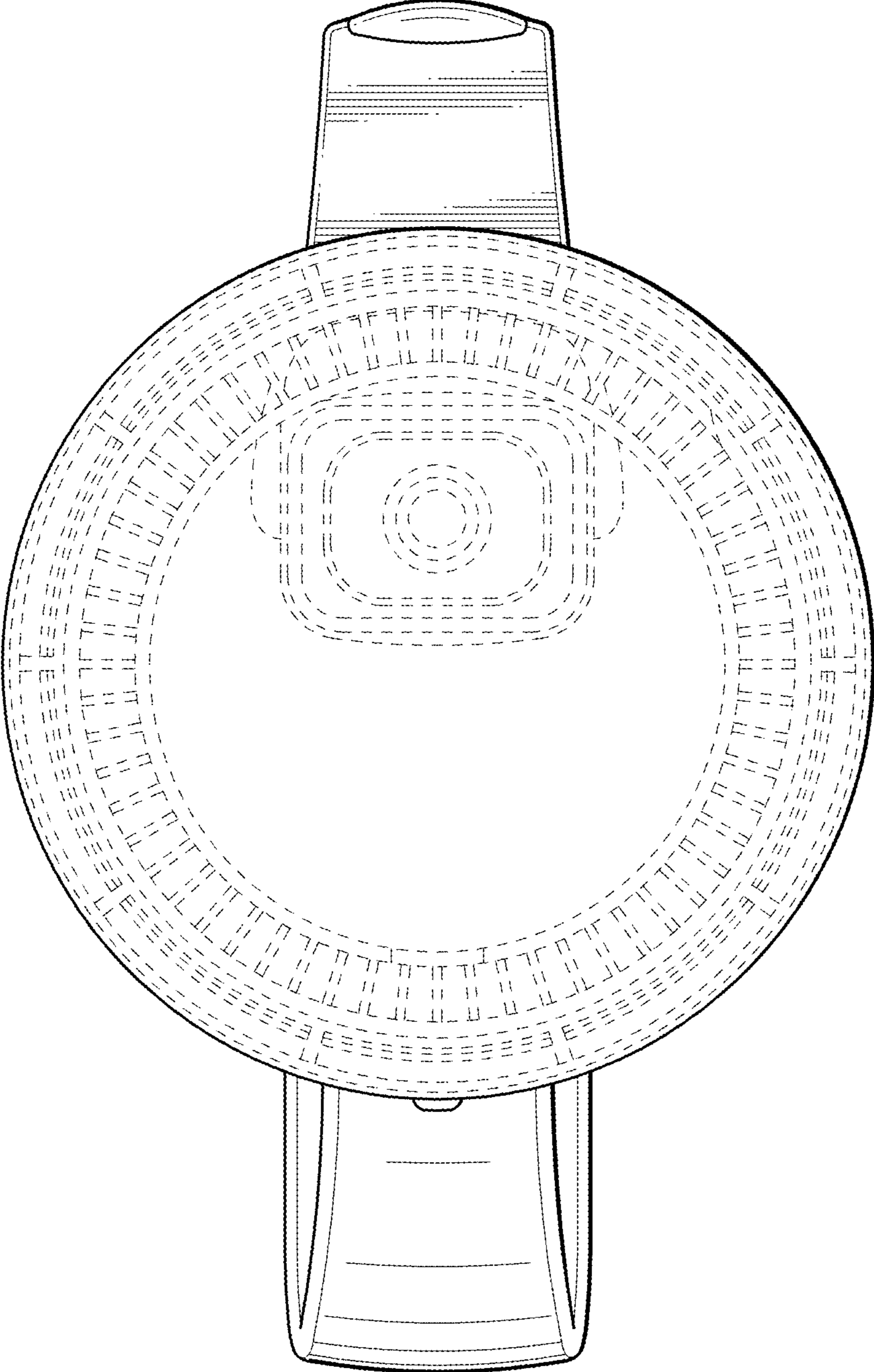


FIG. 12