



US00D810496S

(12) **United States Design Patent**
Stein

(10) **Patent No.:** **US D810,496 S**

(45) **Date of Patent:** **** Feb. 20, 2018**

(54) **BURNER AND COOKING POT**

(71) Applicant: **ESBIT Compagnie GmbH**, Hamburg
(DE)

(72) Inventor: **Roberto Stein**, Hamburg (DE)

(73) Assignee: **ESBIT Compagnie GmbH**, Hamburg
(DE)

(**) Term: **15 Years**

(21) Appl. No.: **29/579,333**

(22) Filed: **Sep. 29, 2016**

(30) **Foreign Application Priority Data**

Apr. 1, 2016 (EM) 003052299-0001

(51) **LOC (11) Cl.** **07-02**

(52) **U.S. Cl.**
USPC **D7/355**

(58) **Field of Classification Search**
USPC D7/317, 323, 354-363, 376, 378, 384,
D7/391, 393-396, 409
CPC A47G 19/12; A47J 27/00; A47J 27/002;
A47J 27/08; A47J 27/21; A47J 27/58;
A47J 36/025; A47J 36/06; A47J 36/12;
A47J 36/2466; A47J 37/00; A47J 37/10;
A47J 37/101; A47J 37/103; A47J 37/12;
A47J 37/1204; A47J 45/061; A47J
45/071; A47J 45/08; H05B 6/12
See application file for complete search history.

(56) **References Cited**

U.S. PATENT DOCUMENTS

D260,350 S * 8/1981 Kahlcke D7/378
D315,271 S * 3/1991 Rauch D7/300

D321,455 S * 11/1991 Duquaine, Jr. D7/326
6,314,867 B1 * 11/2001 Russell A47J 36/2466
219/432
D600,971 S * 9/2009 Garpelin D7/354
D611,758 S * 3/2010 Seymour D7/354
D619,847 S * 7/2010 Lin D7/354
D630,467 S * 1/2011 Harrod D7/372
D742,682 S * 11/2015 Hager D7/354
D767,327 S * 9/2016 McConnell D7/376

* cited by examiner

Primary Examiner — Ricky Pham

(74) *Attorney, Agent, or Firm* — Alix, Yale & Ristas,
LLP

(57) **CLAIM**

The ornamental design for the burner and cooking pot, as shown and described.

DESCRIPTION

FIG. 1 is a front view of a burner and cooking pot showing my new design, no claim is made to the appearance of the interior surfaces of the burner, or the appearance of any structures within the burner, which appears below the cooking pot;

FIG. 2 is a rear view thereof, no claim is made to the appearance of the interior surfaces of the burner, which appears below the cooking pot;

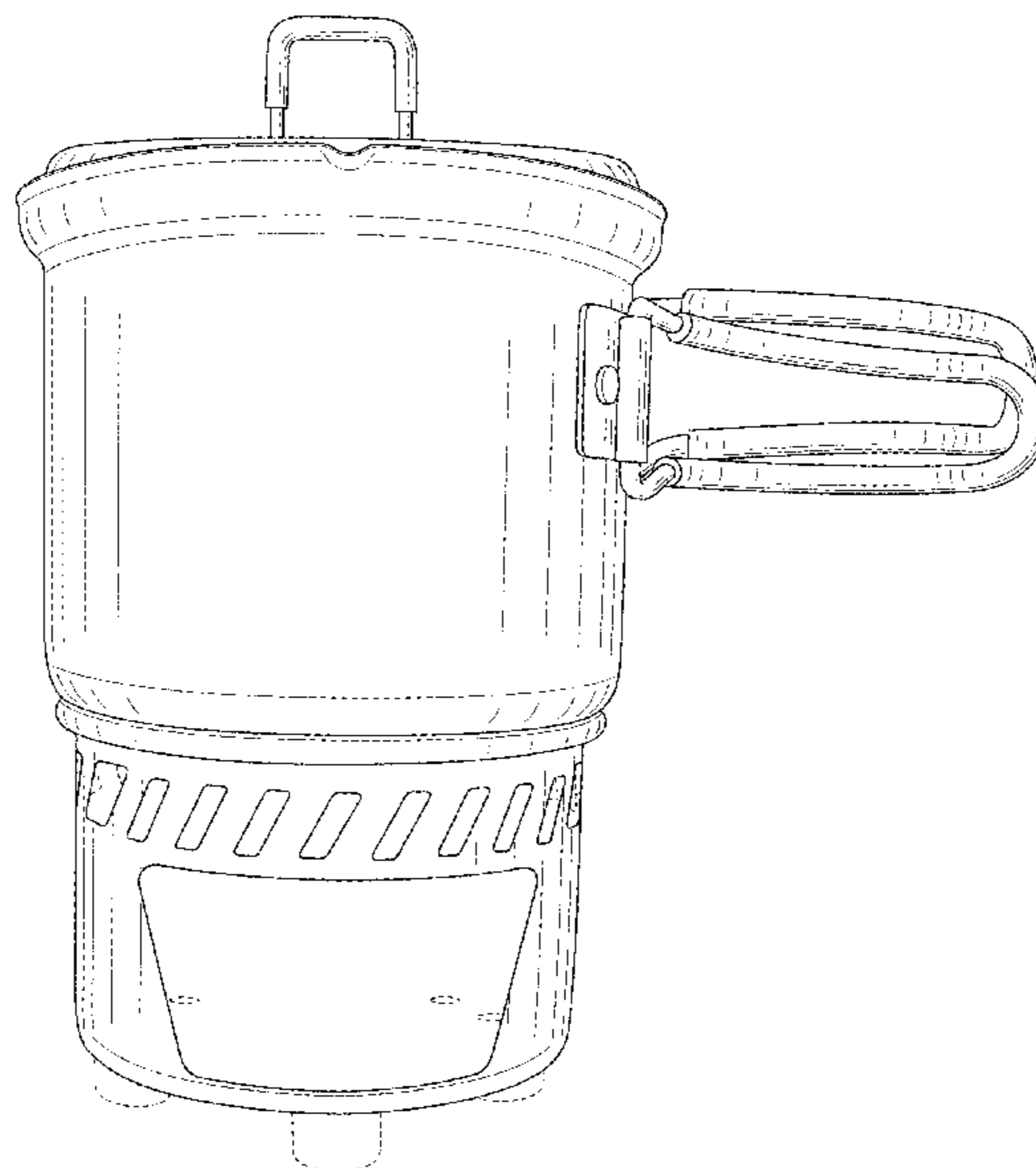
FIG. 3 is a right side view thereof no claim is made to the appearance of the interior surfaces of the burner, which appears below the cooking pot;

FIG. 4 is a left side view thereof, no claim is made to the appearance of the interior surfaces of the burner, which appears below the cooking pot; and,

FIG. 5 is a top view thereof.

No claim is made to the bottom view or to the portions shown in broken lines.

1 Claim, 5 Drawing Sheets



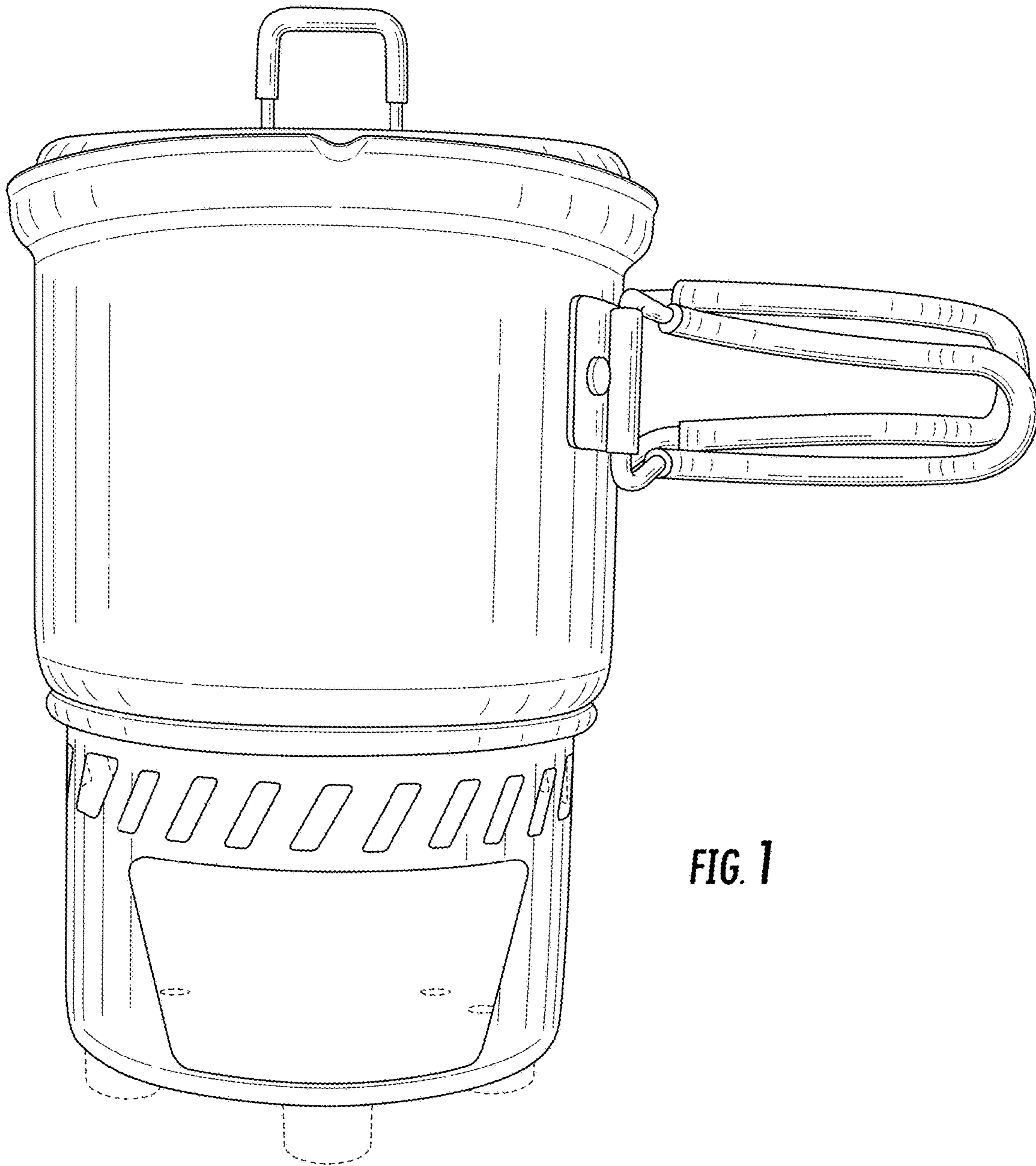


FIG. 1

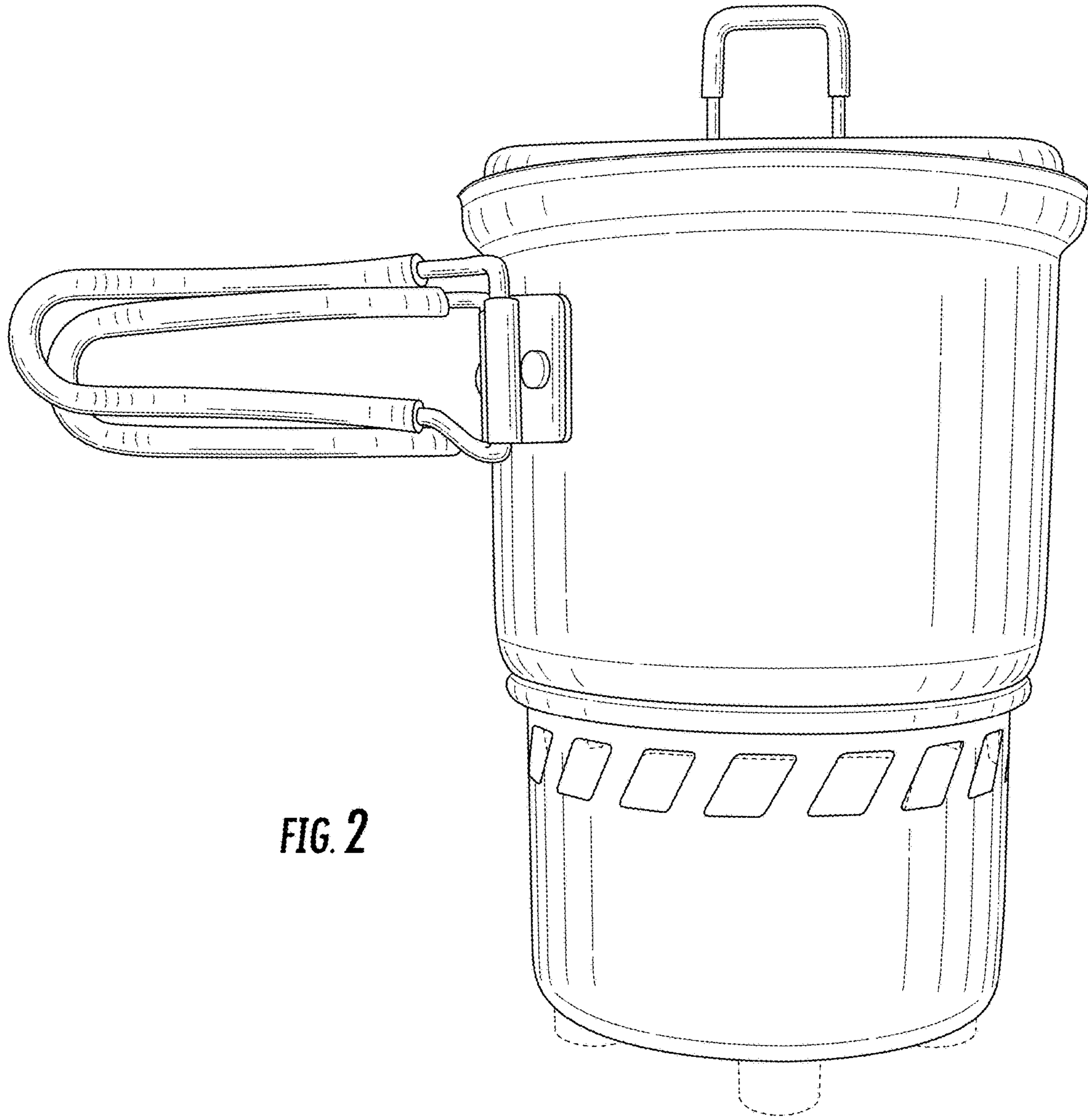


FIG. 2

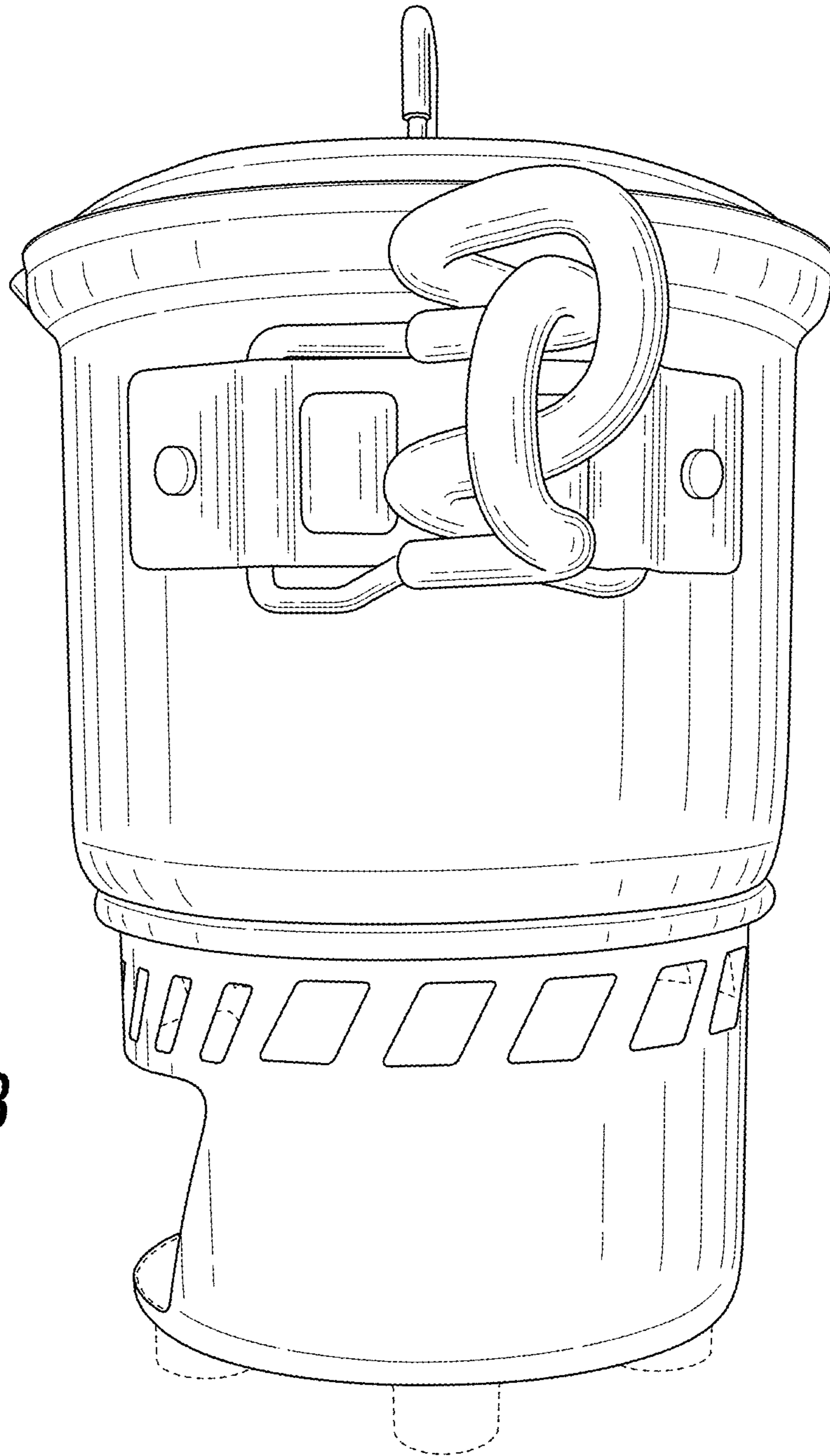


FIG. 3

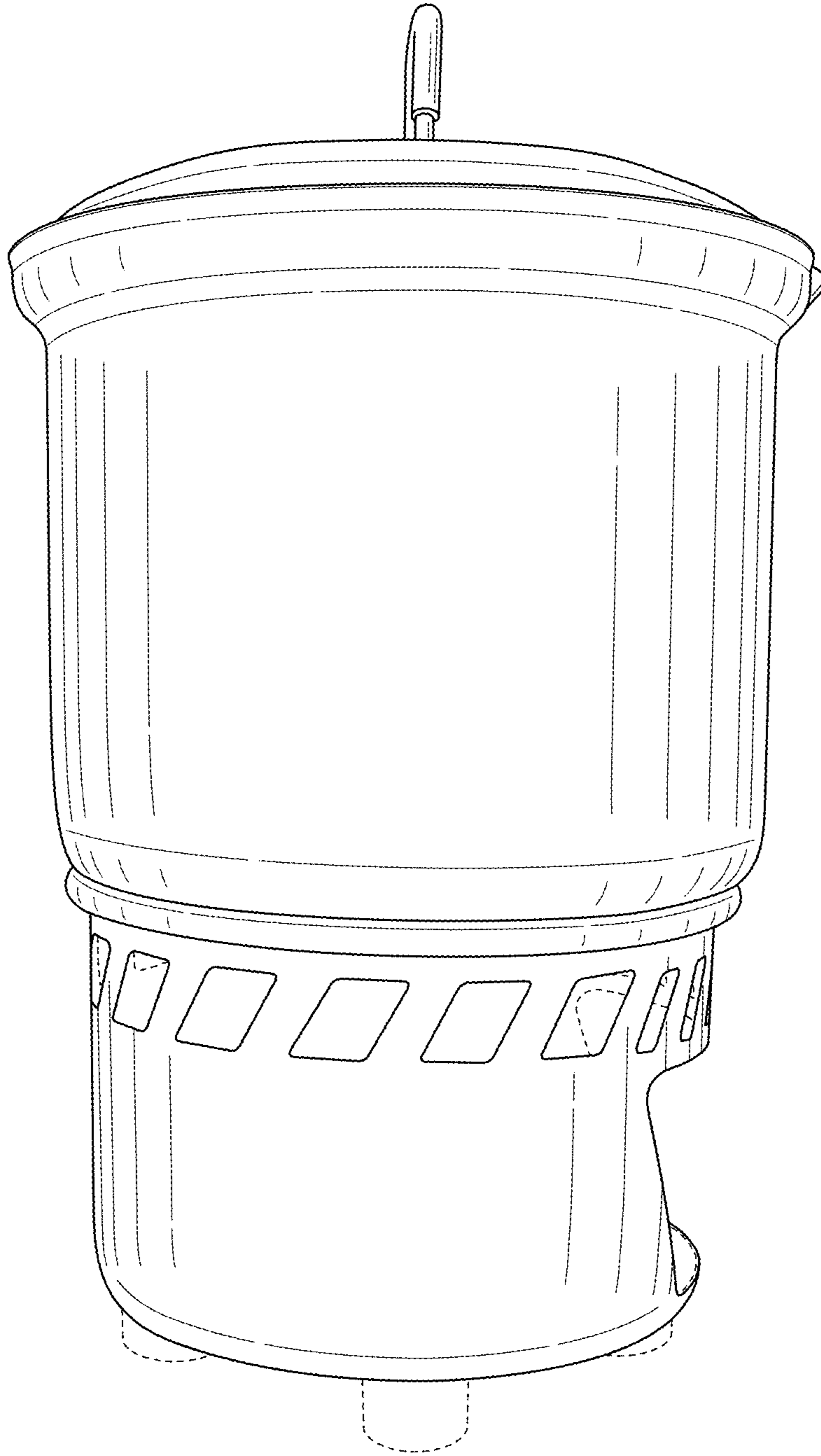


FIG. 4

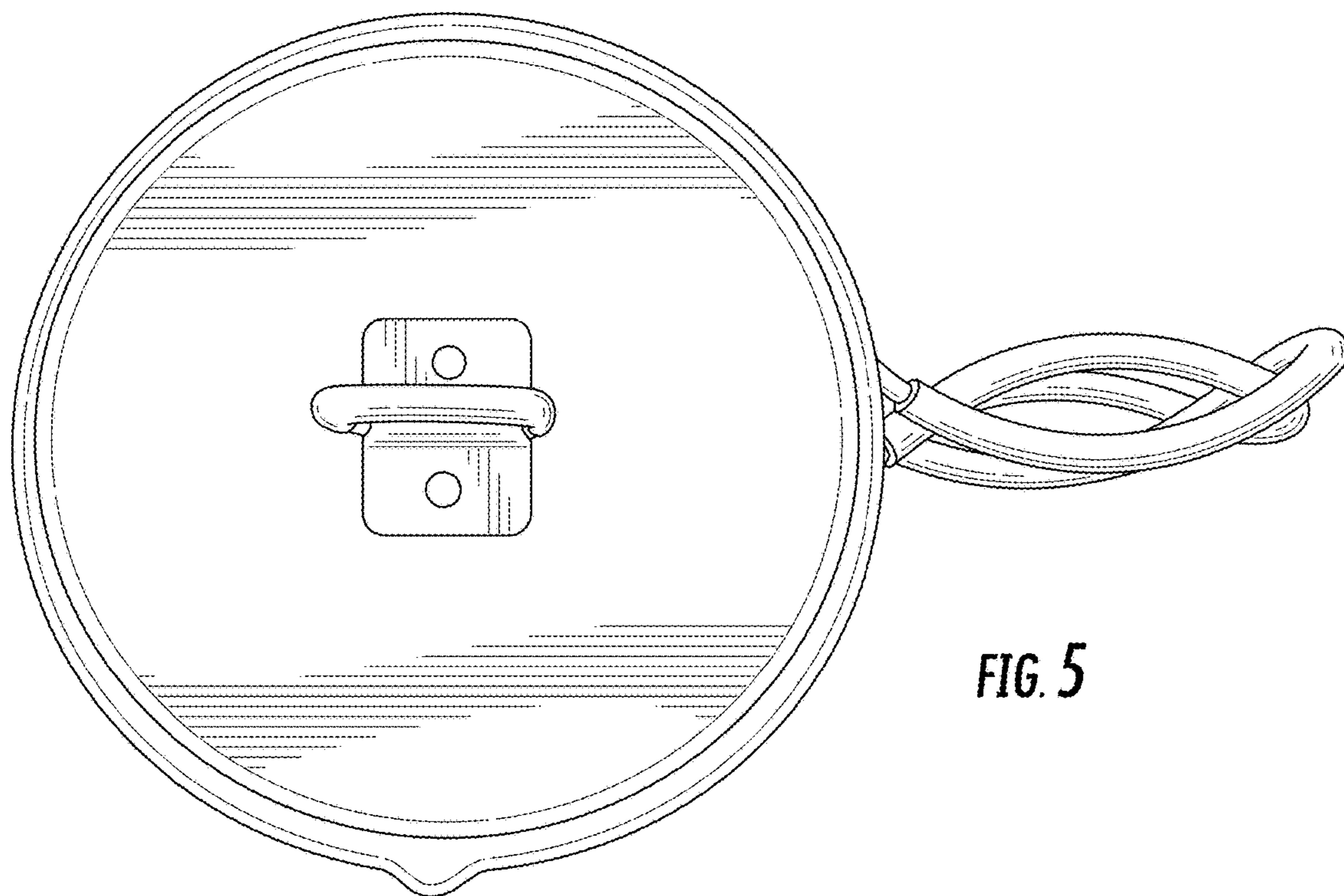


FIG. 5