



US00D810495S

(12) **United States Design Patent**  
**Yau**

(10) **Patent No.:** **US D810,495 S**  
(45) **Date of Patent:** **\*\* Feb. 20, 2018**

- (54) **COOKING PAN**
- (71) Applicant: **SUPER WIN ENTERPRISES CORP.**,  
Ridgewood, NY (US)
- (72) Inventor: **Wai Kwong Yau**, Freehold, NJ (US)
- (73) Assignee: **SUPER WIN ENTERPRISES CORP.**,  
Ridgewood, NY (US)
- (\*\*) Term: **15 Years**
- (21) Appl. No.: **29/572,872**
- (22) Filed: **Aug. 1, 2016**
- (51) **LOC (11) Cl.** ..... **07-02**
- (52) **U.S. Cl.**  
USPC ..... **D7/354**
- (58) **Field of Classification Search**  
USPC ..... D7/323, 354-361, 505, 543, 545, 549,  
D7/550.1, 553.1-553.8, 554.1-554.4, 555,  
D7/557, 584, 586, 688; D9/430-433,  
D9/455-456, 737, 756-762  
CPC .. A21B 3/00; A21B 3/003; A21B 3/13; A21B  
3/15; A21B 3/134; A21B 5/00; A21B  
5/02; A47G 19/02; A47G 19/065; A47G  
19/2283; A47G 23/06; A47J 36/022; A47J  
36/025; A47J 36/027; A47J 37/00; A47J  
37/04; A47J 37/0623; A47J 43/28; A47J  
43/284; B65D 1/22; B65D 1/24; B65D  
1/34; B65D 1/36; B65D 81/343; B65D  
85/36; H05B 6/6408  
See application file for complete search history.

- 2,352,684 A \* 7/1944 Braddock ..... A47G 23/06  
206/515
- 2,474,995 A \* 7/1949 Wade ..... A47G 19/02  
220/23.8
- D225,364 S \* 12/1972 Antoni ..... D7/553.6
- D285,638 S \* 9/1986 Trivison ..... D7/557
- D312,026 S \* 11/1990 Antoni ..... D7/553.6
- D322,914 S \* 1/1992 Unger ..... D7/505
- 5,223,685 A \* 6/1993 Derienzo, Jr. .... H05B 6/6408  
219/732
- D352,204 S \* 11/1994 Hayes ..... D7/546
- 5,593,062 A \* 1/1997 Martin ..... A47G 19/065  
220/556
- 5,970,858 A \* 10/1999 Boehm ..... A47J 37/0623  
99/400
- D486,991 S \* 2/2004 Lee ..... D7/357

\* cited by examiner

*Primary Examiner* — Ricky Pham

(74) *Attorney, Agent, or Firm* — Andrew F. Young, Esq.;  
Lackebach Siegel, LLP

(57) **CLAIM**

The ornamental design for a cooking pan, as shown and described.

**DESCRIPTION**

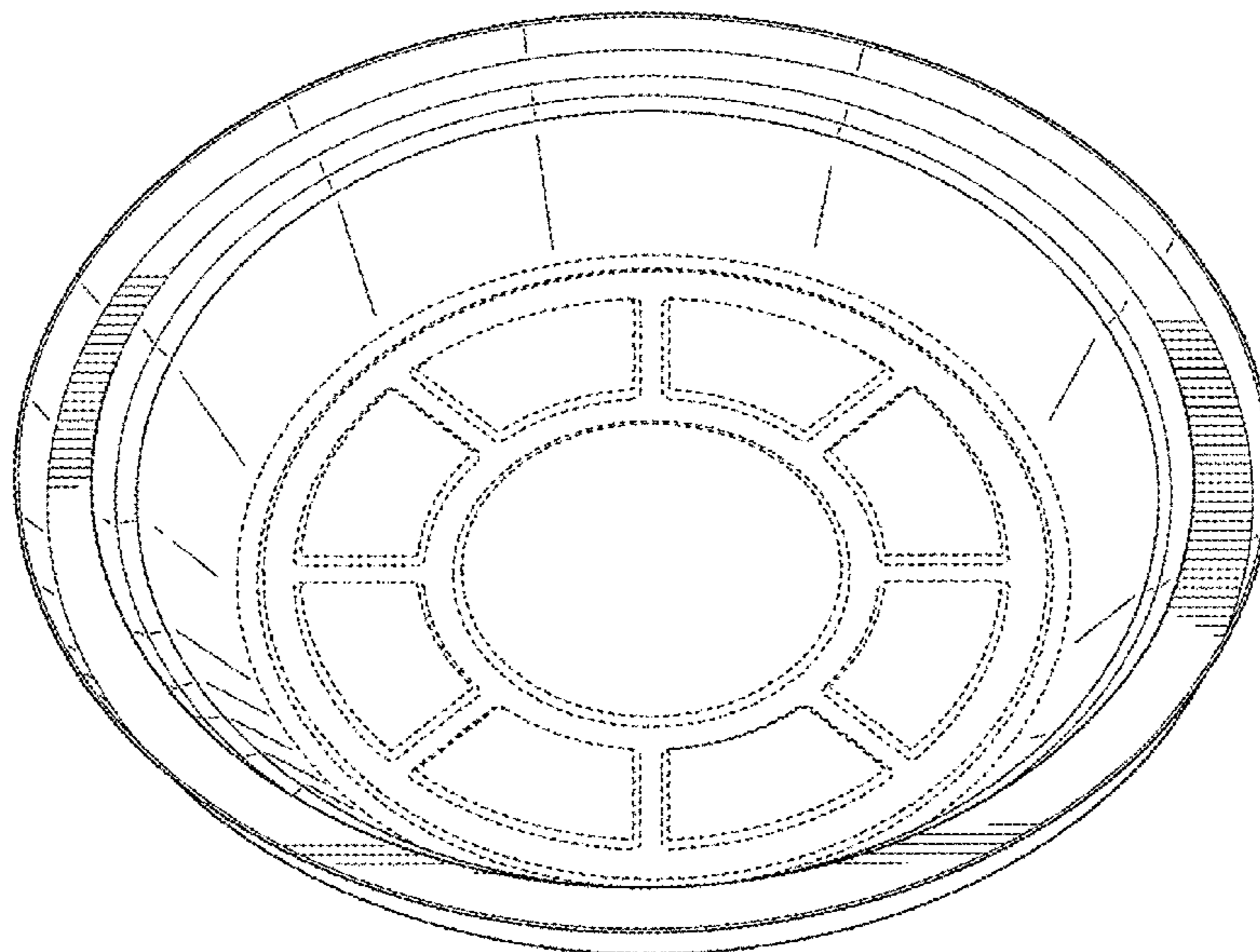
FIG. 1 is a perspective view of a cooking pan showing my new design;  
FIG. 2 is a front elevation view thereof; the rear, left and right side views are identical to the front;  
FIG. 3 is a top plan view thereof; and,  
FIG. 4 is a bottom plan view thereof.  
The broken lines shown in the drawings are for illustrative purposes only and form no part of the claimed design.

**1 Claim, 4 Drawing Sheets**

(56) **References Cited**

U.S. PATENT DOCUMENTS

- 1,614,338 A \* 1/1927 Awoki ..... A47G 19/2283  
220/23.83
- 2,096,825 A \* 10/1937 Roman ..... A47G 19/02  
126/246



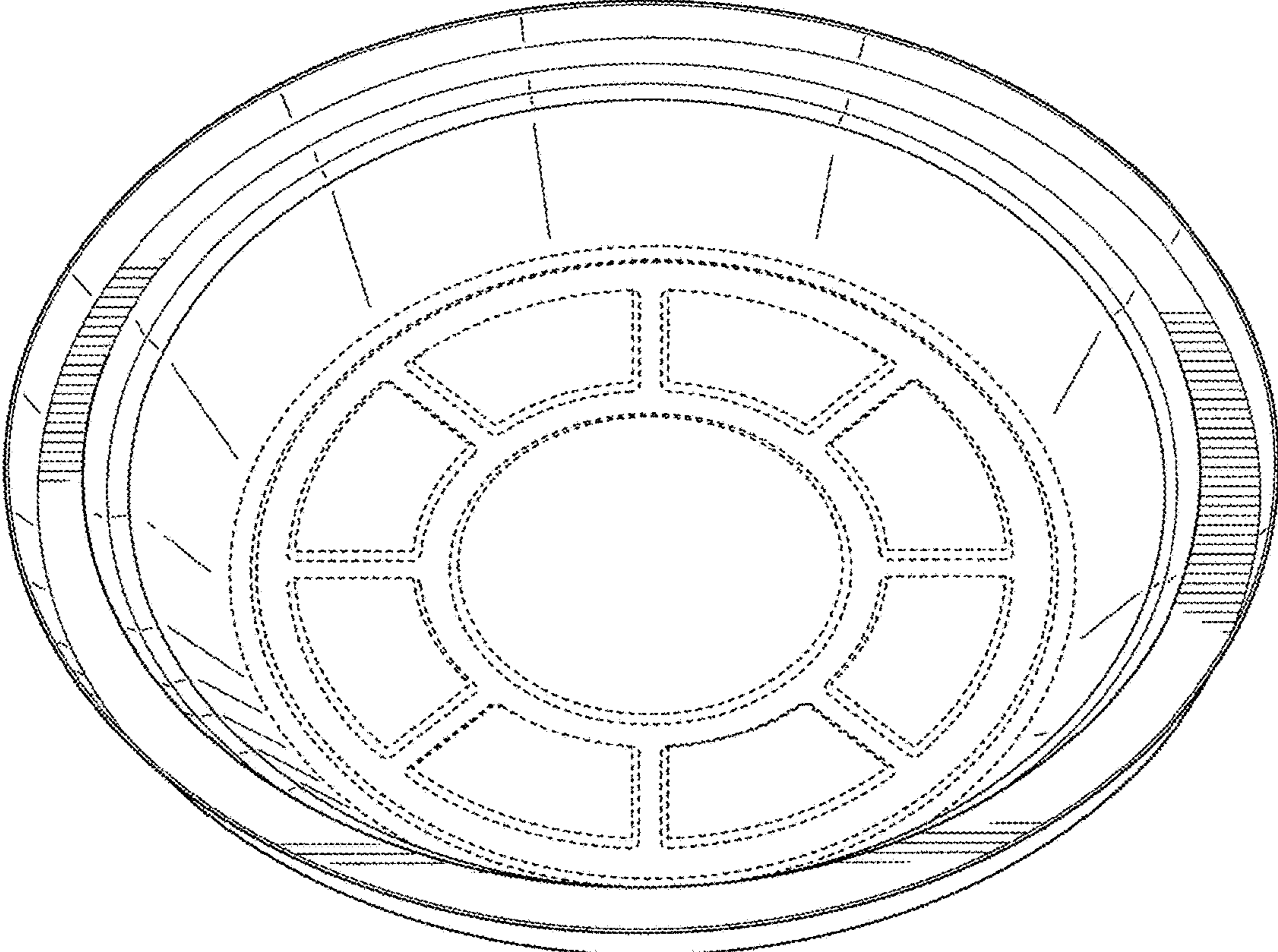


FIG. 1

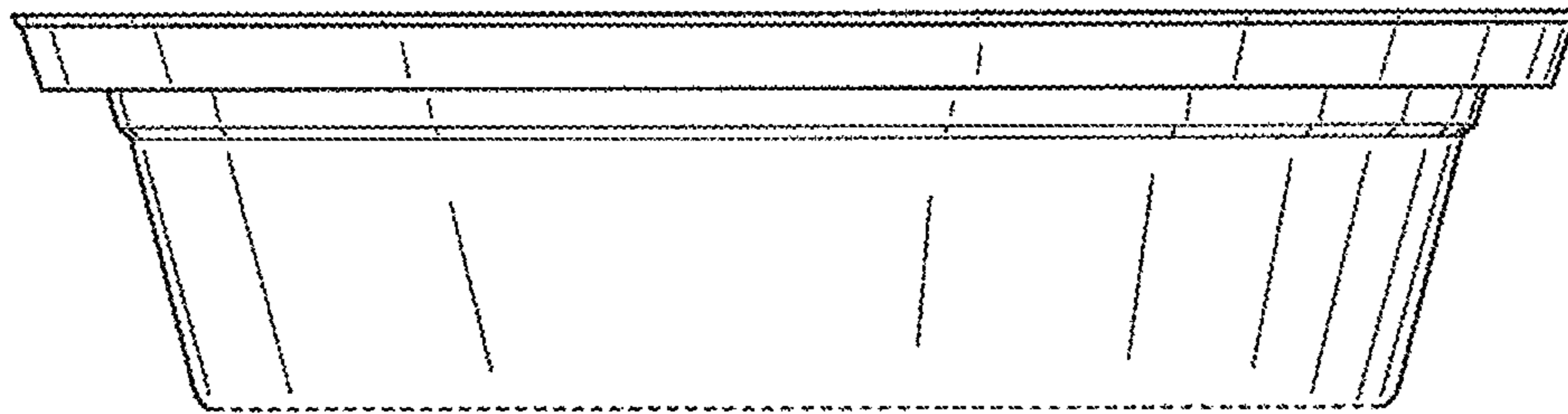


FIG. 2

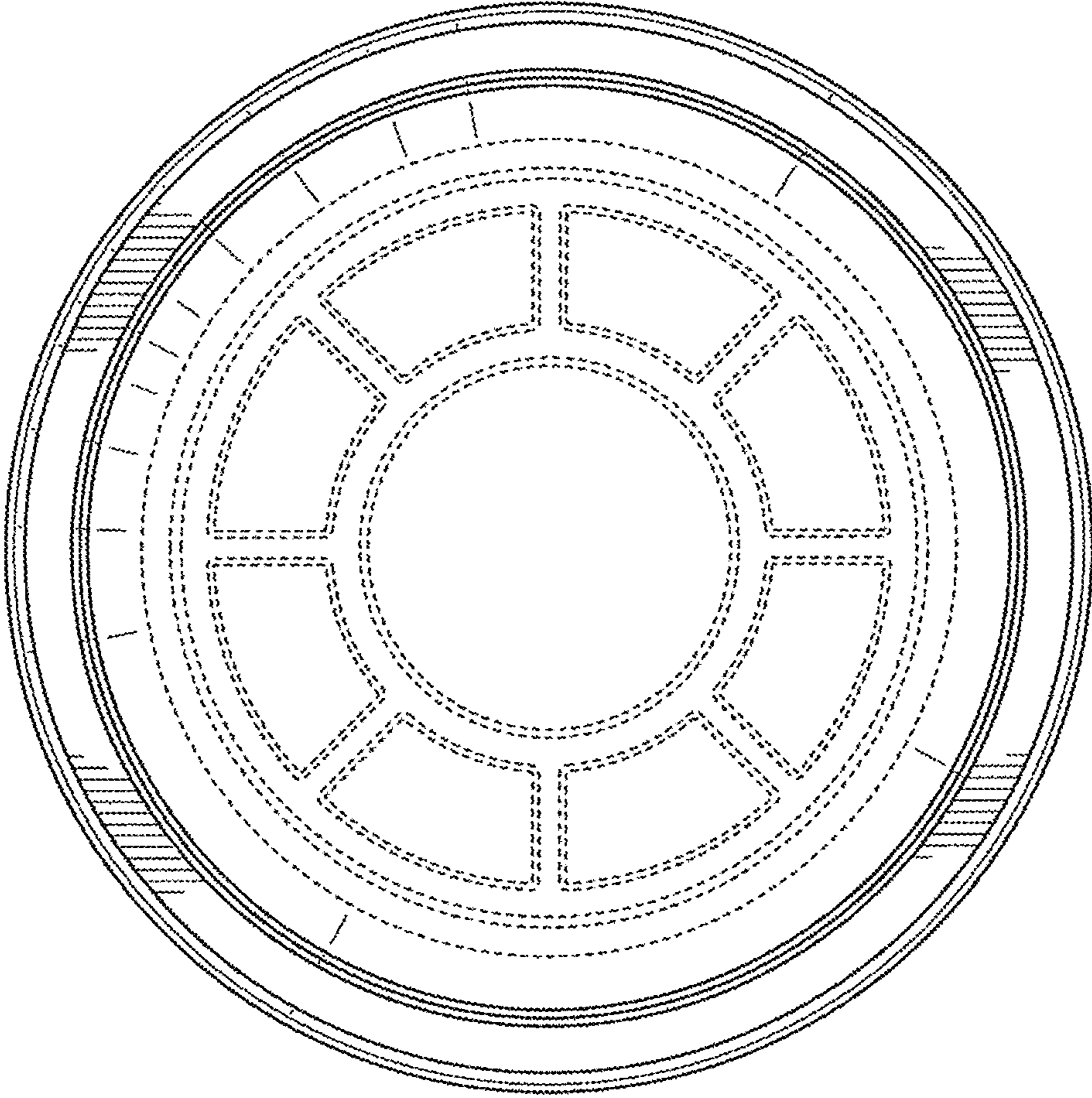


FIG. 3

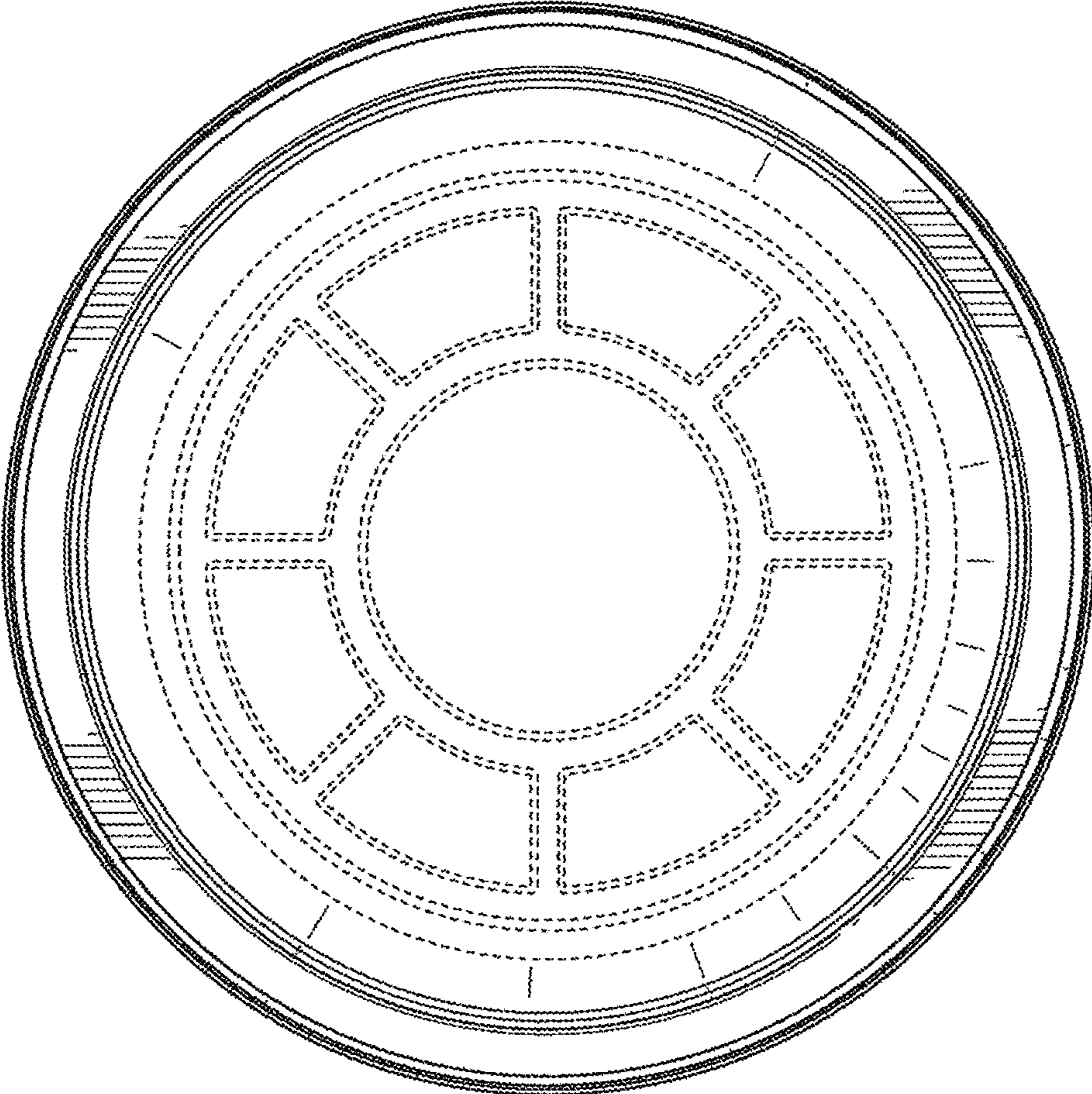


FIG. 4