



US00D810492S

(12) **United States Design Patent** (10) **Patent No.:** **US D810,492 S**  
**Carpenter et al.** (45) **Date of Patent:** **\*\* Feb. 20, 2018**

(54) **TOASTER**  
(71) Applicant: **WHIRLPOOL CORPORATION**,  
Benton Harbor, MI (US)  
(72) Inventors: **Christopher L. Carpenter**, Pearisburg,  
VA (US); **John W. McConnell**, St.  
Joseph, MI (US); **Joel Graham Van**  
**Faasen**, Holland, MI (US)  
(73) Assignee: **Whirlpool Corporation**, Benton  
Harbor, MI (US)

D473,093 S 4/2003 To  
D474,639 S \* 5/2003 To ..... D7/330  
D490,267 S 5/2004 Berthier  
D492,536 S \* 7/2004 Wong ..... D7/330  
D506,348 S \* 6/2005 Josancy ..... D7/330  
D509,702 S \* 9/2005 Picozza ..... D7/330  
D520,801 S \* 5/2006 Cuffaro ..... D7/330  
D522,305 S \* 6/2006 Morgan ..... D7/330  
D523,683 S \* 6/2006 Guyett ..... D7/330  
D525,473 S \* 7/2006 Brown ..... D7/330  
D525,817 S \* 8/2006 Brown ..... D7/330

(Continued)

(\*\*) Term: **15 Years**

(21) Appl. No.: **29/560,852**

(22) Filed: **Apr. 11, 2016**

(51) **LOC (11) Cl.** ..... **07-02**

(52) **U.S. Cl.**  
USPC ..... **D7/330; D7/328**

(58) **Field of Classification Search**  
USPC ..... D7/323, 328-330, 332-337, 347, 390,  
D7/402-408  
CPC ... A21B 2/00; A47J 37/00; A47J 37/06; A47J  
37/0611; A47J 37/08; A47J 37/0807;  
A47J 37/0814; A47J 37/0835; A47J  
37/0842; A47J 37/085; A47J 37/0864;  
A47J 37/0878; A47J 37/0885  
See application file for complete search history.

(56) **References Cited**

**U.S. PATENT DOCUMENTS**

D338,368 S \* 8/1993 Naft ..... D7/328  
5,802,957 A 9/1998 Wanat et al.  
6,006,656 A 12/1999 Lulofs et al.  
D425,358 S \* 5/2000 Hughes ..... D7/330  
D428,759 S \* 8/2000 Hughes ..... D7/330  
D460,655 S \* 7/2002 Piret ..... D7/330  
D470,355 S \* 2/2003 Xie ..... D7/330  
D470,710 S \* 2/2003 Littmann ..... D7/330  
D472,421 S \* 4/2003 To ..... D7/330

**FOREIGN PATENT DOCUMENTS**

EP 786222 A1 6/2000  
WO 2013155574 A1 10/2013  
WO 2015097590 A1 7/2015

*Primary Examiner* — Caron D Veynar

*Assistant Examiner* — Mehri Bajoul

(74) *Attorney, Agent, or Firm* — Price Heneveld LLP

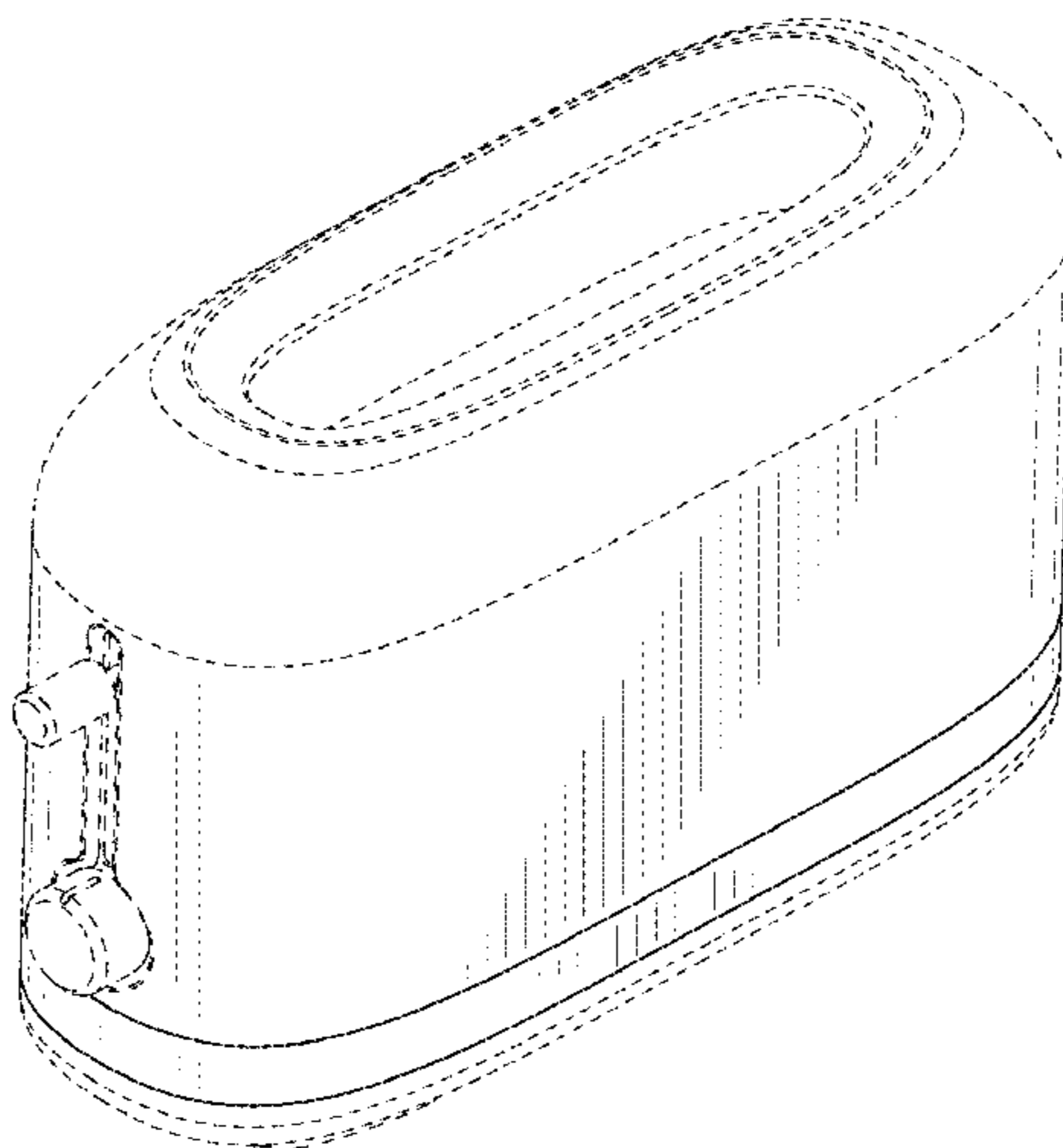
(57) **CLAIM**

We claim the ornamental design for a toaster, as shown and described.

**DESCRIPTION**

FIG. 1 is a front perspective view of one embodiment of a toaster of the present disclosure; FIG. 2 is a rear perspective view of the toaster of FIG. 1; FIG. 3 is a first side elevational view of the toaster of FIG. 1; FIG. 4 is a second side elevational view of the toaster of FIG. 1; FIG. 5 is a front elevational view of the toaster of FIG. 1; FIG. 6 is a rear elevational view of the toaster of FIG. 1. FIG. 7 is a top plan view of the toaster of FIG. 1; and, FIG. 8 is a bottom plan view of the toaster of FIG. 1. The broken lines depict portions of the article that form no part of the claimed design.

**1 Claim, 8 Drawing Sheets**



(56)

**References Cited**

## U.S. PATENT DOCUMENTS

D527,568	S	*	9/2006	Page	.....	D7/330
D548,512	S		8/2007	Nakatani		
D553,421	S	*	10/2007	Kim	.....	D7/330
D567,570	S	*	4/2008	O'Loughlin	.....	D7/330
D569,166	S	*	5/2008	Borin	.....	D7/330
D593,357	S	*	6/2009	Picozza	.....	D7/330
D593,358	S	*	6/2009	Kim	.....	D7/330
D640,893	S	*	7/2011	Lindquist	.....	D7/330
D644,473	S	*	9/2011	Pantaleo	.....	D7/330
D686,865	S	*	7/2013	De'Longhi	.....	D7/330
D688,508	S	*	8/2013	Garman	.....	D7/330
D688,509	S		8/2013	Carlson		
D701,720	S	*	4/2014	Palermo	.....	D7/330
D746,093	S	*	12/2015	Bazzicalupo	.....	D7/330
D746,624	S		1/2016	Sun		
D759,417	S	*	6/2016	Carpenter	.....	D7/330
D761,610	S	*	7/2016	Carpenter	.....	D7/330
D765,456	S	*	9/2016	Lee	.....	D7/330
2002/0069764	A1		6/2002	Cohen		
2006/0201333	A1		9/2006	Friel et al.		
2011/0132895	A1		6/2011	Tassan-Mangina et al.		

\* cited by examiner

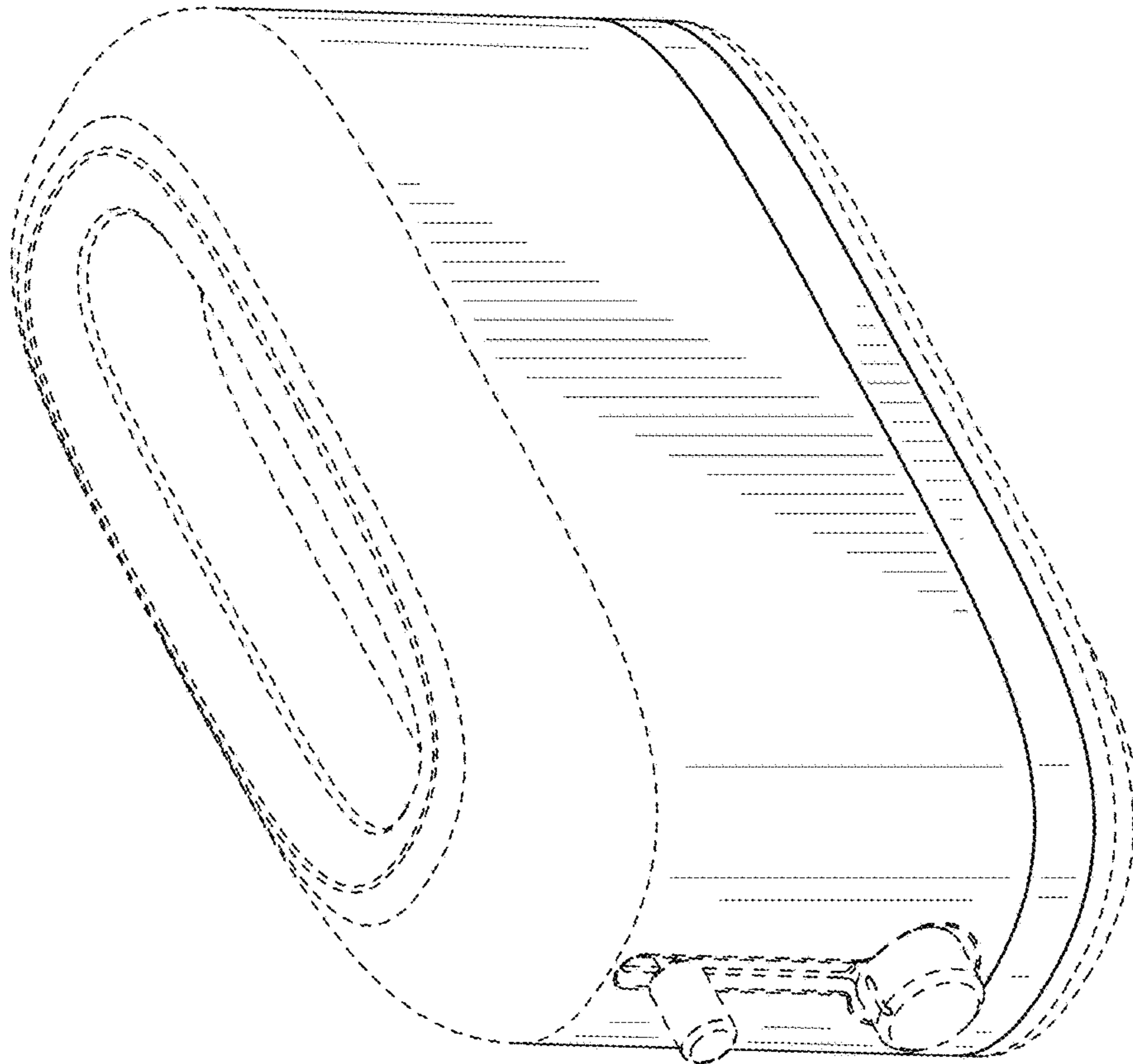


FIG. 1

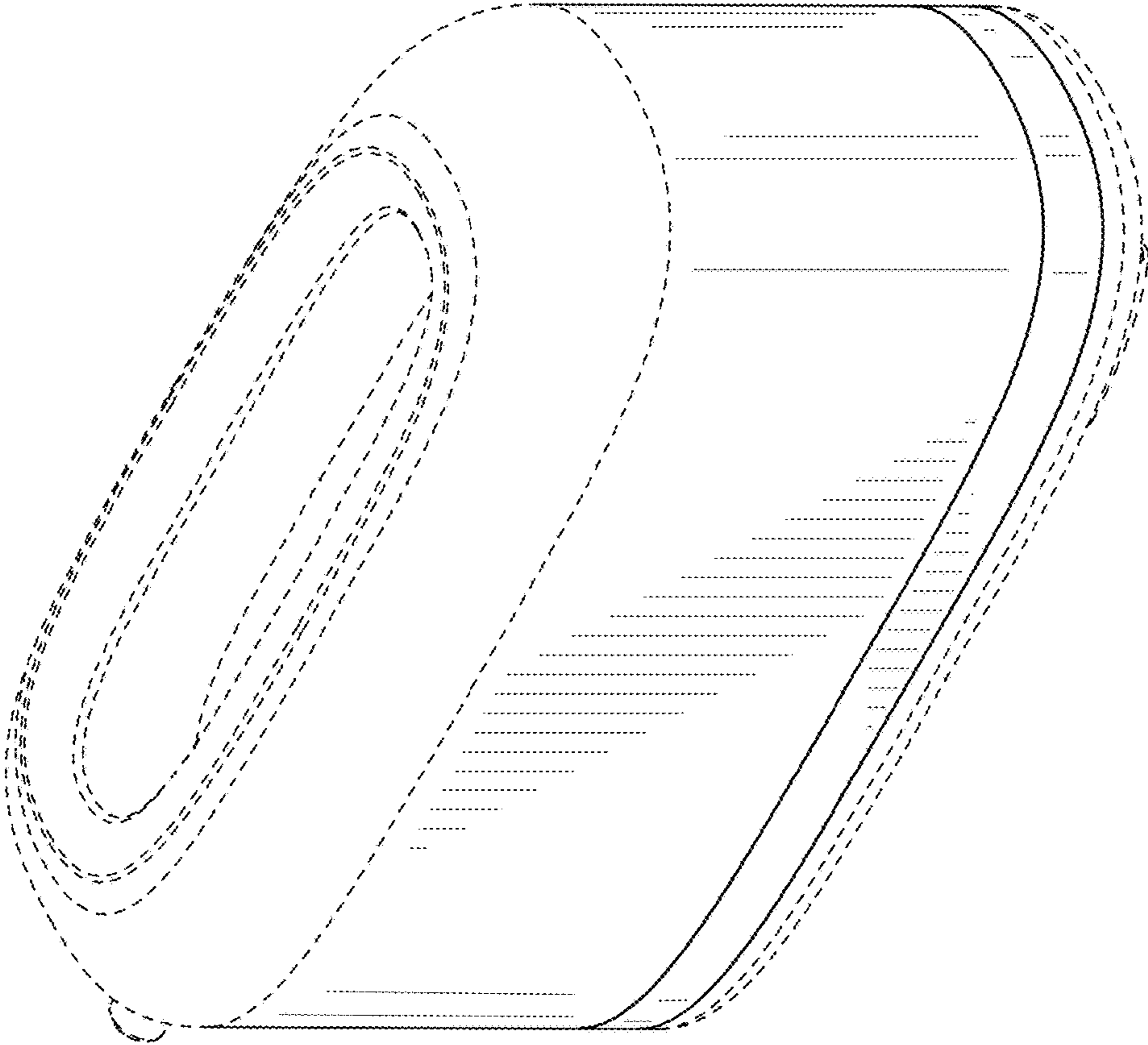


FIG. 2

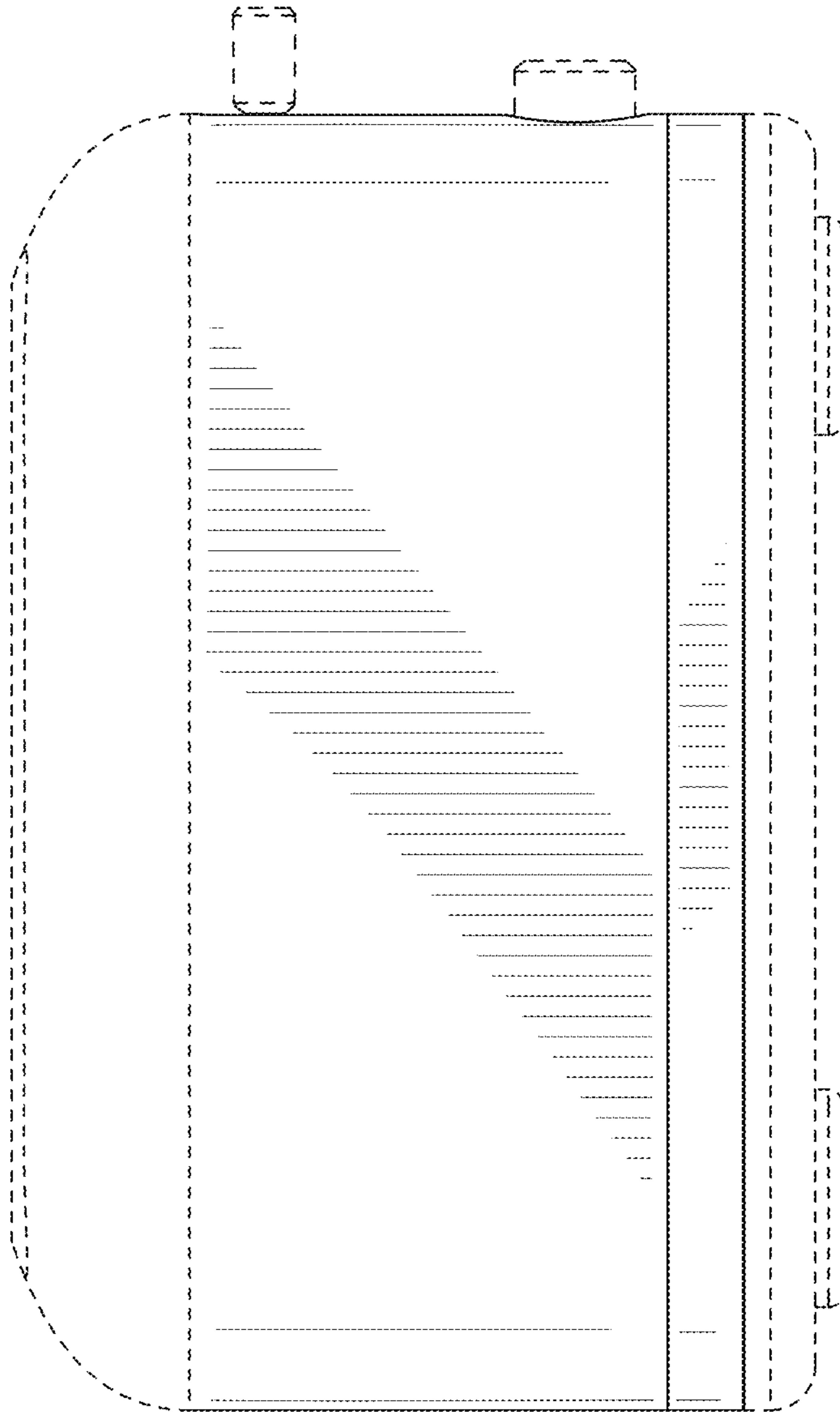


FIG. 3

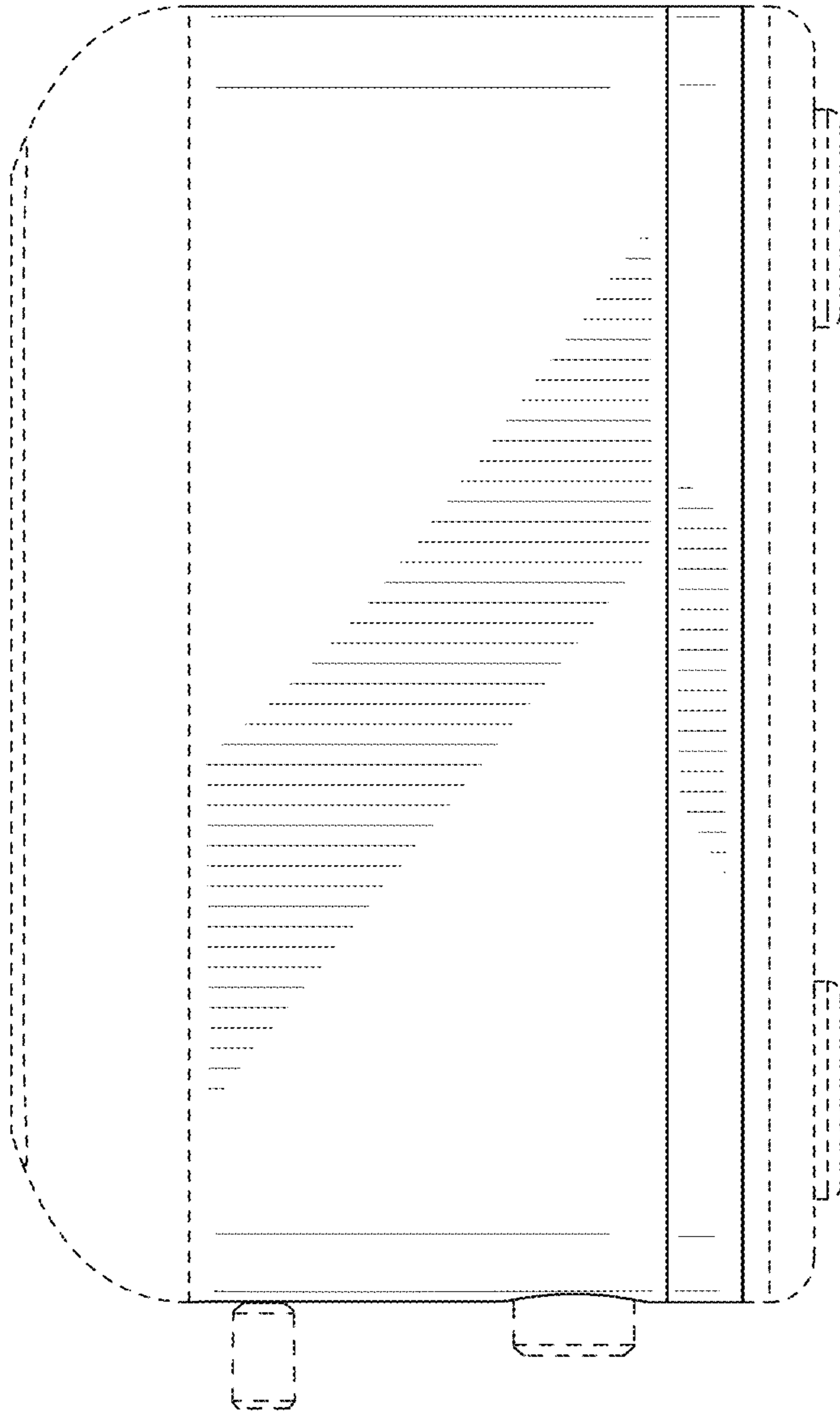


FIG. 4

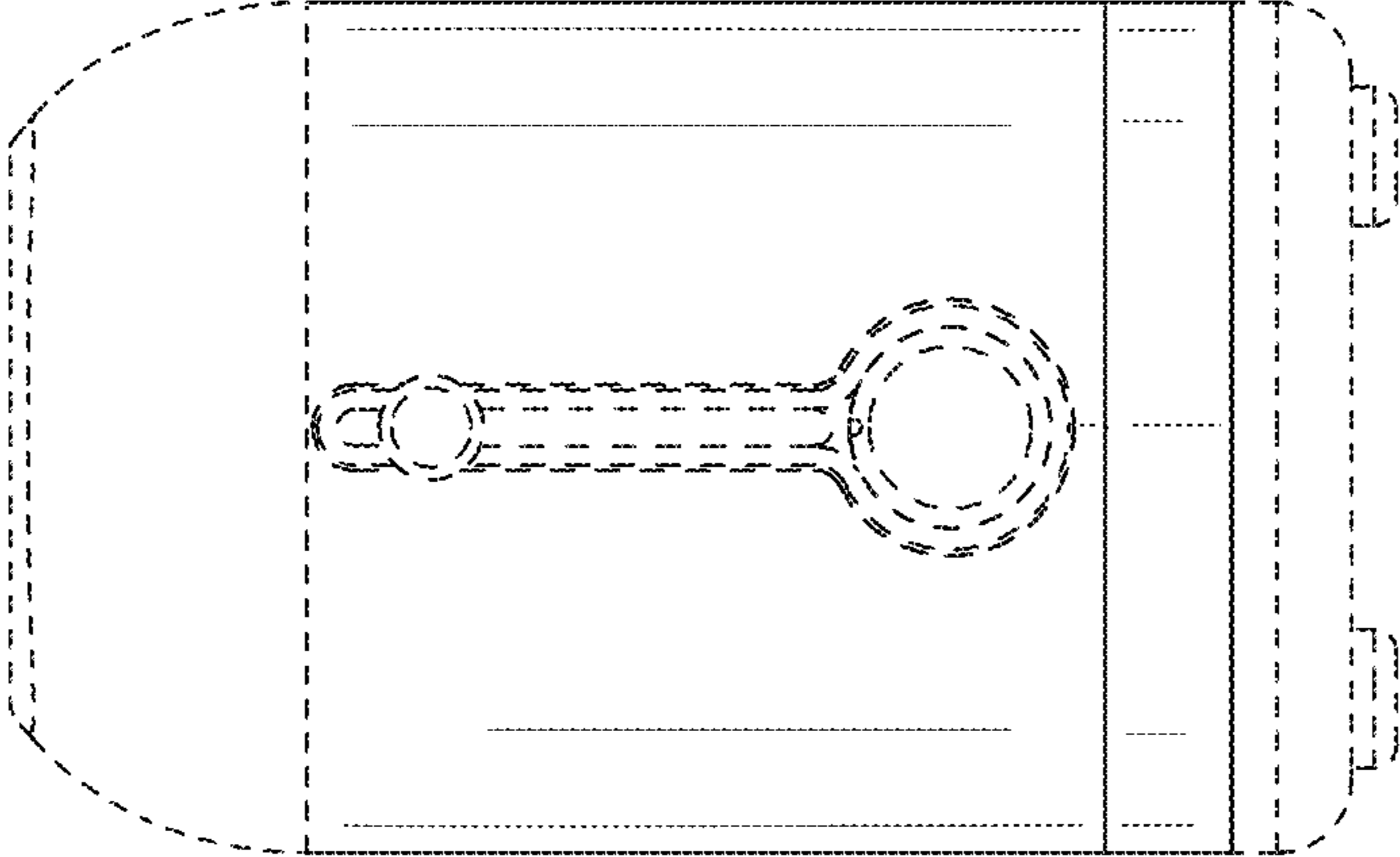


FIG. 5

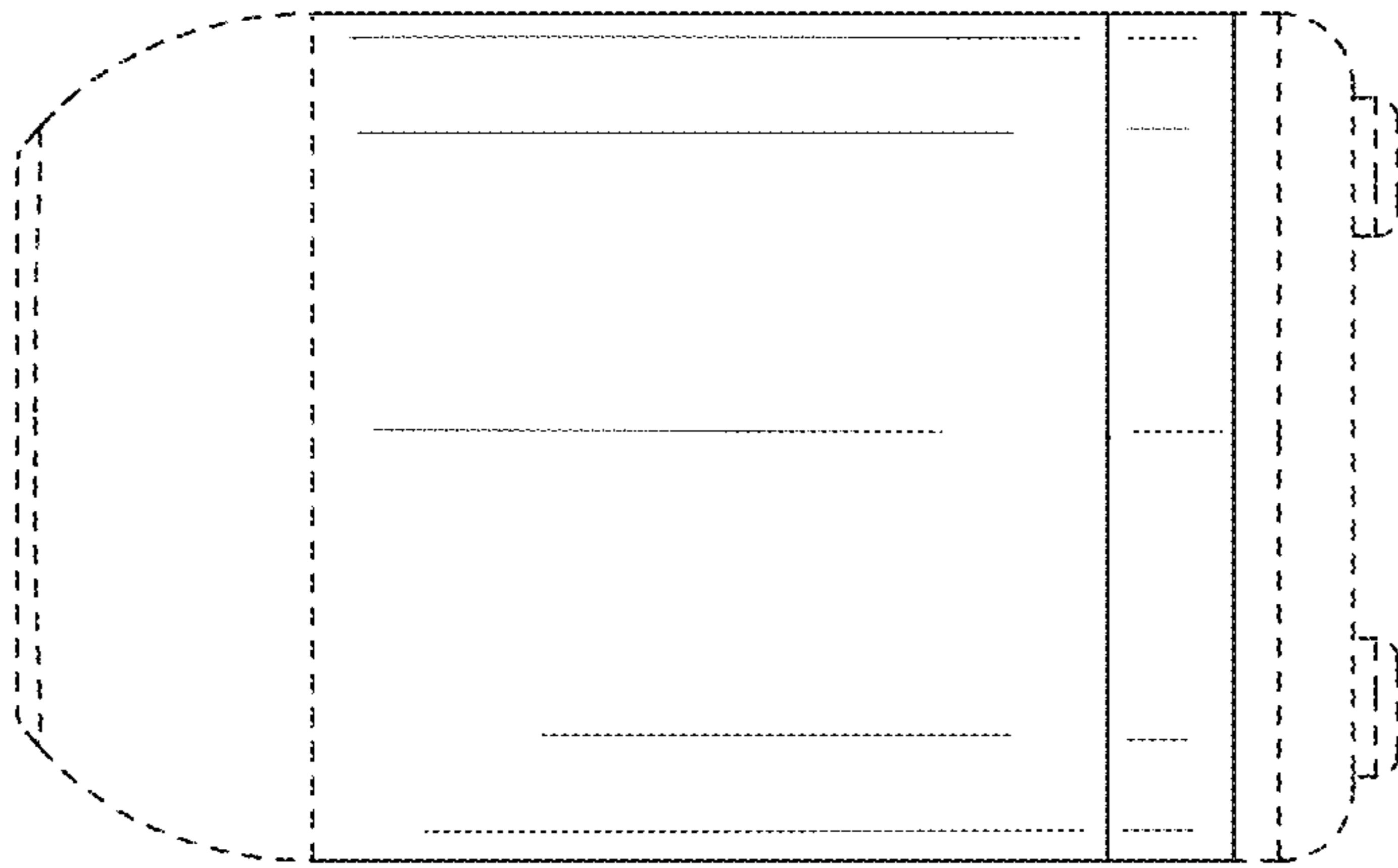
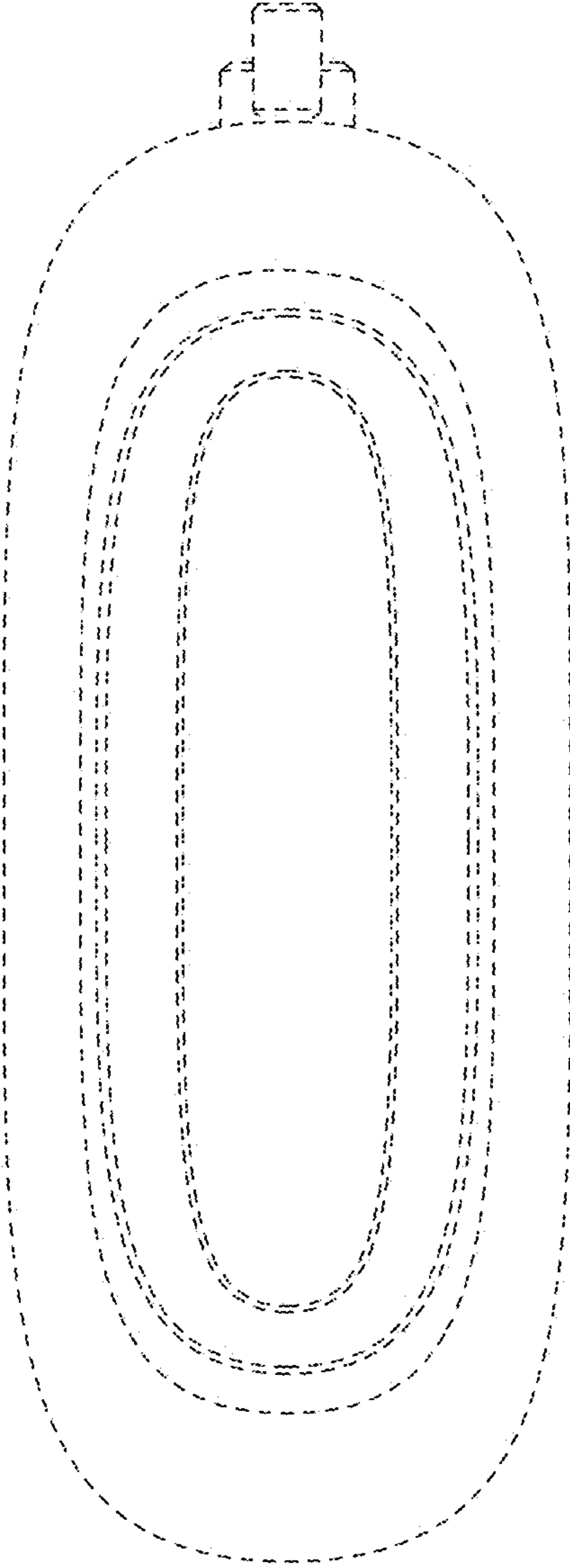


FIG. 6





**FIG. 7**

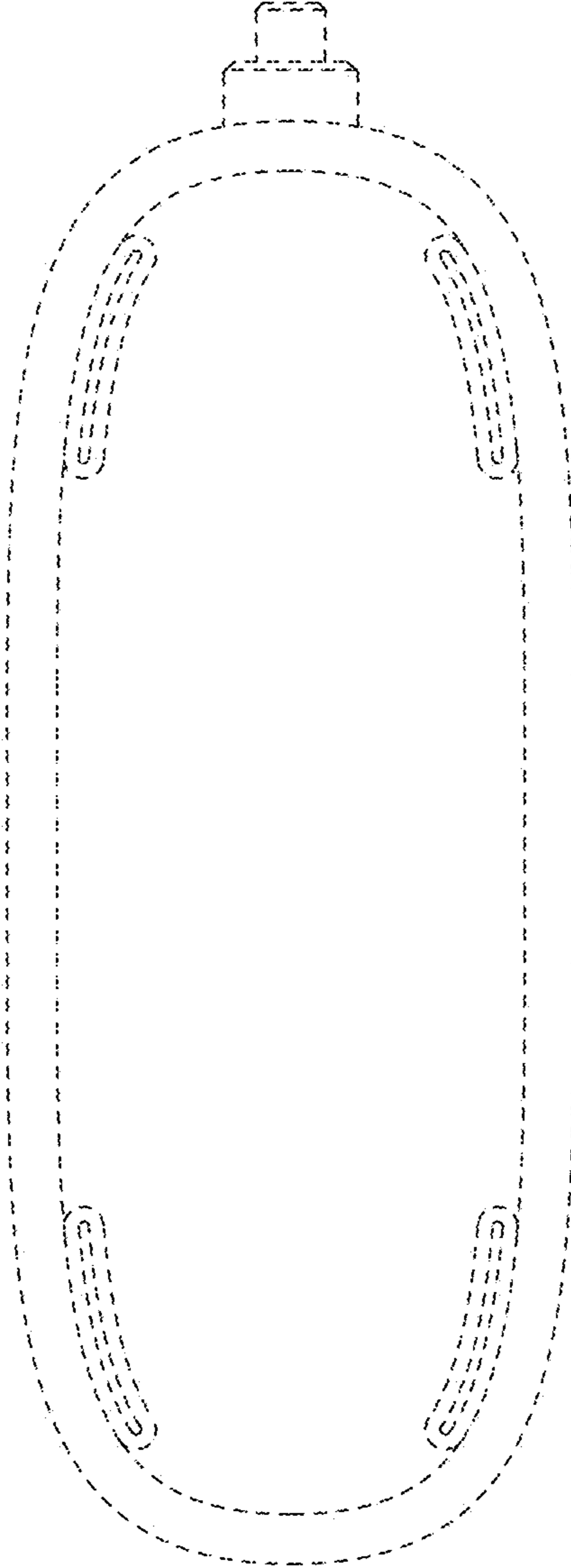


FIG. 8