



US00D810491S

(12) **United States Design Patent**
Naden

(10) **Patent No.:** **US D810,491 S**

(45) **Date of Patent:** **** Feb. 20, 2018**

(54) **COFFEE PRESS**

(71) Applicant: **Mark Naden**, Brooklyn, NY (US)

(72) Inventor: **Mark Naden**, Brooklyn, NY (US)

(73) Assignee: **HELEN OF TROY LIMITED**, St. Michael (BB)

(**) Term: **15 Years**

(21) Appl. No.: **29/569,755**

(22) Filed: **Jun. 30, 2016**

(51) **LOC (11) Cl.** **07-01**

(52) **U.S. Cl.**
USPC **D7/318; D7/317**

(58) **Field of Classification Search**
USPC D7/316, 317, 318, 319, 303, 302, 312,
D7/322, 321, 600; D10/46.2; D9/524,
D9/526, 527; 222/573; D23/212, 211.2
CPC B65D 23/06; B65D 47/06; B67D 1/16;
A47G 19/00

See application file for complete search history.

(56) **References Cited**

U.S. PATENT DOCUMENTS

D343,760 S * 2/1994 Lin D7/316
D384,539 S * 10/1997 Joergensen D7/316

D384,540 S * 10/1997 Joergensen D7/317
D404,967 S * 2/1999 Chen D7/318
D559,028 S * 1/2008 Appleton D7/317
D567,006 S * 4/2008 Bodum D7/317
D645,290 S * 9/2011 Bodum D7/317
D654,756 S * 2/2012 Bodum D7/317
D681,388 S * 5/2013 Bodum D7/317
D699,502 S * 2/2014 Hoyord D7/319

* cited by examiner

Primary Examiner — Marianne Pandozzi

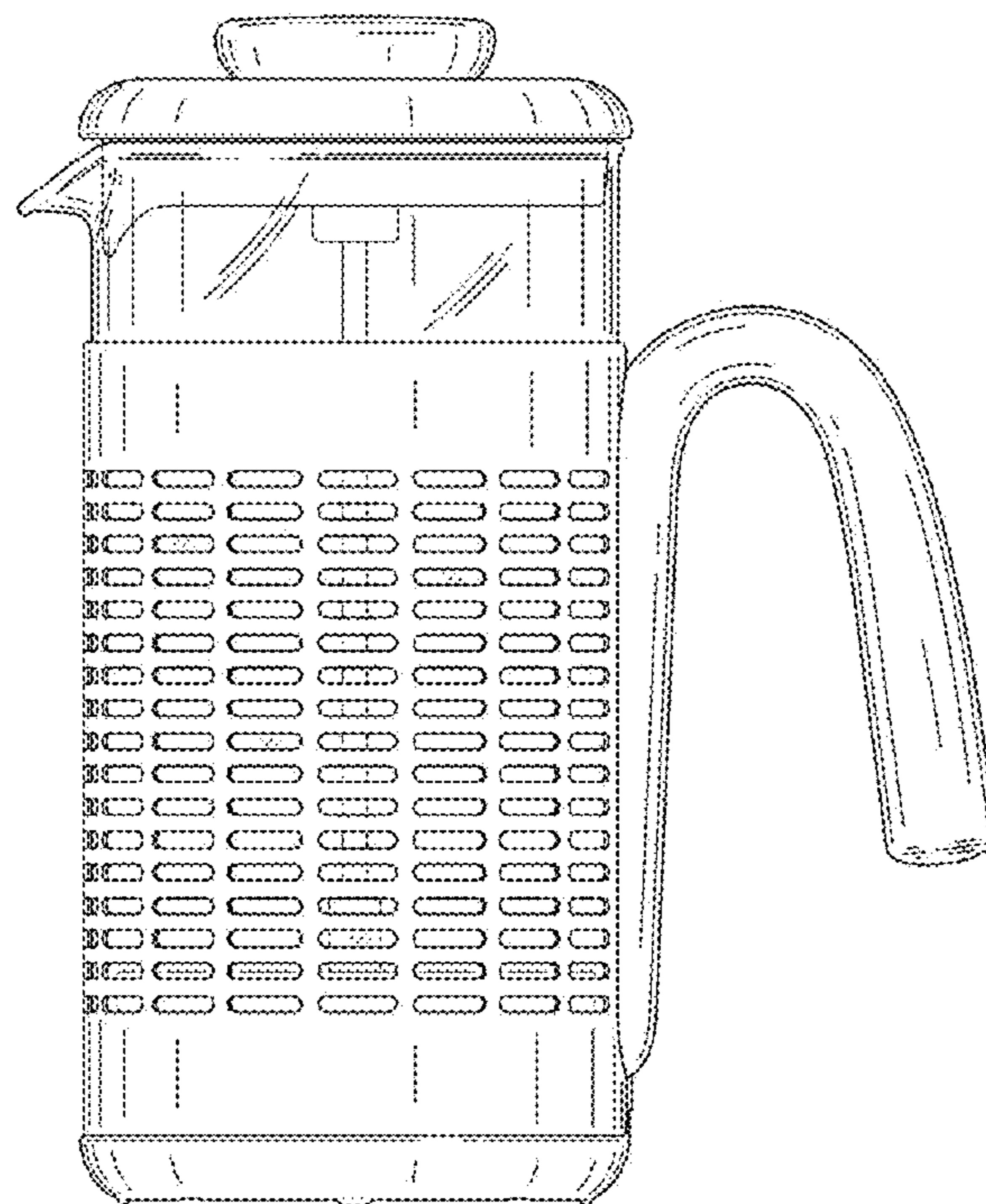
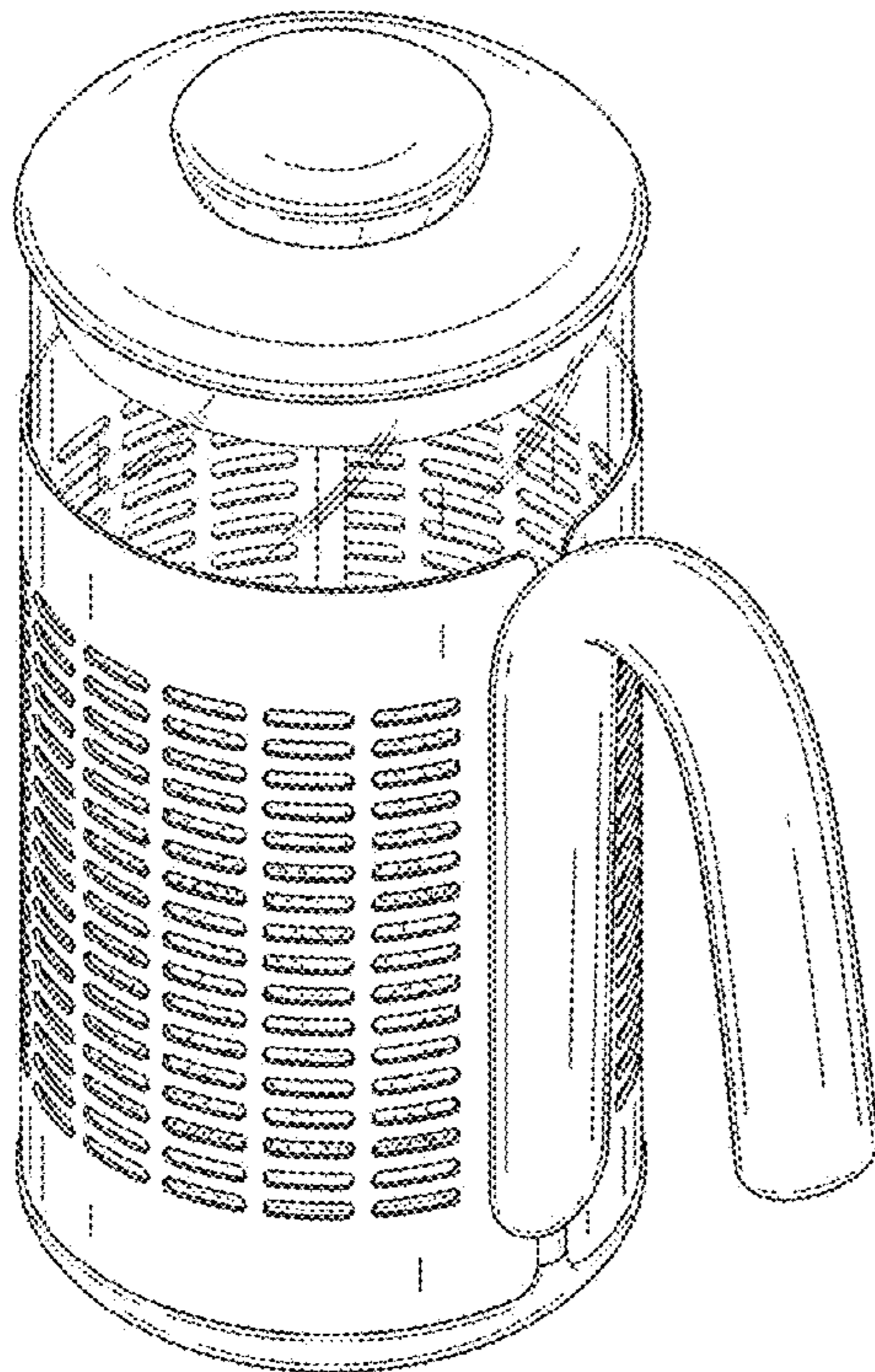
(57) **CLAIM**

The ornamental design for a coffee press, as shown, and described.

DESCRIPTION

FIG. 1 is a perspective view of the coffee press;
FIG. 2 is a front view of the coffee press;
FIG. 3 is a rear view of the coffee press;
FIG. 4 is a left side view of the coffee press;
FIG. 5 is a right side view of the coffee press;
FIG. 6 is a top plan view of the coffee press; and,
FIG. 7 is a bottom plan view of the coffee press.
The broken lines in the FIG. 7 drawing, including the partially visible coffee plunger, depicts portions of the coffee press that form no part of the claimed design.

1 Claim, 7 Drawing Sheets



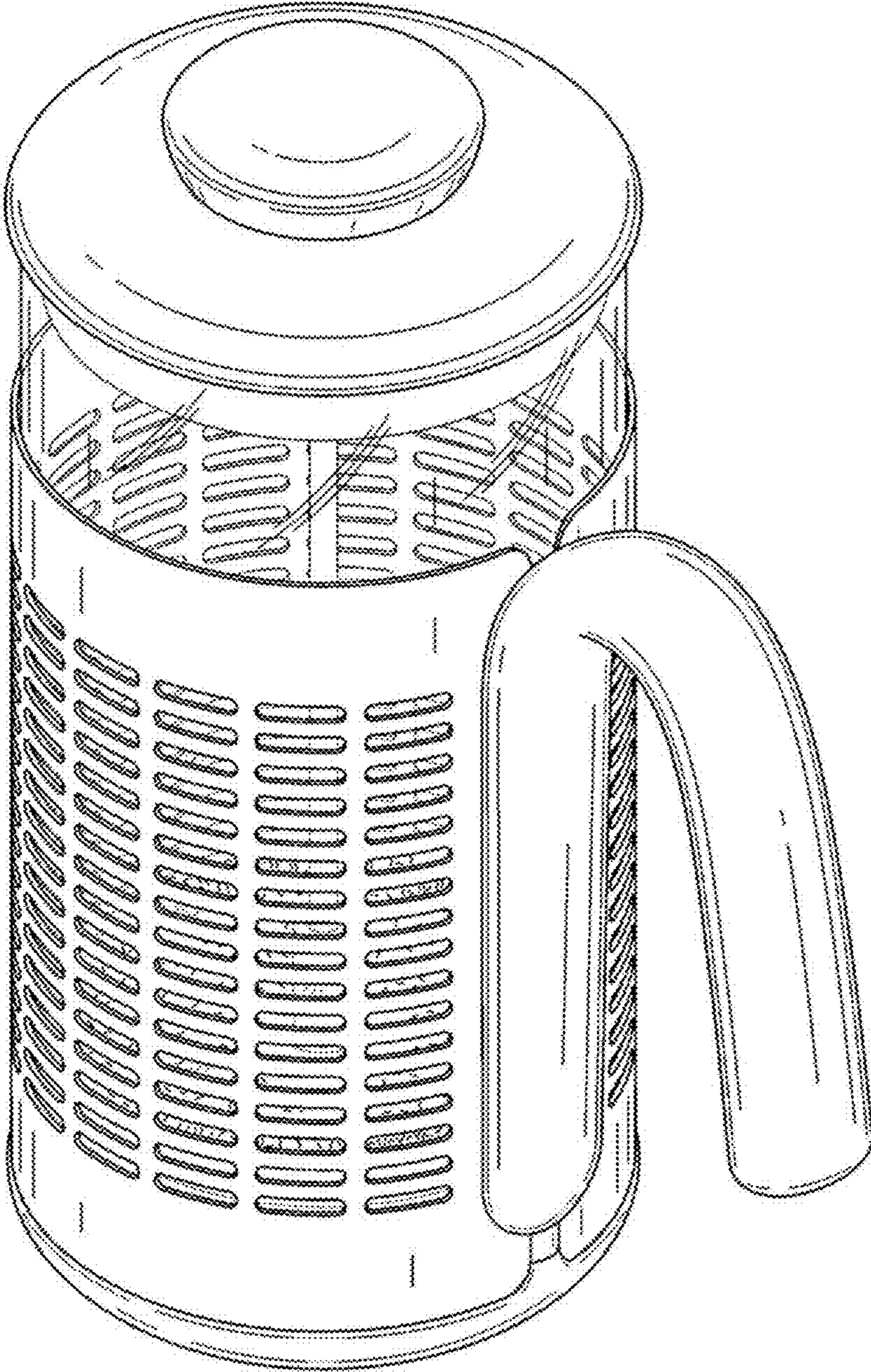


Figure 1

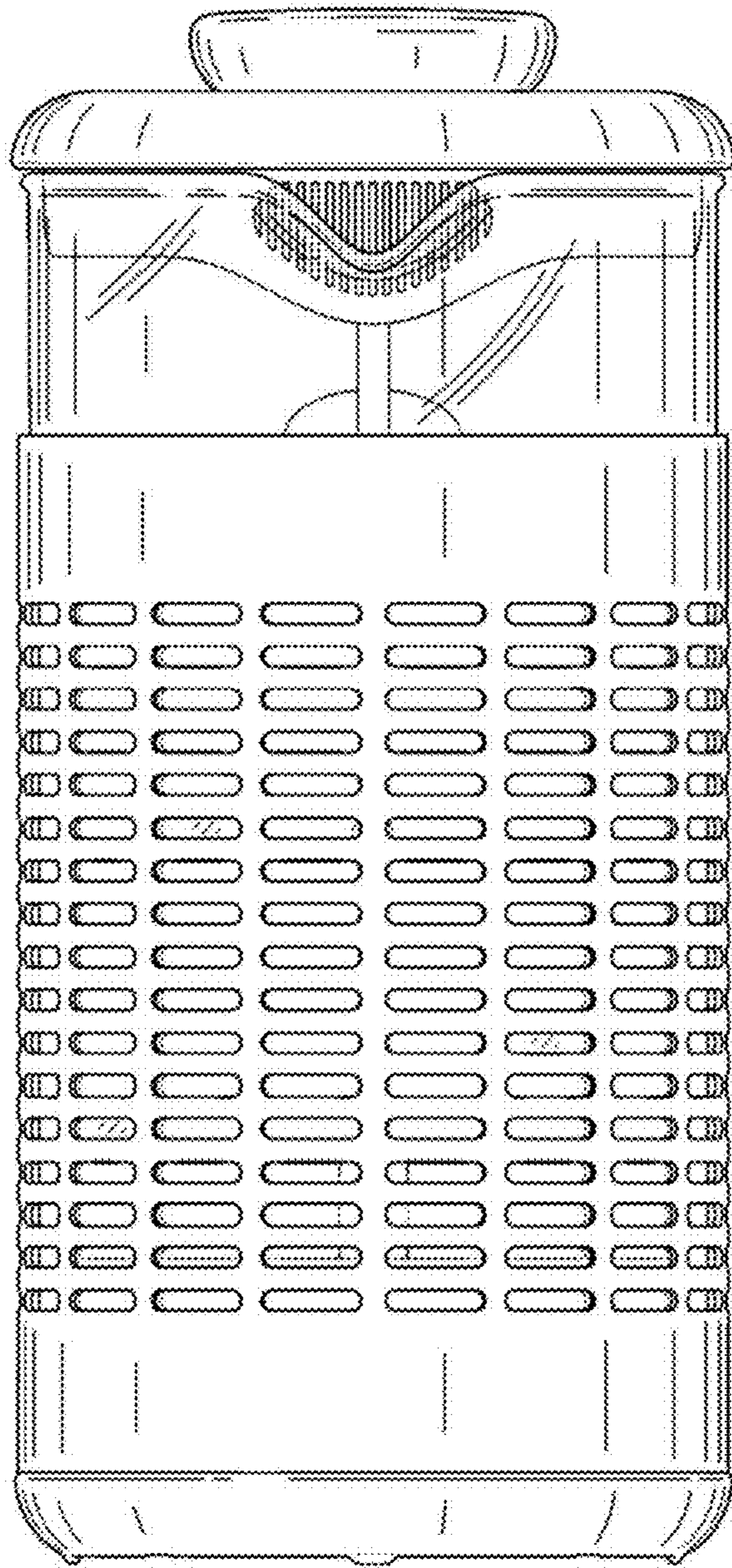


Figure 2

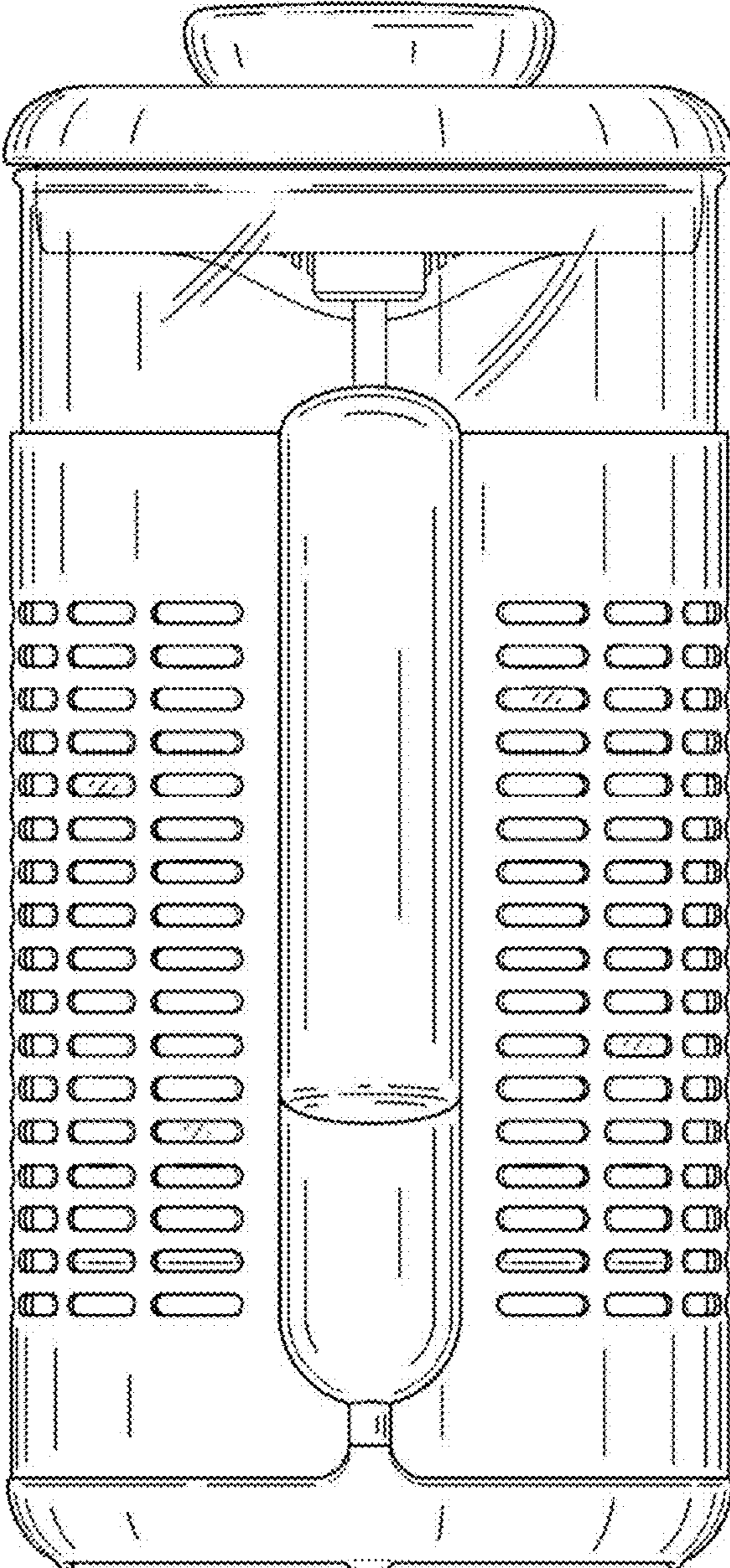


Figure 3

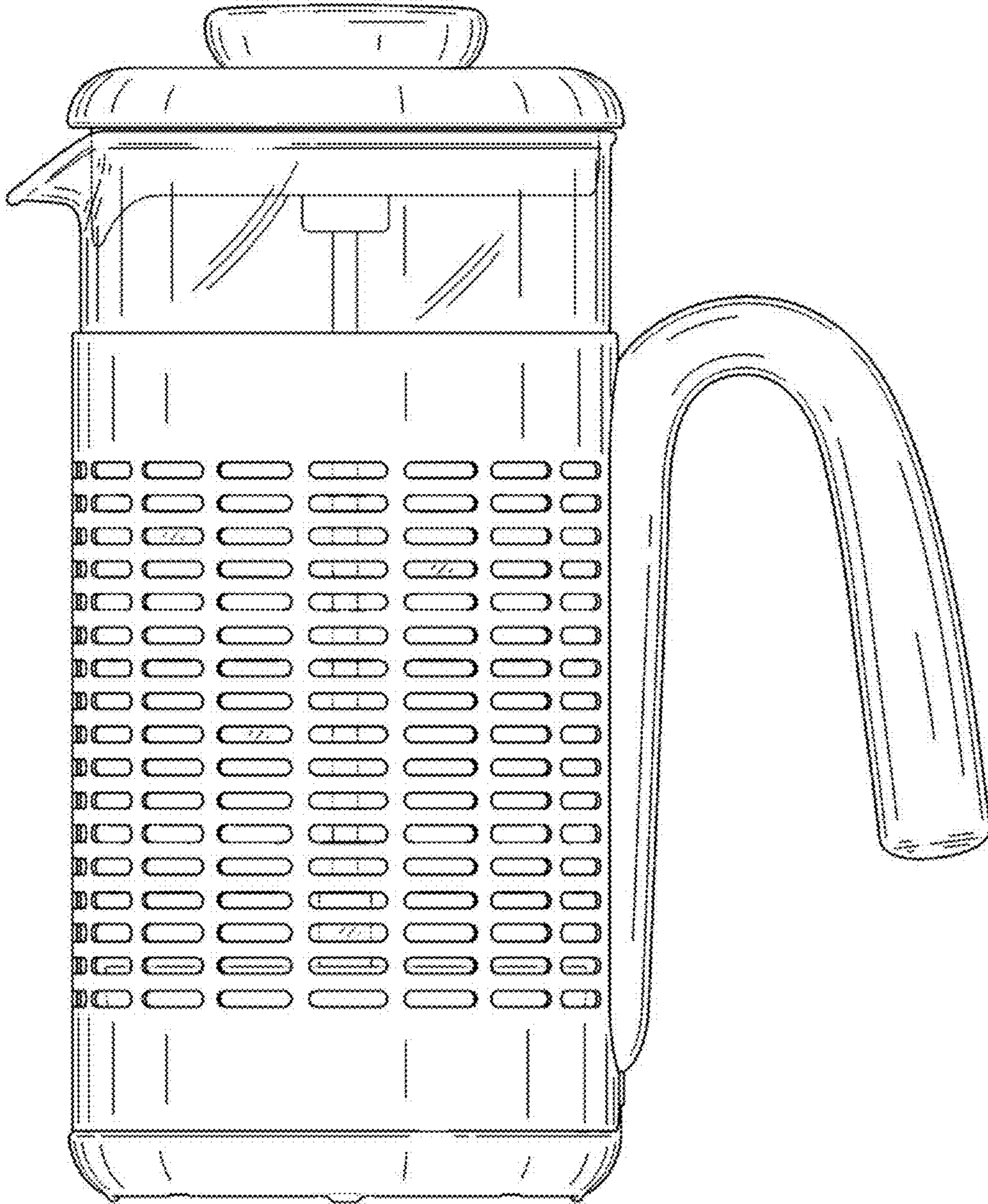


Figure 4

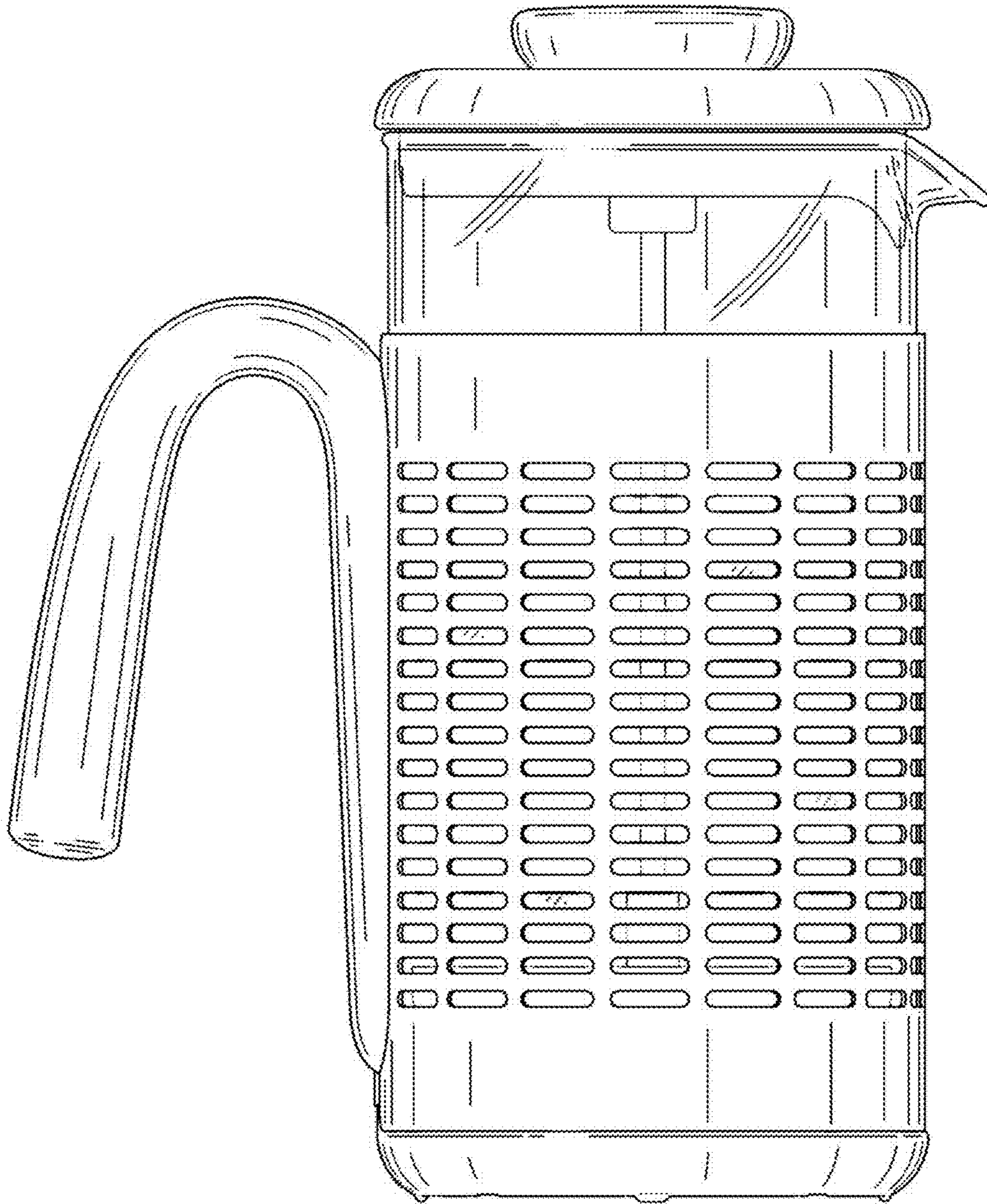


Figure 5

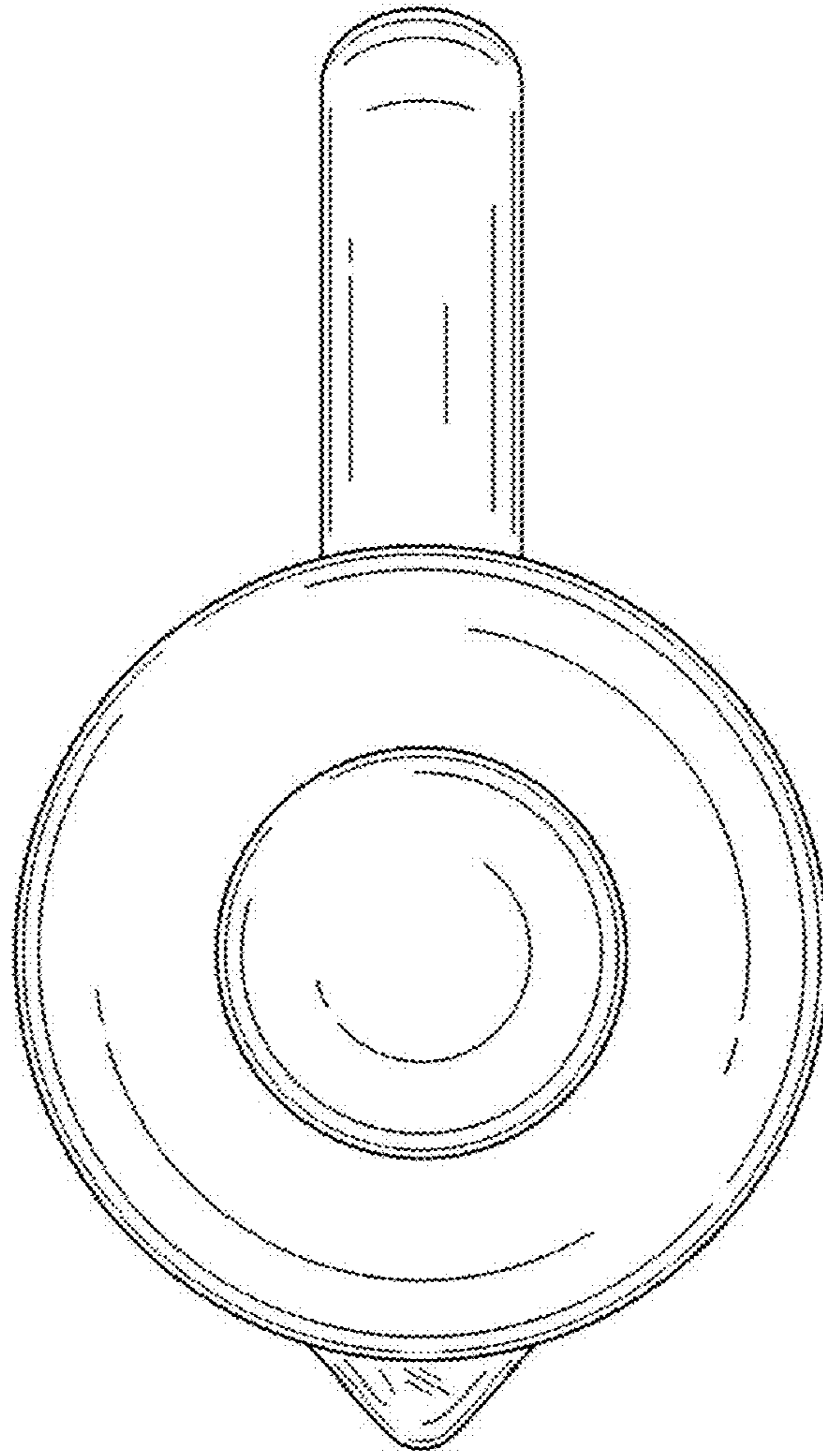


Figure 6

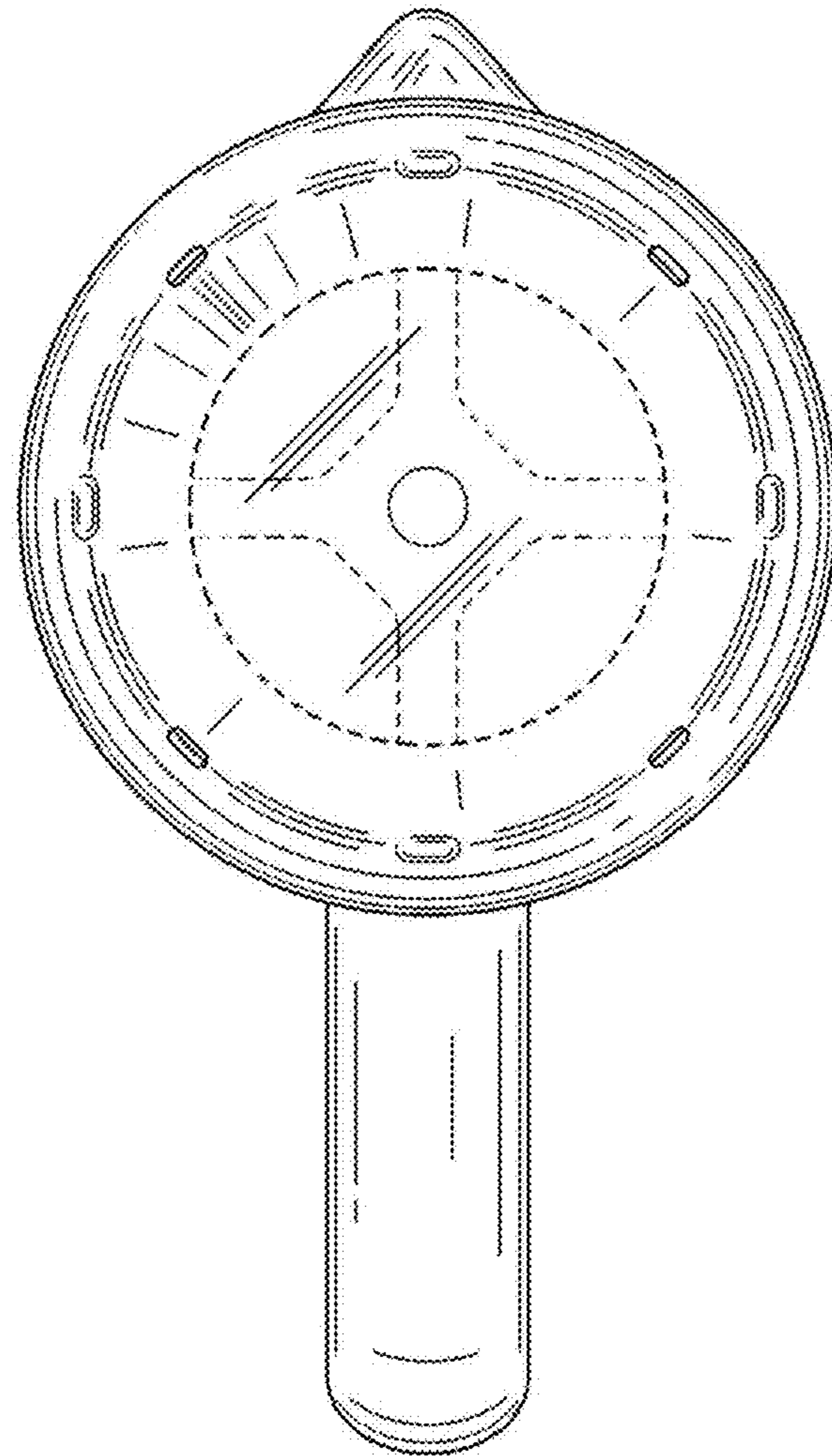


Figure 7