



US00D810489S

(12) **United States Design Patent**  
**Cassidy**

(10) **Patent No.:** **US D810,489 S**

(45) **Date of Patent:** **\*\* Feb. 20, 2018**

- (54) **HAMMOCK**
- (71) Applicant: **VIVERE LTD.**, Guelph (CA)
- (72) Inventor: **Richard Cassidy**, Billinudgel (AU)
- (73) Assignee: **VIVERE LTD.**, Guelph (CA)
- (\*\*) Term: **15 Years**
- (21) Appl. No.: **29/599,132**
- (22) Filed: **Mar. 31, 2017**

D389,050 S	1/1998	Li	
D407,240 S	3/1999	Payne	
D443,431 S *	6/2001	Tseng	D6/387
D580,667 S *	11/2008	Lee	D6/355
D597,828 S	8/2009	Tanaka et al.	
D601,826 S *	10/2009	Branch, III	D6/387
D682,000 S *	5/2013	Nguyen	D6/718.11
D772,052 S	11/2016	Mutamba et al.	
2008/0078024 A1 *	4/2008	Weir	A45F 3/24 5/128
2009/0000029 A1 *	1/2009	Branch, III	A45F 3/24 5/129

(Continued)

**Related U.S. Application Data**

- (62) Division of application No. 29/550,229, filed on Dec. 31, 2015, now Pat. No. Des. 786,001.
- (51) **LOC (11) Cl.** ..... **06-06**
- (52) **U.S. Cl.**  
USPC ..... **D6/718.11**
- (58) **Field of Classification Search**  
USPC ..... D6/386, 387, 718.1, 718.11, 344  
CPC ..... A45F 3/22; A45F 3/24  
See application file for complete search history.

**References Cited**

**U.S. PATENT DOCUMENTS**

- 144,219 A \* 11/1873 Park ..... A47C 3/0255  
5/129
- 679,963 A \* 8/1901 Hayward ..... A47C 3/0255  
5/128
- 786,831 A 4/1905 McMahon
- D217,225 S 4/1970 Fitzsimmons
- D242,966 S 1/1977 MacMillan
- 5,153,955 A \* 10/1992 Singleton, Jr. .... A45F 3/24  
5/127
- 5,224,225 A \* 7/1993 Singleton, Jr. .... A45F 3/24  
5/127
- 5,331,725 A 6/1994 Chou
- D367,219 S 2/1996 Von Gunten
- D379,298 S 5/1997 Bowen et al.

**OTHER PUBLICATIONS**

Vivere Hammock Stand, Hamikk.com, site visited Mar. 14, 2017, available from internet <URL: <https://www.hamikk.com/collections/hammocks/products/doublecottonhammockwithsolidpinearcstand8ft>> Mar. 14, 2017.

(Continued)

*Primary Examiner* — Cathron C Brooks  
(74) *Attorney, Agent, or Firm* — Hodgson Russ LLP

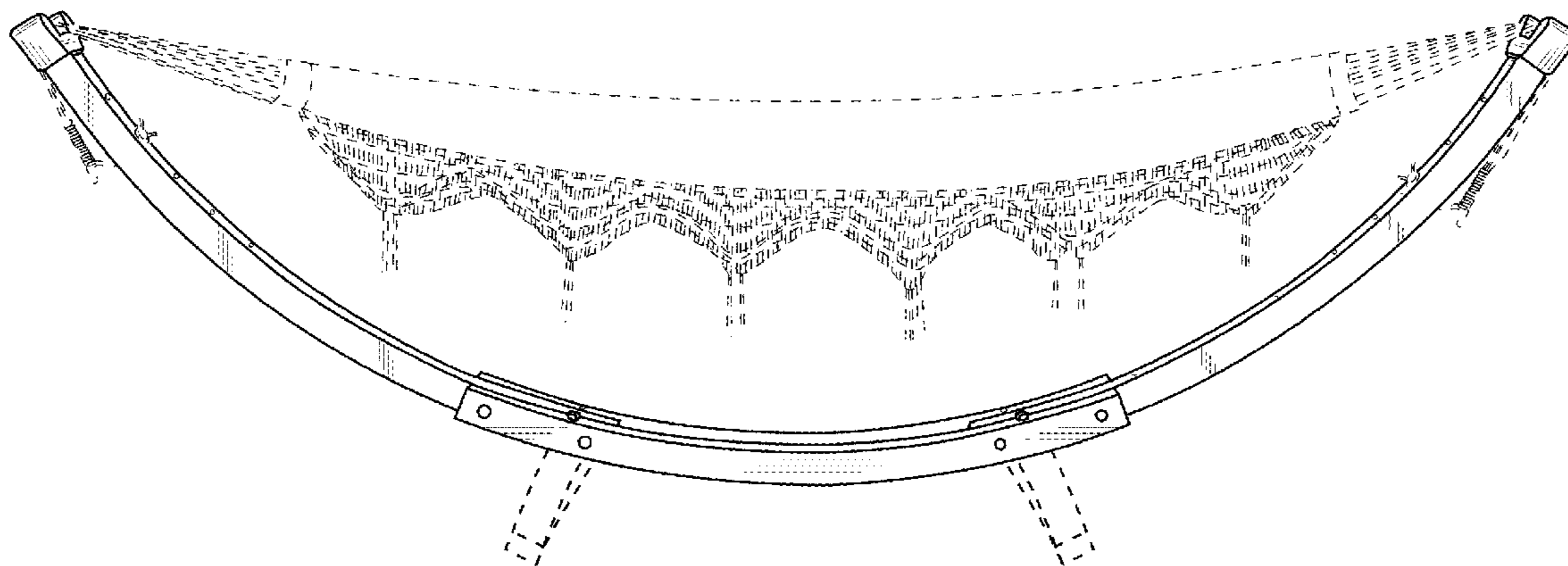
(57) **CLAIM**

The ornamental design for a hammock, as shown and described.

**DESCRIPTION**

FIG. 1 is a perspective view of a hammock; FIG. 2 is a front elevation view thereof; FIG. 3 is a rear elevation view thereof; FIG. 4 is a left side elevation view thereof; FIG. 5 is a right side view thereof; FIG. 6 is a top plan view thereof; FIG. 7 is a bottom plan view thereof; and, FIG. 8 is a detail view thereof. The broken lines shown in the drawings illustrate portions of the hammock, and form no part of the claimed design.

**1 Claim, 7 Drawing Sheets**



(56)

**References Cited**

U.S. PATENT DOCUMENTS

2012/0074270 A1 3/2012 Pays  
2013/0117931 A1\* 5/2013 Lemmens ..... A45F 3/22  
5/127

OTHER PUBLICATIONS

Wal mart Steel Hammock Stand, Internet Archive dated Oct. 11, 2014, site visited Mar. 14, 2017, available from internet <URL: <http://web.archive.org/web/20141011020536/http://www.walmart.com/ip/DoubleHammockWithSpaceSavingSteelStandIncludesPortableCarryingCase/38103179>> Mar. 14, 2017.

\* cited by examiner

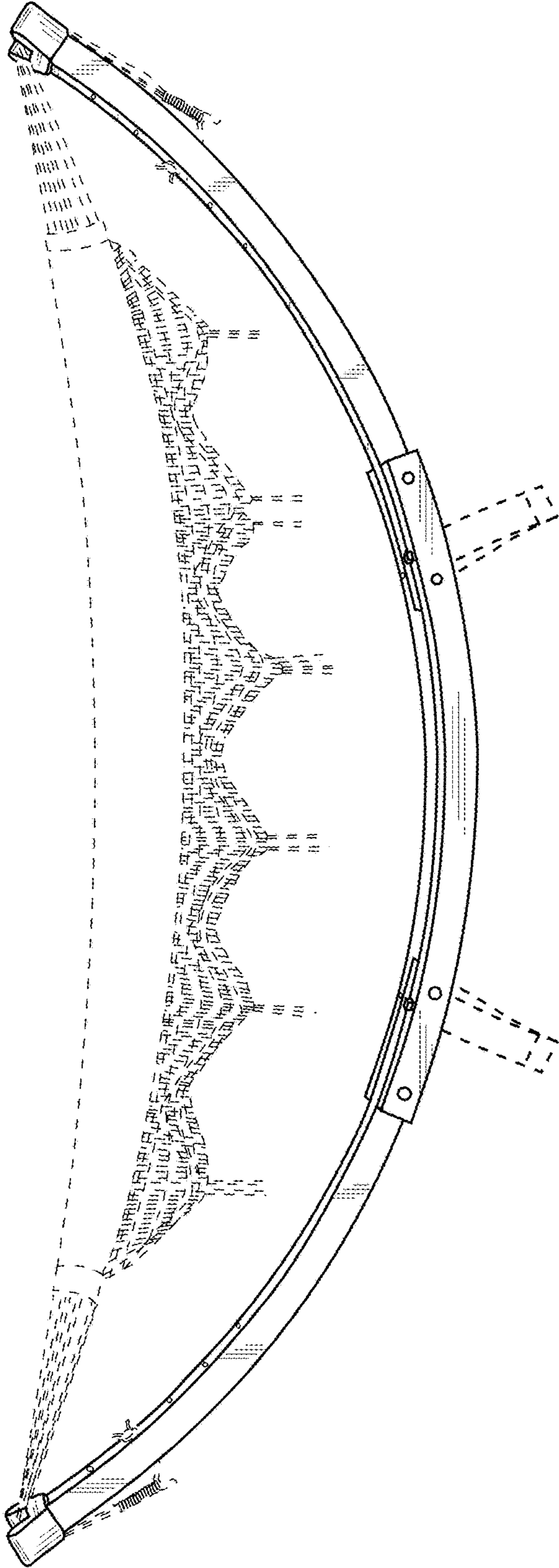


FIG. 1

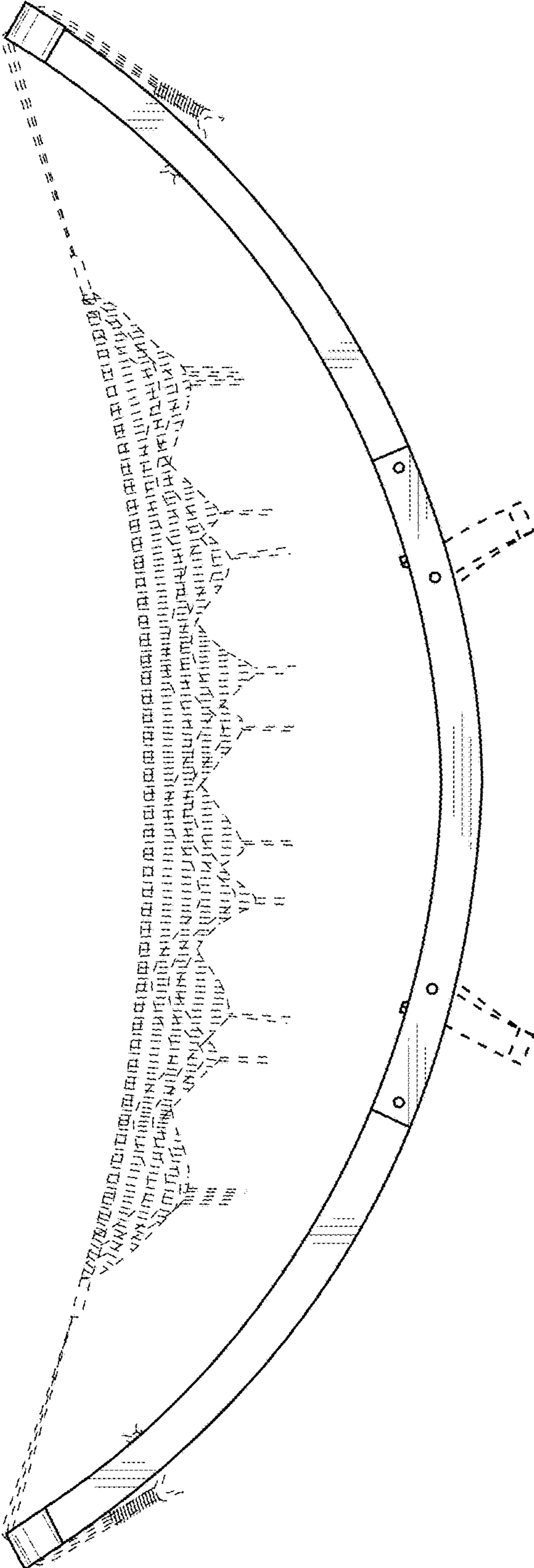
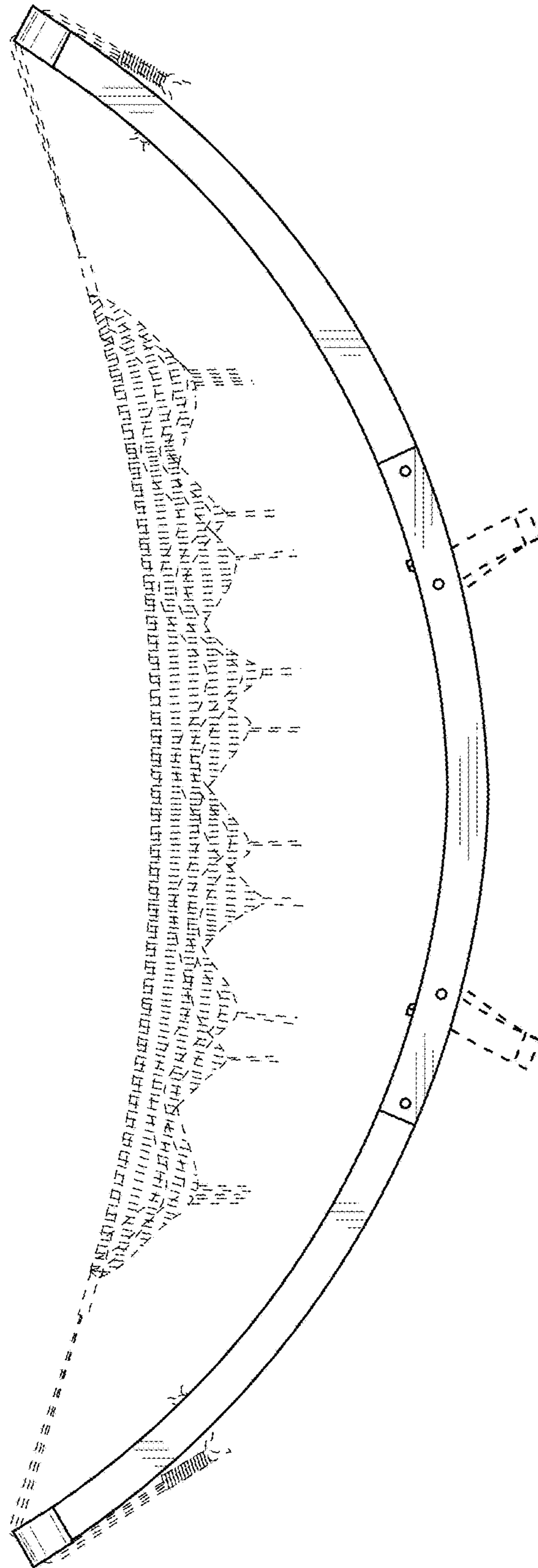
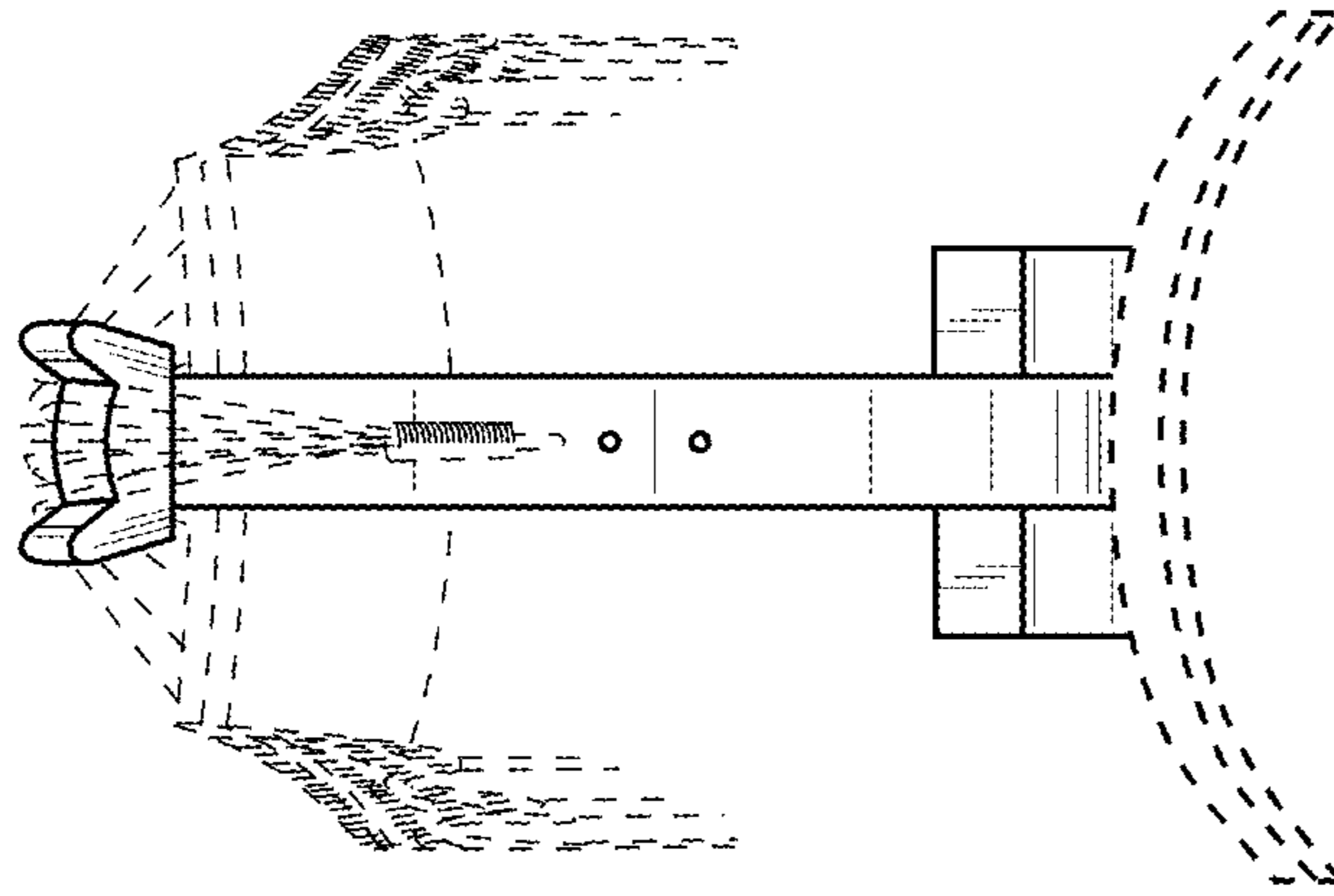


FIG. 2

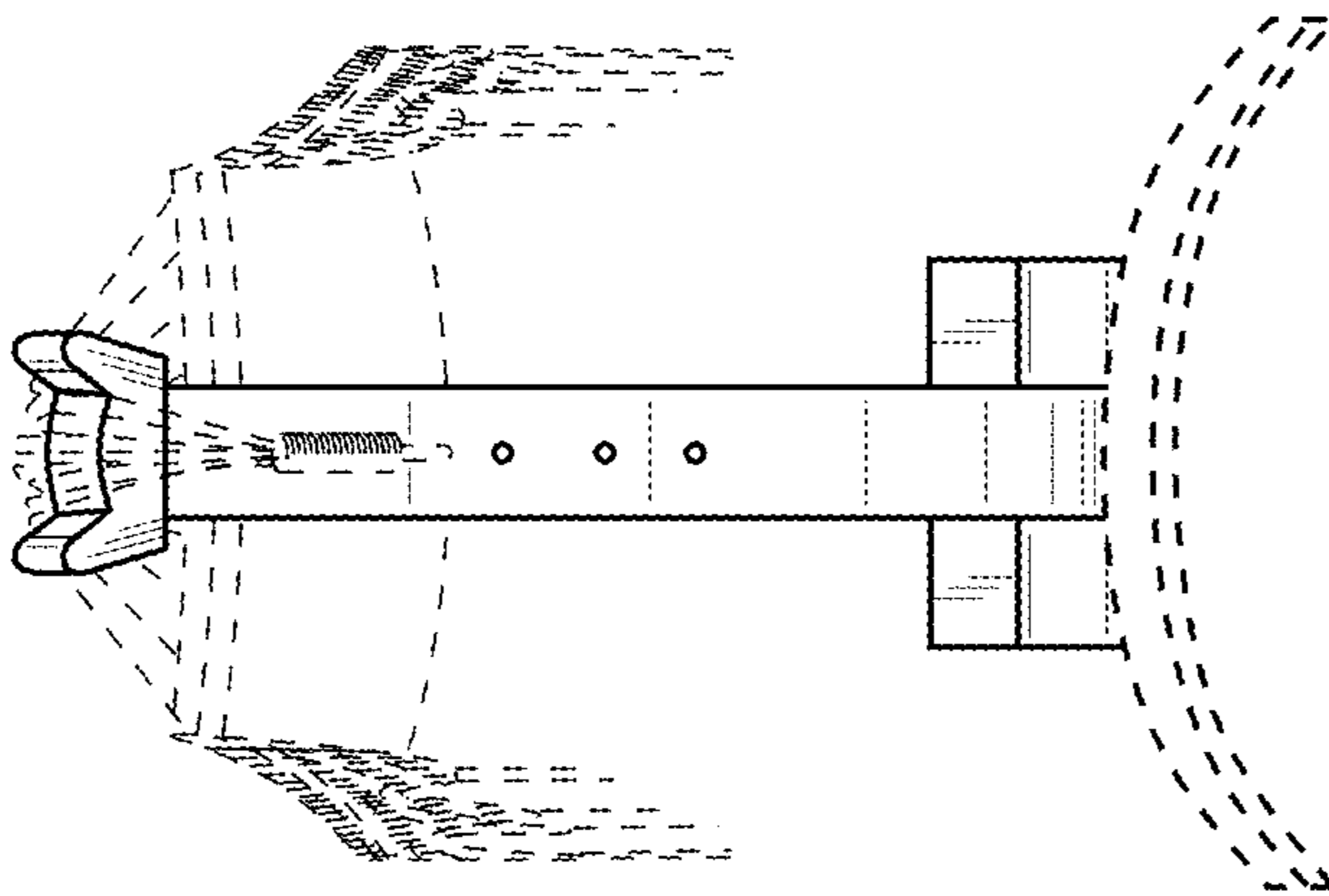




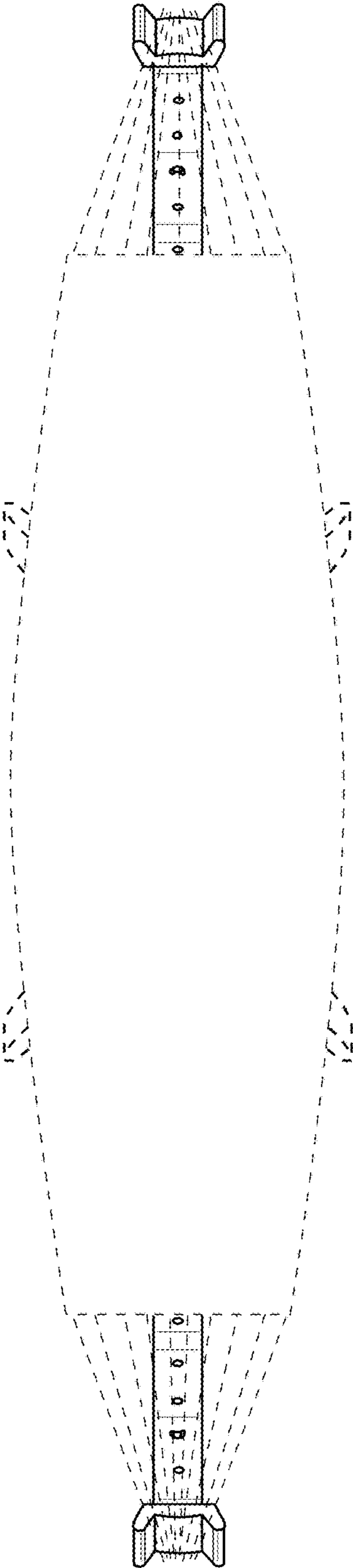
**FIG. 3**



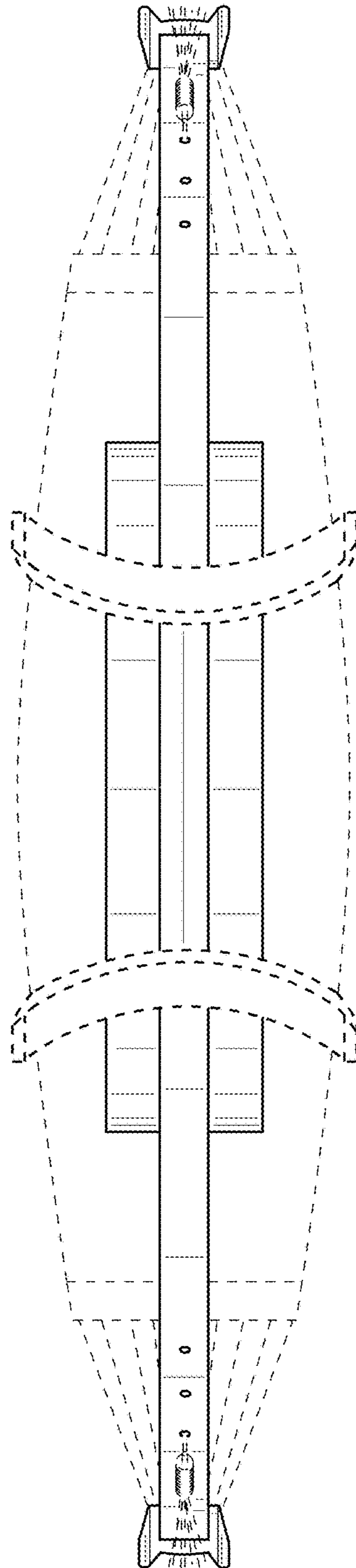
**FIG. 5**



**FIG. 4**



**FIG. 6**



**FIG. 7**



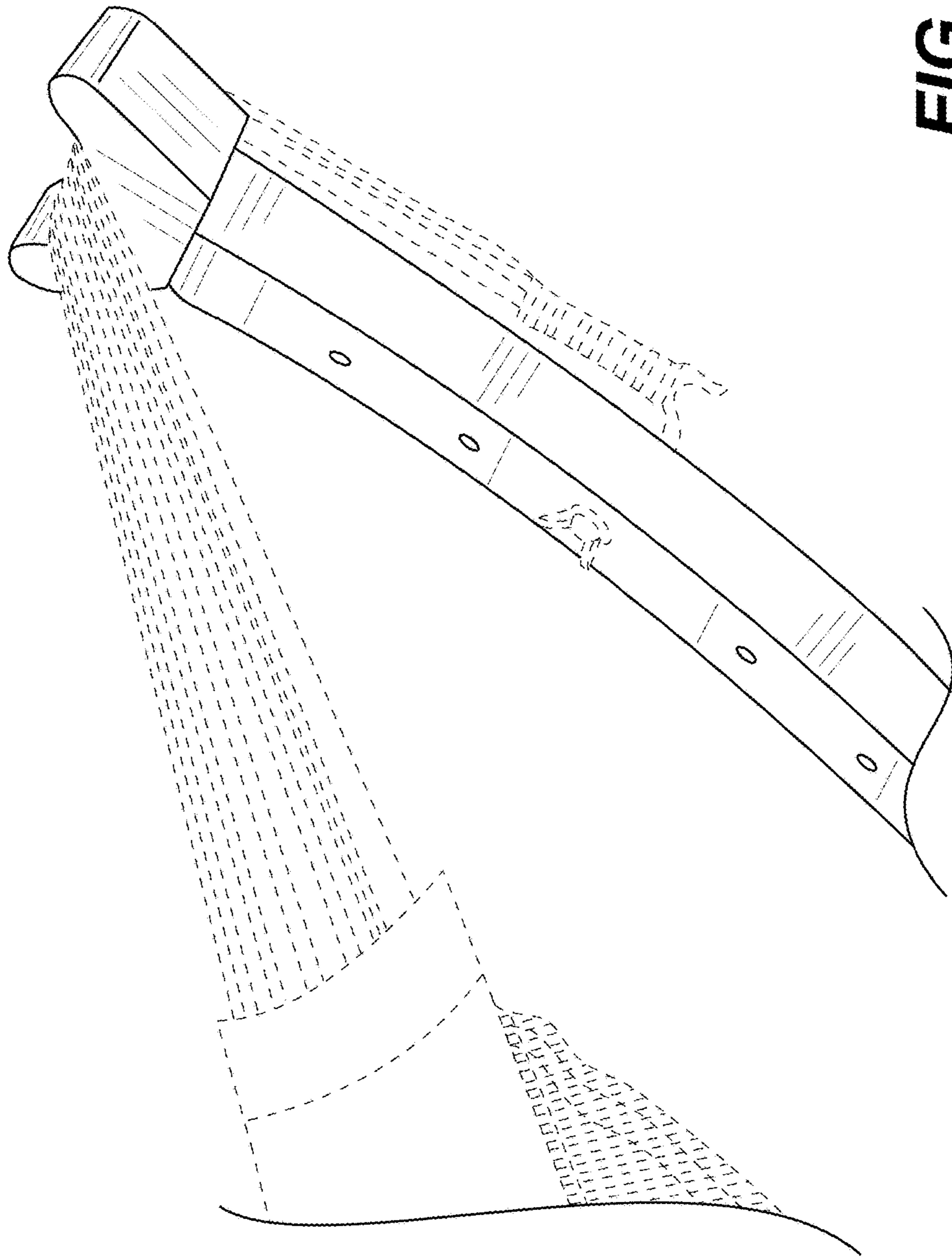


FIG. 8