



US00D810488S

(12) **United States Design Patent** (10) **Patent No.:** **US D810,488 S**
Riggs et al. (45) **Date of Patent:** **** Feb. 20, 2018**

(54) **TENNIS UMPIRE CHAIR**
(71) Applicant: **American Shade Design & Renovation, LLC**, Tulsa, OK (US)
(72) Inventors: **Brandon Lee Riggs**, Tulsa, OK (US); **Michael E. Riggs**, Tulsa, OK (US)
(73) Assignee: **American Shade Design & Renovation, LLC**, Tulsa, OK (US)

D560,001 S * 1/2008 Moss D25/68
D563,685 S * 3/2008 Adams D6/350
7,487,859 B2 * 2/2009 Wang B62B 1/12
182/20
D705,556 S * 5/2014 Udagawa D6/349
D707,853 S * 6/2014 Lafontaine D25/64
D736,869 S * 8/2015 Harker D21/686
9,410,373 B2 * 8/2016 Randolph E06C 7/006
2003/0079942 A1 * 5/2003 Pettit E04H 4/144
182/115
2013/0048427 A1 * 2/2013 Sordo E06C 7/46
182/110

(**) Term: **15 Years**

(21) Appl. No.: **29/572,991**

(22) Filed: **Aug. 2, 2016**

(51) **LOC (11) Cl.** **06-06**

(52) **U.S. Cl.**
USPC **D6/717**

(58) **Field of Classification Search**
USPC D6/334, 349–355, 358, 360–368,
D6/371–374, 403, 405, 406.3, 601, 604,
D6/657, 675.4, 685, 688.17, 690,
D6/691–691.9, 692–692.6, 693–693.3,
D6/695, 707.2, 708, 708.2,
D6/708.15–708.25, 709.11, 716–716.3;
D25/62–65; D21/799.1, 839
CPC A47C 9/02; A47C 9/007; A47C 9/027;
A47C 7/002; A47C 7/18; A47C 16/02;
A47C 16/04; A47C 3/18; A47C 3/203;
A47C 12/00; A47C 13/00; A47B 7/00;
A47B 7/02; A47B 9/00; A47B 13/02;
A47B 23/00; A47B 39/00

See application file for complete search history.

(56) **References Cited**

U.S. PATENT DOCUMENTS

D145,938 S * 11/1946 Guild 297/461
D270,590 S * 9/1983 Berlic D25/65
D306,379 S * 3/1990 Kobasic D25/62
D506,858 S * 6/2005 Kuehl D25/64
D525,369 S * 7/2006 Houze D25/64

OTHER PUBLICATIONS

Pro Classic Umpire Chair. [online] Published on Jan. 1, 2017. Retrieved Aug. 14, 2017 from URL: <https://active-sports.com/Pro-Classic-Umpire-Chair.php>.*

Tennis Umpires Chair. [online] Retrieved Aug. 14, 2017 from URL: <https://www.networldsports.com/tennis-equipment/umpires-chairs-and-benches/tennis-umpires-chair.html>.*

* cited by examiner

Primary Examiner — Vy N Koenig
(74) *Attorney, Agent, or Firm* — Crowe & Dunlevy, P.C.

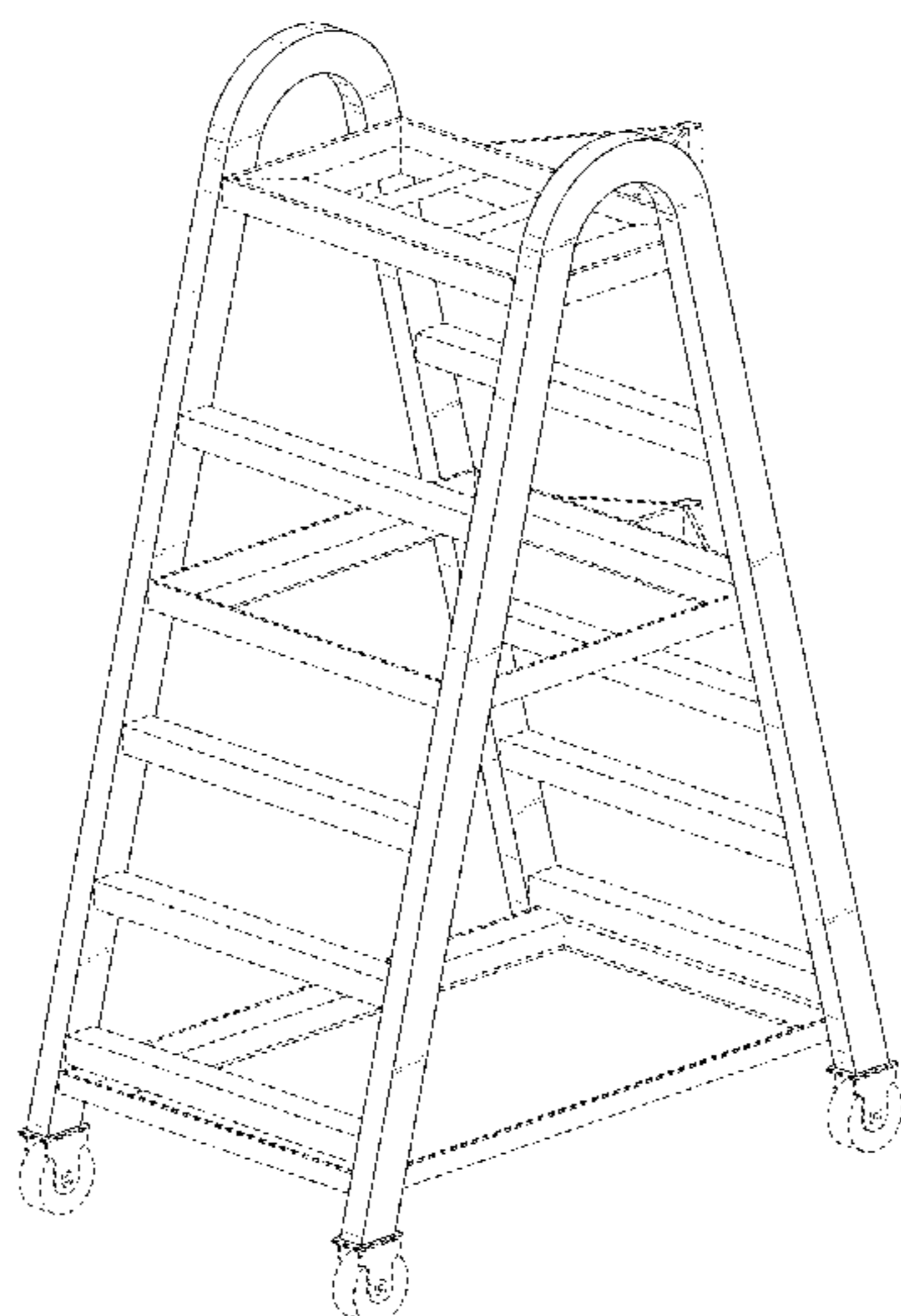
(57) **CLAIM**

The ornamental design for a tennis umpire chair, as shown and described.

DESCRIPTION

FIG. 1 is a perspective view of a tennis umpire chair showing the design;
FIG. 2 is a front elevational view thereof;
FIG. 3 is a rear elevational view thereof;
FIG. 4 is a right side elevational view thereof;
FIG. 5 is left side elevational view thereof;
FIG. 6 is a top plan view thereof; and,
FIG. 7 is a bottom plan view thereof.
The broken lines in the drawings depict portions of the tennis umpire chair that forms no part of the claimed design.

1 Claim, 7 Drawing Sheets



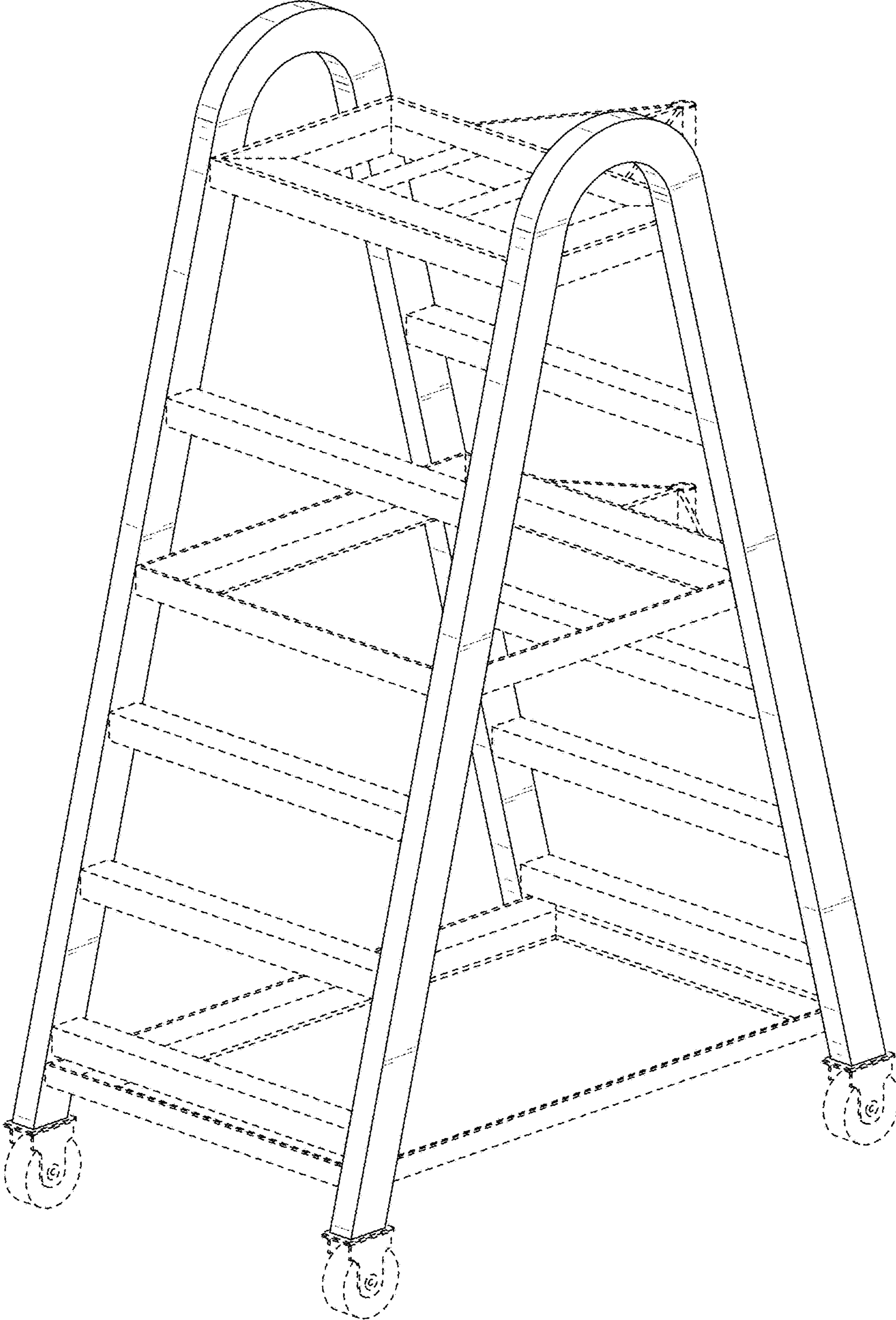


FIG. 1

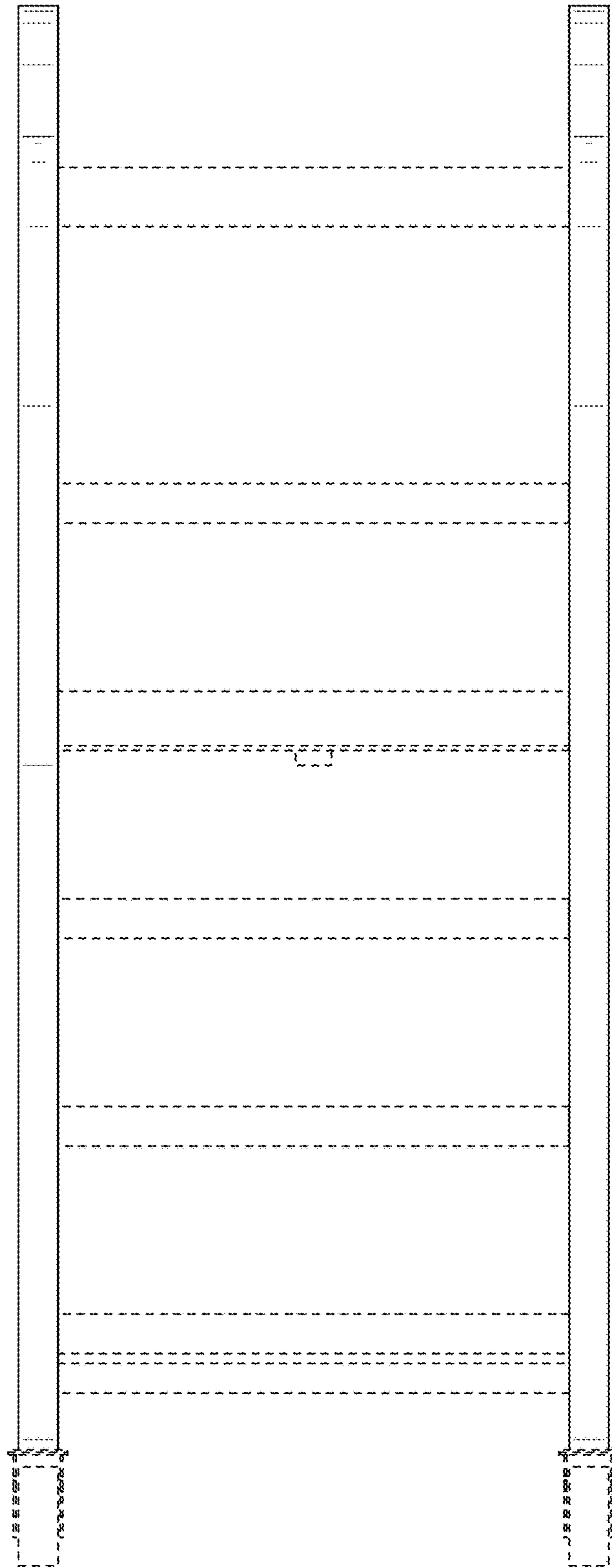


FIG. 2

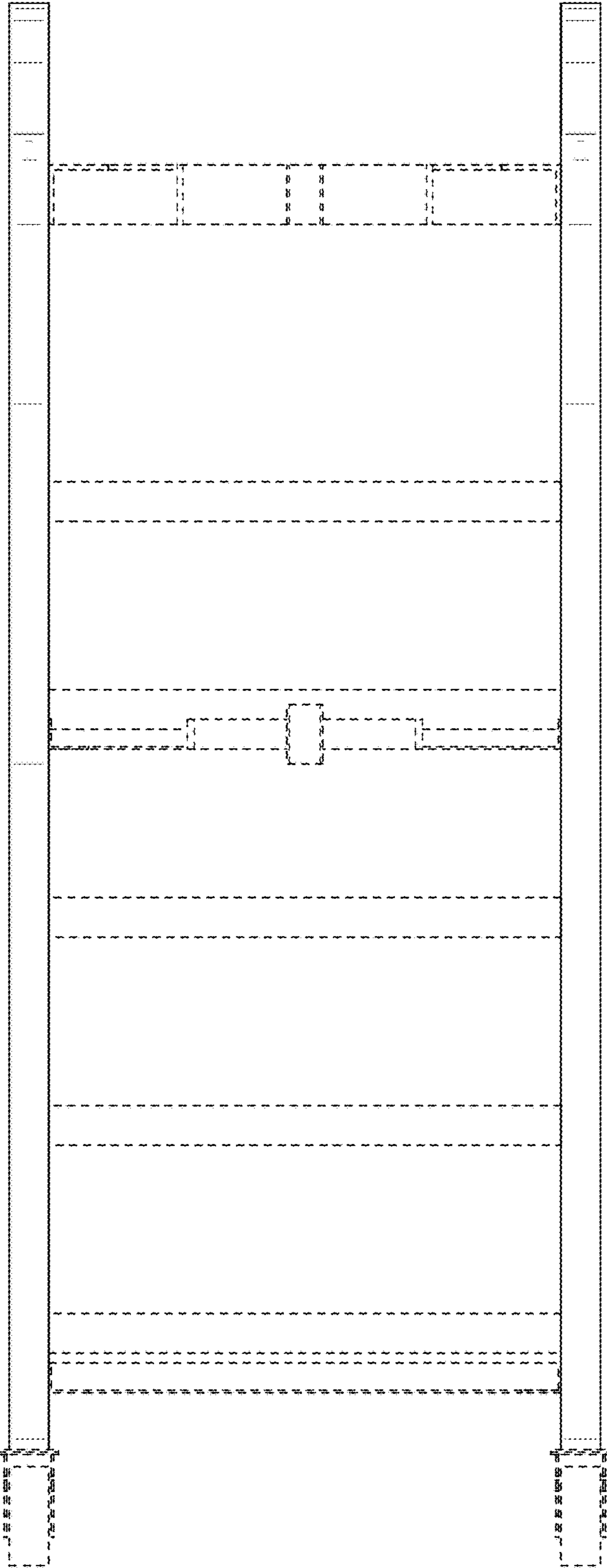


FIG. 3

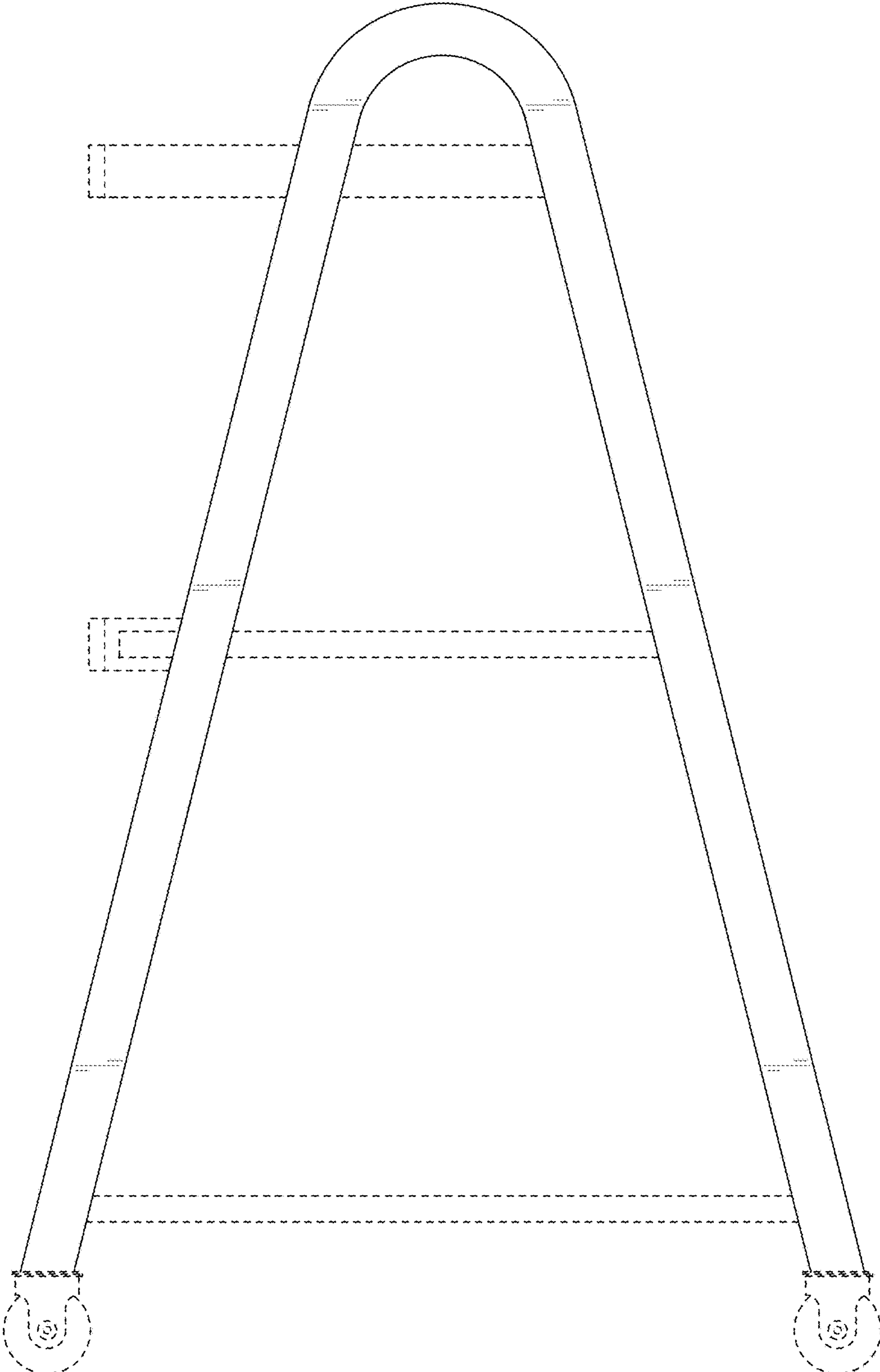


FIG. 4

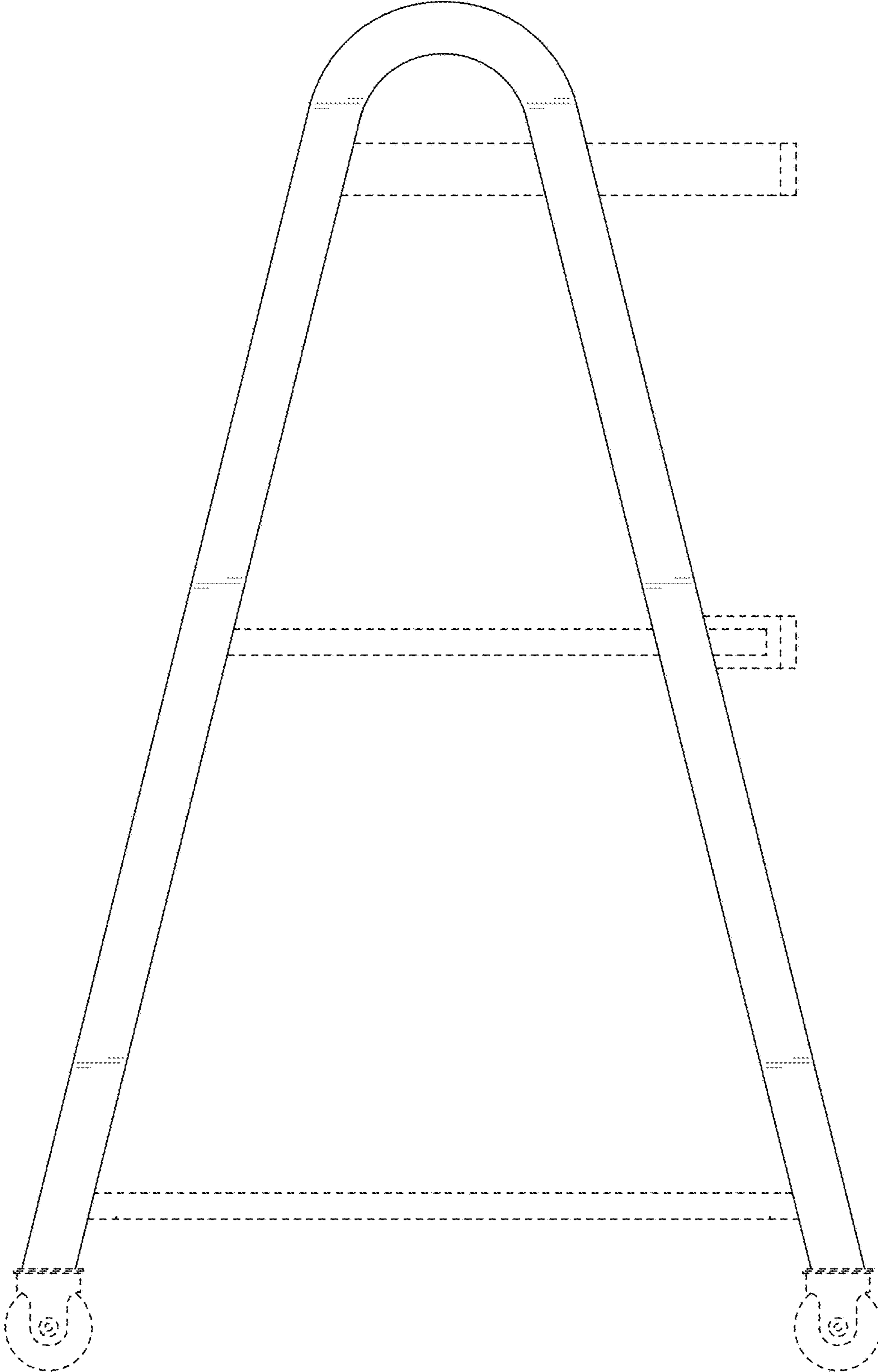


FIG. 5

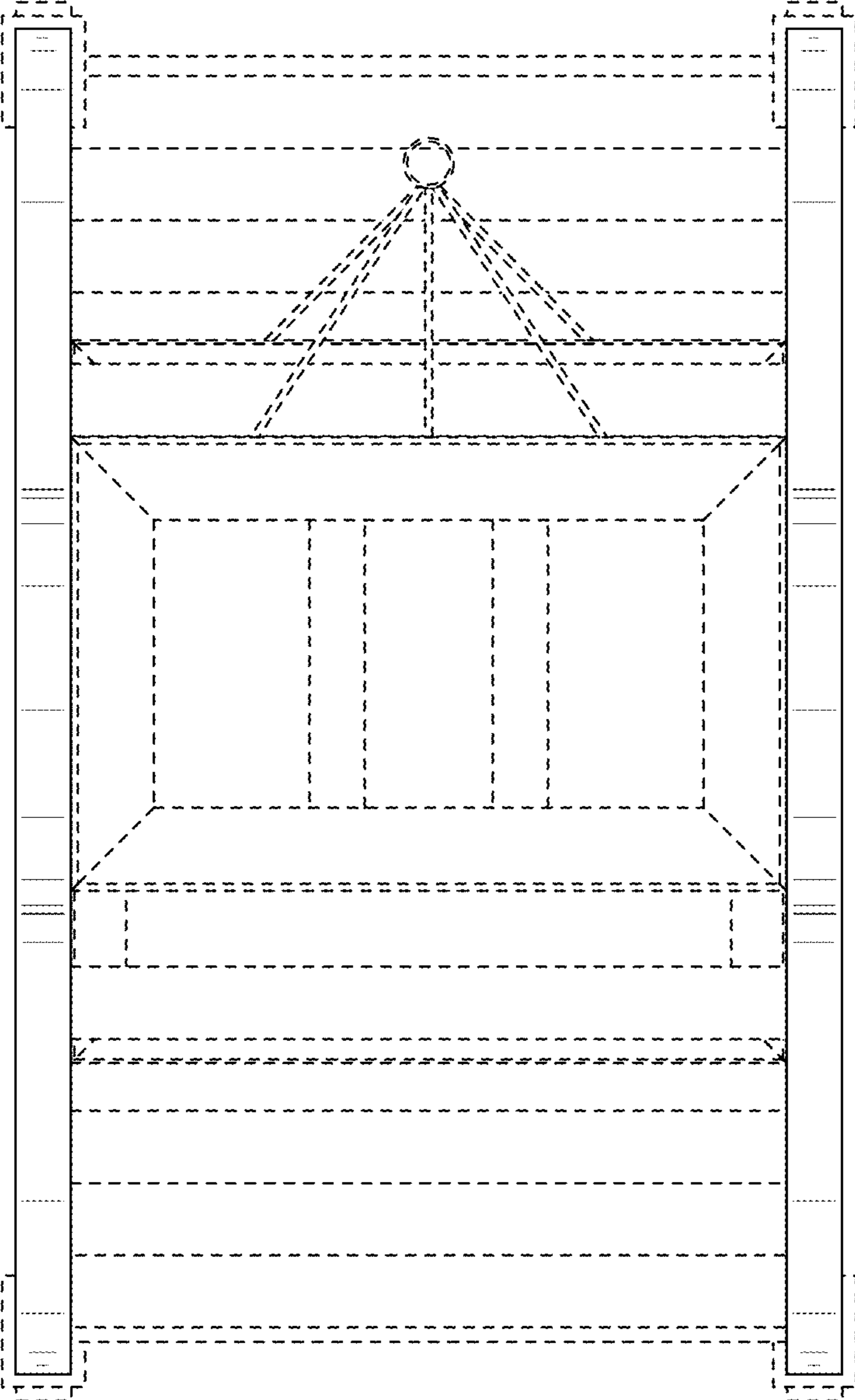


FIG. 6

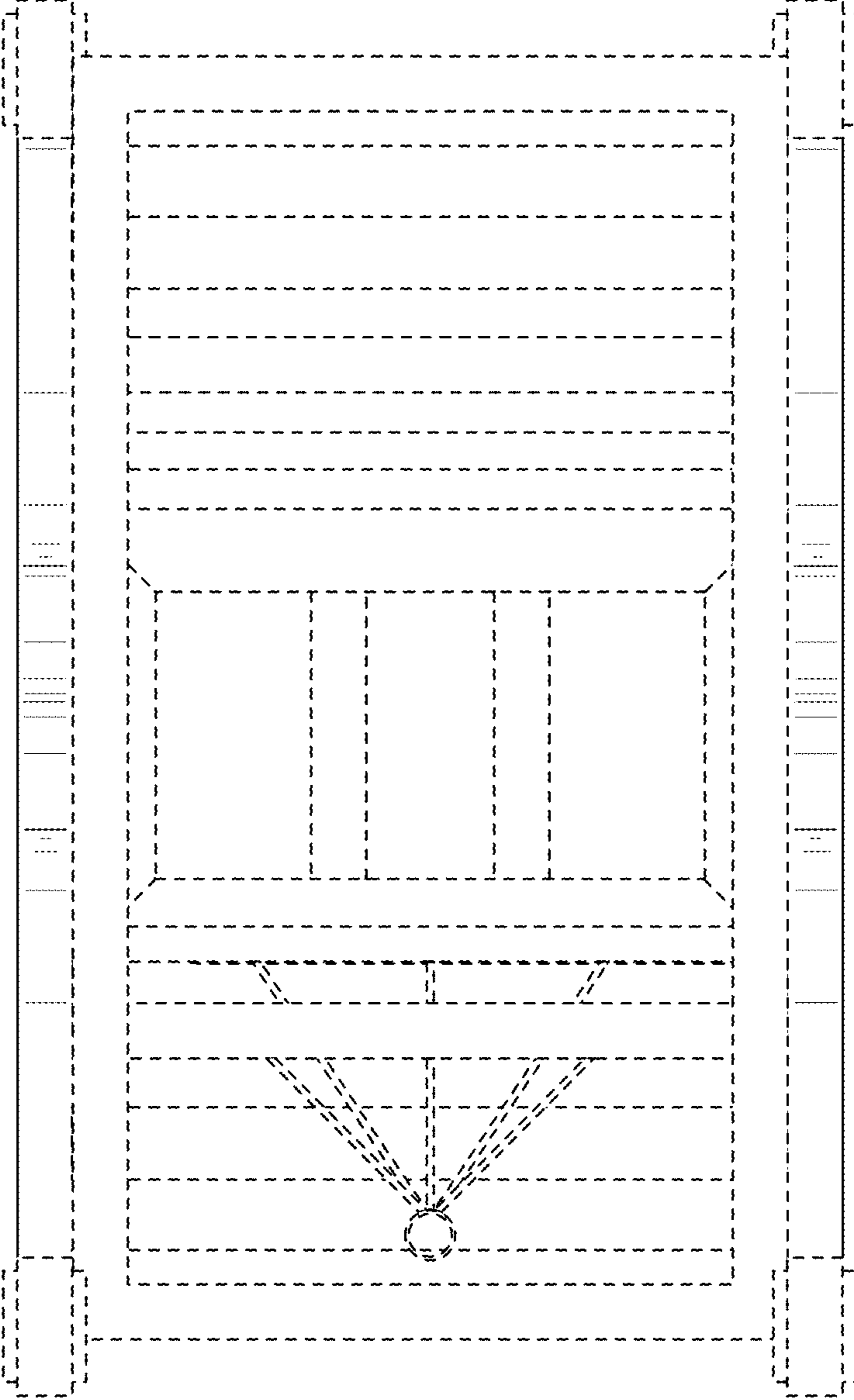


FIG. 7