



US00D810482S

(12) **United States Design Patent**
Modlin

(10) **Patent No.:** **US D810,482 S**

(45) **Date of Patent:** **** Feb. 20, 2018**

(54) **TABLE**

(71) Applicant: **MMMG, LLC**, Culver City, CA (US)

(72) Inventor: **Andrew Modlin**, West Hollywood, CA (US)

(73) Assignee: **MMMG, LLC**, Culver City, CA (US)

(**) Term: **15 Years**

(21) Appl. No.: **29/574,661**

(22) Filed: **Aug. 17, 2016**

(51) **LOC (11) Cl.** **06-03**

(52) **U.S. Cl.**
USPC **D6/691**

(58) **Field of Classification Search**
USPC D6/349, 641, 656, 671, 675, 677, 685,
D6/687, 690, 691, 691.1, 691.2, 691.3,
D6/691.4, 691.5, 691.9, 693, 695, 695.2,
D6/696, 696.1, 697, 697.1, 698, 699,
D6/699.2, 703, 707, 708, 709, 709.2,
D6/709.21

CPC A47B 7/00; A47B 13/08; A47B 13/10;
A47B 21/00; A47B 2009/006; A47B
11/00; A47B 2200/002

See application file for complete search history.

(56) **References Cited**

U.S. PATENT DOCUMENTS

D240,988 S *	8/1976	Gestranius	D6/699
D248,345 S *	7/1978	Stoddard	D6/353
D328,677 S *	8/1992	White	D6/688.19
D406,964 S *	3/1999	Lewis	D6/349
D427,814 S *	7/2000	Black	D6/690

D466,337 S *	12/2002	Feng	D6/689
D549,492 S *	8/2007	Sheppard	D6/691.8
D591,090 S *	4/2009	Judkins	D6/691.8
D693,610 S *	11/2013	Denby	D6/675
D694,558 S *	12/2013	Denby	D6/675.1
D728,281 S *	5/2015	Heirakuji	D6/675
D734,964 S *	7/2015	Ward	D6/656.1
D753,419 S *	4/2016	Heirakuji	D6/675
D771,396 S *	11/2016	Mandon	D6/349
D774,807 S *	12/2016	Biddle	D6/691
D781,086 S *	3/2017	Velez	D6/656
D783,324 S *	4/2017	Akana	D6/691.1
D785,985 S *	5/2017	Burden	D6/691
D788,506 S *	6/2017	Choi	D6/705.7
D792,135 S *	7/2017	Wyman	D6/691.1
D797,479 S *	9/2017	Manea	D6/691

* cited by examiner

Primary Examiner — Mary Ann Calabrese

Assistant Examiner — Sloan Rozin

(74) *Attorney, Agent, or Firm* — Kevin Schraven; Anooj Patel; Hankin Patent Law, APC

(57) **CLAIM**

The ornamental design for a table, as shown and described.

DESCRIPTION

FIG. 1 is a top perspective view of a table, showing my new design.

FIG. 2 is a bottom perspective view thereof.

FIG. 3 is a right side elevational view thereof.

FIG. 4 is a left side elevational view thereof.

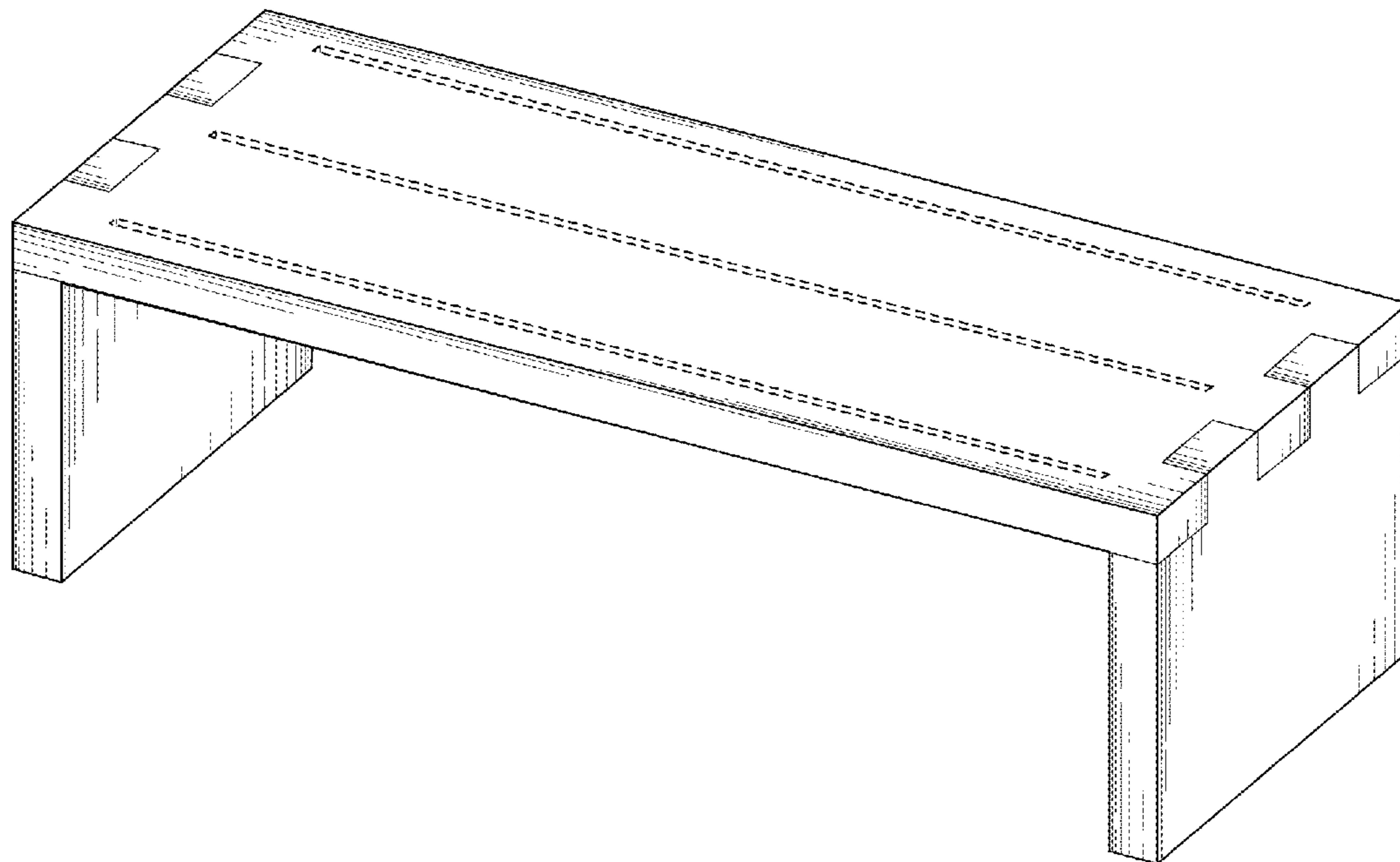
FIG. 5 is a front elevational view thereof.

FIG. 6 is a rear elevational view thereof.

FIG. 7 is a top plan view thereof; and,

FIG. 8 is a bottom plan view thereof.

1 Claim, 8 Drawing Sheets



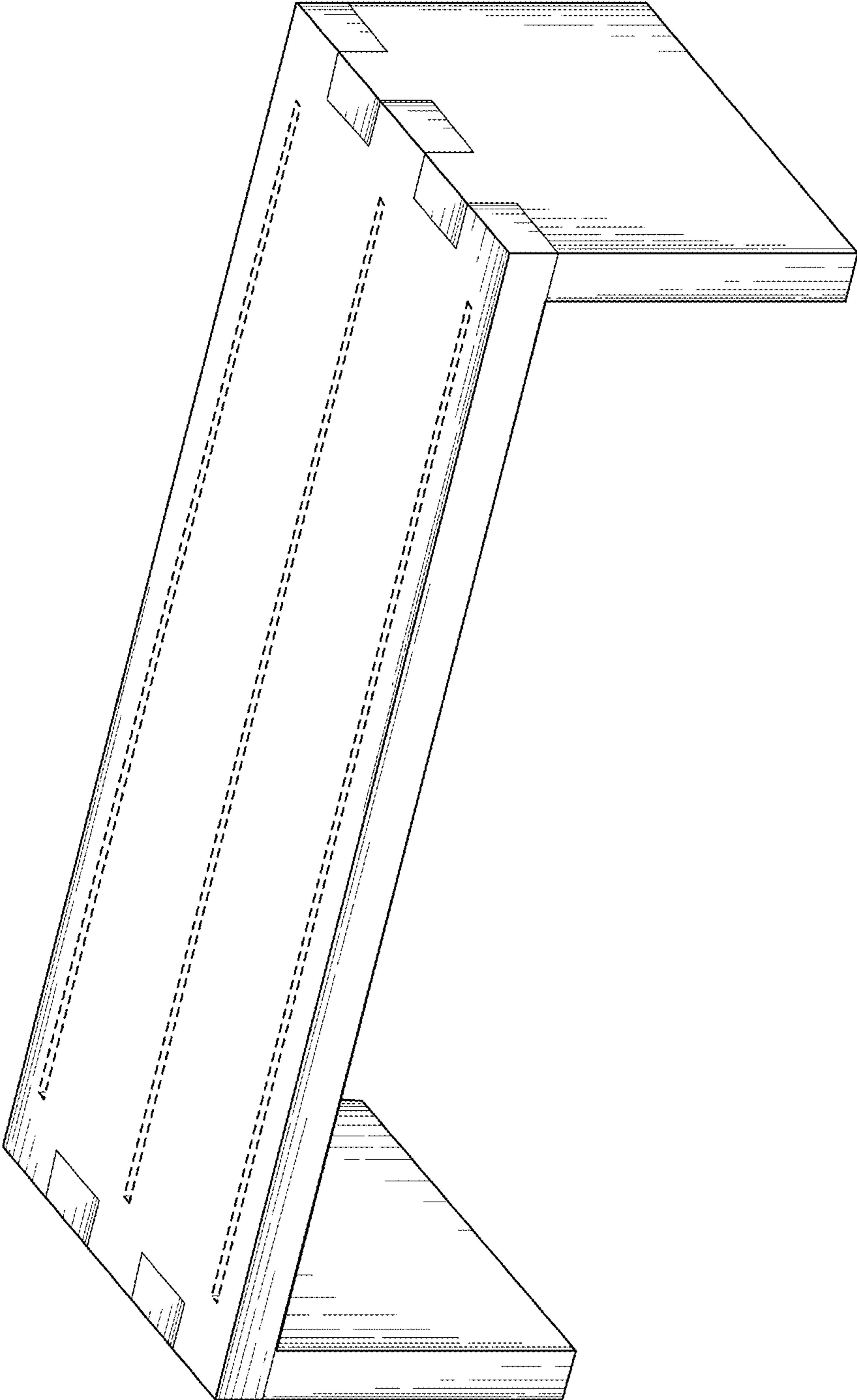


Fig. 1

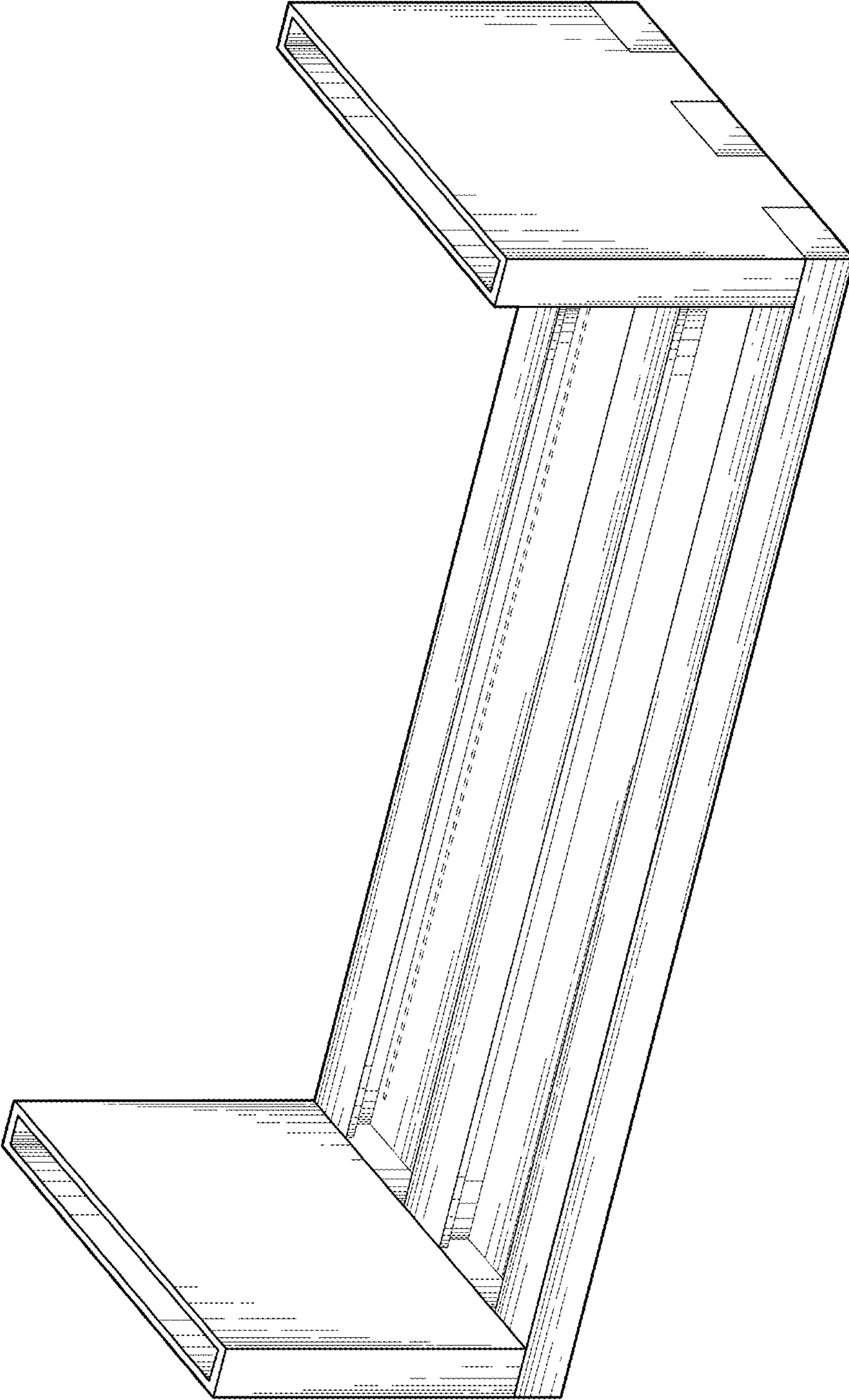


Fig. 2

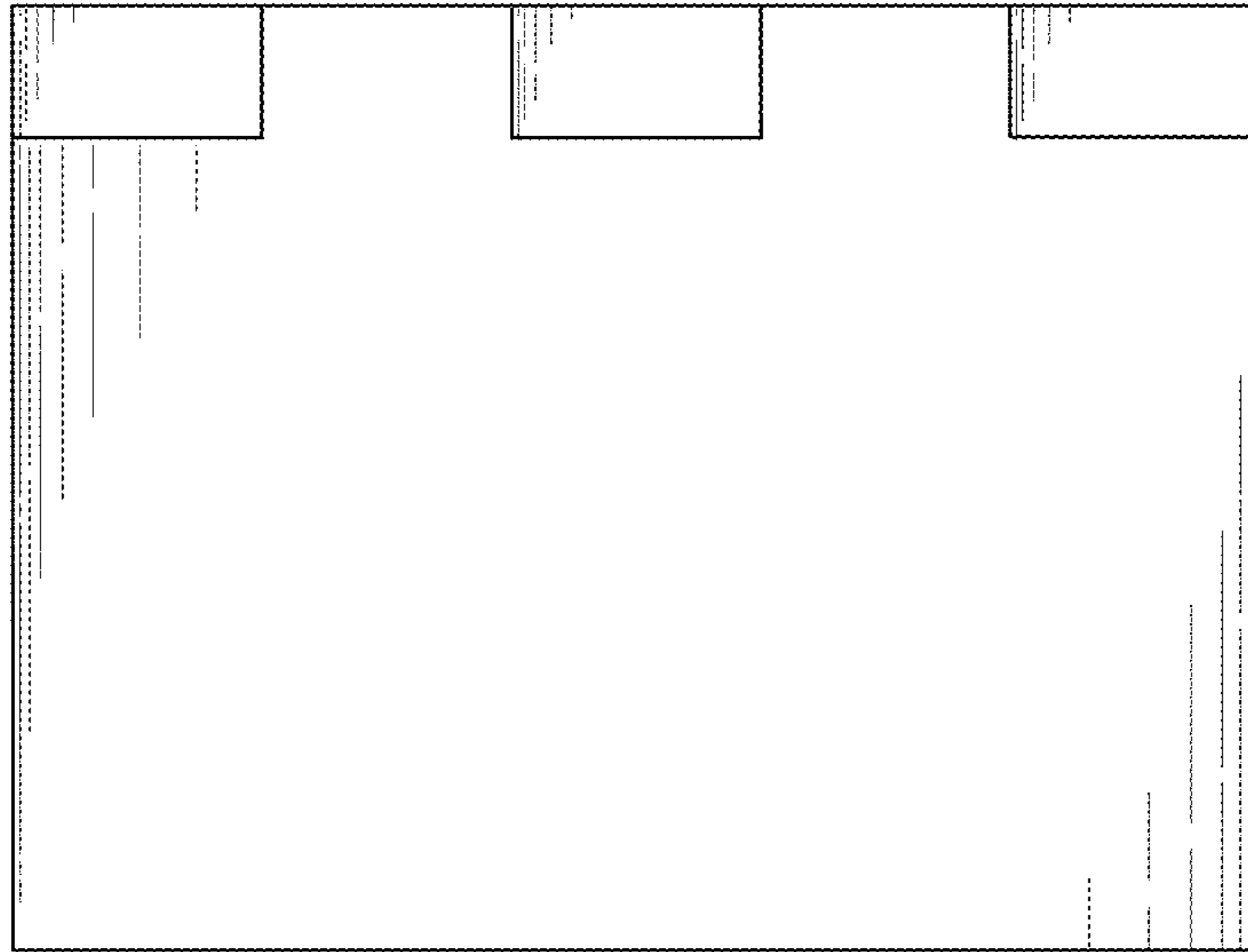


Fig.3

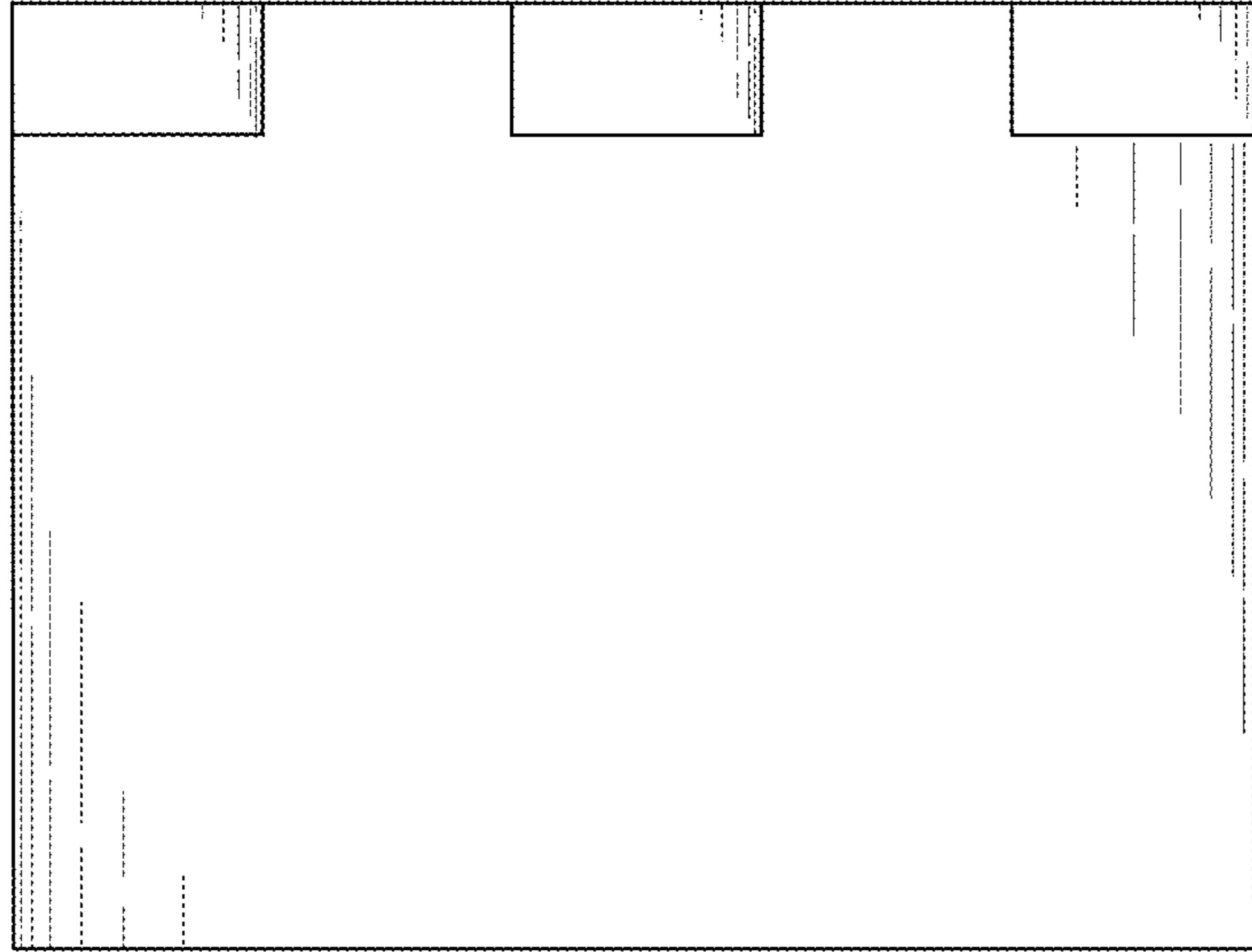


Fig.4

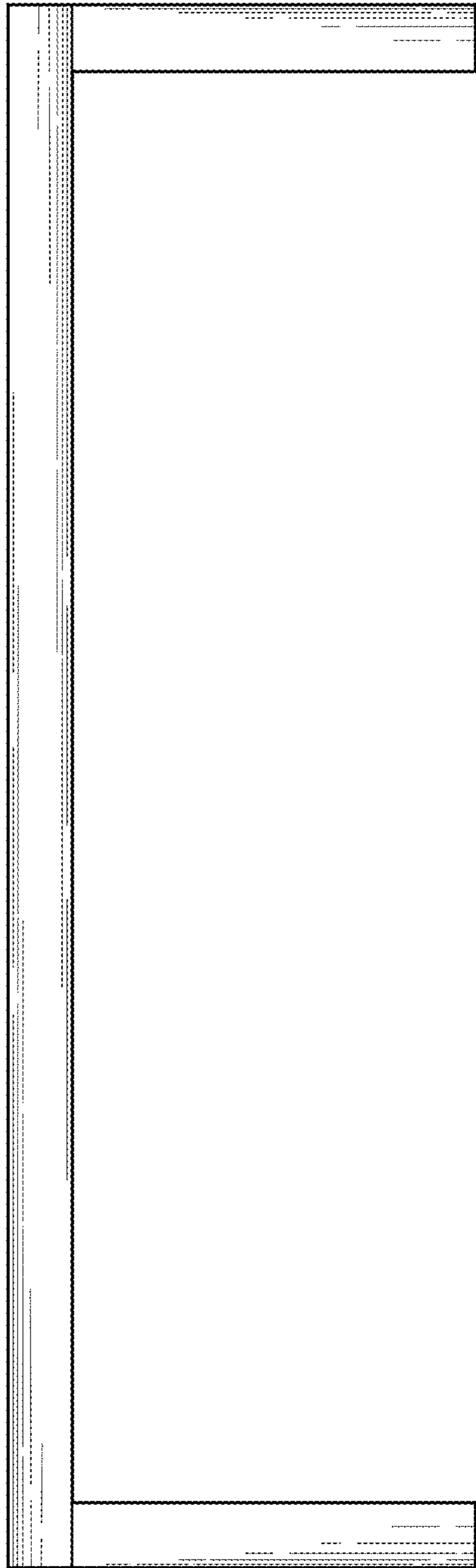


Fig. 5

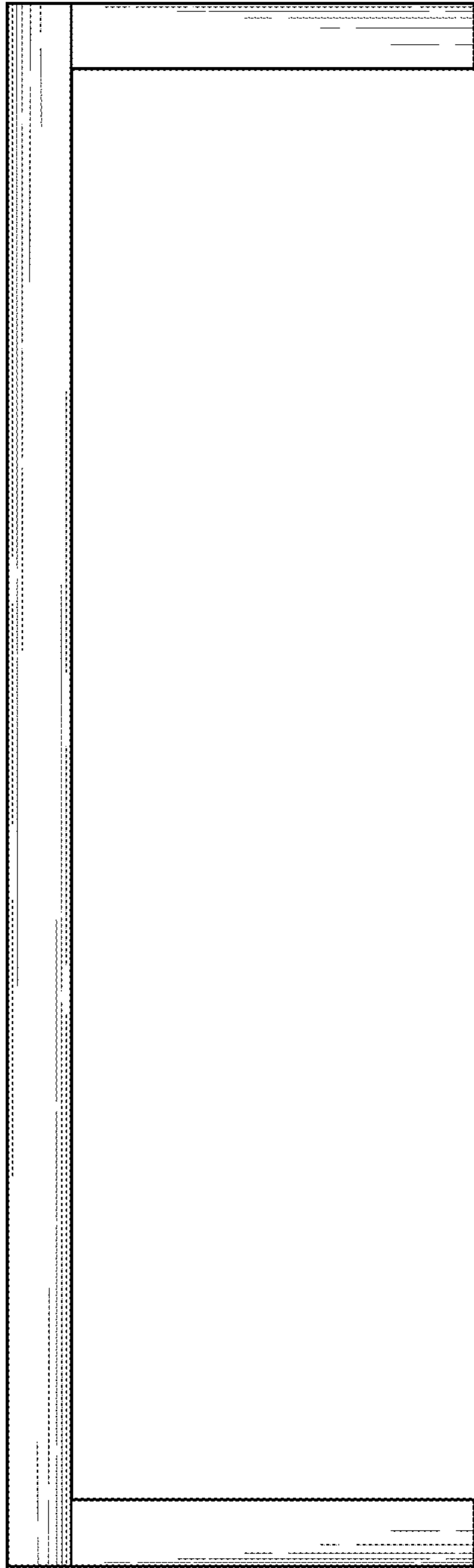


Fig.6

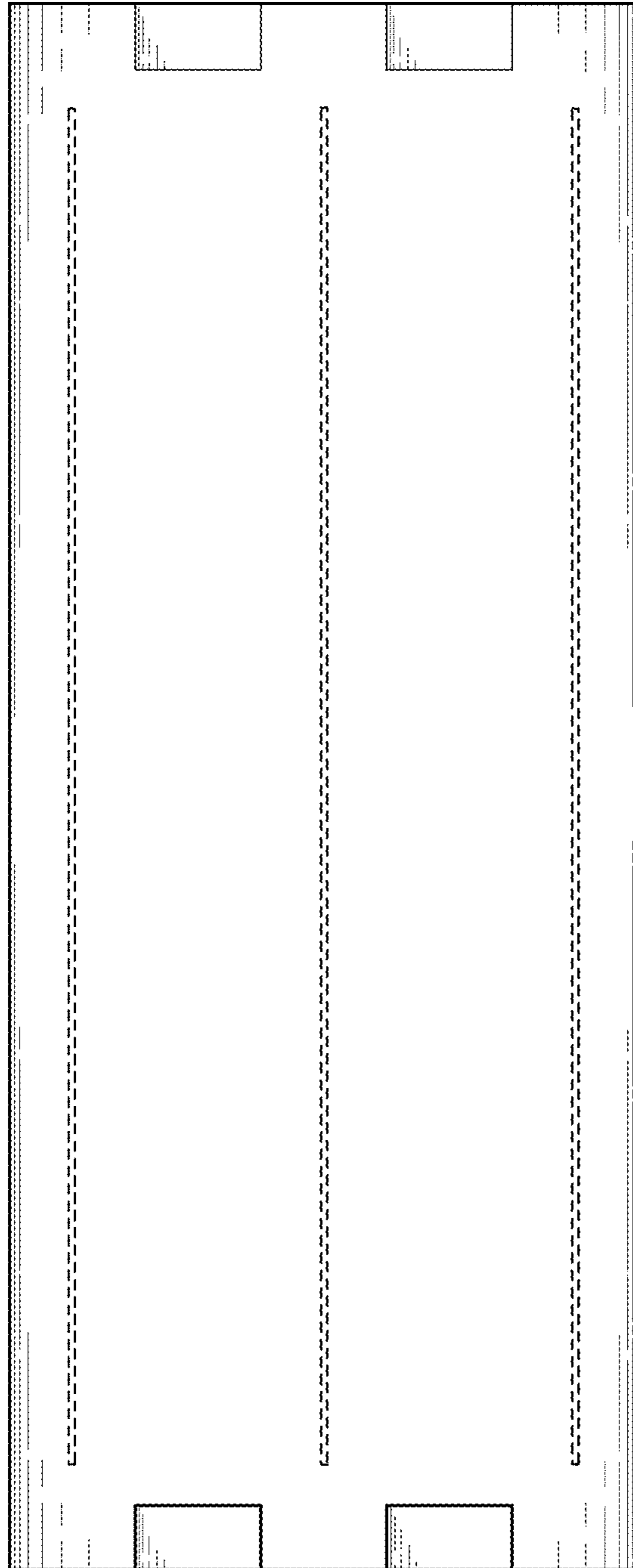


Fig.7

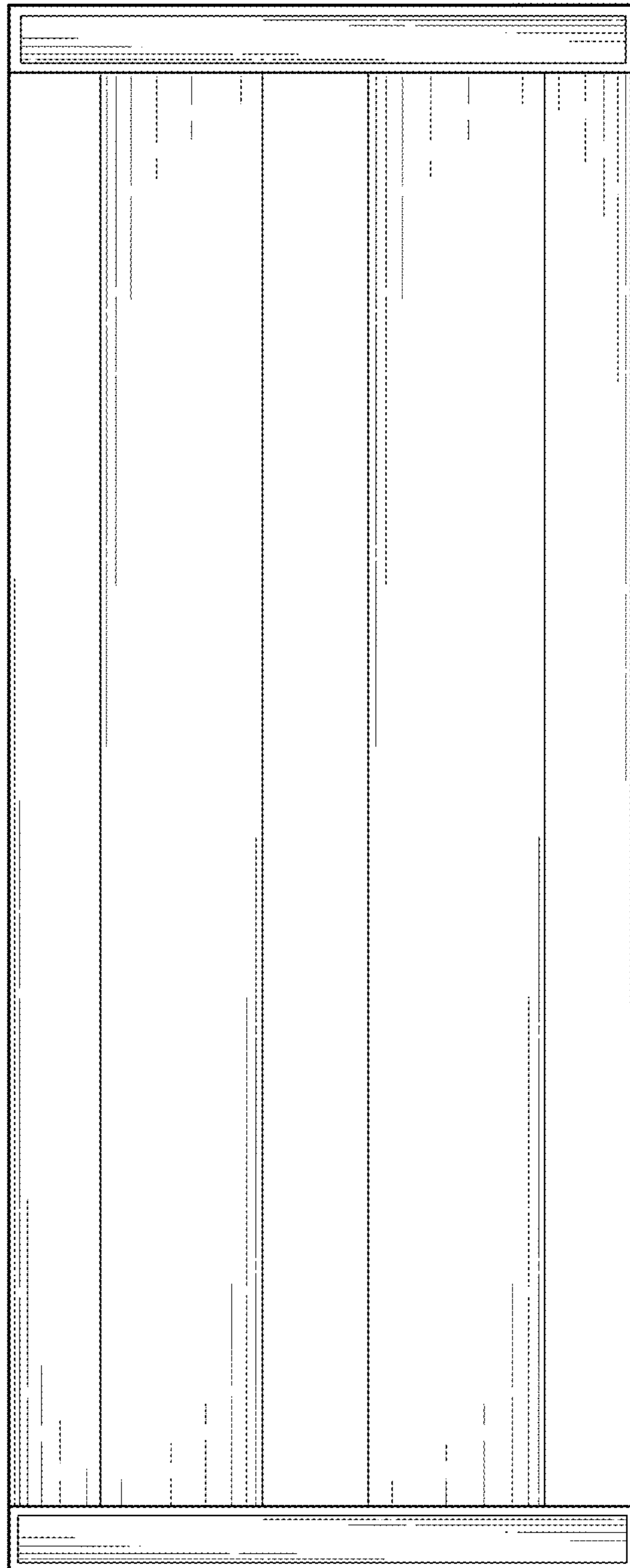


Fig. 8