



US00D810481S

(12) **United States Design Patent** (10) **Patent No.:** **US D810,481 S**
Woodward et al. (45) **Date of Patent:** **** Feb. 20, 2018**

- (54) **SPORTS THEMED TABLE**
- (71) Applicants: **Robert Woodward**, Oregon City, OR (US); **Denise Woodward**, Oregon City, OR (US)
- (72) Inventors: **Robert Woodward**, Oregon City, OR (US); **Denise Woodward**, Oregon City, OR (US)
- (**) Term: **15 Years**
- (21) Appl. No.: **29/578,501**
- (22) Filed: **Sep. 22, 2016**
- (51) **LOC (11) Cl.** **06-06**
- (52) **U.S. Cl.**
USPC **D6/688.1**
- (58) **Field of Classification Search**
USPC D6/349, 641, 656, 671, 675, 677, 685, D6/687, 688.1, 690, 691, 691.1, 691.2, D6/691.3, 691.4, 691.5, 691.9, 693, 695, D6/695.2, 696, 696.1, 697, 697.1, 698, D6/699, 699.2, 703, 707, 708, 709, 709.2, D6/709.21
CPC A47B 7/00; A47B 13/08; A47B 13/10; A47B 21/00; A47B 2009/006; A47B 11/00; A47B 2200/002
See application file for complete search history.

- D470,349 S * 2/2003 Risdall D6/709
- D510,492 S * 10/2005 Sakurai D6/709
- D512,251 S * 12/2005 Sakurai D6/708
- D558,490 S * 1/2008 Christensen D6/691.5
- D588,380 S * 3/2009 Bucholz D6/691.5
- D596,877 S * 7/2009 Oshinomi D6/691.5
- D608,568 S * 1/2010 Manz D6/691.5
- D620,286 S * 7/2010 Carmon D6/691
- D642,825 S * 8/2011 Hayek D6/688.1
- D686,438 S * 7/2013 Denby D6/687
- D702,976 S * 4/2014 Mark D6/708
- D704,973 S * 5/2014 Denby D6/708
- D724,366 S * 3/2015 Gerard D6/709
- D757,471 S * 5/2016 Domingo D6/691
- D758,113 S * 6/2016 Domingo D6/691
- D795,616 S * 8/2017 Muller D6/695
- D797,479 S * 9/2017 Manea D6/691
- D797,484 S * 9/2017 Hannoosh D6/709

* cited by examiner

Primary Examiner — Mary Ann Calabrese
Assistant Examiner — Sloan Rozin
(74) *Attorney, Agent, or Firm* — Jerry D. Haynes; Law Office of Jerry D Haynes. P.A.

(57) **CLAIM**

The ornamental design for a sports themed table, as shown.

DESCRIPTION

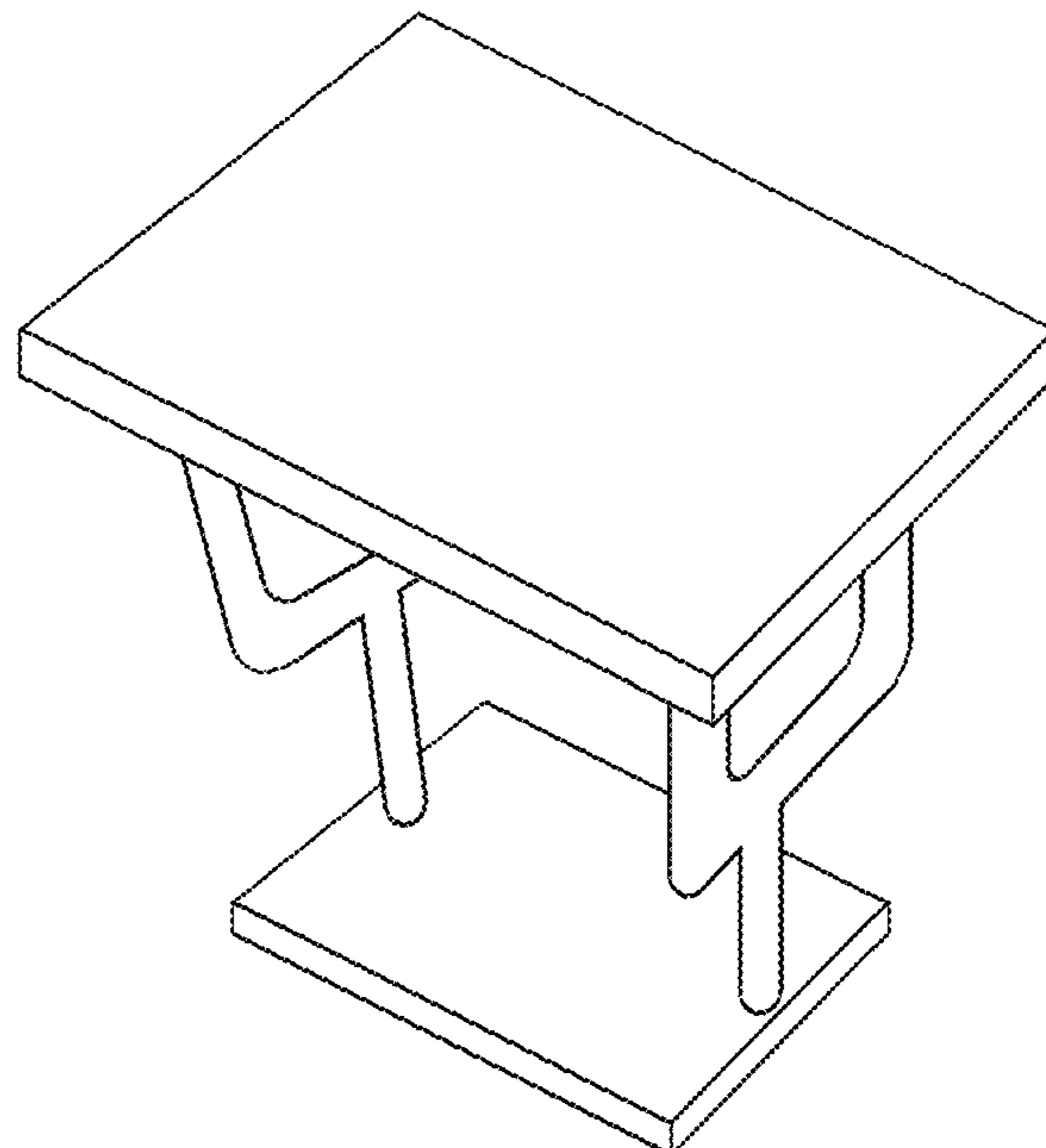
FIG. 1 depicts a perspective view of a sports themed table in accordance with the present invention.
FIG. 2 depicts a first side view of the sports themed table in accordance with the present invention.
FIG. 3 depicts a second side view of the sports themed table in accordance with the present invention; and,
FIG. 4 depicts a third side view of the sports themed table in accordance with the present invention.

1 Claim, 3 Drawing Sheets

(56) **References Cited**

U.S. PATENT DOCUMENTS

- D242,969 S * 1/1977 Carter D6/691.2
- D249,859 S * 10/1978 Schoeller D6/691
- D286,479 S * 11/1986 Marchesini D6/691.5
- D443,443 S * 6/2001 Welke D21/357



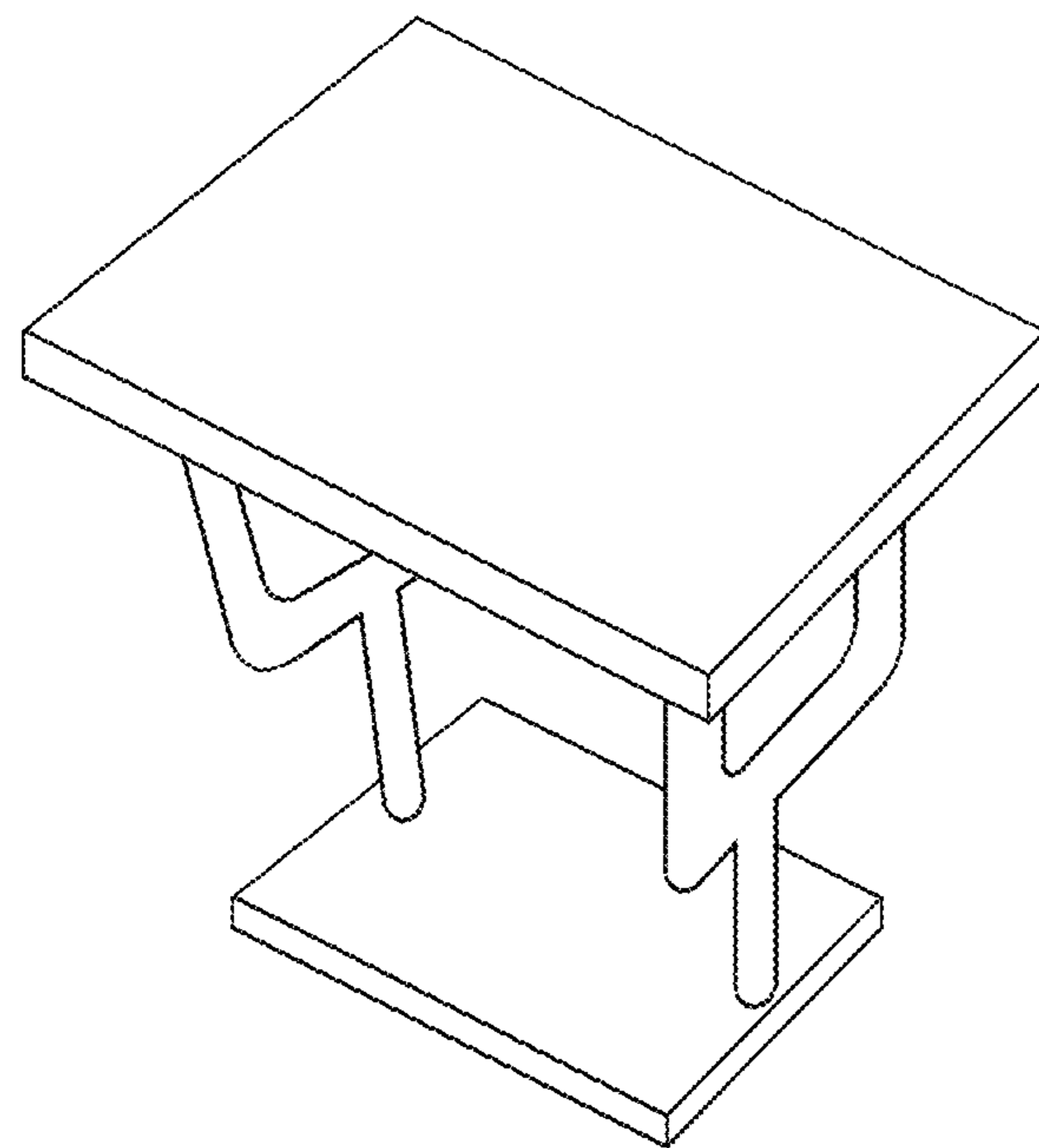


FIG. 1

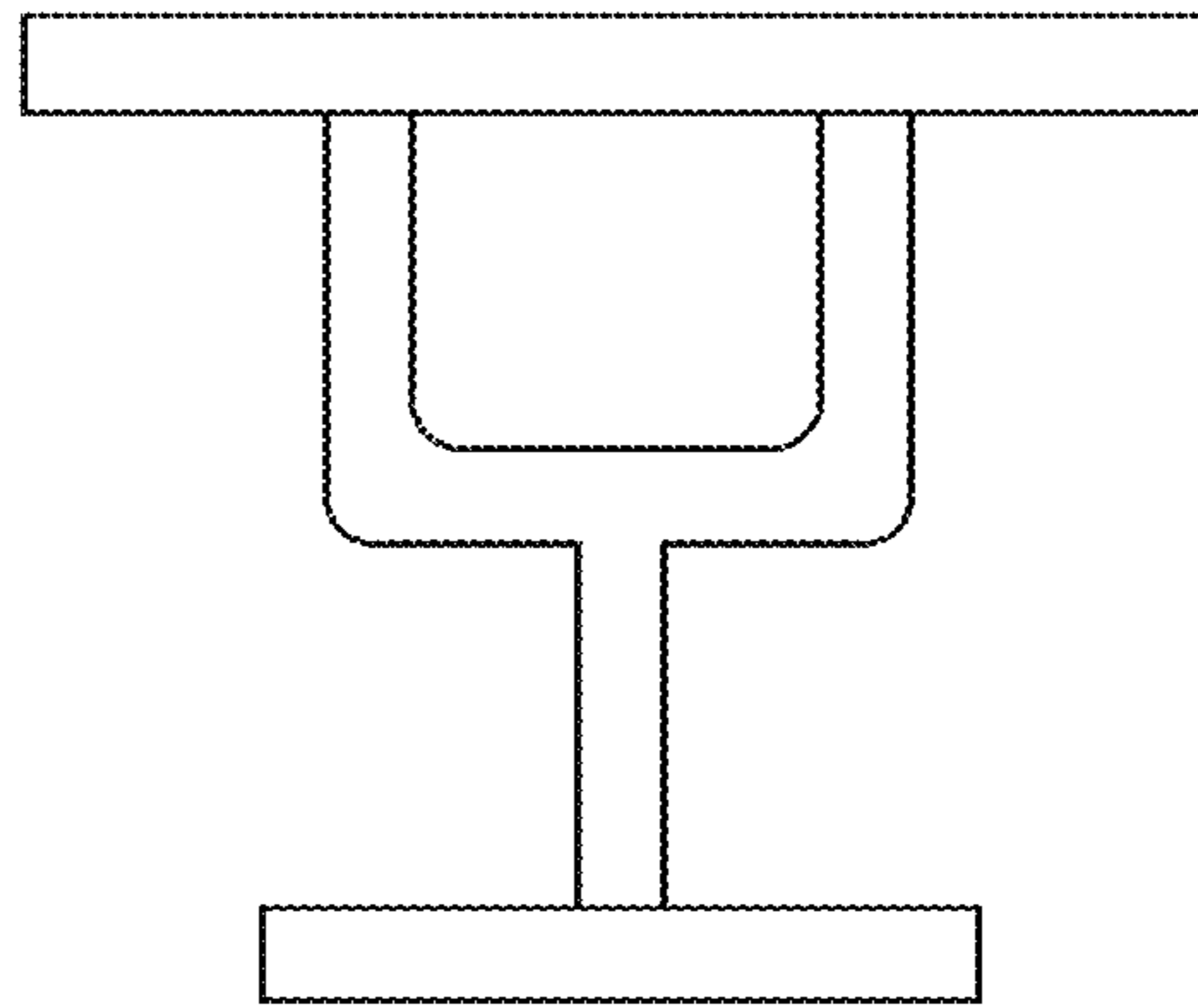


FIG. 2

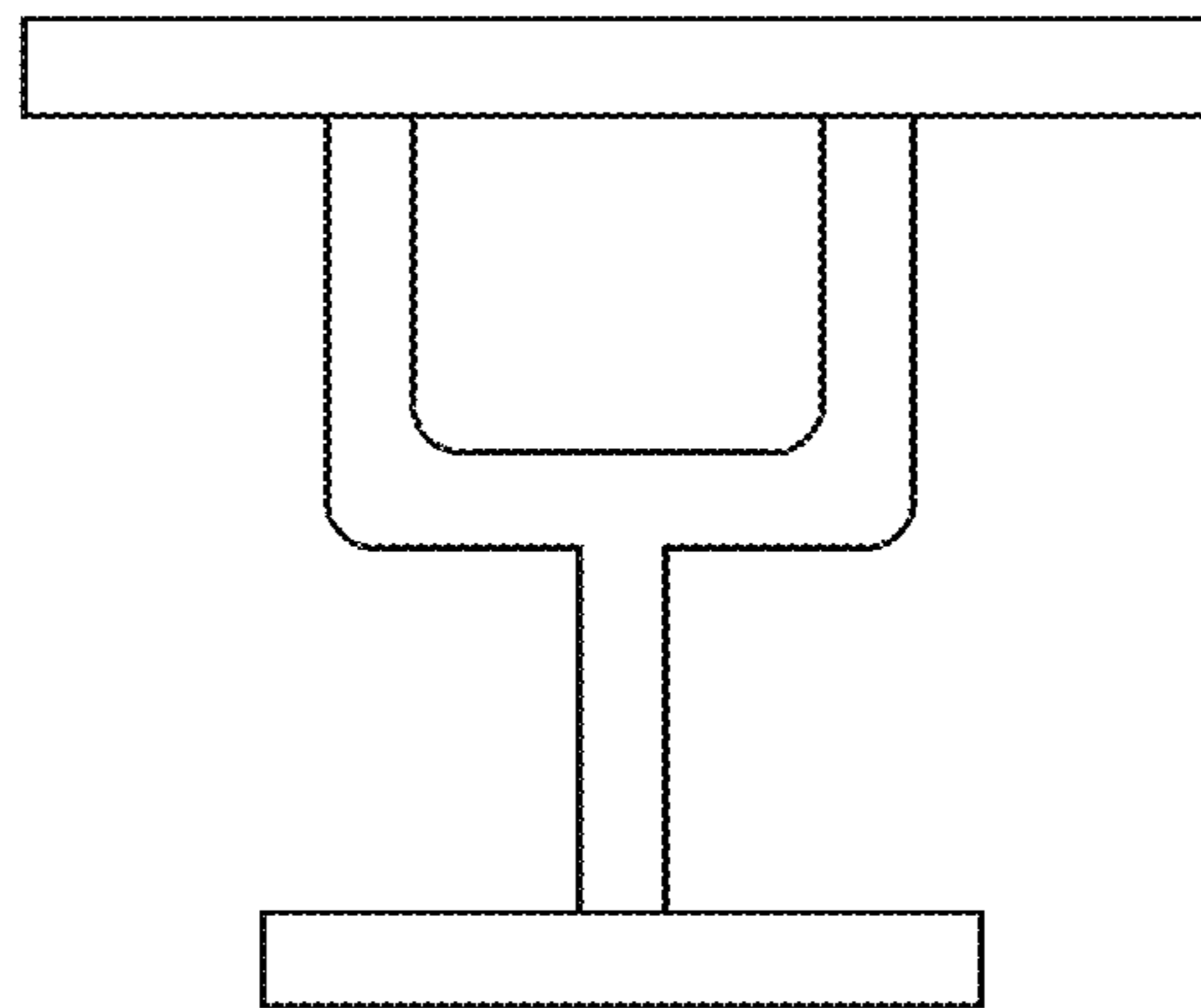


FIG. 3

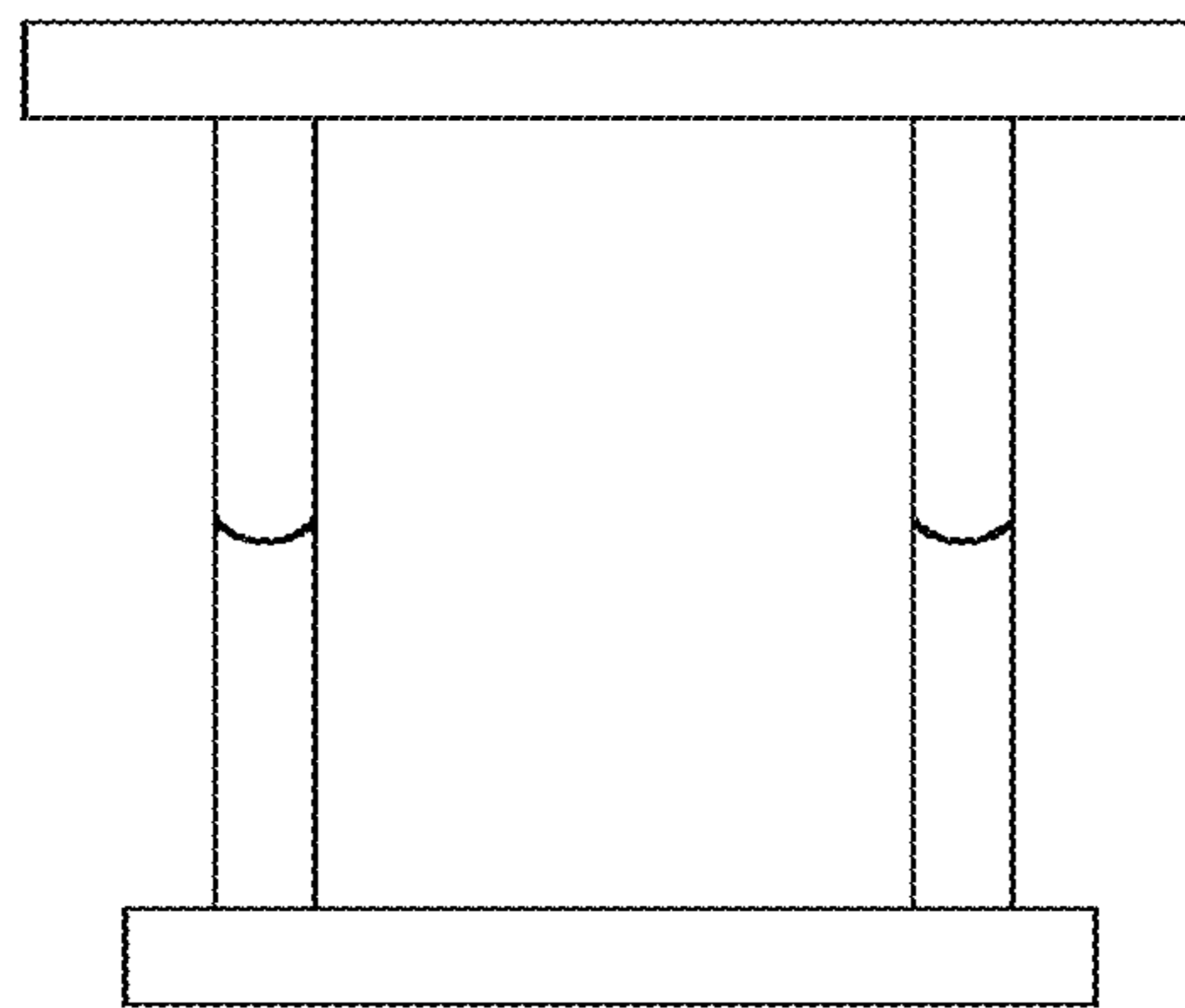


FIG. 4