



US00D810479S

(12) **United States Design Patent** (10) **Patent No.:** **US D810,479 S**  
**Heil et al.** (45) **Date of Patent:** **\*\* Feb. 20, 2018**

- (54) **DEVICE FOR DISPLAYING DECORATIVE ITEMS ON A GRAVE MARKER**
- (71) Applicants: **Charles Christopher Heil**, Norborne, MO (US); **Deborah A. Heil**, Norborne, MO (US); **Charles N. Heil**, Norborne, MO (US)
- (72) Inventors: **Charles Christopher Heil**, Norborne, MO (US); **Deborah A. Heil**, Norborne, MO (US); **Charles N. Heil**, Norborne, MO (US)
- (73) Assignees: **Charles Christopher Heil**, Norborne, MO (US); **Deborah A. Heil**, Norborne, MO (US); **Charles N. Heil**, Norborne, MO (US)

(\*\*) Term: **15 Years**

(21) Appl. No.: **29/575,656**

(22) Filed: **Aug. 26, 2016**

(51) **LOC (11) Cl.** ..... **06-06**

(52) **U.S. Cl.**  
USPC ..... **D6/682.1**; D99/17

(58) **Field of Classification Search**  
USPC ..... D6/672, 673, 675, 682, 682.1, 682.2, D6/682.3, 682.4; D99/1, 8, 15, 17, 19  
CPC ..... A47F 7/00; A47F 7/0021; A47F 7/0028; E04H 13/00; E04H 13/001; E04H 13/008  
See application file for complete search history.

(56) **References Cited**

**U.S. PATENT DOCUMENTS**

- D50,457 S \* 3/1917 Aichele ..... D99/17
- D247,844 S \* 5/1978 Palm, Jr. .... D8/352

- D273,985 S \* 5/1984 Schulstad ..... D24/227
- D289,725 S \* 5/1987 Lemay ..... D6/553
- D359,151 S \* 6/1995 Stewart ..... D99/17
- D365,535 S \* 12/1995 Muckler ..... D11/132
- D381,182 S \* 7/1997 Whited ..... D99/17
- D410,848 S \* 6/1999 Daniels ..... D99/17
- D483,542 S \* 12/2003 Carter, Jr. .... D99/19
- D578,725 S \* 10/2008 Gunter ..... D99/17
- D662,684 S \* 6/2012 Edwards ..... D99/17
- D666,025 S \* 8/2012 Cobbett ..... D6/682.1
- D725,939 S \* 4/2015 Sheehan ..... D6/553

\* cited by examiner

*Primary Examiner* — Kelley Donnelly

(74) *Attorney, Agent, or Firm* — Polsinelli PC

(57) **CLAIM**

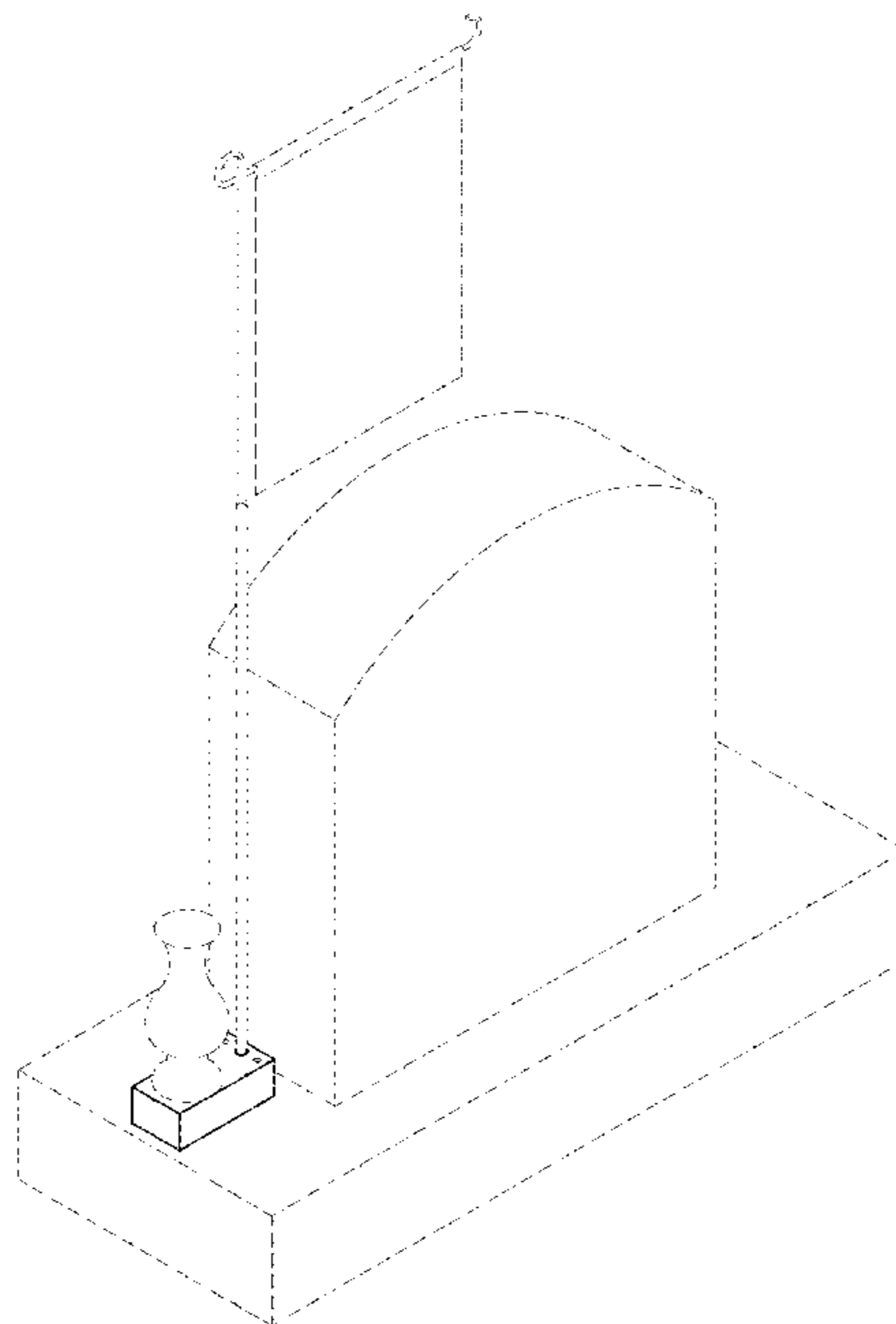
The ornamental design for a device for displaying decorative items on a grave marker, as shown and described.

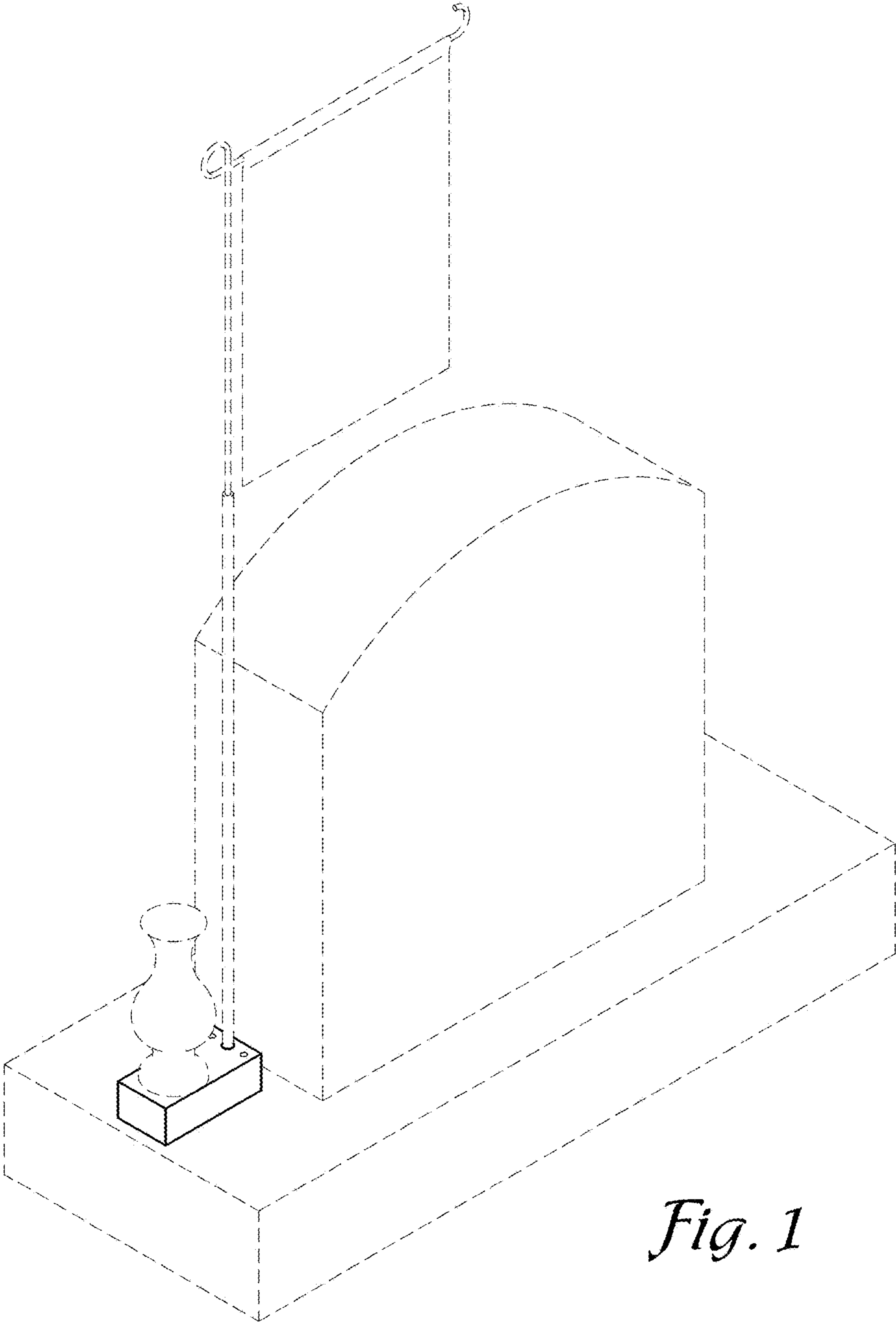
**DESCRIPTION**

FIG. 1 is an environmental view of a device for displaying decorative items on a grave marker showing my new design; FIG. 2 is a perspective view thereof; FIG. 3 is a front elevational view thereof; FIG. 4 is a rear elevational view thereof; FIG. 5 is a left side elevational view thereof; FIG. 6 is a right side elevational view thereof; FIG. 7 is a top plan view thereof; and, FIG. 8 is a bottom plan view thereof.

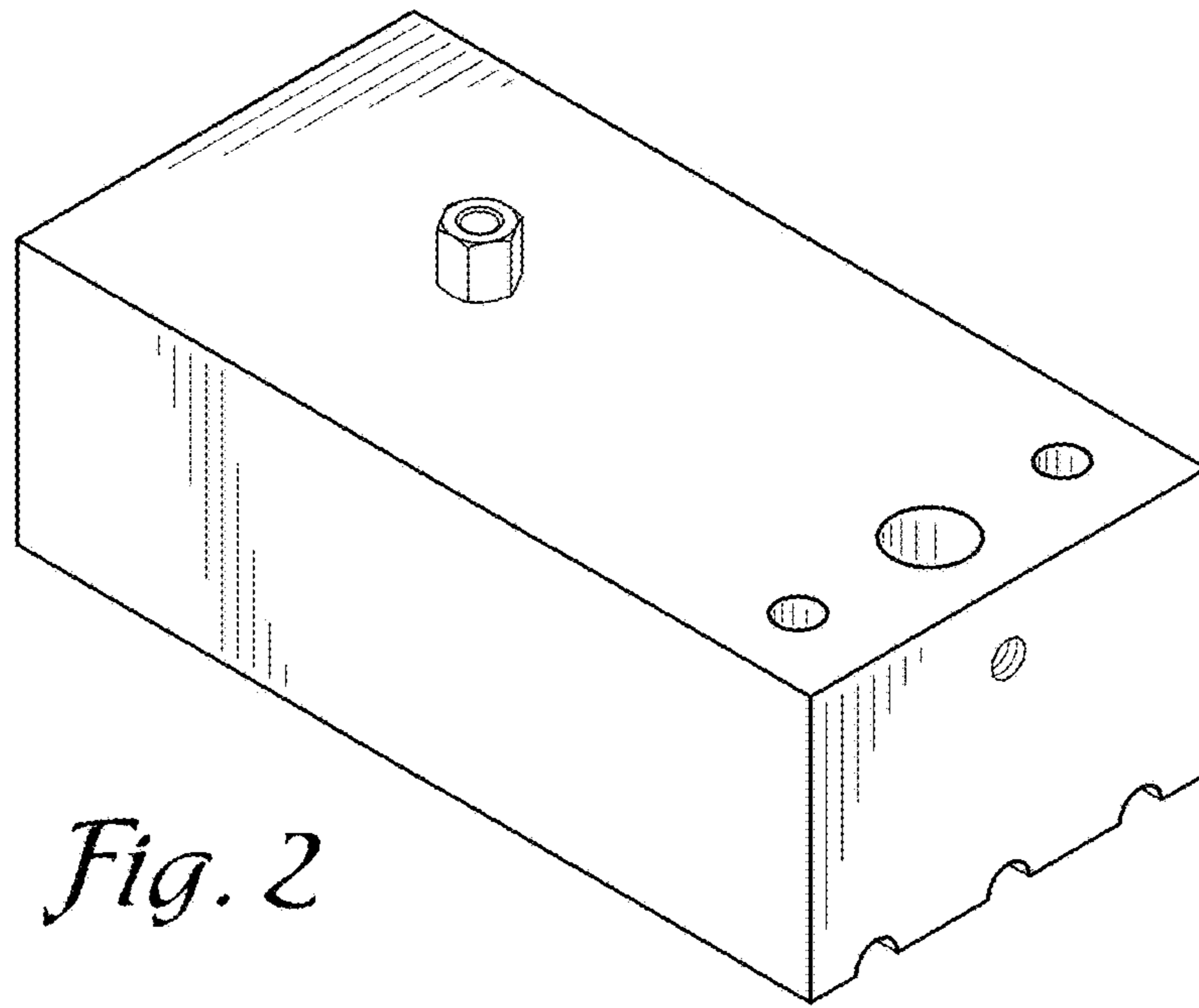
The broken lines in the figures depict environmental subject matter and form no part of the claimed design.

**1 Claim, 3 Drawing Sheets**

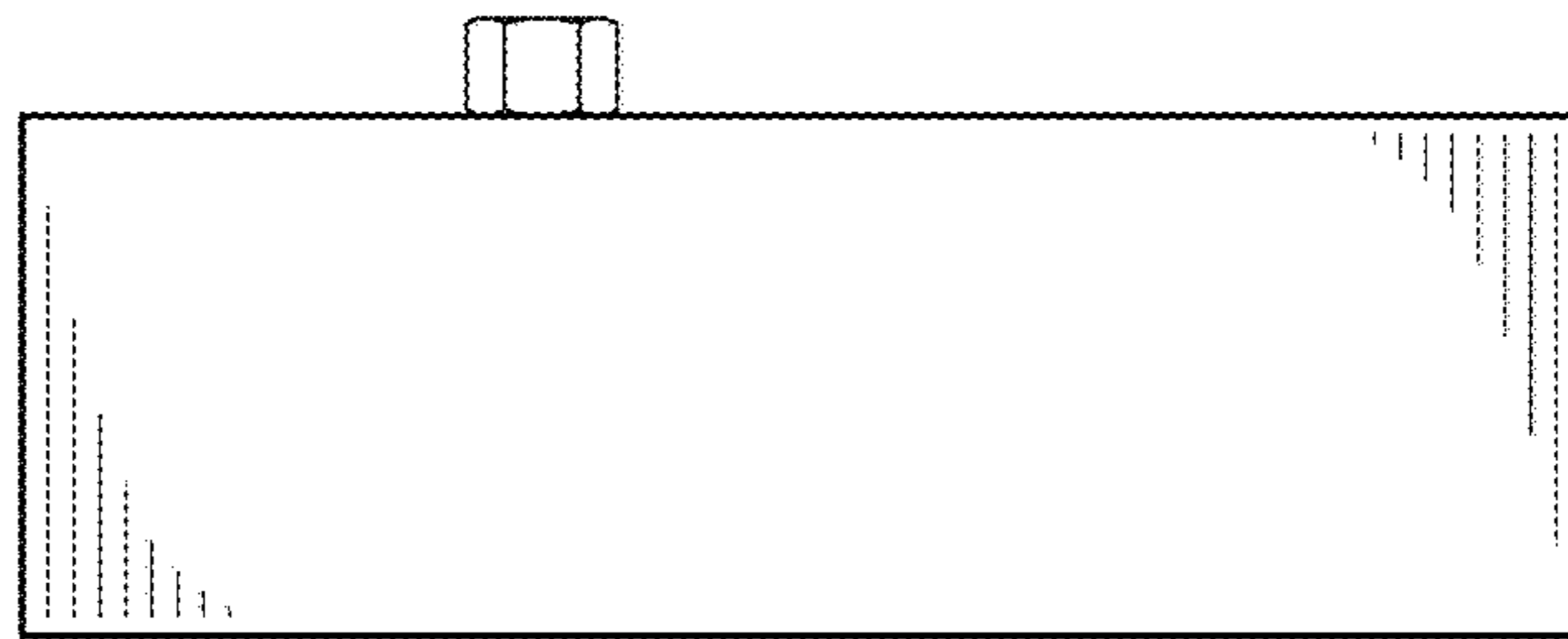




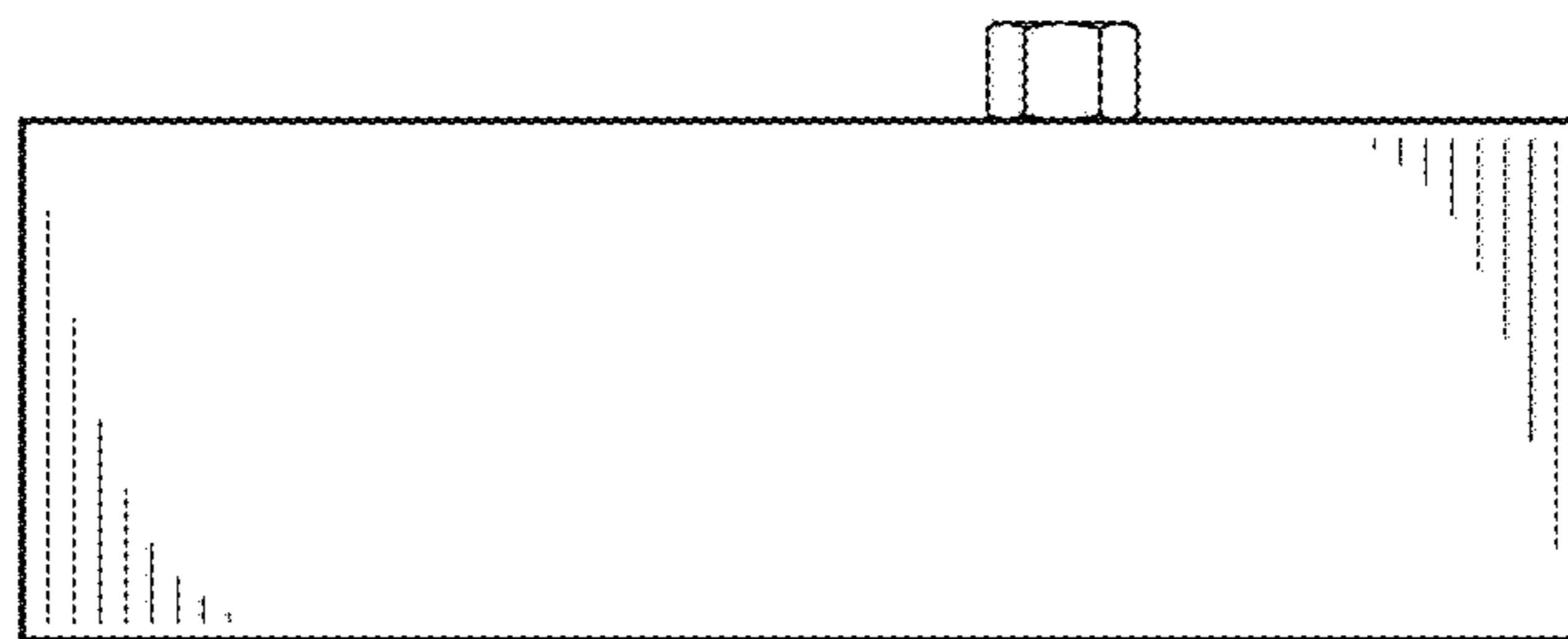
*Fig. 1*



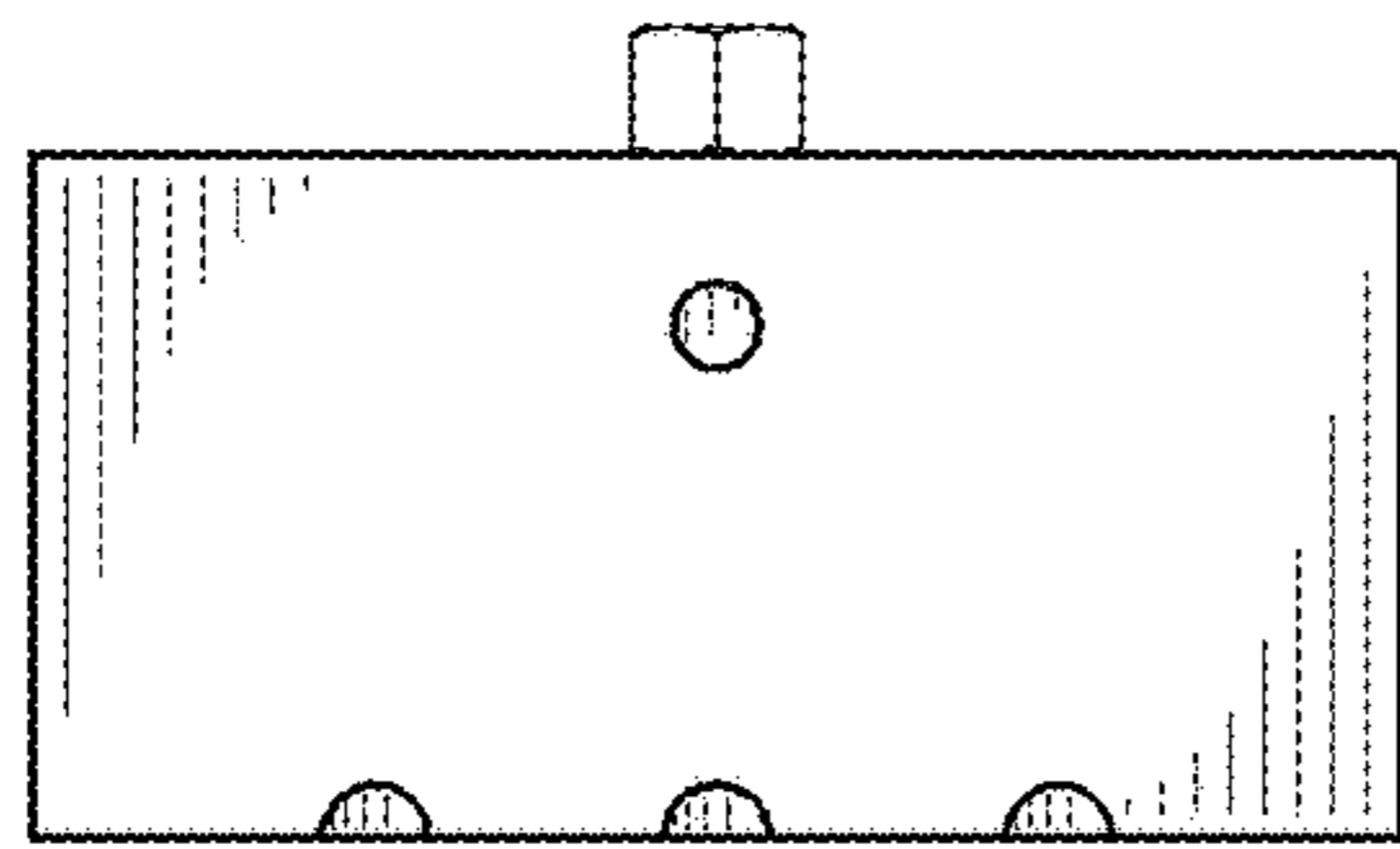
*Fig. 2*



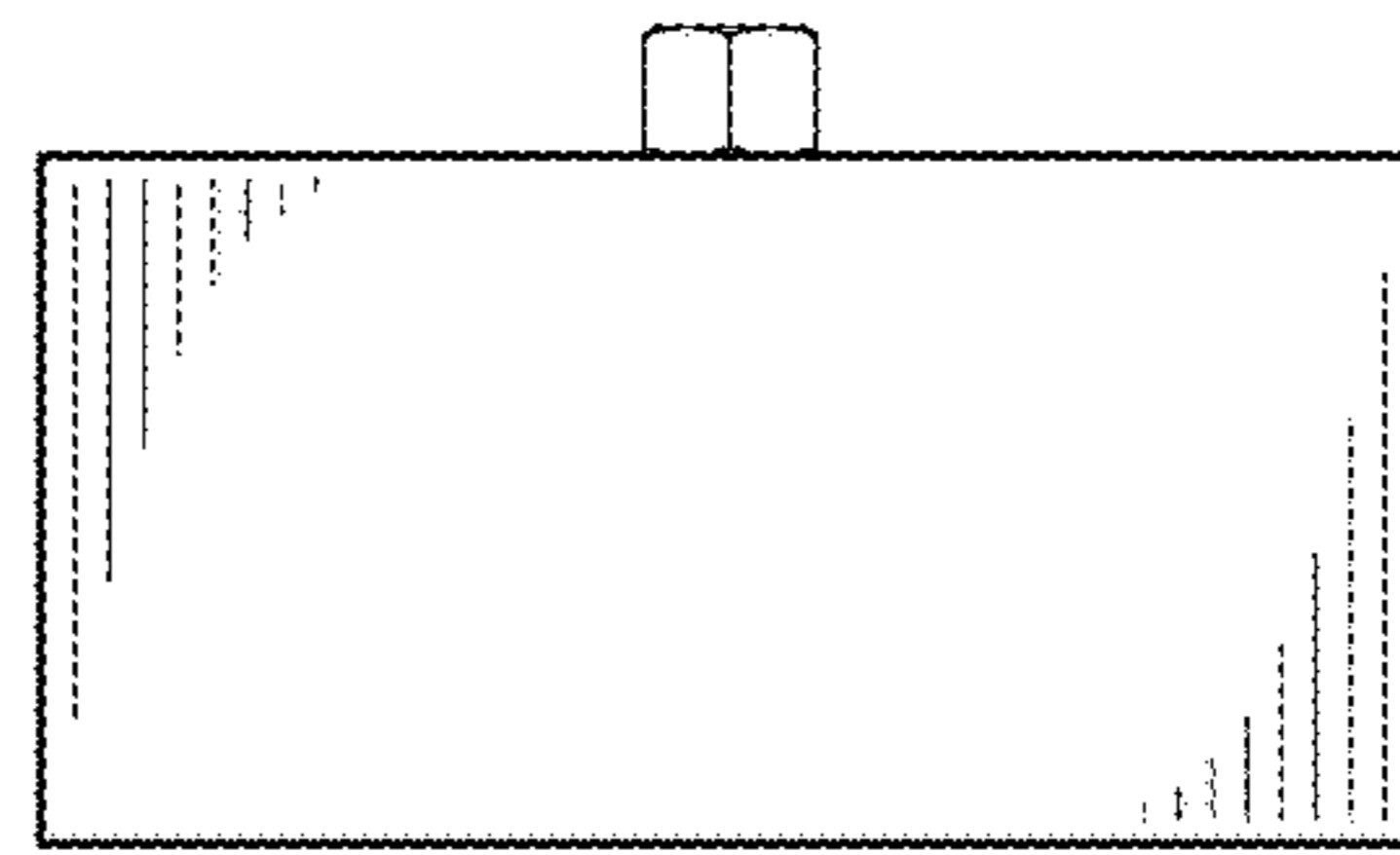
*Fig. 3*



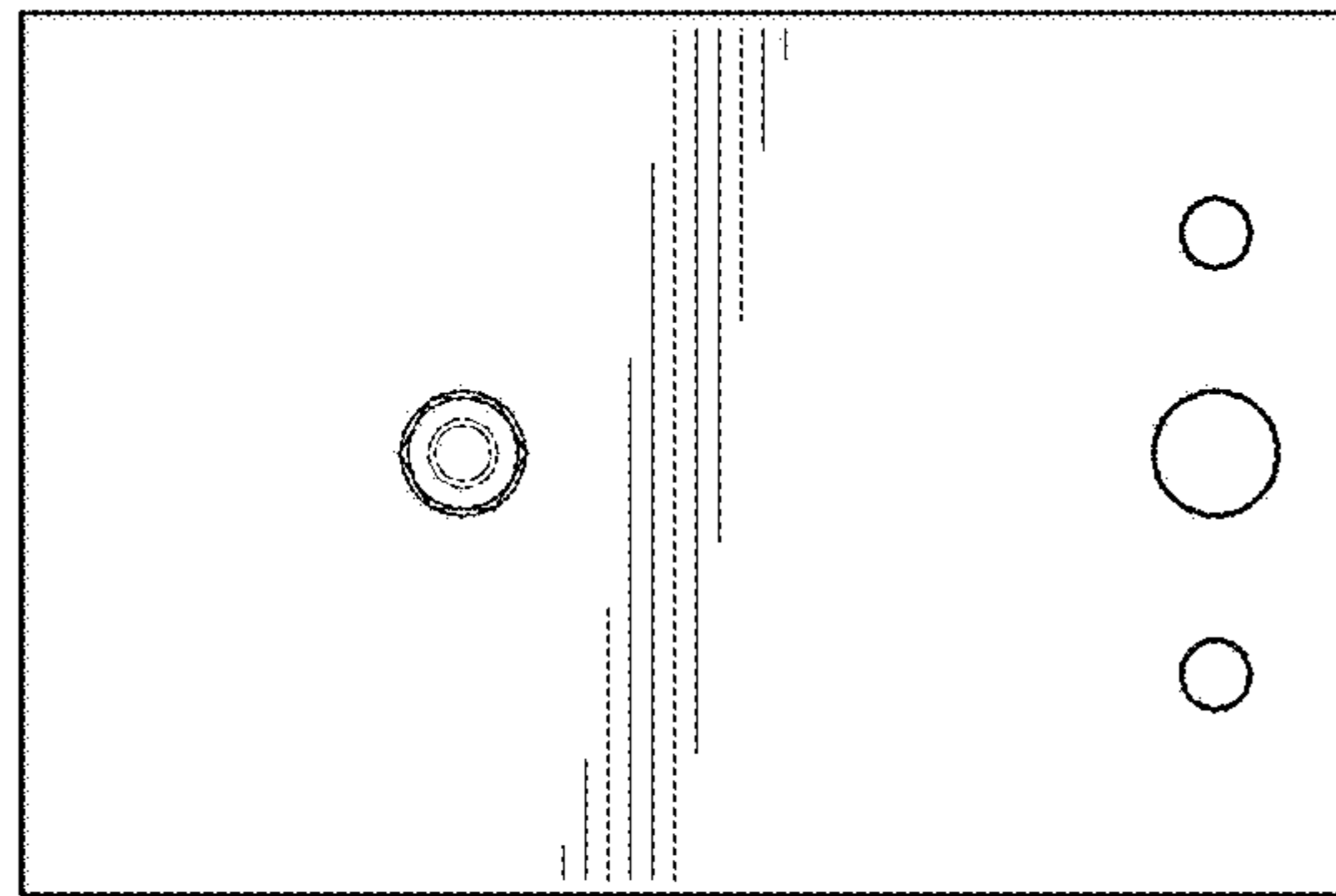
*Fig. 4*



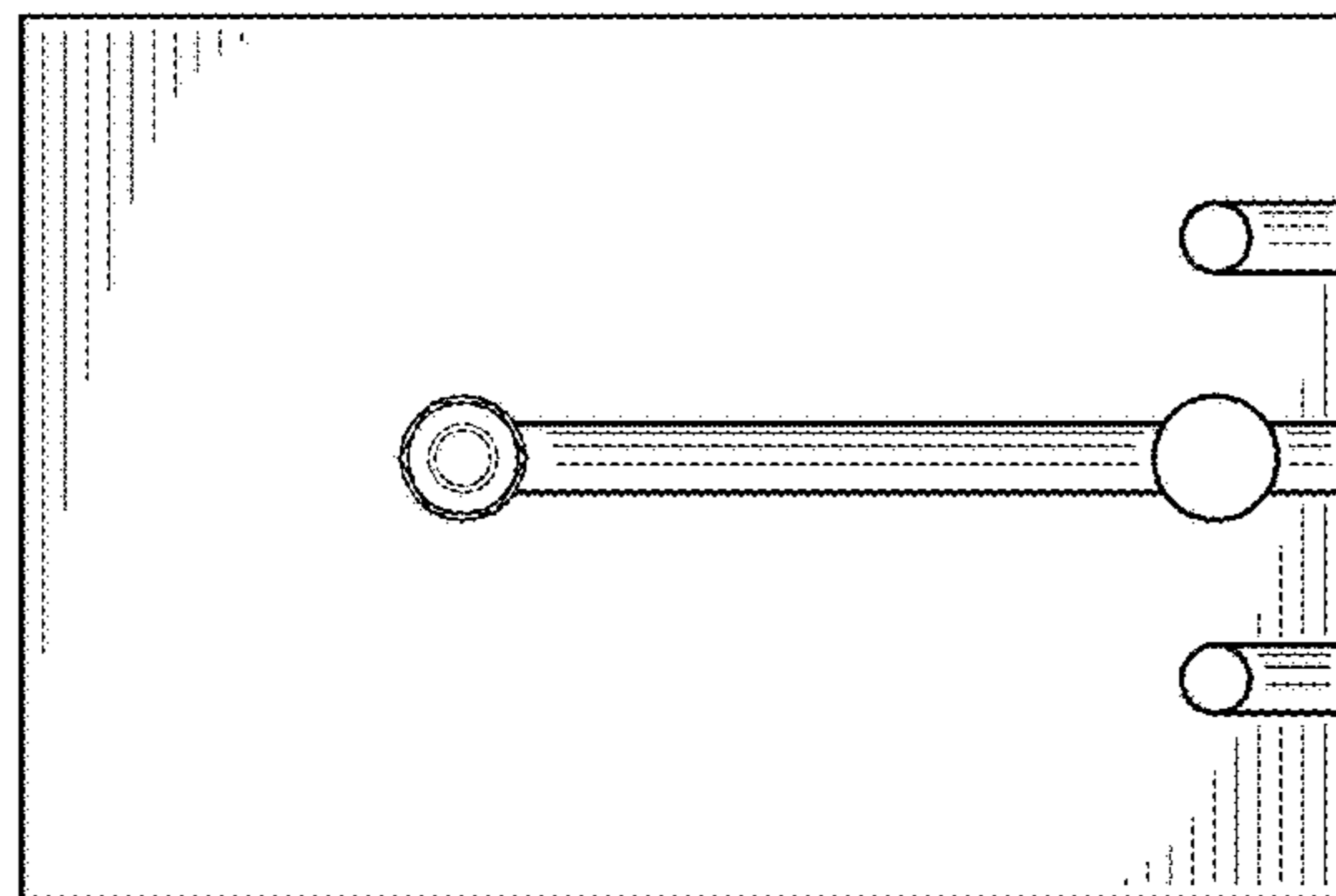
*Fig. 5*



*Fig. 6*



*Fig. 7*



*Fig. 8*