



US00D810478S

(12) **United States Design Patent** (10) **Patent No.:** **US D810,478 S**
Akana et al. (45) **Date of Patent:** **** Feb. 20, 2018**

(54) **DISPLAY STAND COMPONENT**

(71) Applicant: **Apple Inc.**, Cupertino, CA (US)

(72) Inventors: **Jody Akana**, San Francisco, CA (US); **Molly Anderson**, San Francisco, CA (US); **Bartley K. Andre**, Palo Alto, CA (US); **Shota Aoyagi**, San Francisco, CA (US); **Anthony Michael Ashcroft**, San Francisco, CA (US); **Marine C. Bataille**, San Francisco, CA (US); **Jeremy Bataillou**, San Francisco, CA (US); **Daniele De Iuliis**, San Francisco, CA (US); **Markus Diebel**, San Francisco, CA (US); **M. Evans Hankey**, San Francisco, CA (US); **Julian Hoenig**, San Francisco, CA (US); **Richard P. Howarth**, San Francisco, CA (US); **Jonathan P. Ive**, San Francisco, CA (US); **Julian Jaede**, San Francisco, CA (US); **Duncan Robert Kerr**, San Francisco, CA (US); **Peter Russell-Clarke**, San Francisco, CA (US); **Benjamin Andrew Shaffer**, San Jose, CA (US); **Mikael Silvanto**, San Francisco, CA (US); **Christopher J. Stringer**, Woodside, CA (US); **Sung-Ho Tan**, San Francisco, CA (US); **Clement Tissandier**, San Francisco, CA (US); **Eugene Antony Whang**, San Francisco, CA (US); **Rico Zörkendörfer**, San Francisco, CA (US)

(73) Assignee: **Apple Inc.**, Cupertino, CA (US)

(**) Term: **15 Years**

(21) Appl. No.: **29/571,404**

(22) Filed: **Jul. 18, 2016**

(51) **LOC (11) Cl.** **06-06**

(52) **U.S. Cl.**
USPC **D6/682**

(58) **Field of Classification Search**

USPC D6/672, 677, 678, 681, 681.1, 682, D6/682.1, 682.3, 512; D3/903; D9/671
CPC A47F 5/0884; A47F 7/02; A47F 7/022
See application file for complete search history.

(56) **References Cited**

U.S. PATENT DOCUMENTS

D141,791 S *	7/1945	Siegel	D6/682
4,082,183 A *	4/1978	Sturm	A45C 11/10 206/301
D284,084 S	6/1986	Ferrara, Jr.		
4,707,146 A *	11/1987	Wein	A47F 7/022 248/116
D295,748 S	5/1988	Day et al.		
4,862,151 A	8/1989	Grauz et al.		
D318,961 S	8/1991	Edelson		

(Continued)

Primary Examiner — Kelley Donnelly

(74) *Attorney, Agent, or Firm* — Sterne, Kessler, Goldstein & Fox P.L.L.C.

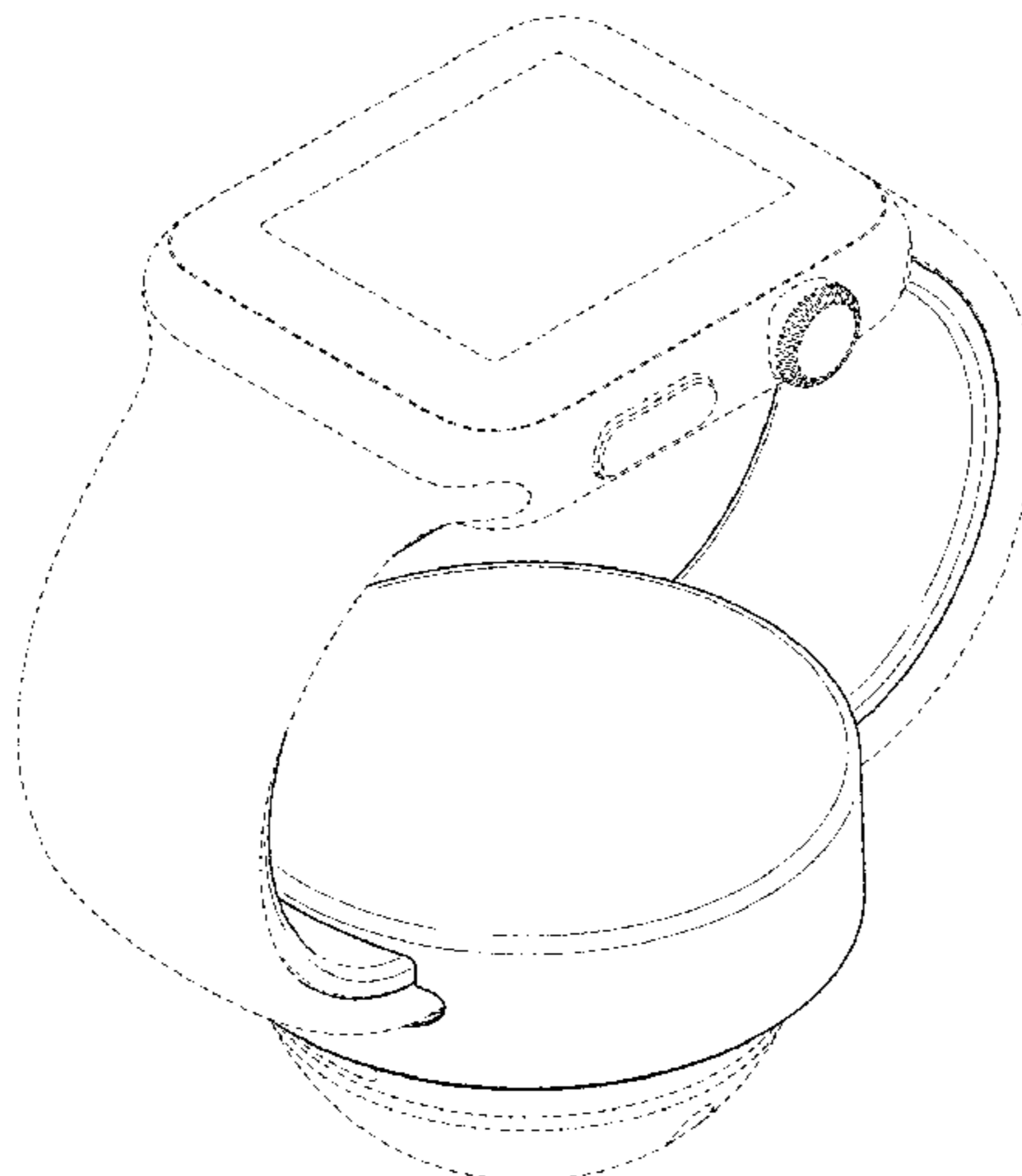
(57) **CLAIM**

The ornamental design for a display stand component, as shown and described.

DESCRIPTION

FIG. 1 is a top front perspective view of a display stand component showing the claimed design; FIG. 2 is a front view thereof; FIG. 3 is a rear view thereof; FIG. 4 is a left side view thereof; FIG. 5 is a right side view thereof; FIG. 6 is a top view thereof; and, FIG. 7 is a bottom view thereof. The broken lines in the figures show portions of the display stand component and environment that form no part of the claimed design.

1 Claim, 7 Drawing Sheets



(56)

References Cited

U.S. PATENT DOCUMENTS

D319,434 S 8/1991 Lund
 5,136,557 A * 8/1992 Plawker G09F 3/18
 248/116
 D337,322 S 7/1993 Yang
 D338,685 S 8/1993 Dakich
 D339,537 S 9/1993 Willnauer et al.
 5,280,229 A 1/1994 Faude et al.
 D343,745 S * 2/1994 Wenger D9/420
 D379,758 S * 6/1997 Chu Lee D20/10
 D392,474 S 3/1998 Frasketi
 D392,958 S 3/1998 Gaete
 D409,416 S * 5/1999 Au D6/682
 D414,166 S 9/1999 De Paris
 D442,939 S 5/2001 Goldenburg
 D450,707 S 11/2001 Francavilla et al.
 D478,740 S * 8/2003 Kirshner A47F 7/022
 D6/682
 6,629,677 B2 * 10/2003 Kirshner A47F 7/022
 206/301
 D483,771 S 12/2003 Esswein
 D488,440 S 4/2004 Senda
 D495,336 S 8/2004 Andre et al.
 D502,179 S 2/2005 Cha et al.
 D502,338 S * 3/2005 Zanghi D6/672
 D527,018 S 8/2006 Christianson
 D543,183 S 5/2007 Cho et al.
 D555,655 S 11/2007 Iu
 D583,821 S 12/2008 Richter
 D585,056 S 1/2009 Ekelund

D587,703 S 3/2009 Yoon
 D596,618 S 7/2009 Zha
 D599,792 S 9/2009 Lin
 D618,614 S 6/2010 Symons
 D623,188 S 9/2010 Son et al.
 D626,129 S 10/2010 Lutz
 D627,777 S 11/2010 Akana et al.
 D637,596 S 5/2011 Akana et al.
 D637,601 S 5/2011 Symons
 D639,267 S 6/2011 DeLorenzo et al.
 D642,121 S 7/2011 Lee et al.
 D642,172 S 7/2011 Akana et al.
 D643,433 S 8/2011 Hsieh et al.
 D651,606 S 1/2012 Luijben
 D661,308 S 6/2012 Capozzoli
 D662,100 S 6/2012 Van Den Nieuwenhuizen et al.
 D670,692 S 11/2012 Akana et al.
 D673,571 S 1/2013 Akana et al.
 D673,572 S 1/2013 Akana et al.
 D673,952 S 1/2013 Toda et al.
 D687,441 S 8/2013 Janzen
 D688,671 S 8/2013 Avganim
 D690,137 S 9/2013 Kikkert et al.
 D690,138 S 9/2013 Kikkert et al.
 D692,420 S 10/2013 McManigal et al.
 D696,259 S 12/2013 Howarth et al.
 D708,270 S 7/2014 Heirakuji et al.
 D740,060 S * 10/2015 Akana D6/682.5
 D752,907 S * 4/2016 Denby D6/682
 2006/0250764 A1 11/2006 Howarth et al.
 2009/0156255 A1 6/2009 Shin et al.
 2014/0028688 A1 1/2014 Houjou et al.

* cited by examiner

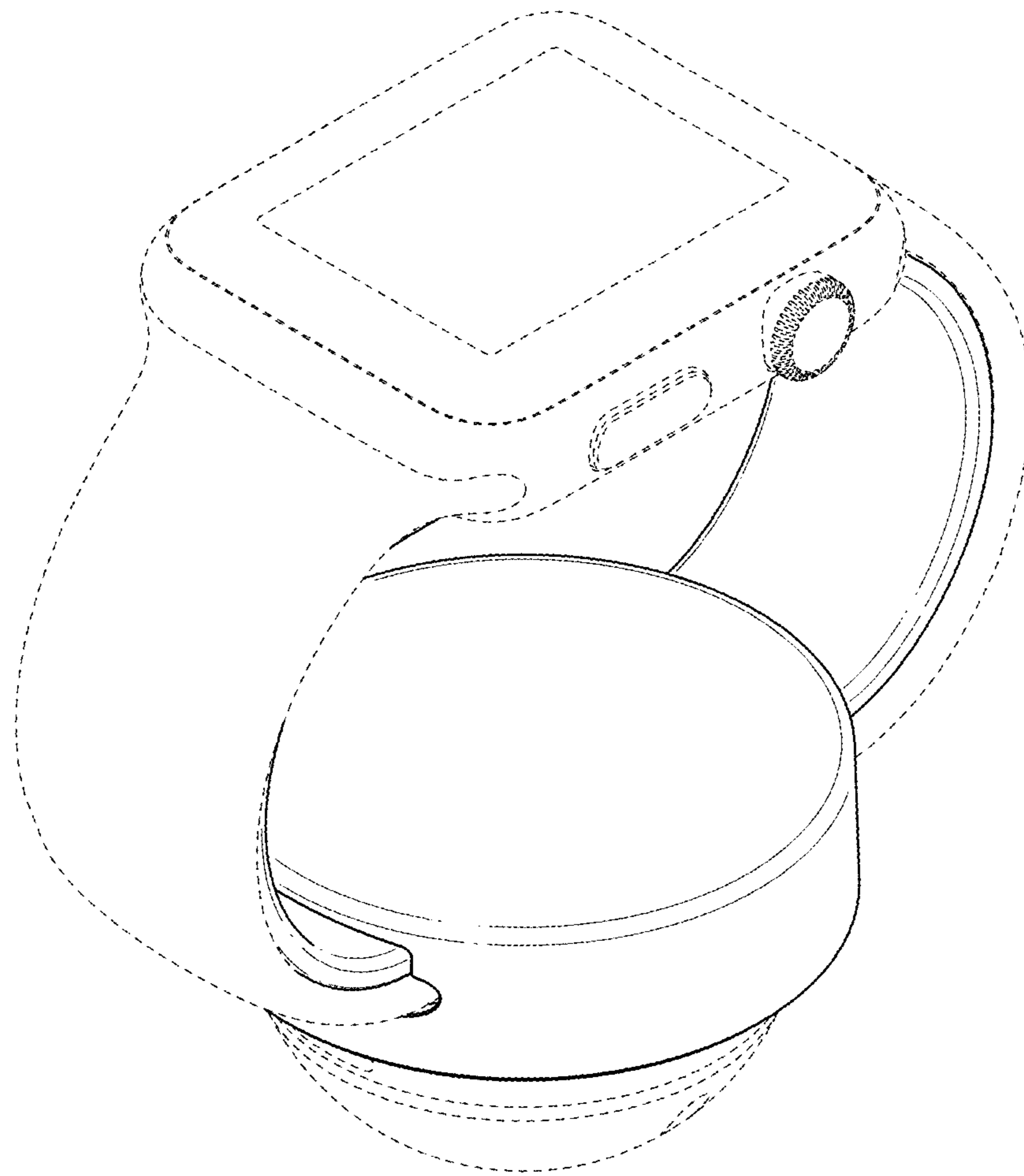


FIG. 1

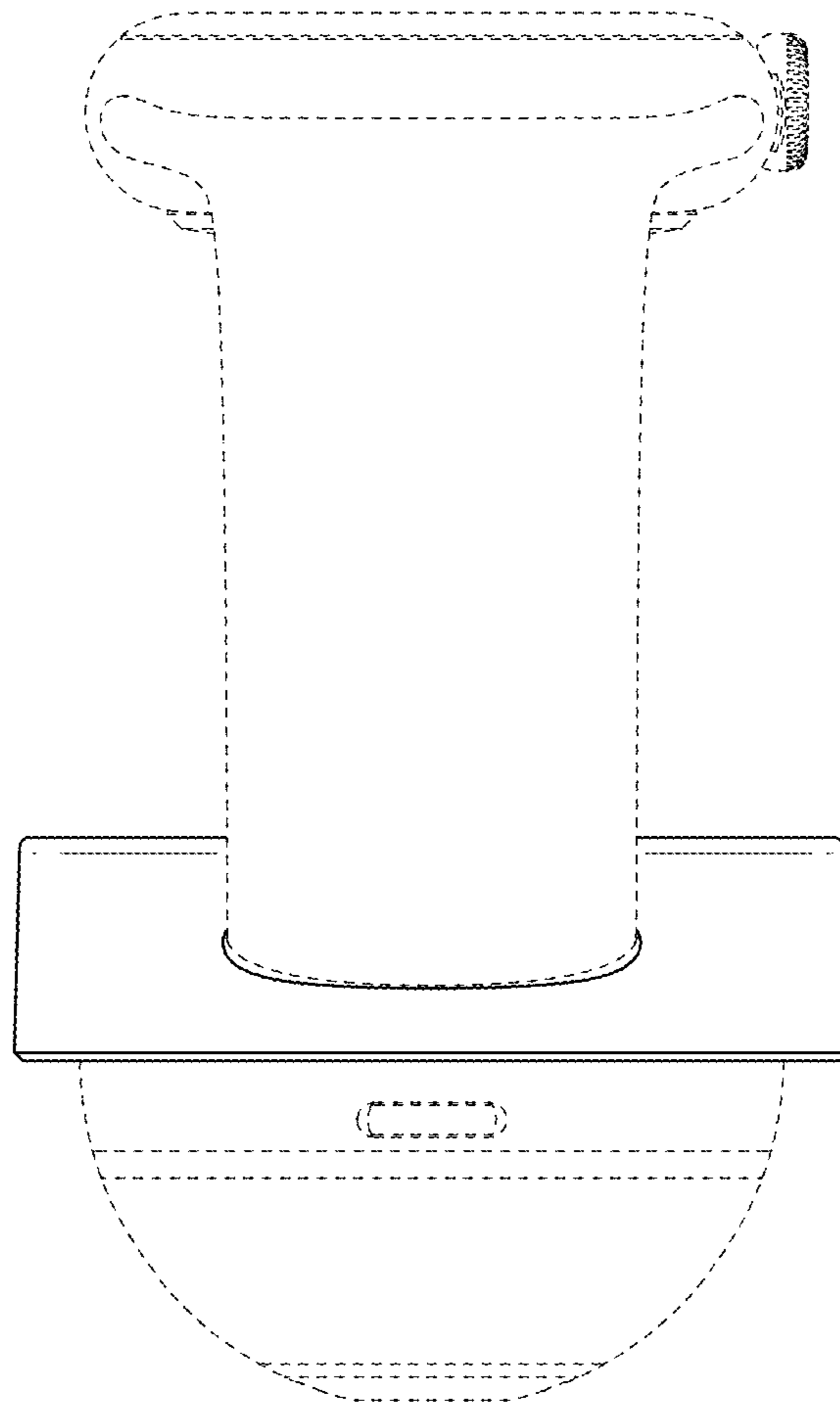


FIG. 2

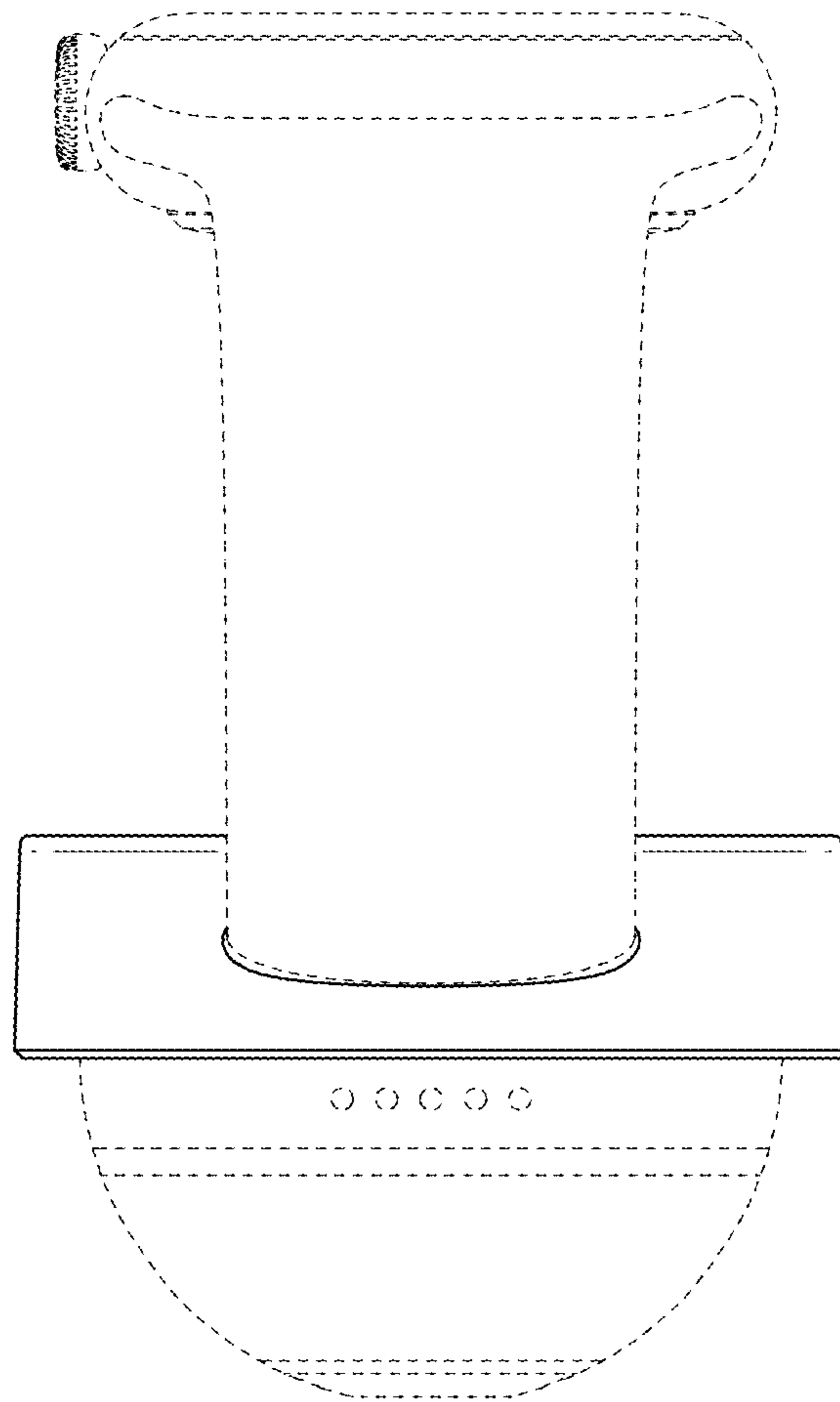


FIG. 3

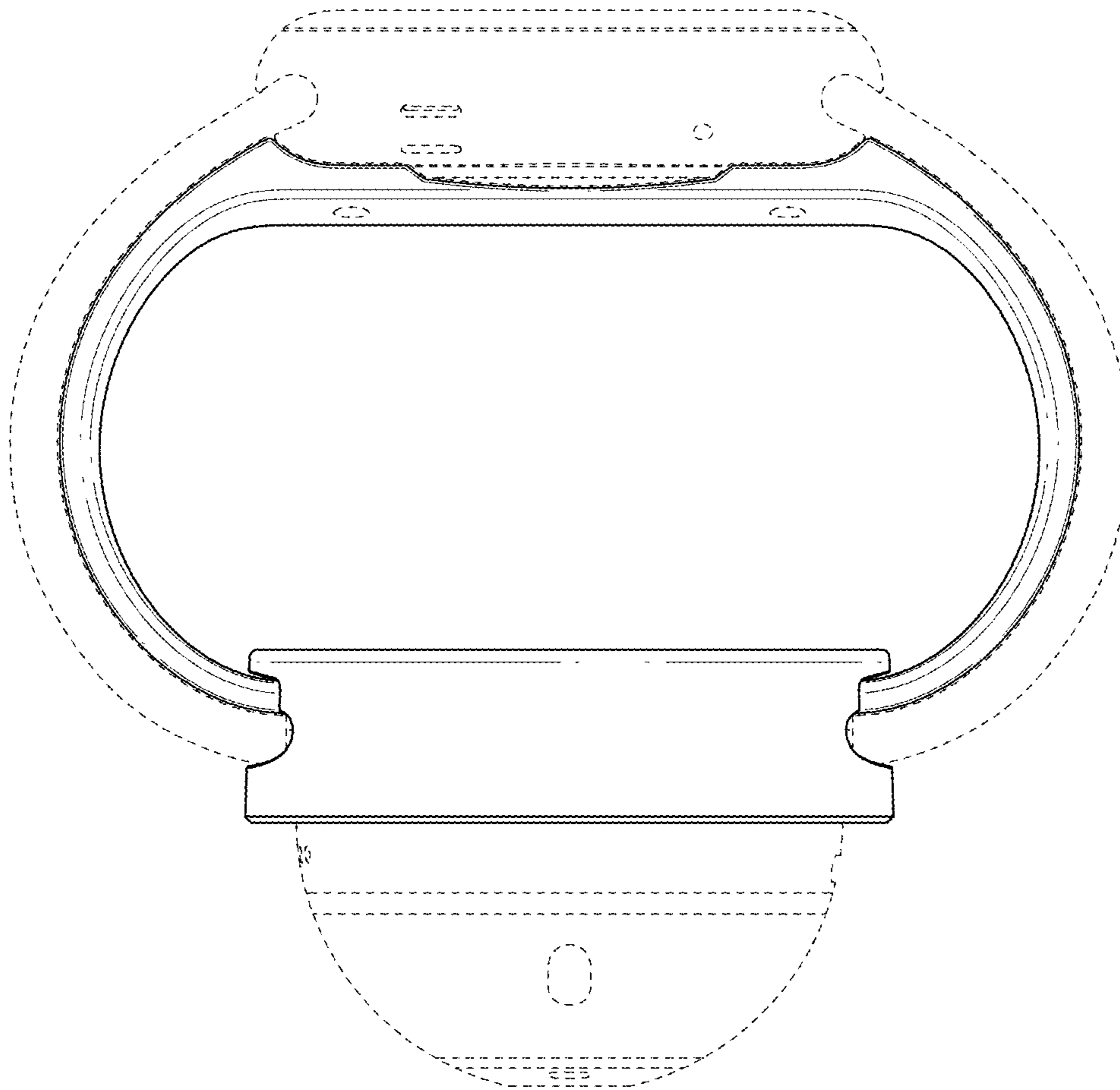


FIG. 4

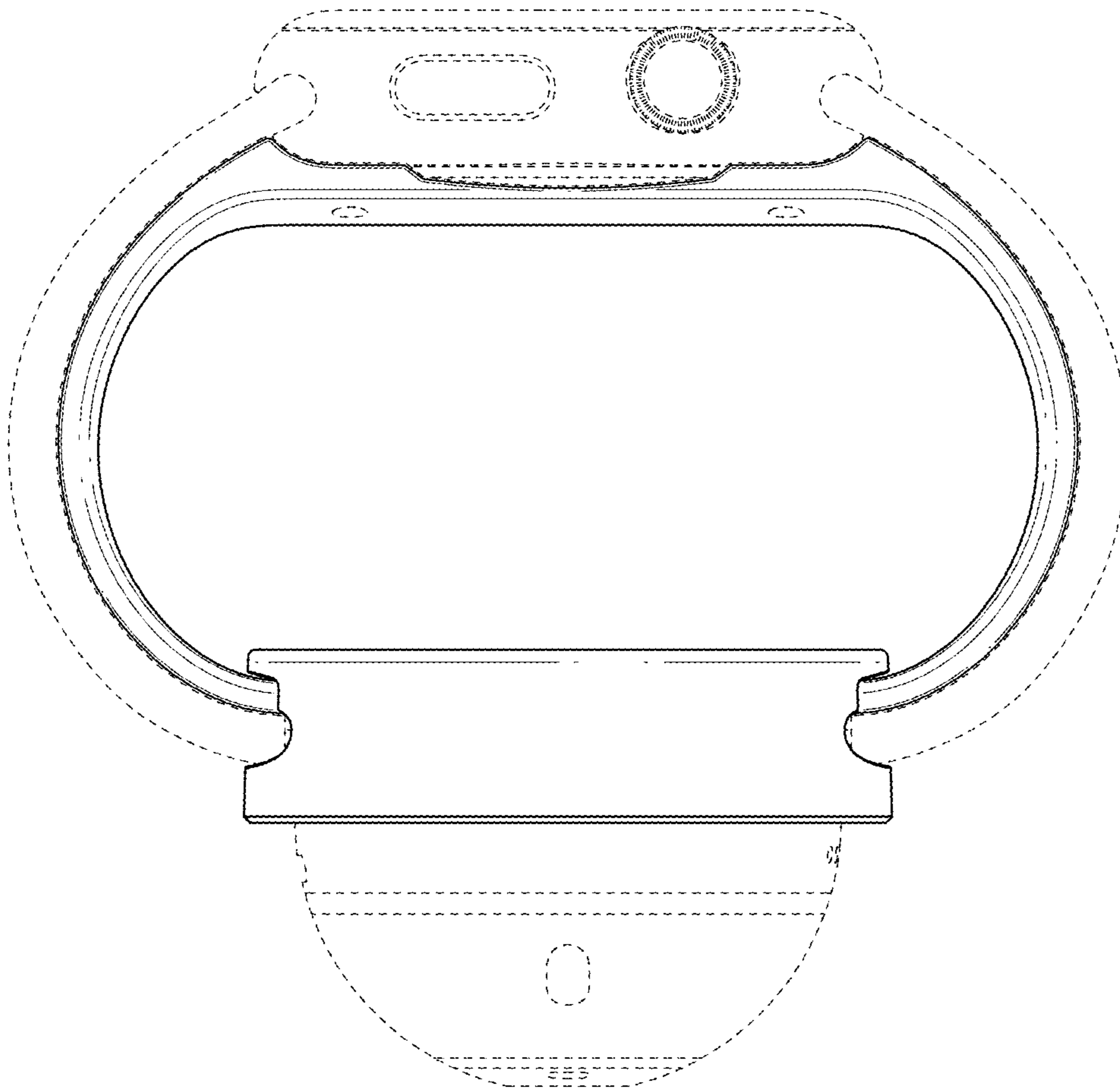


FIG. 5

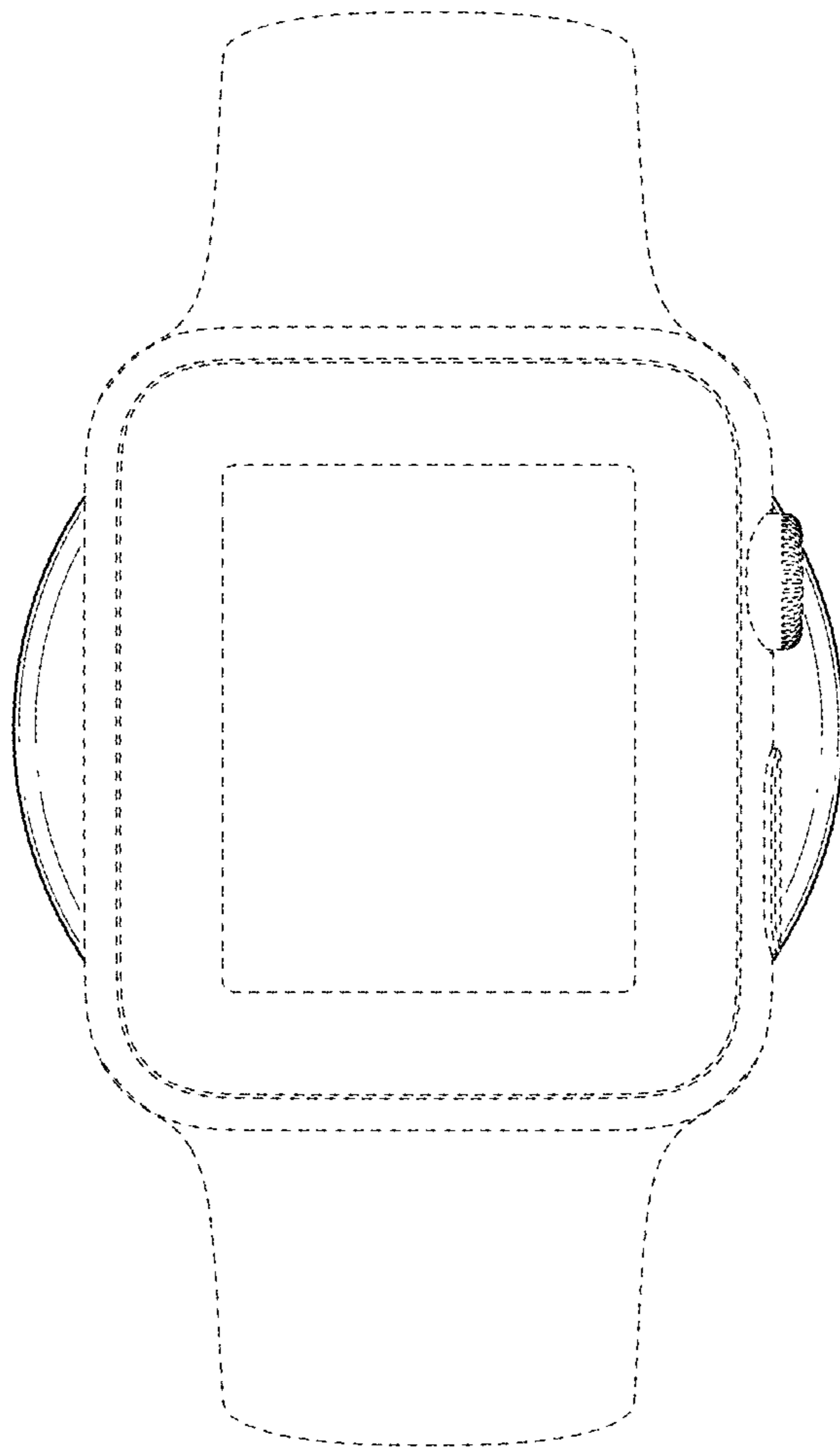


FIG. 6

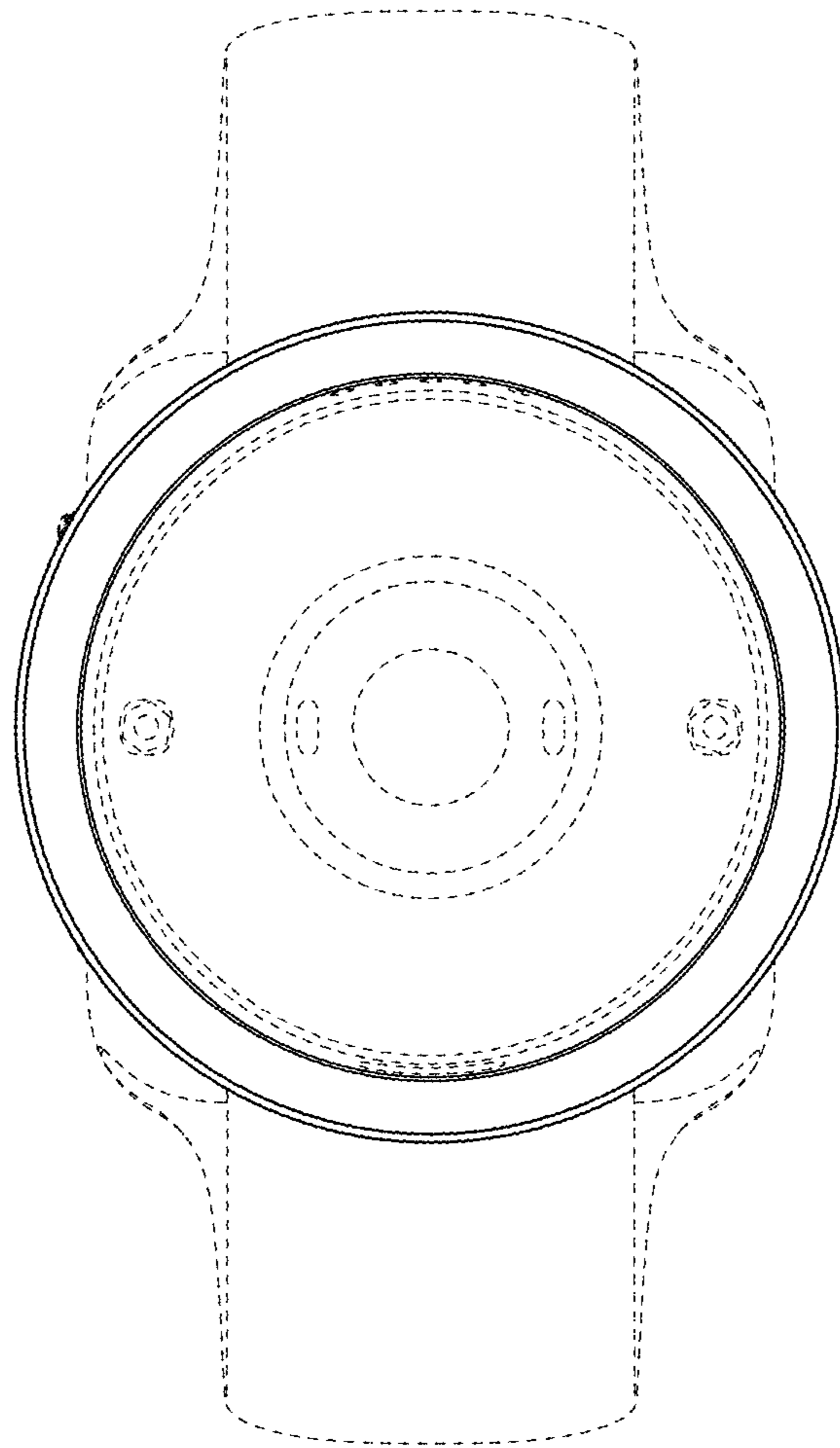


FIG. 7