



US00D810476S

(12) **United States Design Patent**
Heirakuji et al.

(10) **Patent No.:** **US D810,476 S**
(45) **Date of Patent:** **** *Feb. 20, 2018**

- (54) **DISPLAY STRUCTURE**
- (71) Applicant: **Apple Inc.**, Cupertino, CA (US)
- (72) Inventors: **Russell John Kaaihue Heirakuji**,
Cupertino, CA (US); **Kevin Fenton Smeds**,
San Francisco, CA (US); **Frank Craig Thaler**,
Santa Cruz, CA (US)
- (73) Assignee: **Apple Inc.**, Cupertino, CA (US)
- (*) Notice: This patent is subject to a terminal disclaimer.
- (**) Term: **15 Years**
- (21) Appl. No.: **29/557,793**
- (22) Filed: **Mar. 11, 2016**

Related U.S. Application Data

- (63) Continuation of application No. 29/525,869, filed on May 4, 2015, now Pat. No. Des. 753,419, which is a continuation of application No. 29/432,722, filed on Sep. 19, 2012, now Pat. No. Des. 728,281.
- (51) **LOC (11) Cl.** **06-06**
- (52) **U.S. Cl.**
USPC **D6/675**
- (58) **Field of Classification Search**
USPC D6/349, 672, 675, 675.1, 684, 691, 716;
211/31.1, 85.26, 85.31, 85.4, 33, 134,
211/186-191, 194, 181.1
CPC A47F 5/0018; A47F 5/0043; A47F 5/0081
See application file for complete search history.

(56) **References Cited**

U.S. PATENT DOCUMENTS

D248,345 S *	7/1978	Stoddard	D6/353
D300,996 S *	5/1989	Colby	D6/690
D303,190 S	9/1989	Suttles		
D406,964 S	3/1999	Lewis		

D427,814 S	7/2000	Black	
D427,815 S	7/2000	Lewis	
D465,936 S	11/2002	Arnold	
D466,337 S	12/2002	Feng	
D530,548 S	10/2006	McCurry	
D539,569 S	4/2007	Lewis	
D582,169 S *	12/2008	Skalka D6/355
D583,577 S	12/2008	Wicha	

(Continued)

Primary Examiner — Kelley Donnelly
(74) *Attorney, Agent, or Firm* — Sterne, Kessler,
Goldstein & Fox P.L.L.C.

(57) **CLAIM**

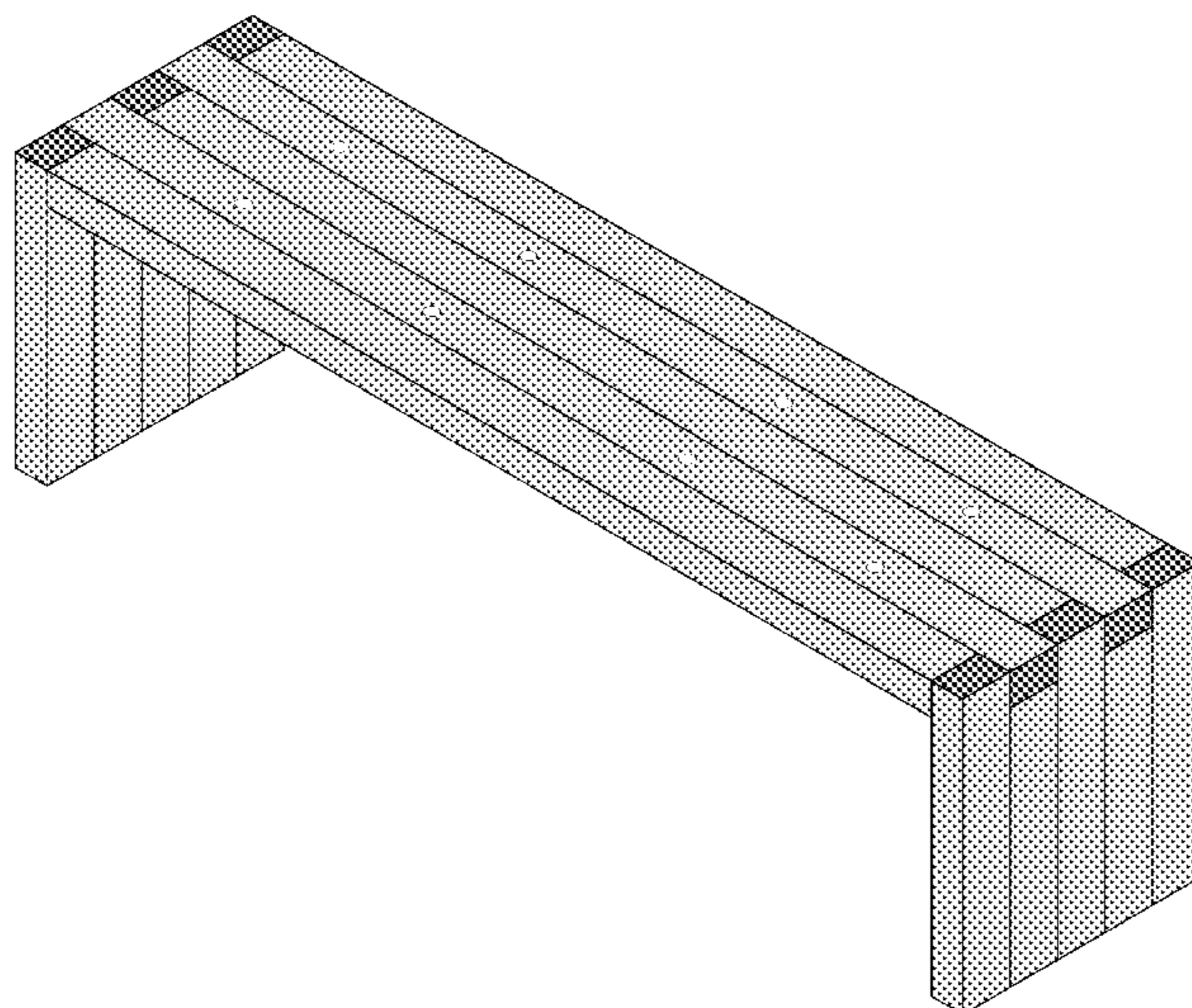
The ornamental design for a display structure, as shown and described.

DESCRIPTION

FIG. 1 is a top front perspective view of a display structure showing our new design;
 FIG. 2 is a bottom rear perspective view thereof;
 FIG. 3 is a front view thereof;
 FIG. 4 is a rear view thereof;
 FIG. 5 is a left side view thereof;
 FIG. 6 is a right side view thereof;
 FIG. 7 is a top view thereof;
 FIG. 8 is a bottom view thereof;
 FIG. 9 is a top front perspective view of a display structure showing our new design;
 FIG. 10 is a bottom rear perspective view thereof;
 FIG. 11 is a front view thereof;
 FIG. 12 is a rear view thereof;
 FIG. 13 is a left side view thereof;
 FIG. 14 is a right side view thereof;
 FIG. 15 is a top view thereof; and,
 FIG. 16 is a bottom view thereof.

The broken lines in the figures show portions of the display structure that form no part of the claimed design.
The dark and light gray shading in the figures shows contrasting appearance.

1 Claim, 12 Drawing Sheets



(56)

References Cited

U.S. PATENT DOCUMENTS

D591,090	S	4/2009	Judkins	
D599,570	S	9/2009	Skalka	
D611,735	S	3/2010	Stukenberg	
D611,736	S *	3/2010	Navone	D6/689
D651,651	S	1/2012	Beukema et al.	
D659,415	S	5/2012	Soto et al.	
D686,438	S *	7/2013	Denby	D6/687
D693,610	S	11/2013	Denby et al.	
D694,557	S	12/2013	Rodgers	
D694,558	S *	12/2013	Denby	D6/675.1
D705,556	S	5/2014	Udagawa	
D713,190	S	9/2014	Behar	
D713,658	S	9/2014	Smeds et al.	
D717,554	S	11/2014	Kapka	
D727,644	S	4/2015	Sorel	
D730,071	S	5/2015	Sorel	
D734,631	S	7/2015	Velez	
D741,616	S *	10/2015	Sneve	D6/375
D763,016	S *	8/2016	Clark	D6/675
D766,630	S *	9/2016	Akana	D6/691.1
D766,631	S *	9/2016	Akana	D6/691.9
D776,471	S *	1/2017	Mandon	D6/691.1
D783,324	S *	4/2017	Akana	D6/691.1
D788,506	S *	6/2017	Choi	D6/705.7

* cited by examiner

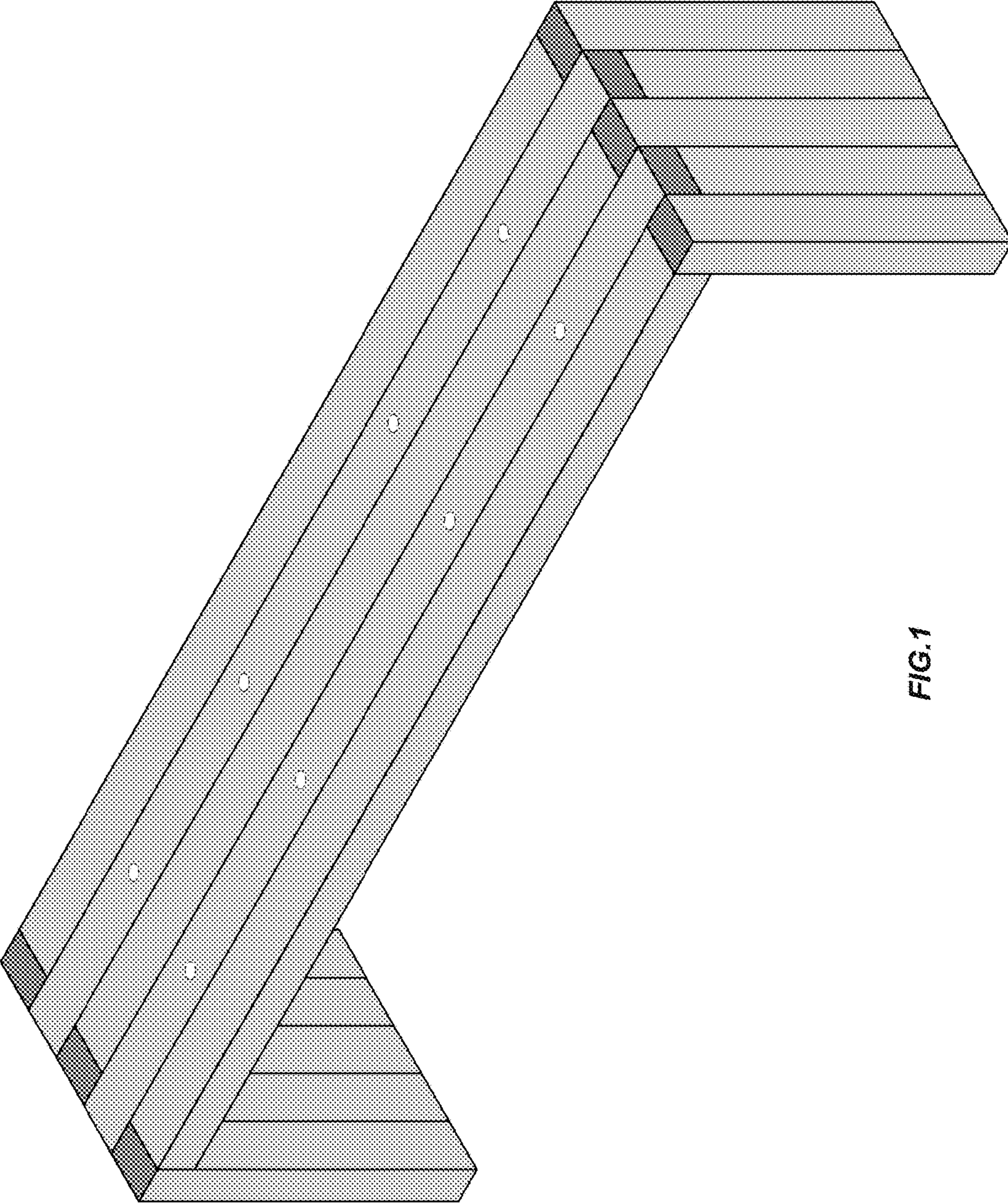


FIG.1

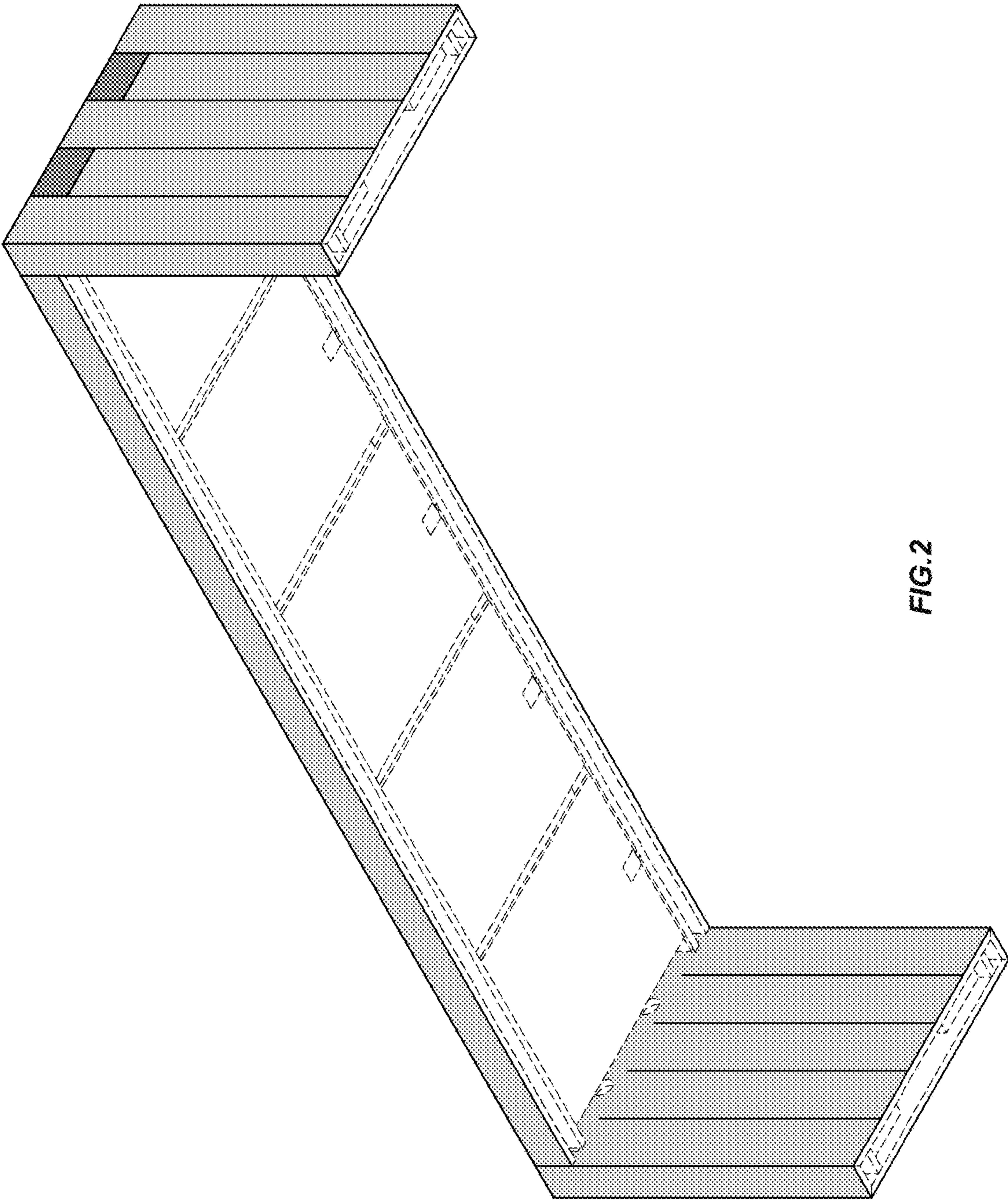


FIG.2

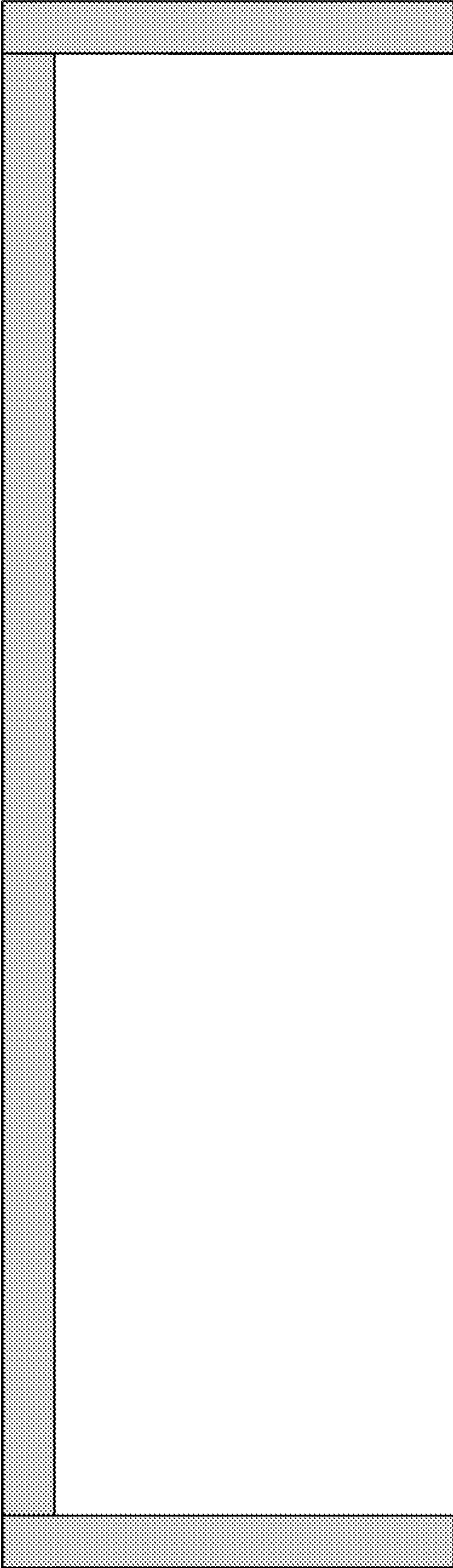


FIG.3

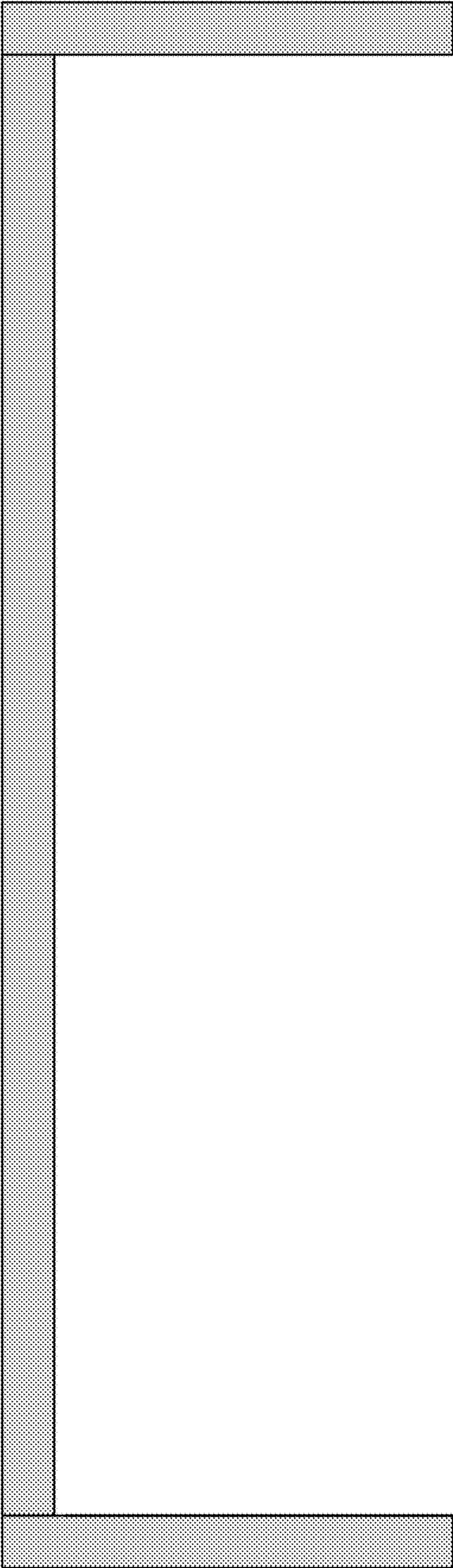


FIG.4

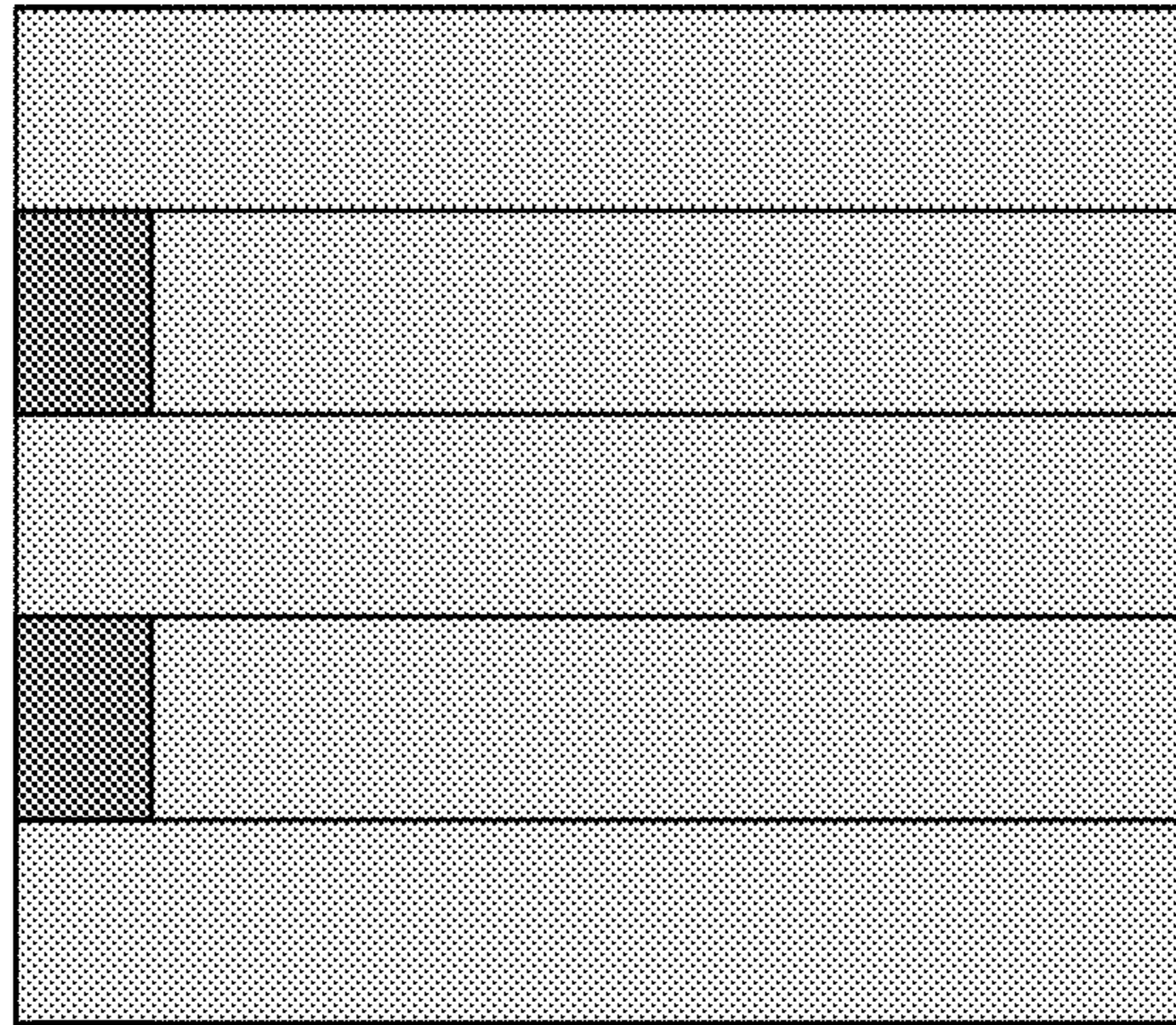


FIG. 6

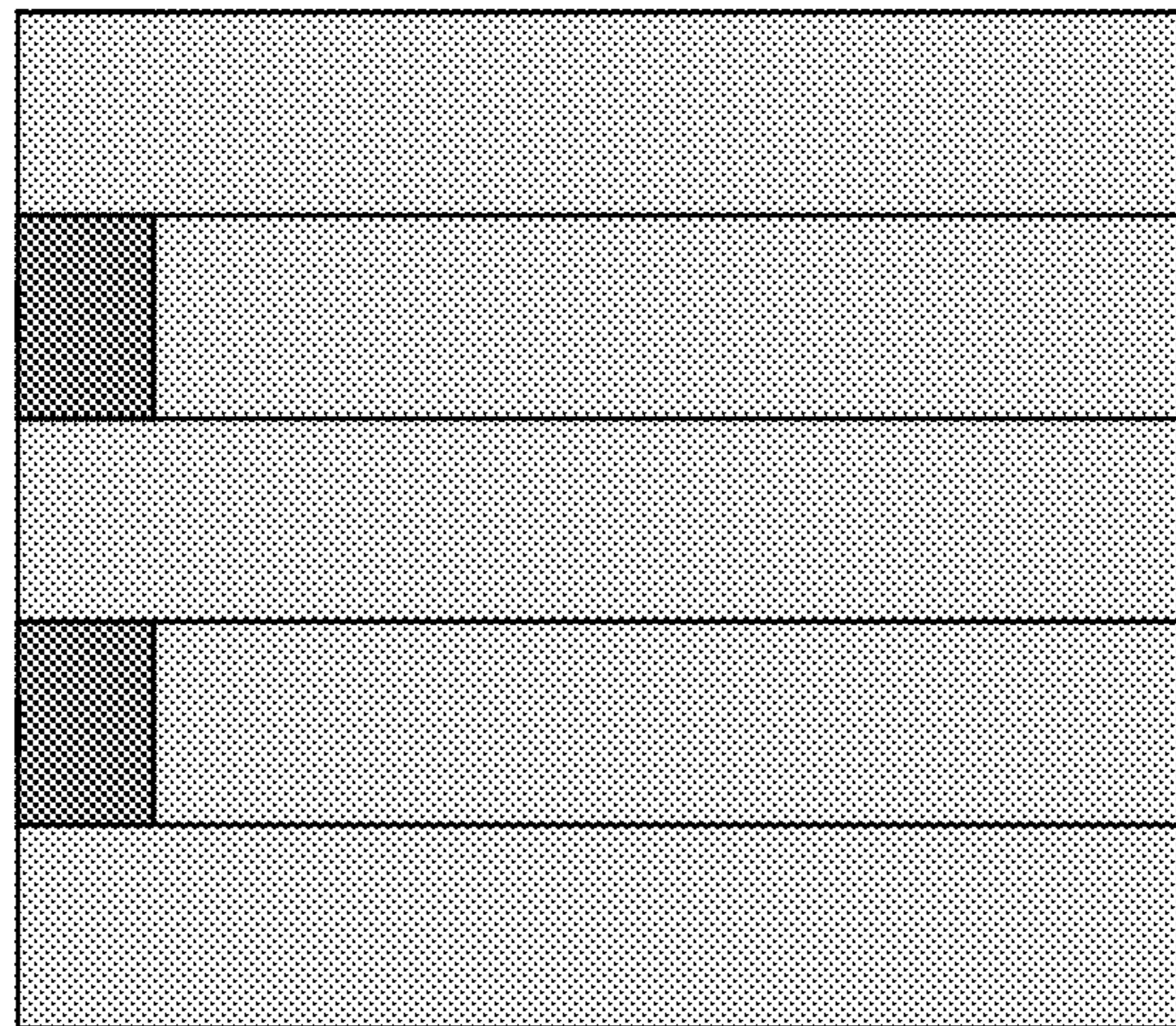


FIG. 5

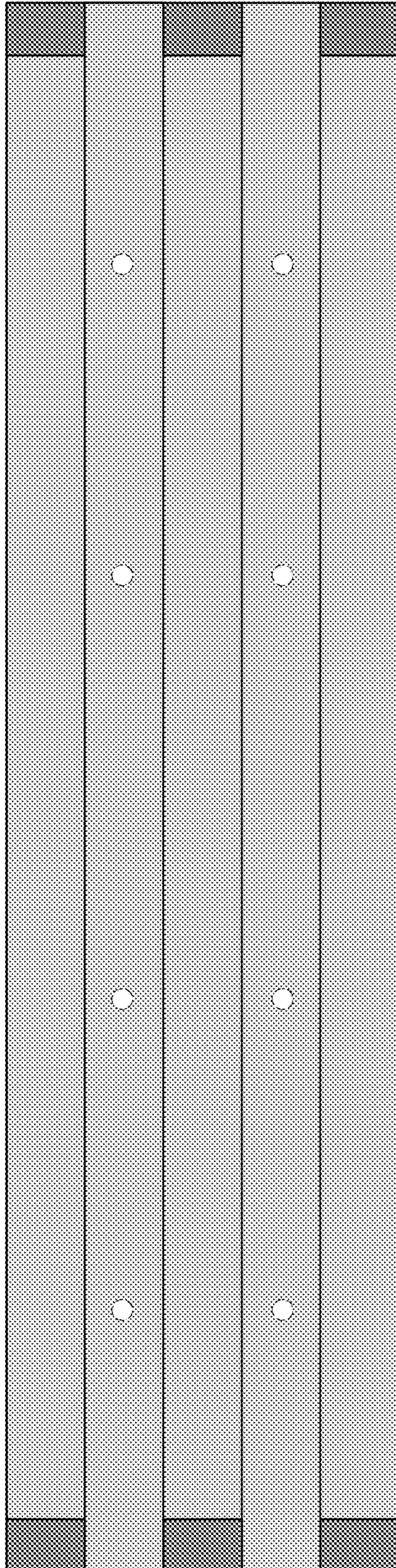


FIG. 7

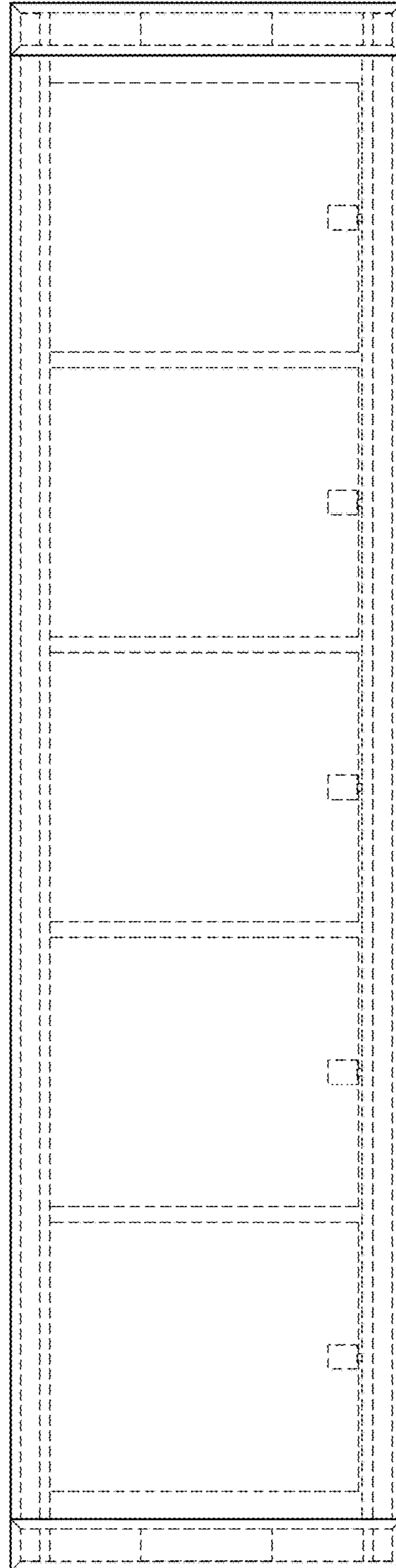


FIG. 8

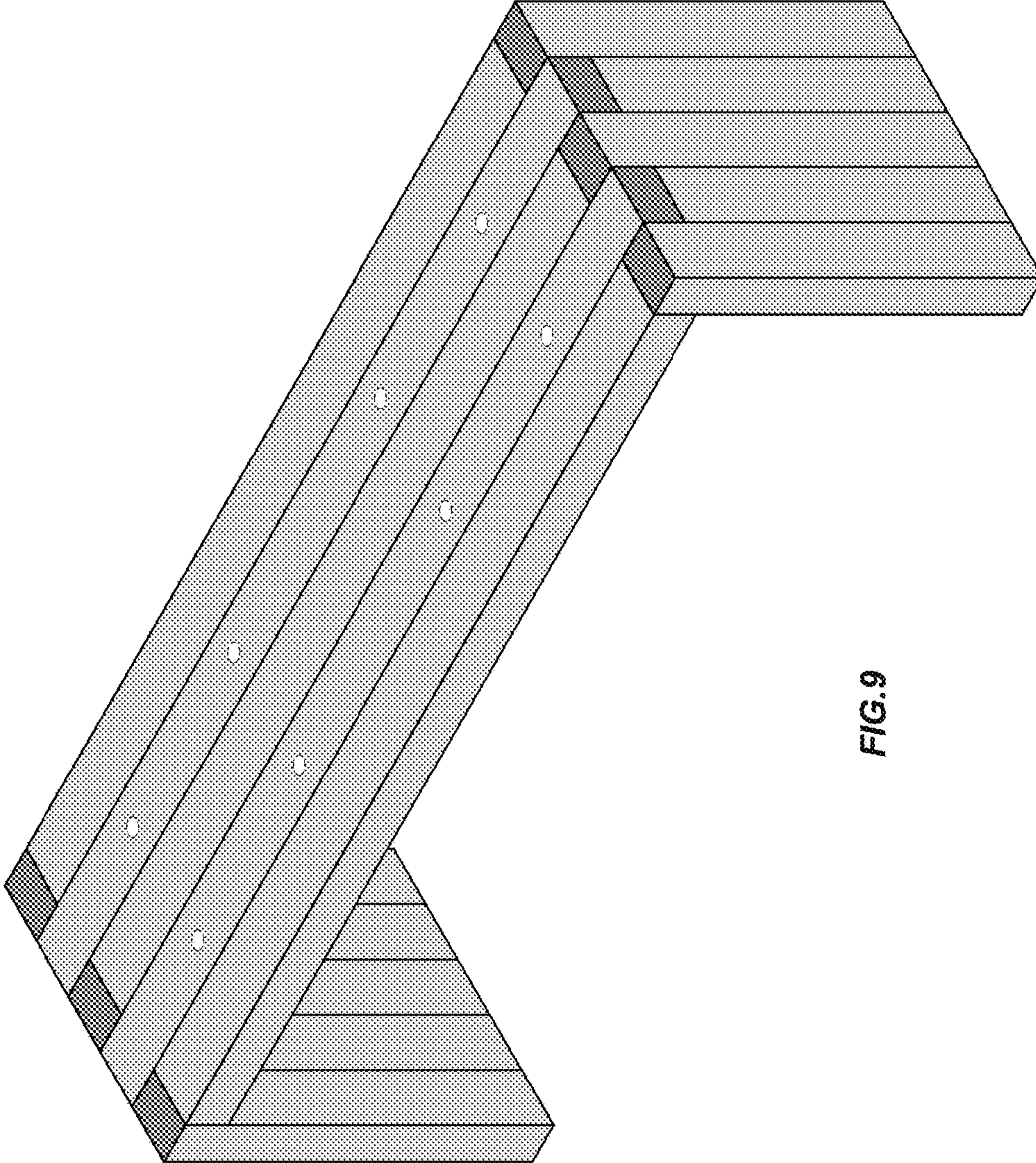


FIG. 9

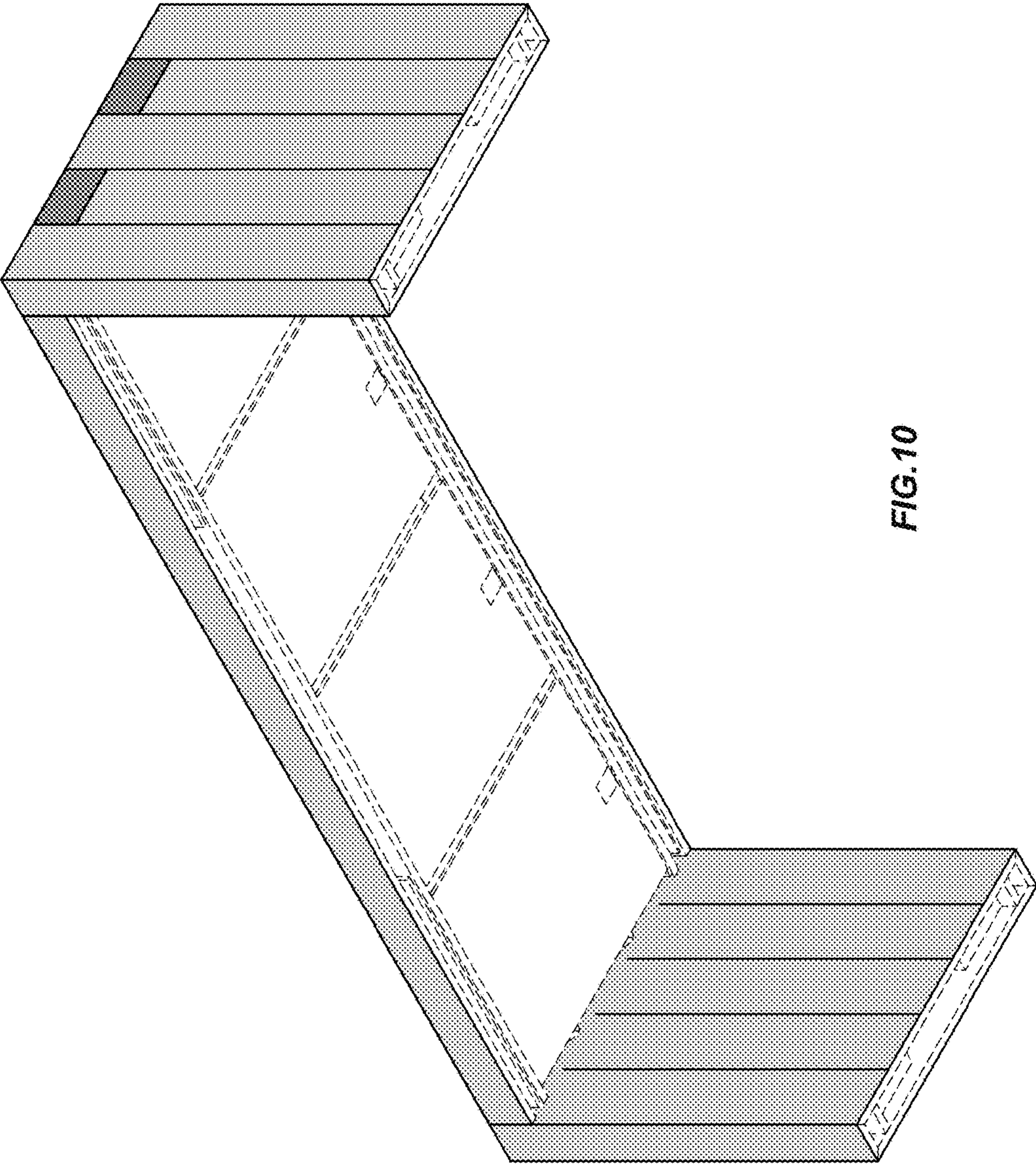


FIG.10

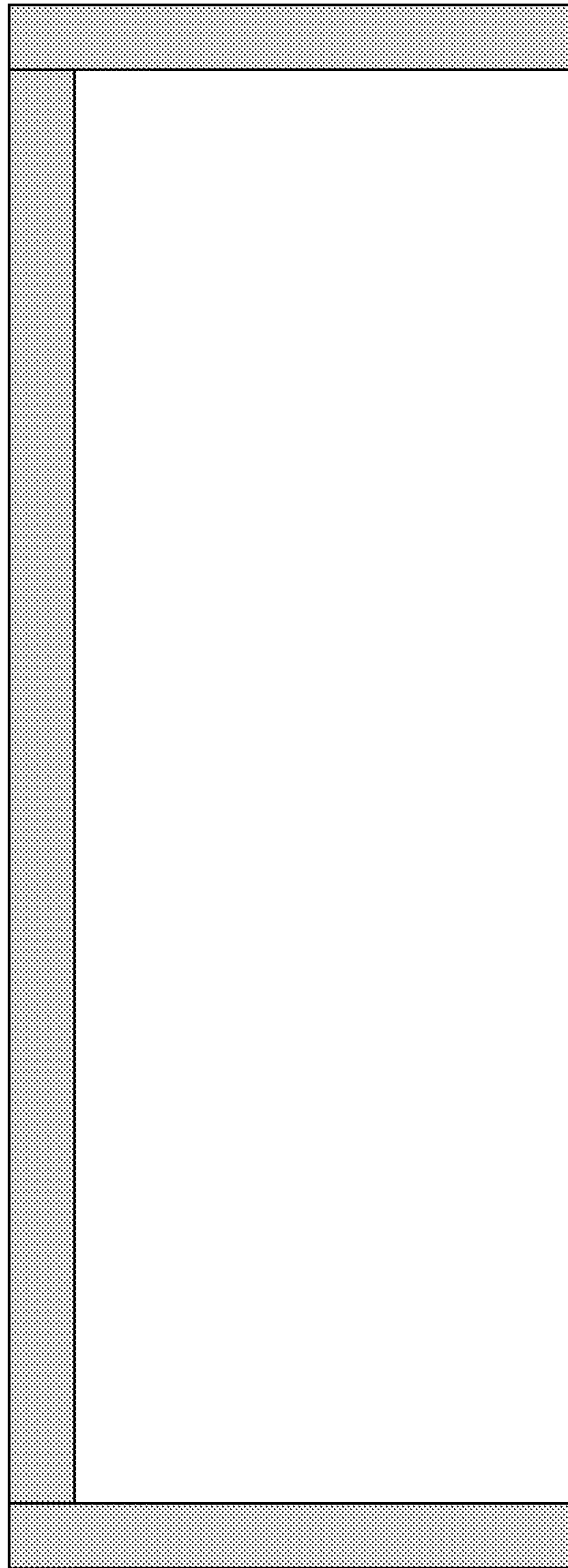


FIG. 11

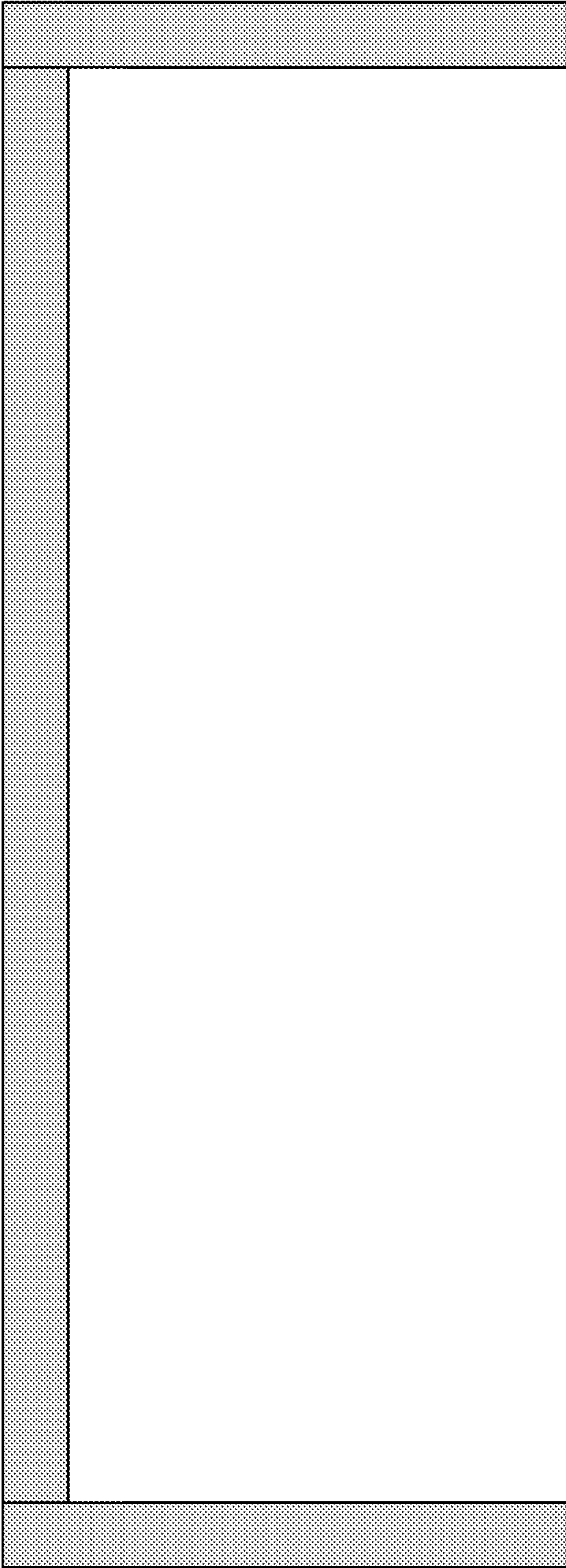


FIG.12

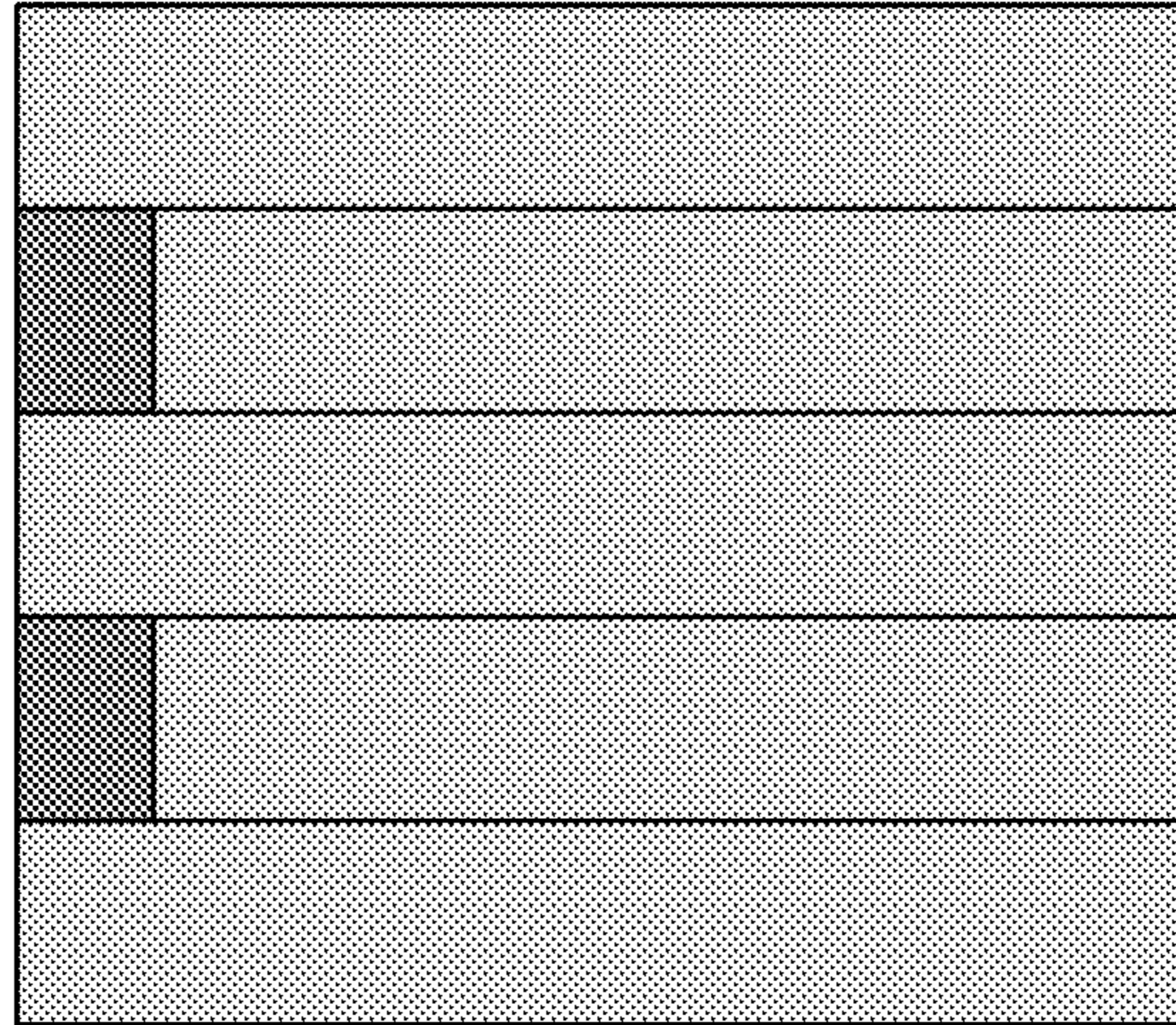


FIG. 14

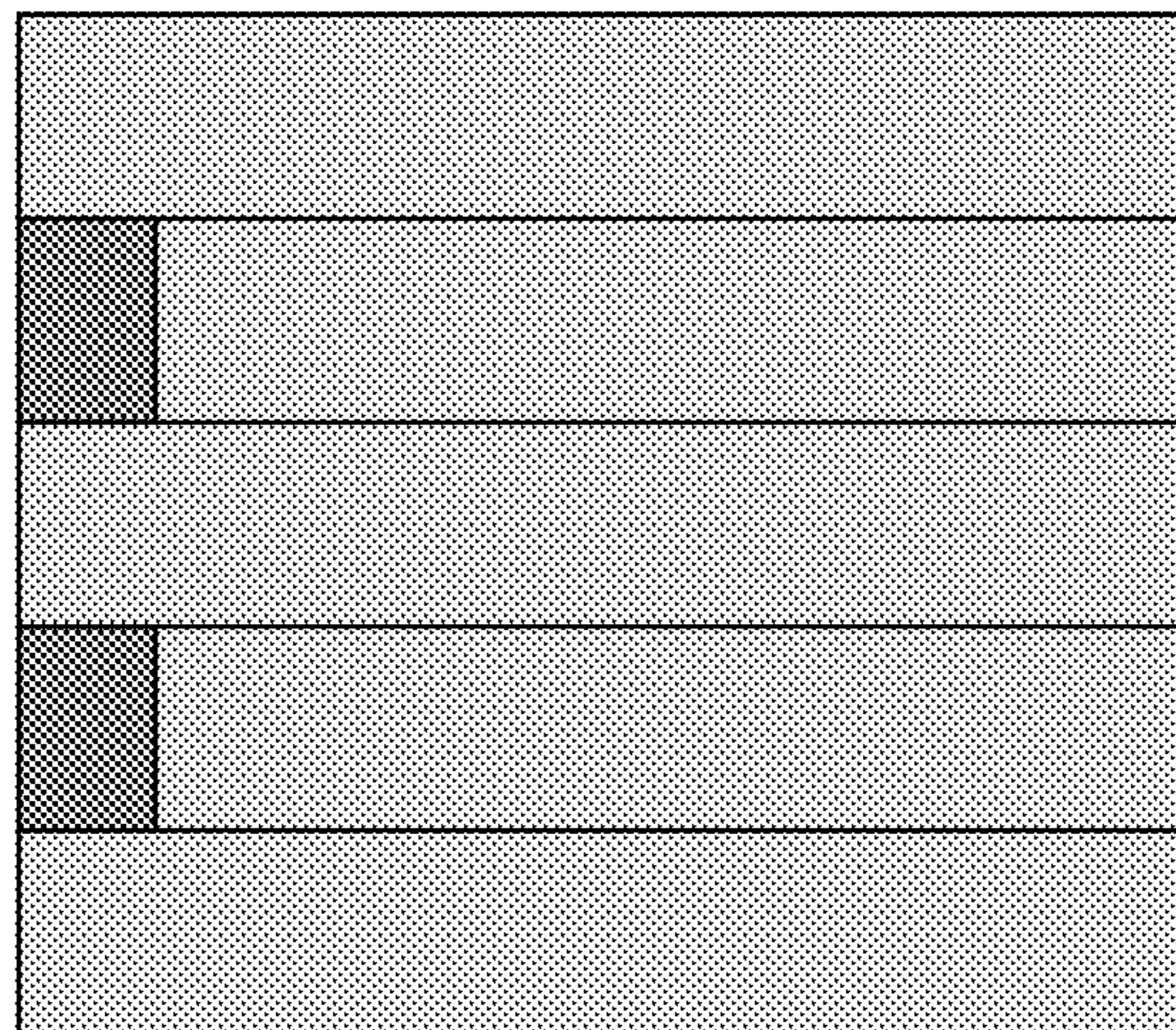


FIG. 13

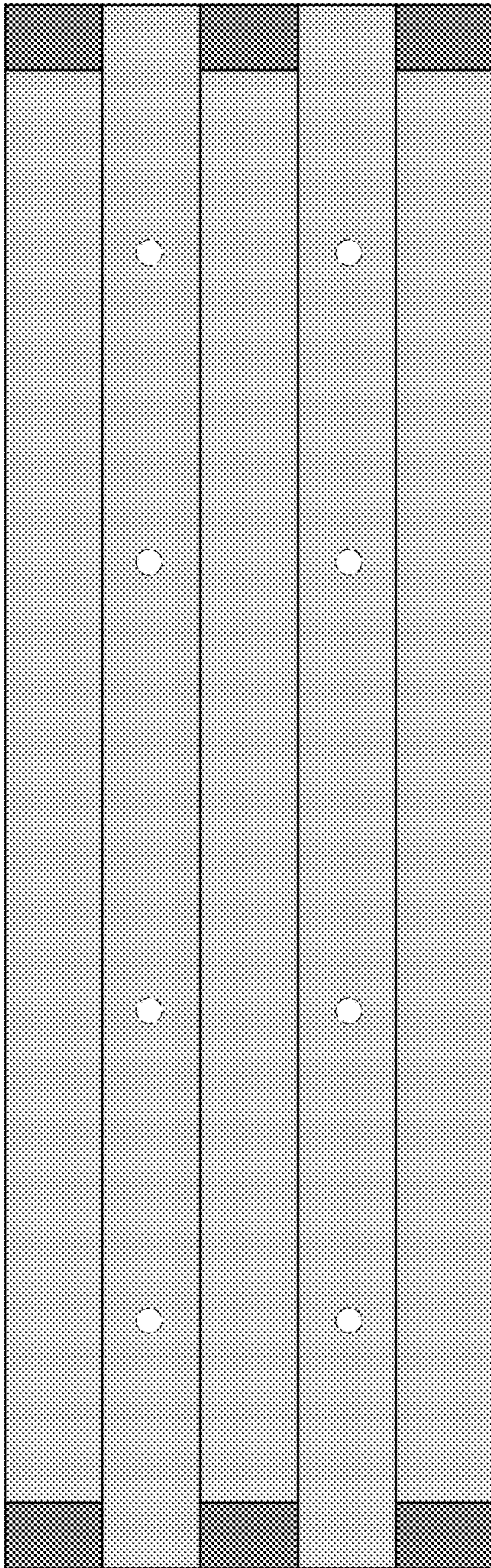


FIG. 15

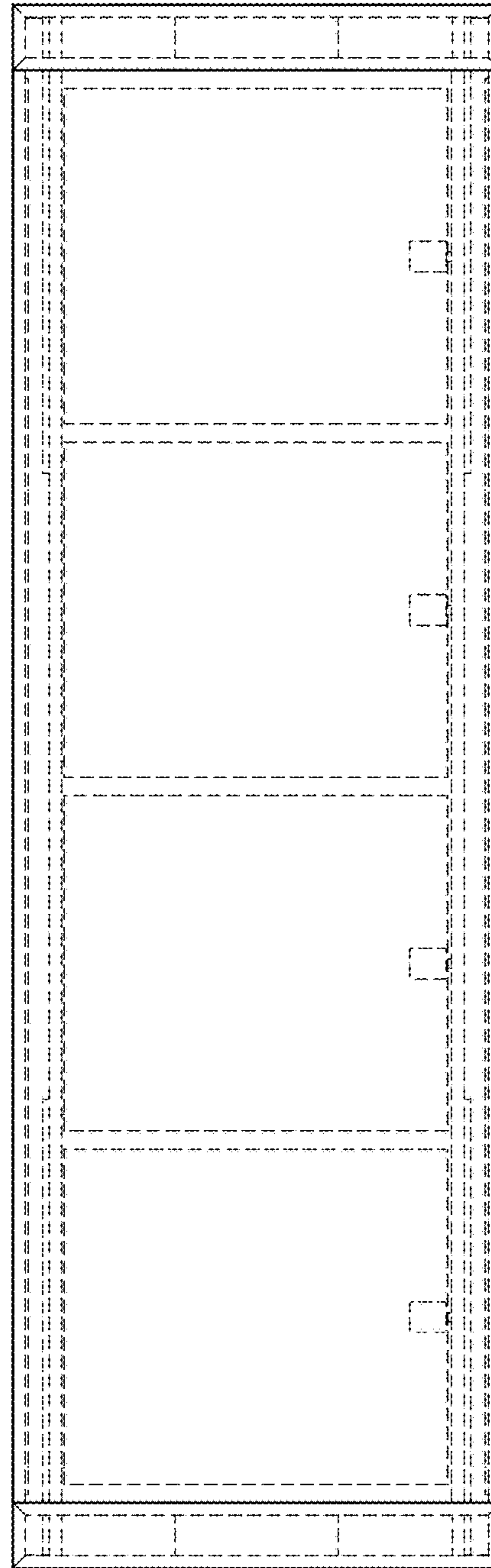


FIG. 16