

US00D810470S

(12) **United States Design Patent** (10) **Patent No.:** **US D810,470 S**
Petitpierre et al. (45) **Date of Patent:** **** Feb. 20, 2018**

(54) **INFLATABLE CUSHION** 6,691,337 B1 * 2/2004 Banks A47K 3/125
4/571.1
(71) Applicants: **Georges Petitpierre**, Saint-Légier-la 7,437,788 B1 * 10/2008 Holman A47G 9/10
Chiésaz (CH); **Séverine Meier**, 5/636
Chez-le-Bart (CH) D666,046 S * 8/2012 Xiong D6/601
8,763,180 B1 * 7/2014 Tsai A47G 9/1027
5/622
(72) Inventors: **Georges Petitpierre**, Saint-Légier-la D766,623 S * 9/2016 Thorn D6/604
Chiésaz (CH); **Séverine Meier**, D767,305 S * 9/2016 Thorn D6/604
Chez-le-Bart (CH) 9,615,682 B1 * 4/2017 Maddocks B60N 2/48
D800,480 S * 10/2017 Paperno D6/596
2013/0061856 A1 * 3/2013 Khademi A47C 7/383
128/845
(**) Term: **15 Years** 2013/0312192 A1 * 11/2013 Lee A47G 9/007
5/639
(21) Appl. No.: **35/502,076** 2015/0274044 A1 * 10/2015 Kreppin A47G 9/1081
5/636
(22) Filed: **Jun. 10, 2016** 2017/0065108 A1 * 3/2017 Thorn A47C 7/383

(80) **Hague Agreement Data**

Int. Filing Date: **Jun. 10, 2016**
Int. Reg. No.: **DM/091146**
Int. Reg. Date: **Jun. 10, 2016**
Int. Reg. Pub. Date: **Dec. 16, 2016**

(51) **LOC (11) Cl.** **06-09**

(52) **U.S. Cl.**
USPC **D6/604**

(58) **Field of Classification Search**
USPC D6/334, 595-601, 604; D21/803;
D24/183
CPC A47G 9/00; A47G 9/10; A47G 9/1027;
A47G 9/1081; A47G 2009/1018; A47C
4/54; A47C 7/021; A47C 7/022
See application file for complete search history.

(56) **References Cited**

U.S. PATENT DOCUMENTS

D300,694 S * 4/1989 Krok 5/655
D368,610 S * 4/1996 Shroitman D6/604

6,691,337 B1 * 2/2004 Banks A47K 3/125
4/571.1
7,437,788 B1 * 10/2008 Holman A47G 9/10
5/636
D666,046 S * 8/2012 Xiong D6/601
8,763,180 B1 * 7/2014 Tsai A47G 9/1027
5/622
D766,623 S * 9/2016 Thorn D6/604
D767,305 S * 9/2016 Thorn D6/604
9,615,682 B1 * 4/2017 Maddocks B60N 2/48
D800,480 S * 10/2017 Paperno D6/596
2013/0061856 A1 * 3/2013 Khademi A47C 7/383
128/845
2013/0312192 A1 * 11/2013 Lee A47G 9/007
5/639
2015/0274044 A1 * 10/2015 Kreppin A47G 9/1081
5/636
2017/0065108 A1 * 3/2017 Thorn A47C 7/383

* cited by examiner

Primary Examiner — Mary Ann Calabrese

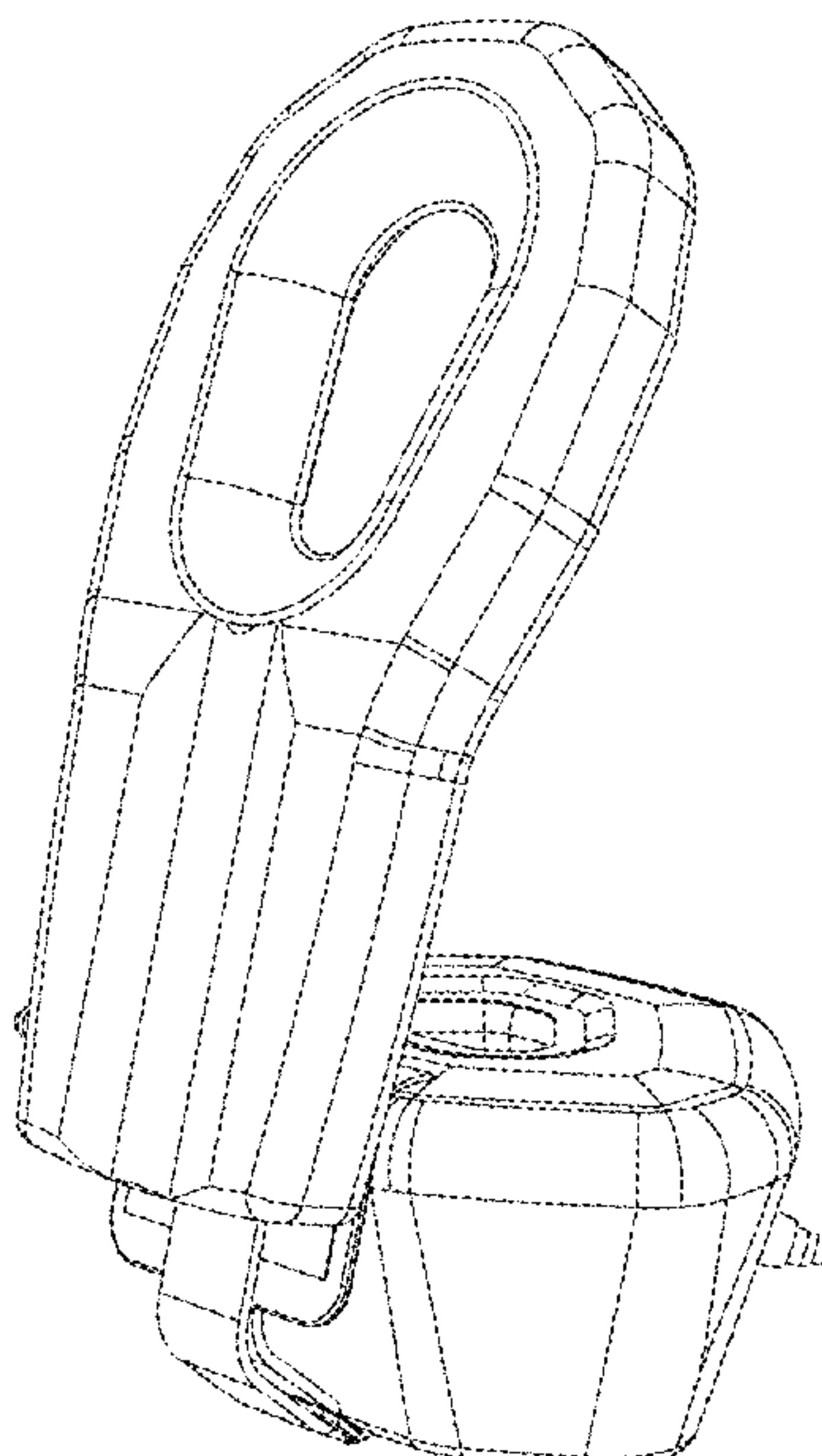
(57) **CLAIM**

The ornamental design for an inflatable cushion, as shown and described.

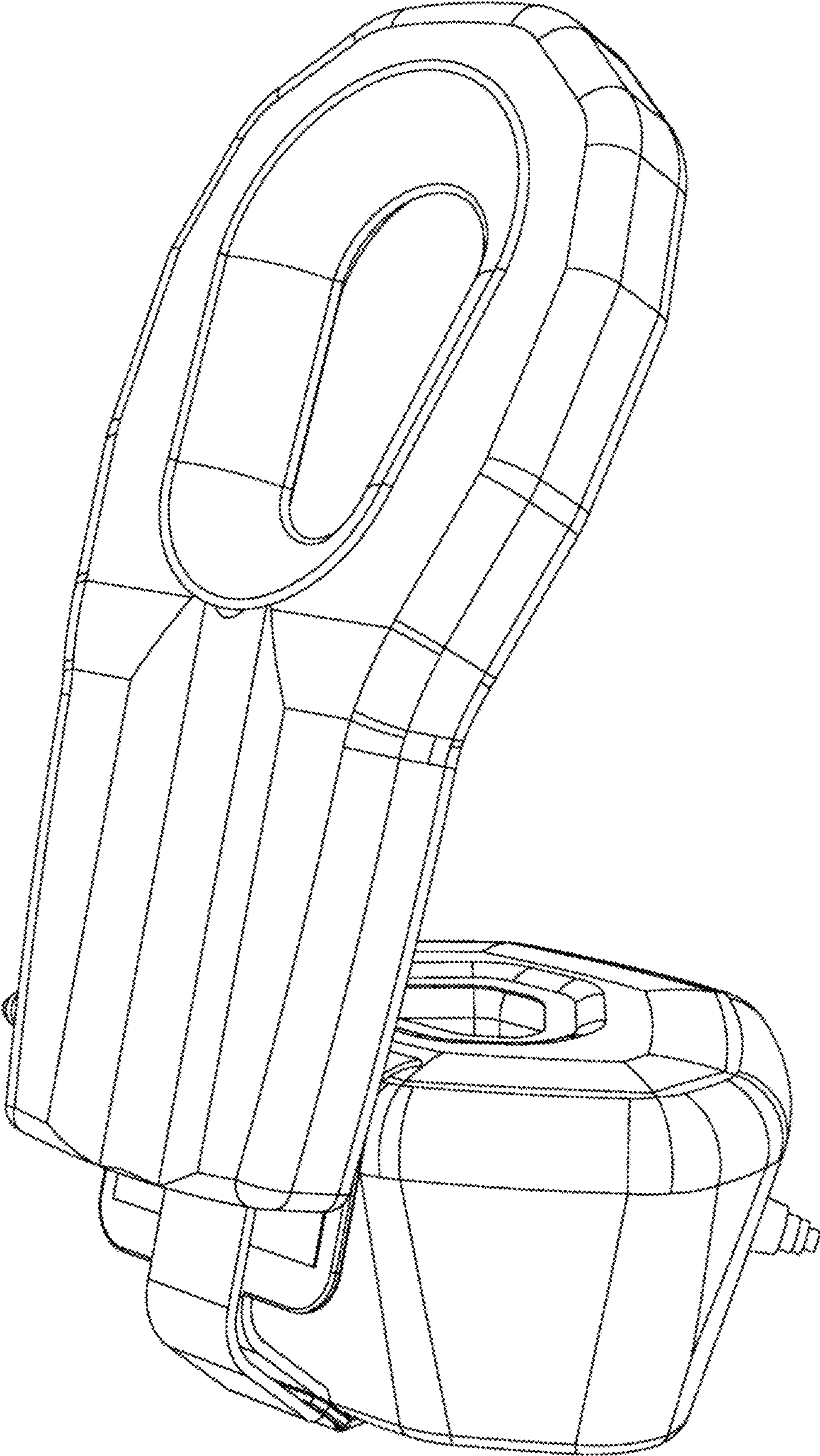
DESCRIPTION

- 1. Inflatable cushion
- 1.1 : Front Perspective
- 1.2 : Back Perspective
- 1.3 : Front
- 1.4 : Back
- 1.5 : Top
- 1.6 : Bottom
- 1.7 : Left
- 1.8 : Right
- 1.9 : Exploded Front Perspective
- 1.10 : Exploded Back Perspective

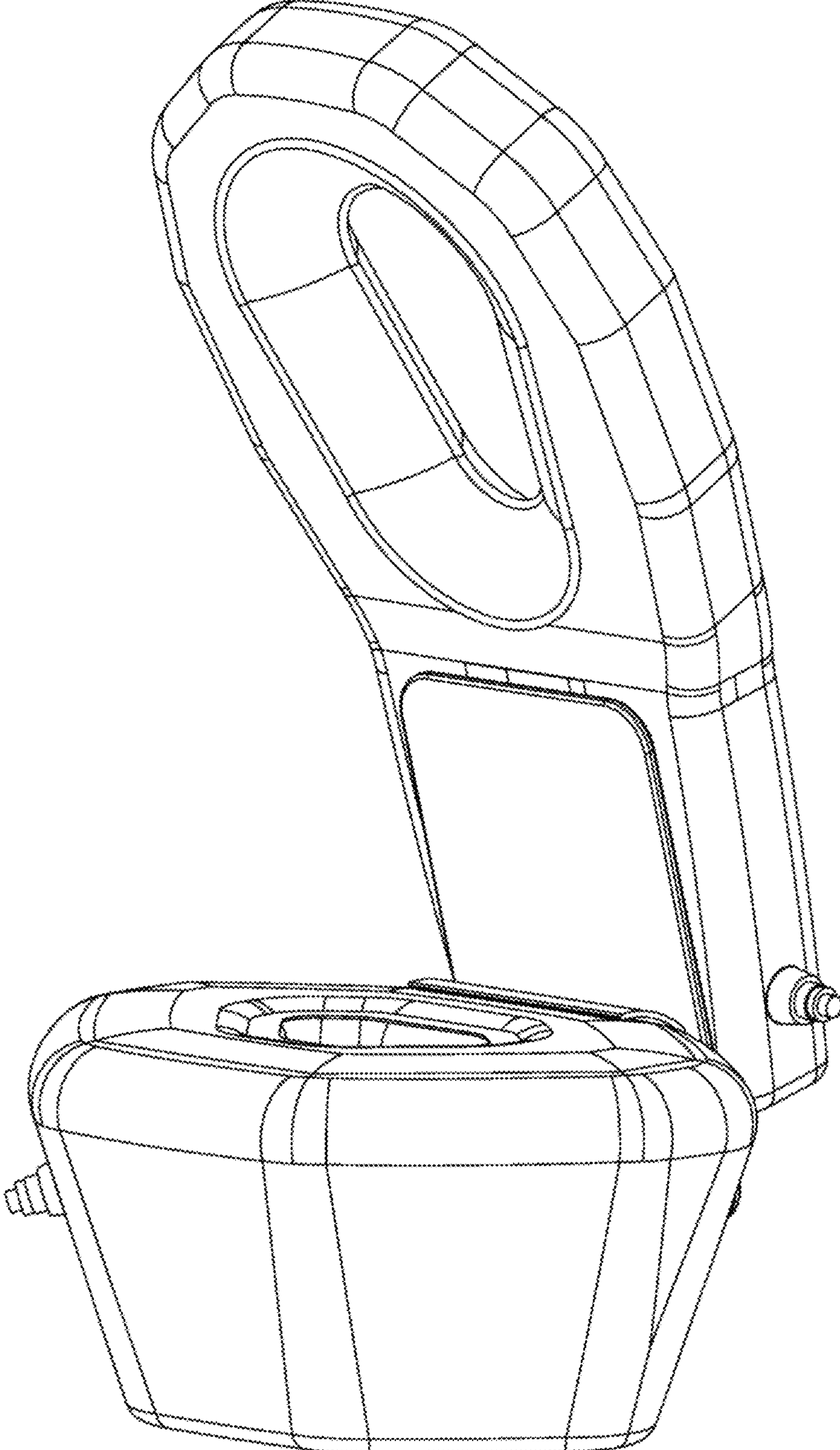
1 Claim, 10 Drawing Sheets



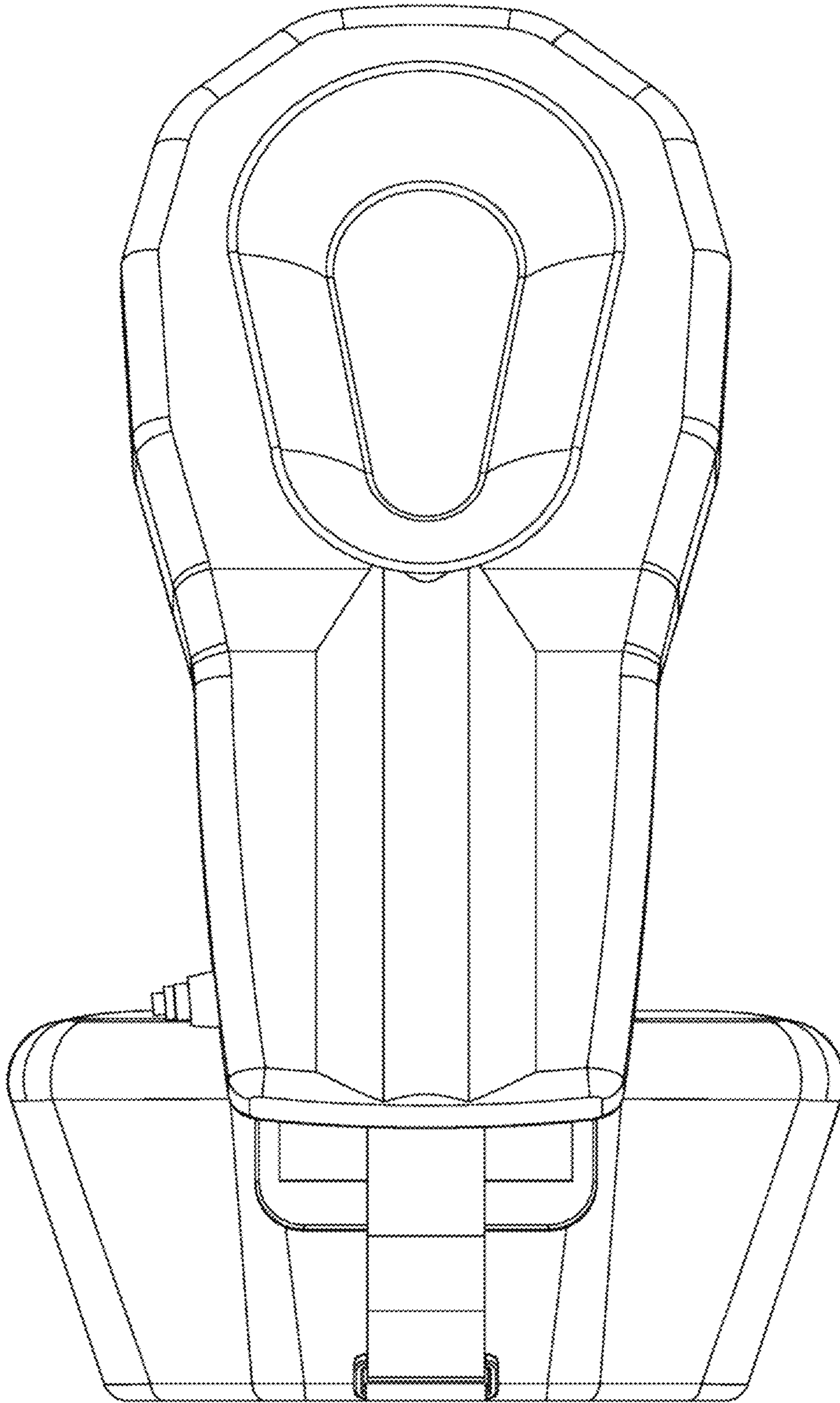
1.1



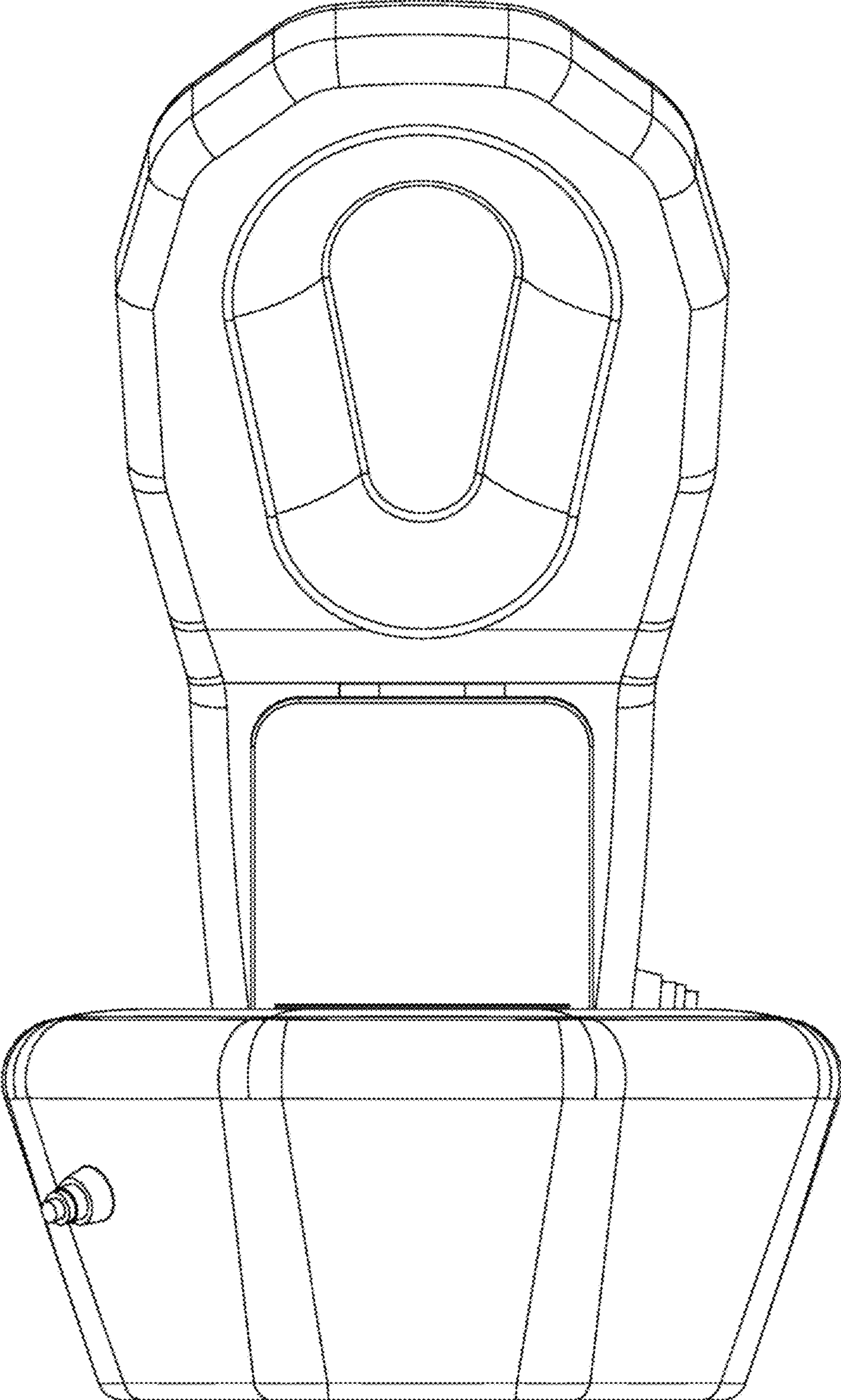
1.2



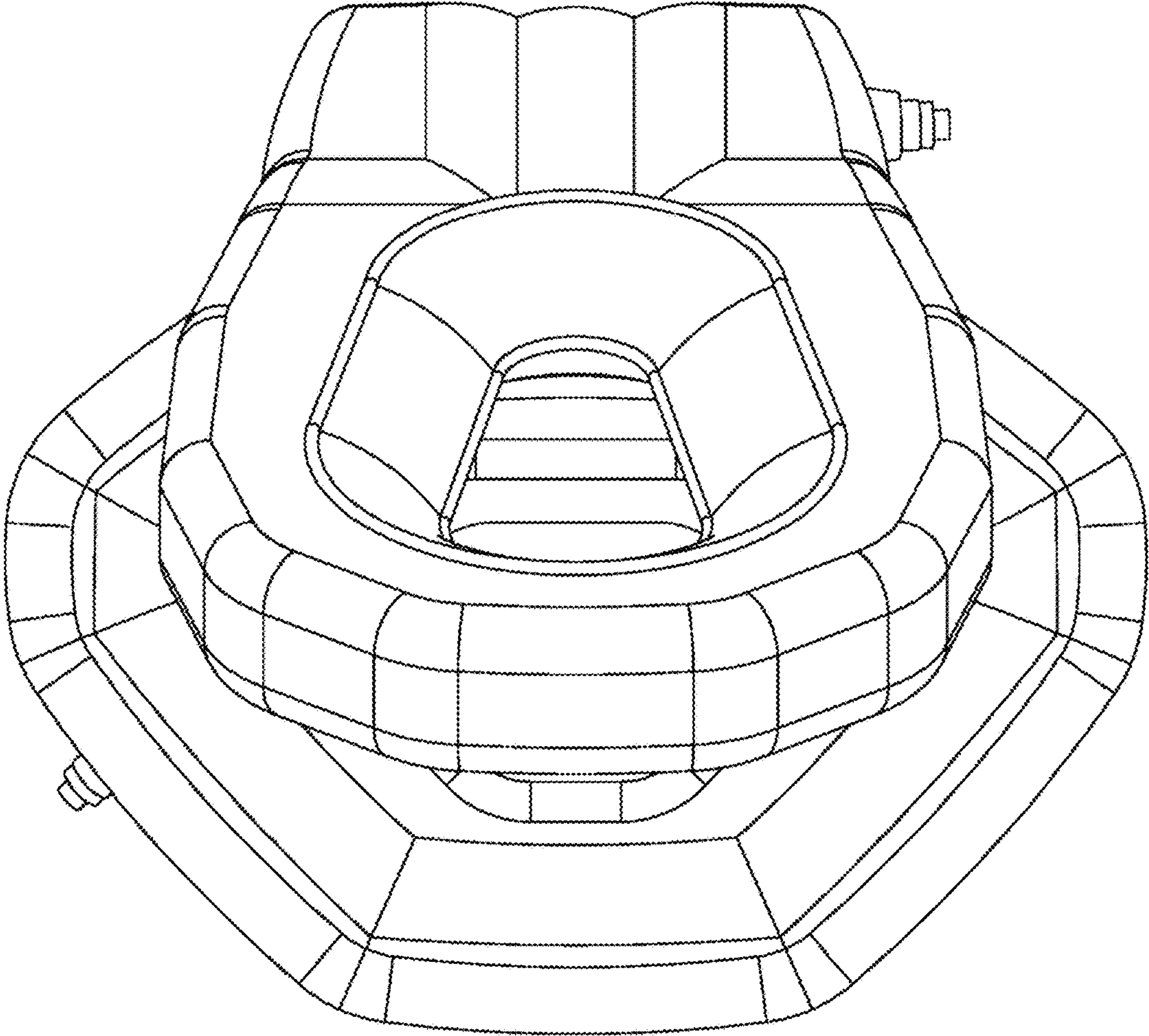
1.3



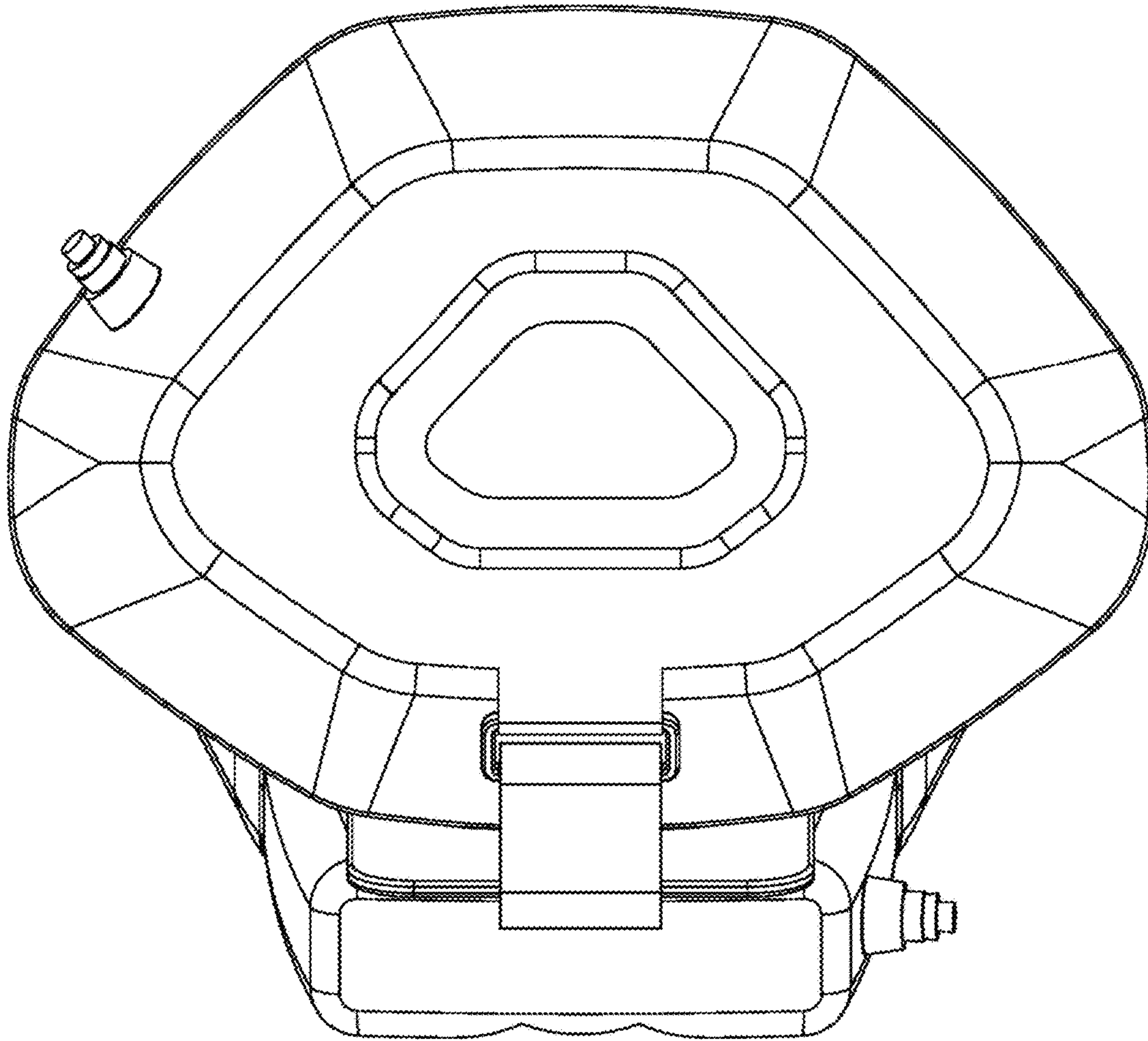
1.4



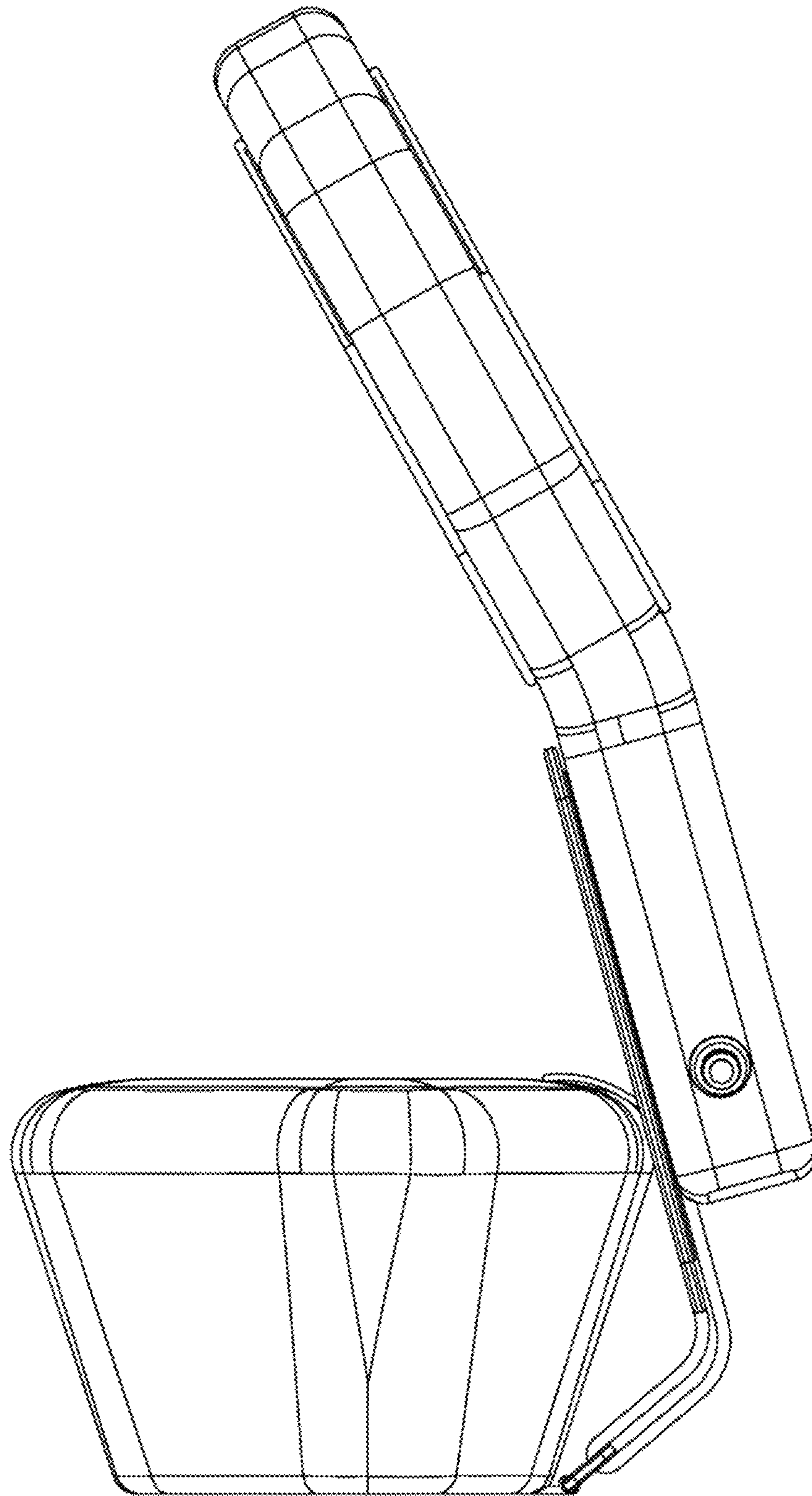
1.5



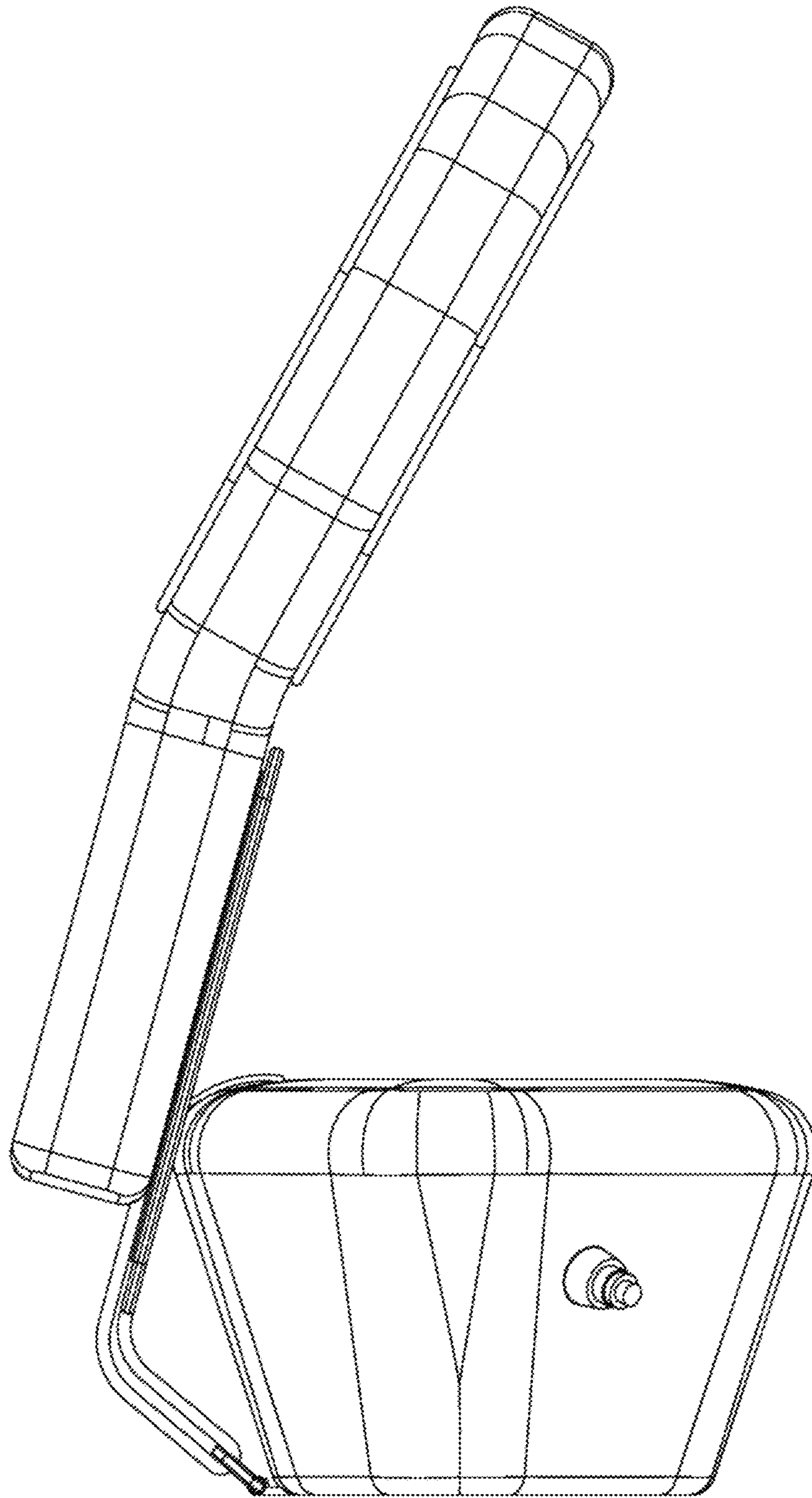
1.6



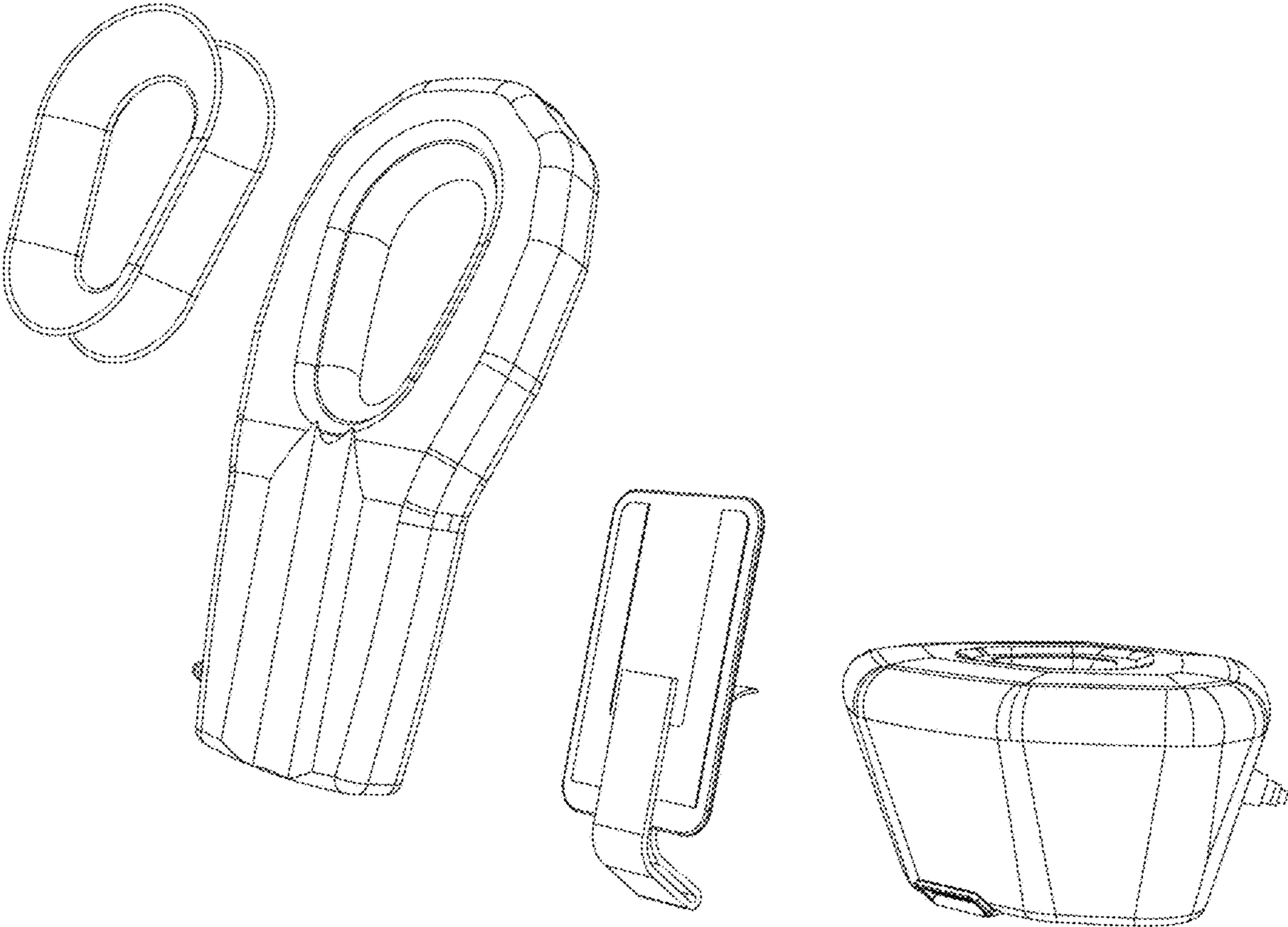
1.7



1.8



1.9



1.10

