



US00D810463S

(12) **United States Design Patent** (10) **Patent No.:** **US D810,463 S**
Kuo (45) **Date of Patent:** **** Feb. 20, 2018**

(54) **RACK BASE PLATE**

D798,631 S * 10/2017 Kuo D6/550

(71) Applicant: **Jerry Kuo-Yung Kuo**, Taichung (TW)

* cited by examiner

(72) Inventor: **Jerry Kuo-Yung Kuo**, Taichung (TW)

Primary Examiner — Mark Goodwin

(**) Term: **15 Years**

(74) *Attorney, Agent, or Firm* — Hamre, Schumann,
Mueller & Larson, P.C.

(21) Appl. No.: **29/584,602**

(57) **CLAIM**

(22) Filed: **Nov. 16, 2016**

The ornamental design for a rack base plate, as shown and described.

(51) **LOC (11) Cl.** **06-04**

(52) **U.S. Cl.**

DESCRIPTION

USPC **D6/550**

(58) **Field of Classification Search**

USPC D6/550, 518–524; D8/300, 349, 354,
D8/353, 355; D13/133, 137.1, 138.1,
D13/139.1, 147, 184, 199

CPC G01N 35/04; G01N 35/0092; B01L 9/06;
B01L 7/52; Y10T 436/113332

See application file for complete search history.

FIG. 1 is a perspective view of a rack base plate showing my new design;

FIG. 2 is a front elevational view thereof;

FIG. 3 is a rear elevational view thereof;

FIG. 4 is a left side elevational view thereof;

FIG. 5 is a right side elevational view thereof;

FIG. 6 is a top plan view thereof;

FIG. 7 is a bottom plan view thereof;

FIG. 8 is another perspective view thereof;

FIG. 9 is a rear elevational view of the design in a state of use; and,

FIG. 10 is an enlarged sectional view taken along line 10-10 of FIG. 9.

The broken lines shown in FIGS. 9 and 10 are for illustrating environment only and form no part of the claimed design.

(56) **References Cited**

U.S. PATENT DOCUMENTS

D559,083 S * 1/2008 Brassard D8/354

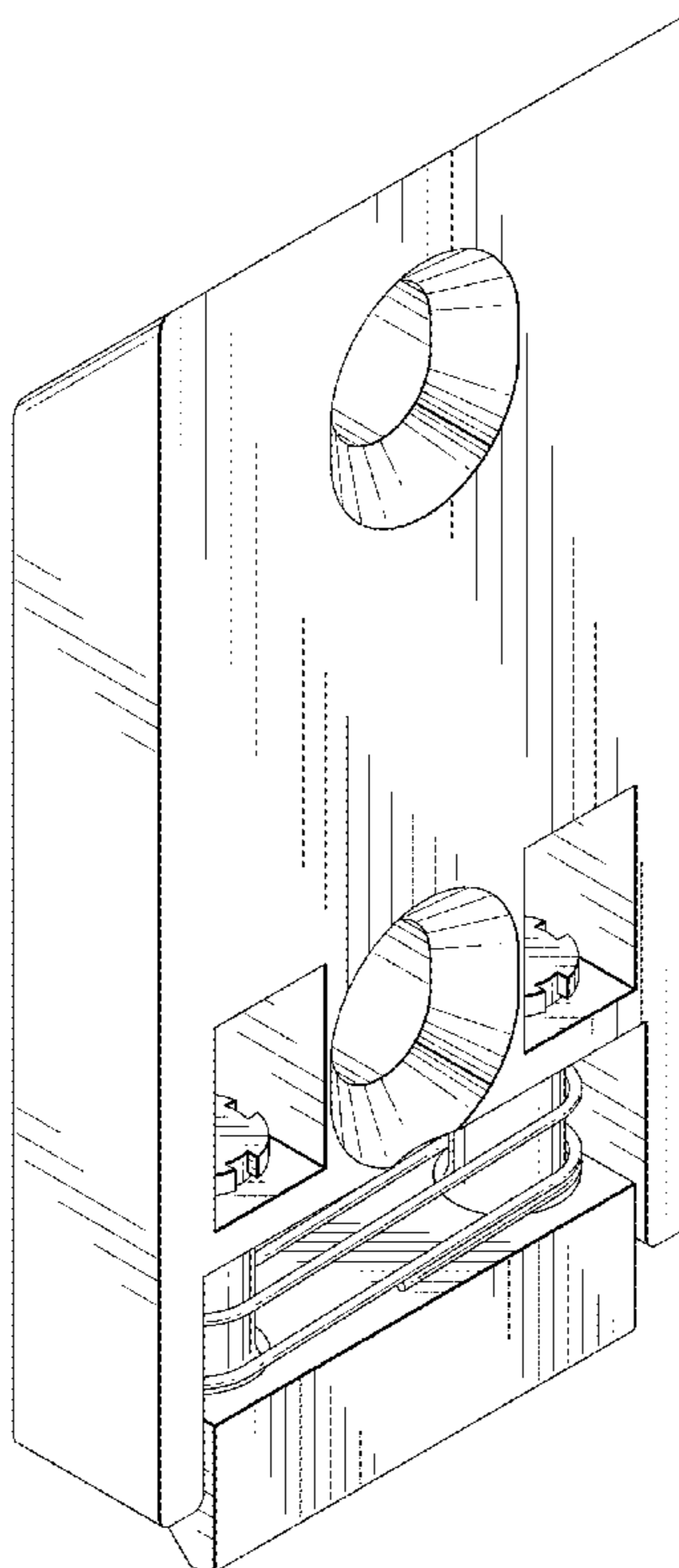
8,430,369 B2 * 4/2013 Hsu A47K 10/04
211/105.1

D760,064 S * 6/2016 Aispuro D8/350

D767,378 S * 9/2016 Sehl D8/373

D782,281 S * 3/2017 Kuo D8/349

1 Claim, 9 Drawing Sheets



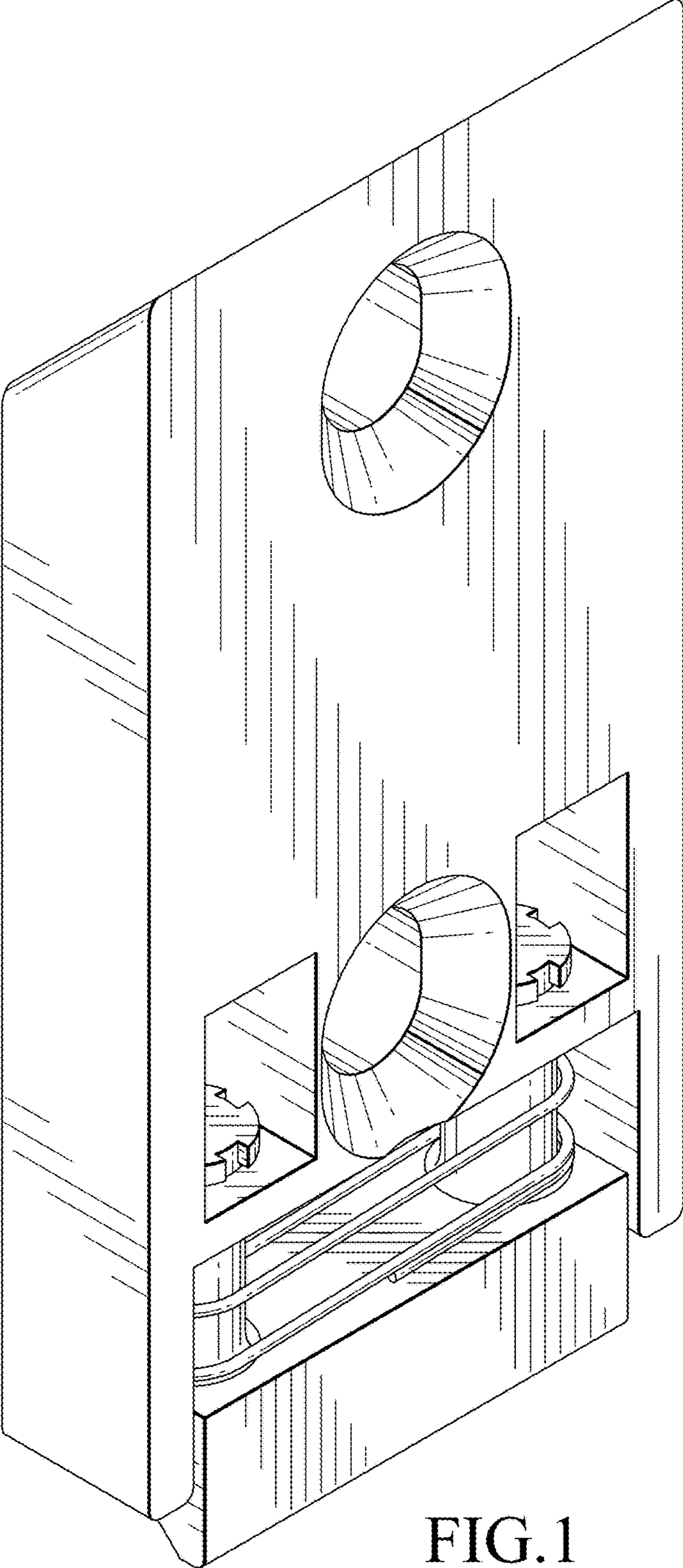


FIG. 1

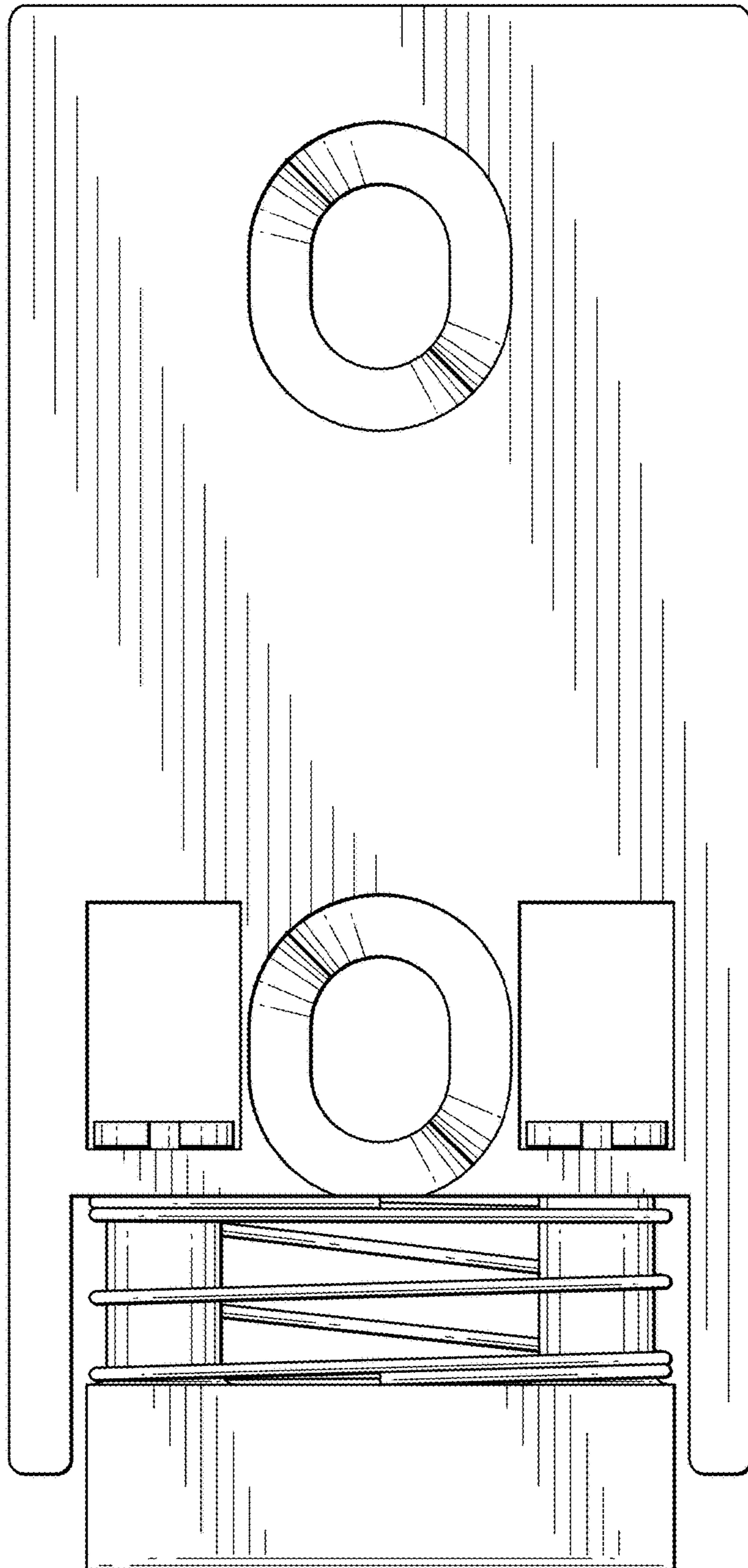


FIG. 2

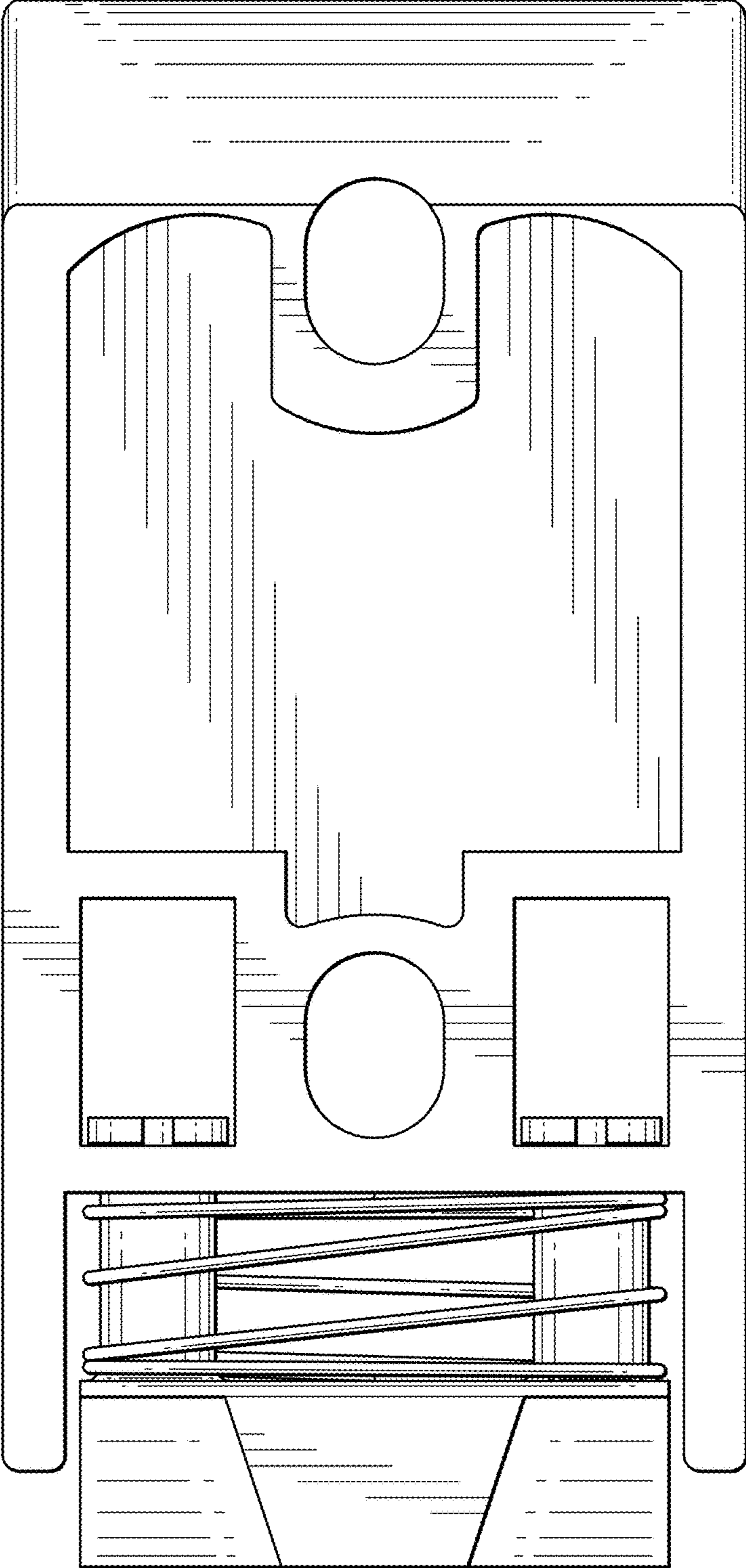


FIG.3

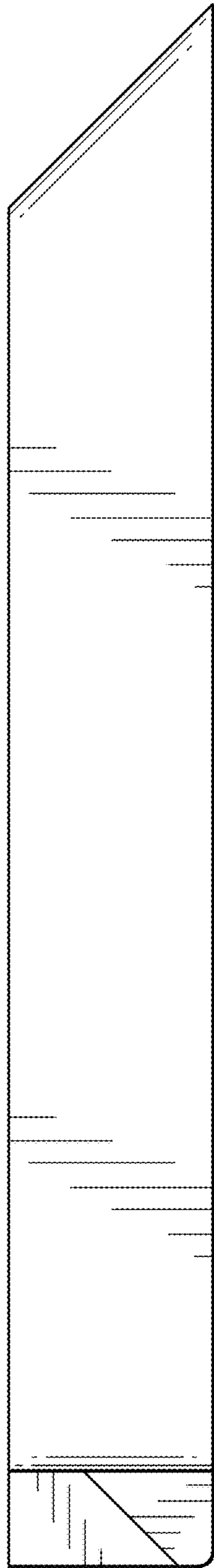


FIG.4

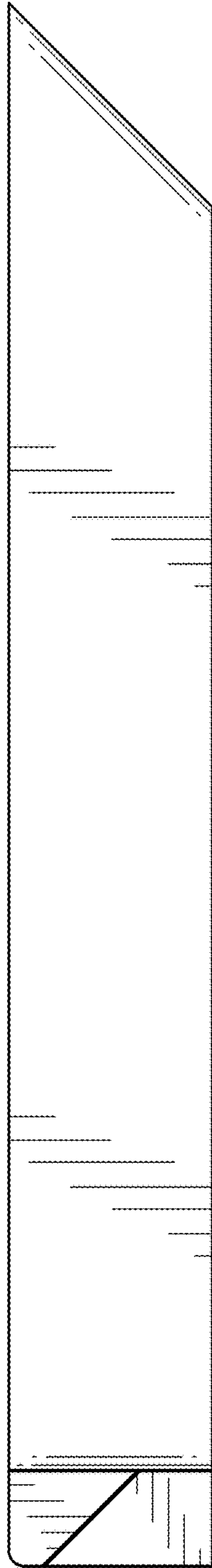


FIG. 5

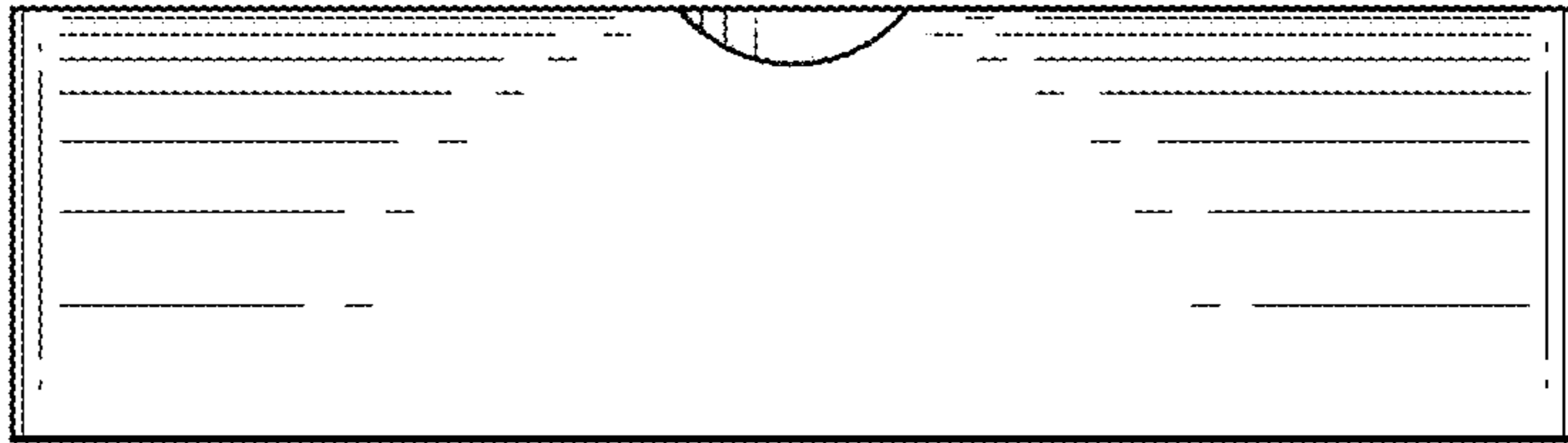


FIG. 6

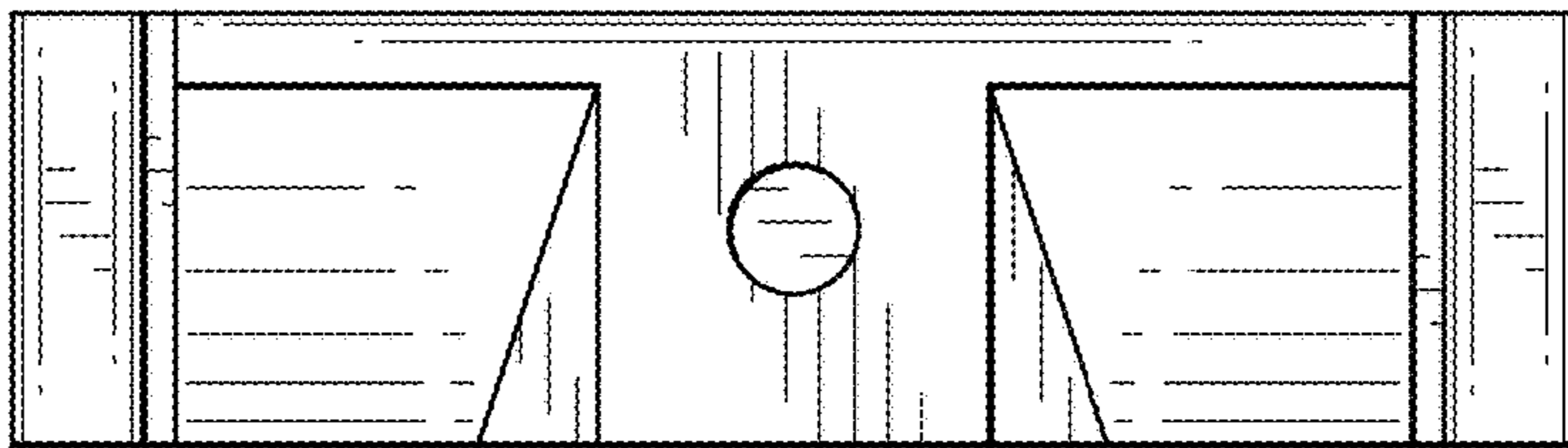


FIG. 7

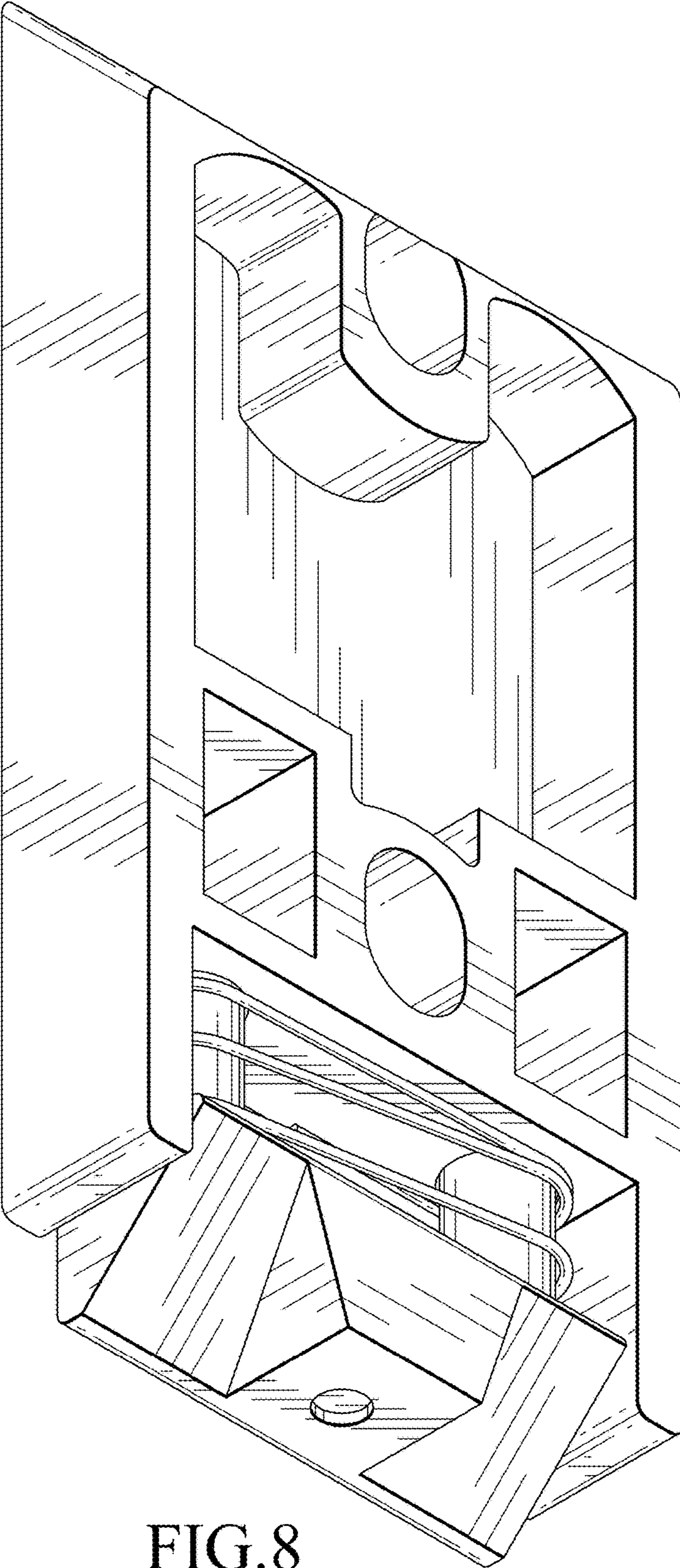


FIG. 8

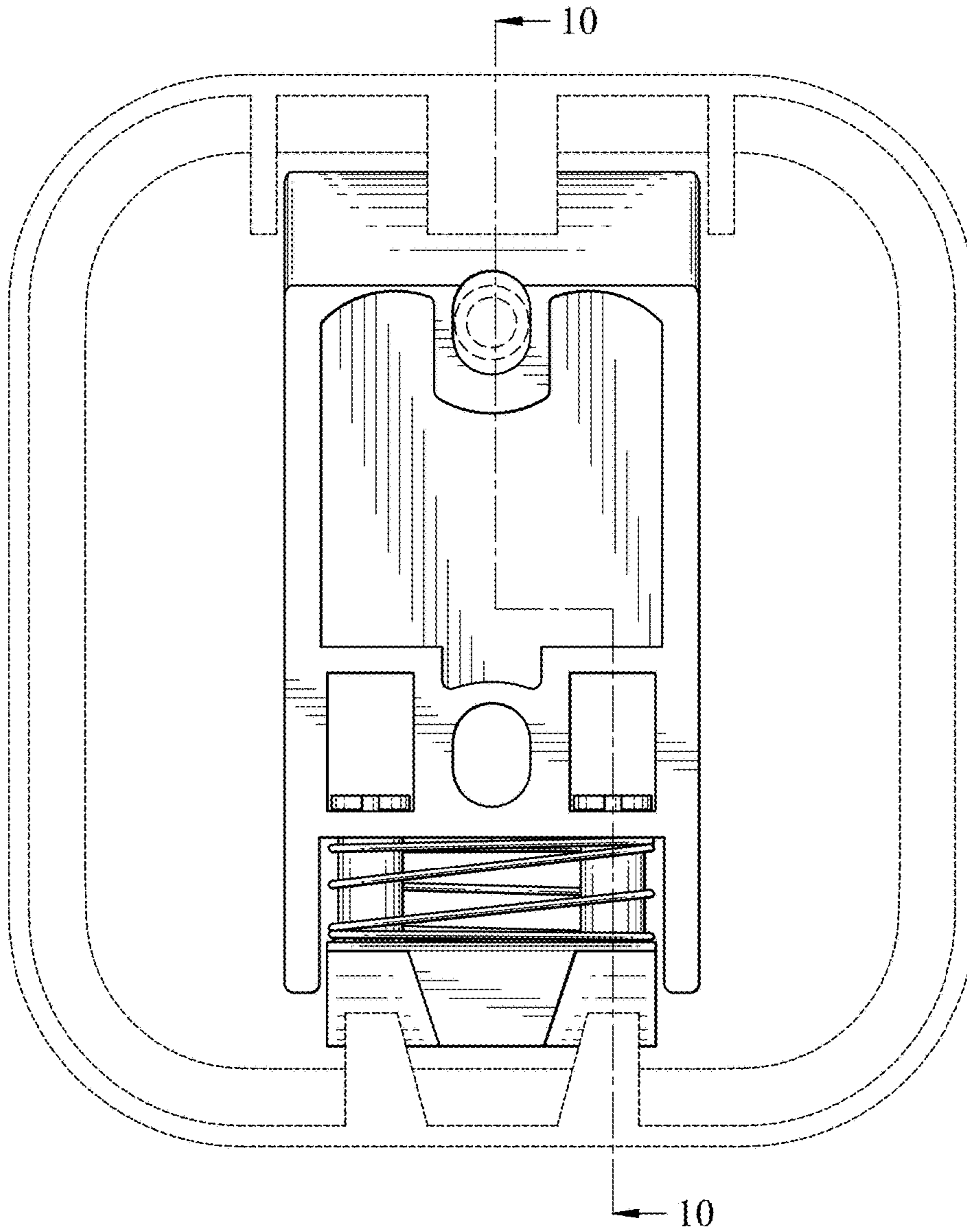


FIG. 9

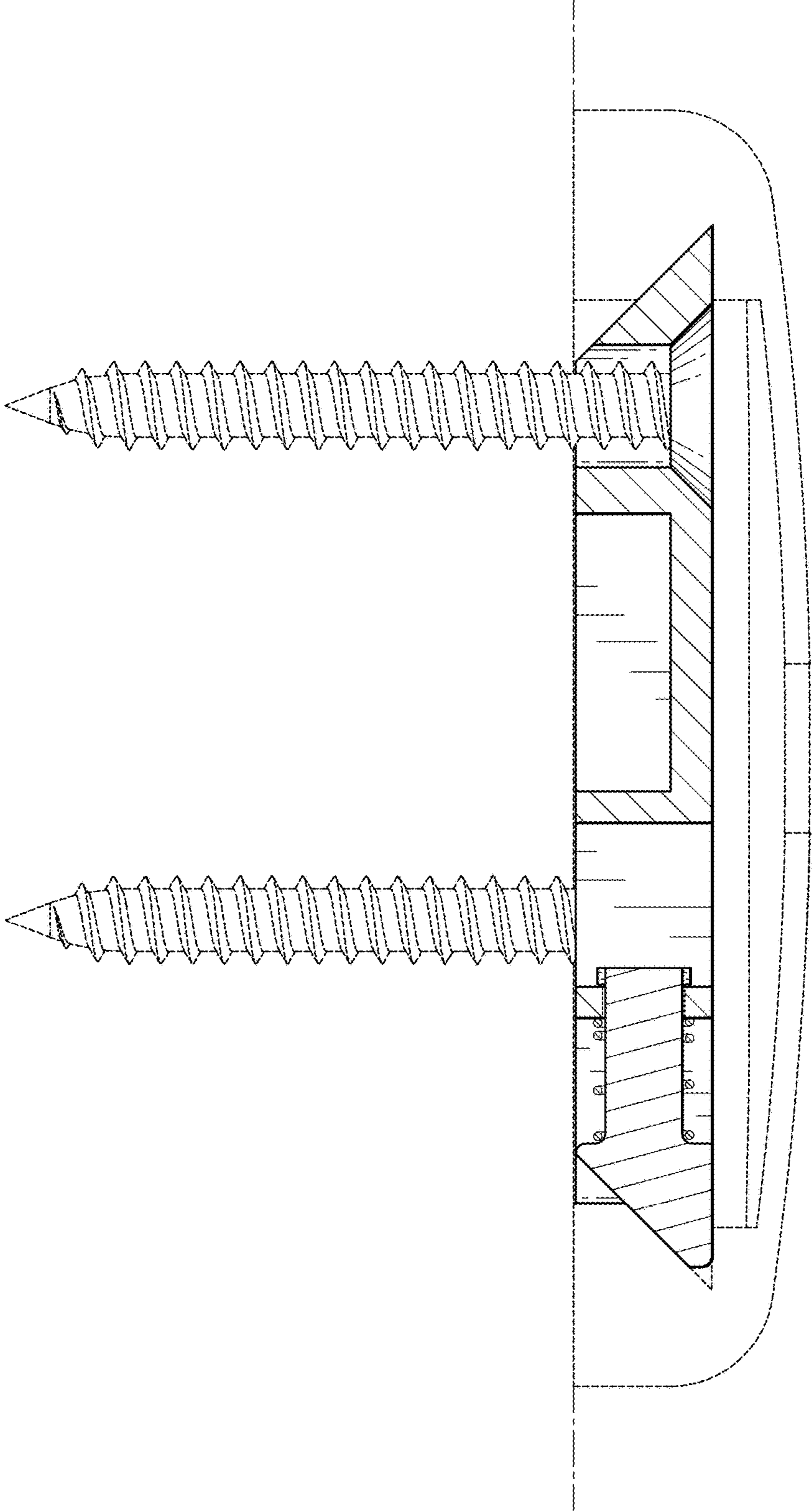


FIG.10