



US00D810461S

(12) **United States Design Patent** (10) **Patent No.:** **US D810,461 S**
Bahler (45) **Date of Patent:** **** Feb. 20, 2018**

(54) **SOAP DISPENSER**

(71) Applicant: **DELTA FAUCET COMPANY**,
Indianapolis, IN (US)

(72) Inventor: **Jordan Bahler**, Frankfort, IN (US)

(73) Assignee: **DELTA FAUCET COMPANY**,
Indianapolis, IN (US)

(**) Term: **15 Years**

(21) Appl. No.: **29/582,123**

(22) Filed: **Oct. 25, 2016**

(51) **LOC (11) Cl.** **23-02**

(52) **U.S. Cl.**
USPC **D6/542**

(58) **Field of Classification Search**
USPC D6/542, 512, 524, 543, 544, 545;
D9/448, 682, 688; 221/14, 62, 146.3,
221/173, 181.1, 181.3, 251, 282
CPC A47G 19/24; A47G 21/12; B65D 83/267;
B65D 23/003; B67D 3/0029; A47F 1/085;
A47K 5/02; A47K 5/1202; A47K 5/14;
A47K 5/1211; A47K 5/12; A47K 5/1205;
A47K 5/1207; B05B 7/005; B05B
11/3087; B05B 7/3047; B05B 11/3001;
C11D 17/08

See application file for complete search history.

(56) **References Cited**

U.S. PATENT DOCUMENTS

D479,779 S *	9/2003	Zhao	D6/542
D531,441 S *	11/2006	Soriano	D6/542
D607,679 S *	1/2010	Chen	D6/542
D702,455 S *	4/2014	Garland	D6/542

* cited by examiner

Primary Examiner — Wan Laymon

Assistant Examiner — Mark Booker

(74) *Attorney, Agent, or Firm* — Edgar A. Zarins; Nirav D. Parikh

(57) **CLAIM**

The ornamental design for a soap dispenser, as shown and described.

DESCRIPTION

FIG. 1 is a perspective view of a soap dispenser showing my new design;

FIG. 2 is a top plan view thereof;

FIG. 3 is a bottom view thereof;

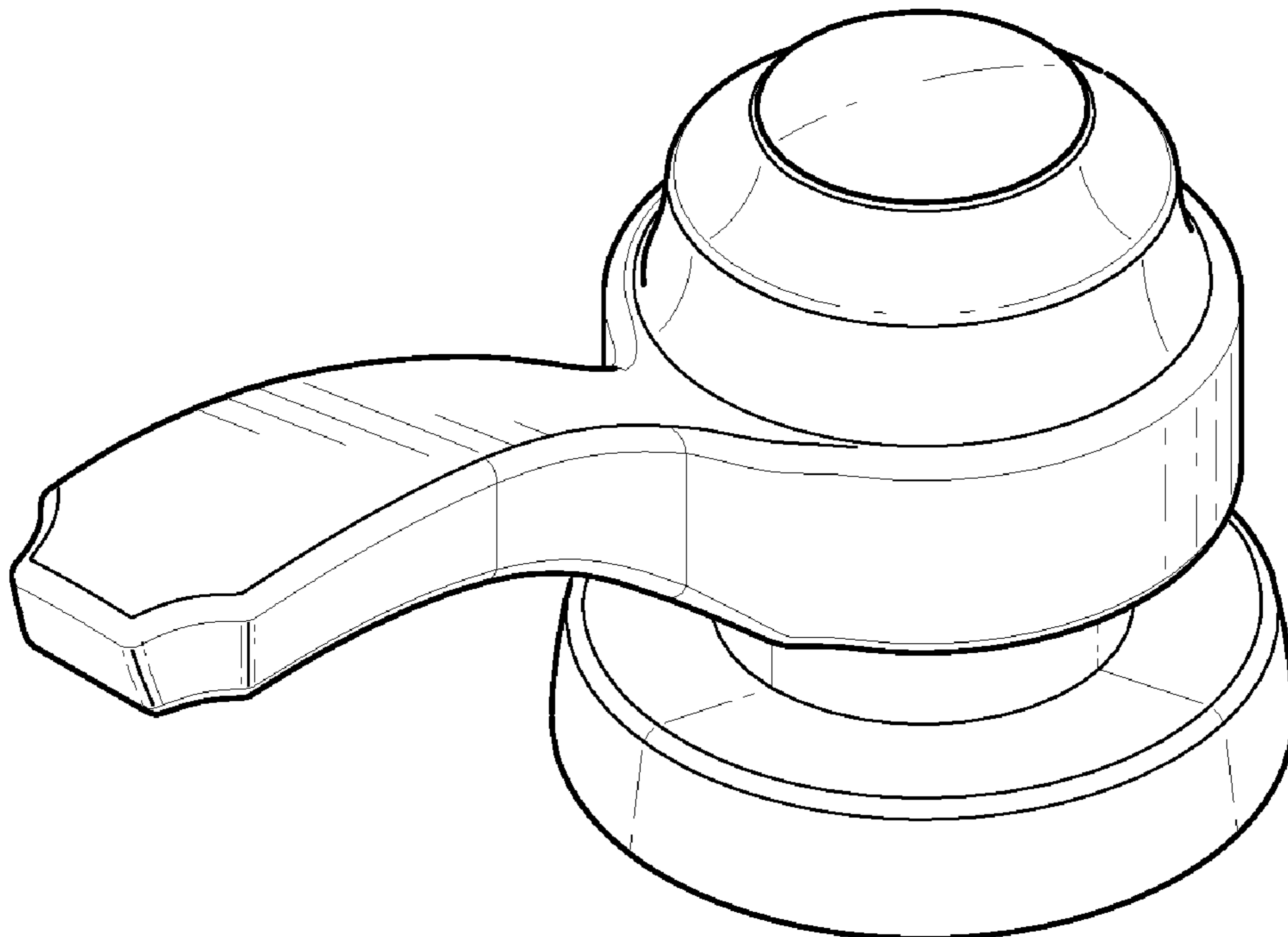
FIG. 4 is a left side view thereof, the opposite side being a mirror image of the side shown;

FIG. 5 is a front elevational view thereof; and,

FIG. 6 is a rear view thereof.

The broken line showing in the figures is included for the purpose of illustrating portions of the soap dispenser and form no part of the claimed design.

1 Claim, 2 Drawing Sheets



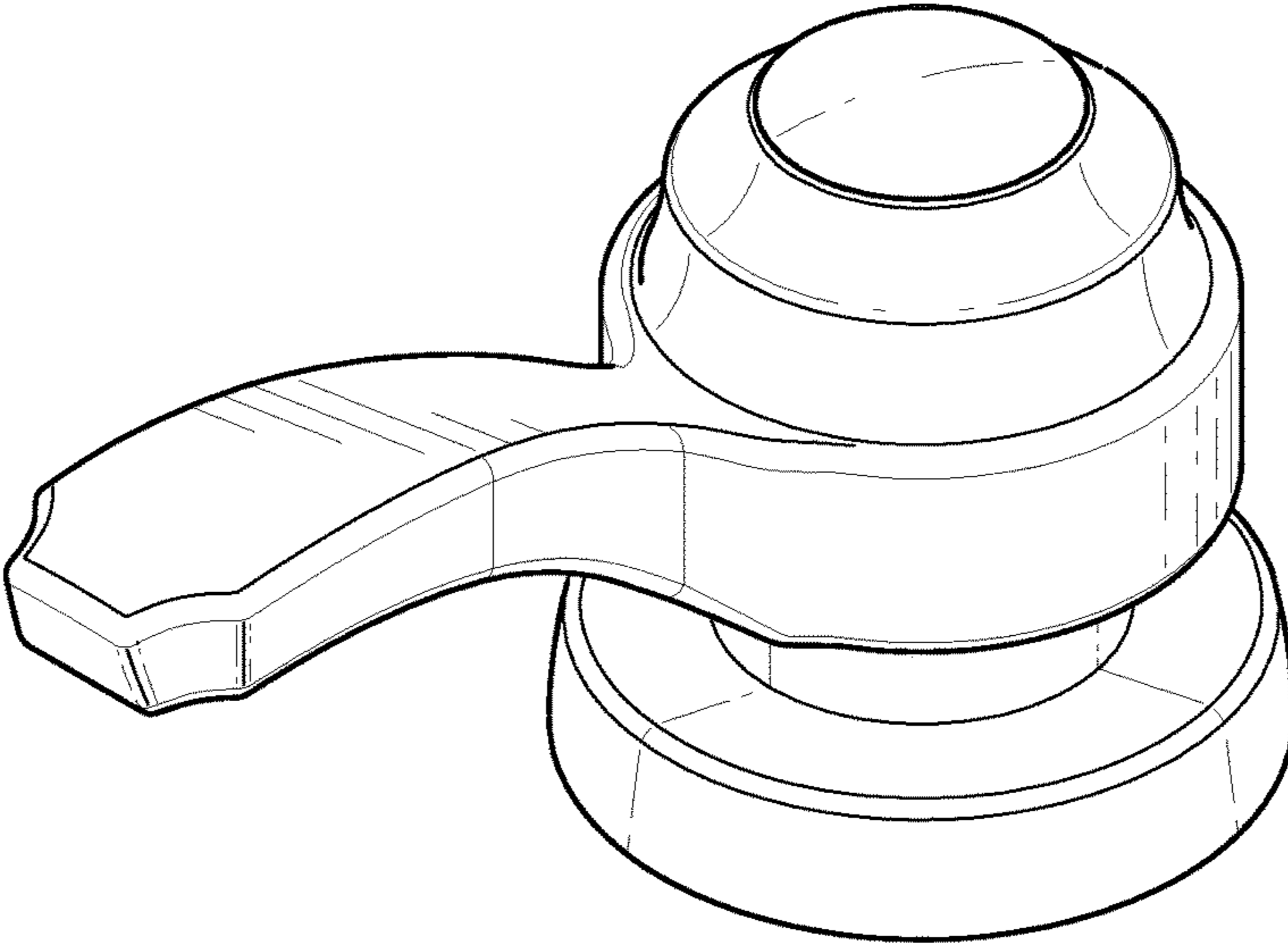


Fig-1

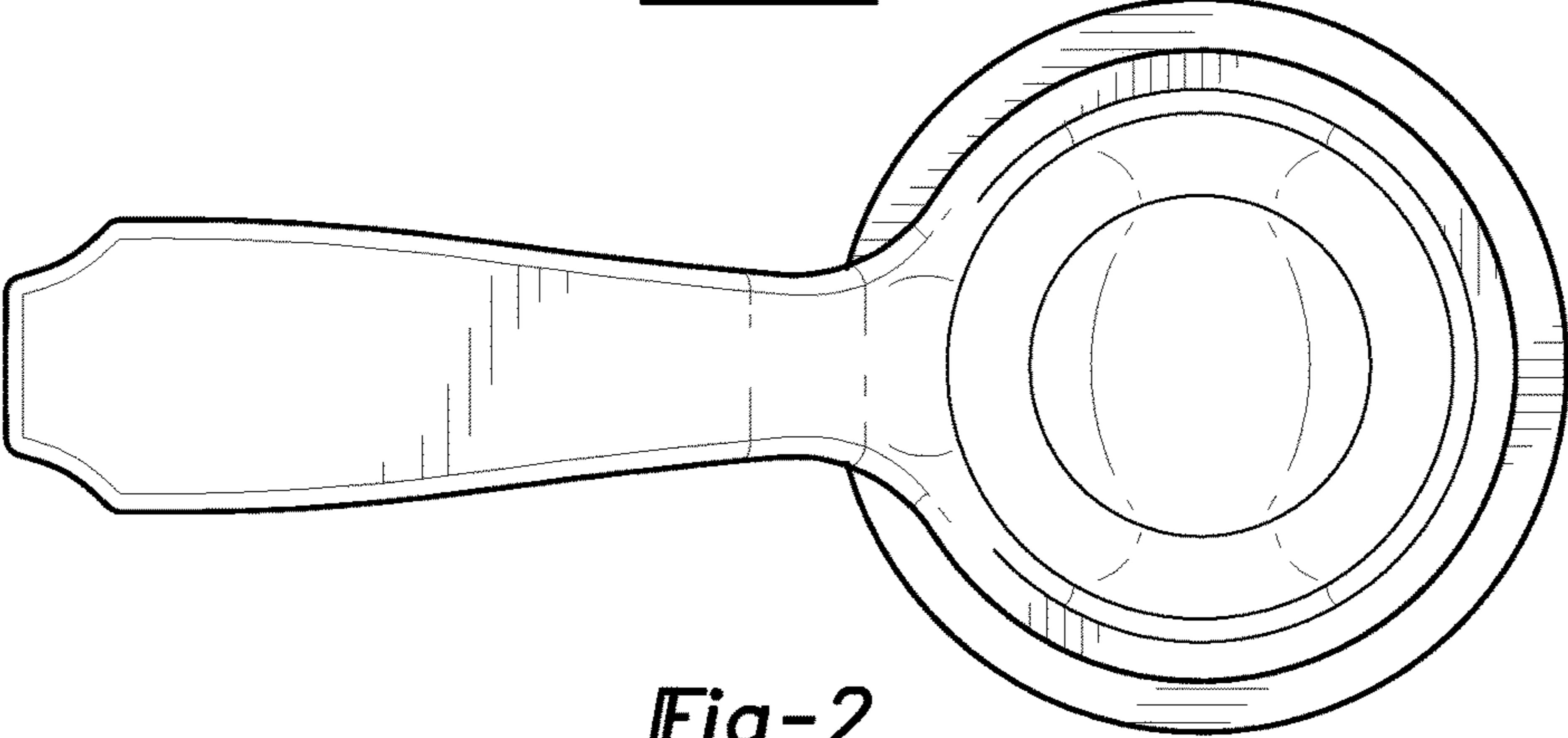


Fig-2

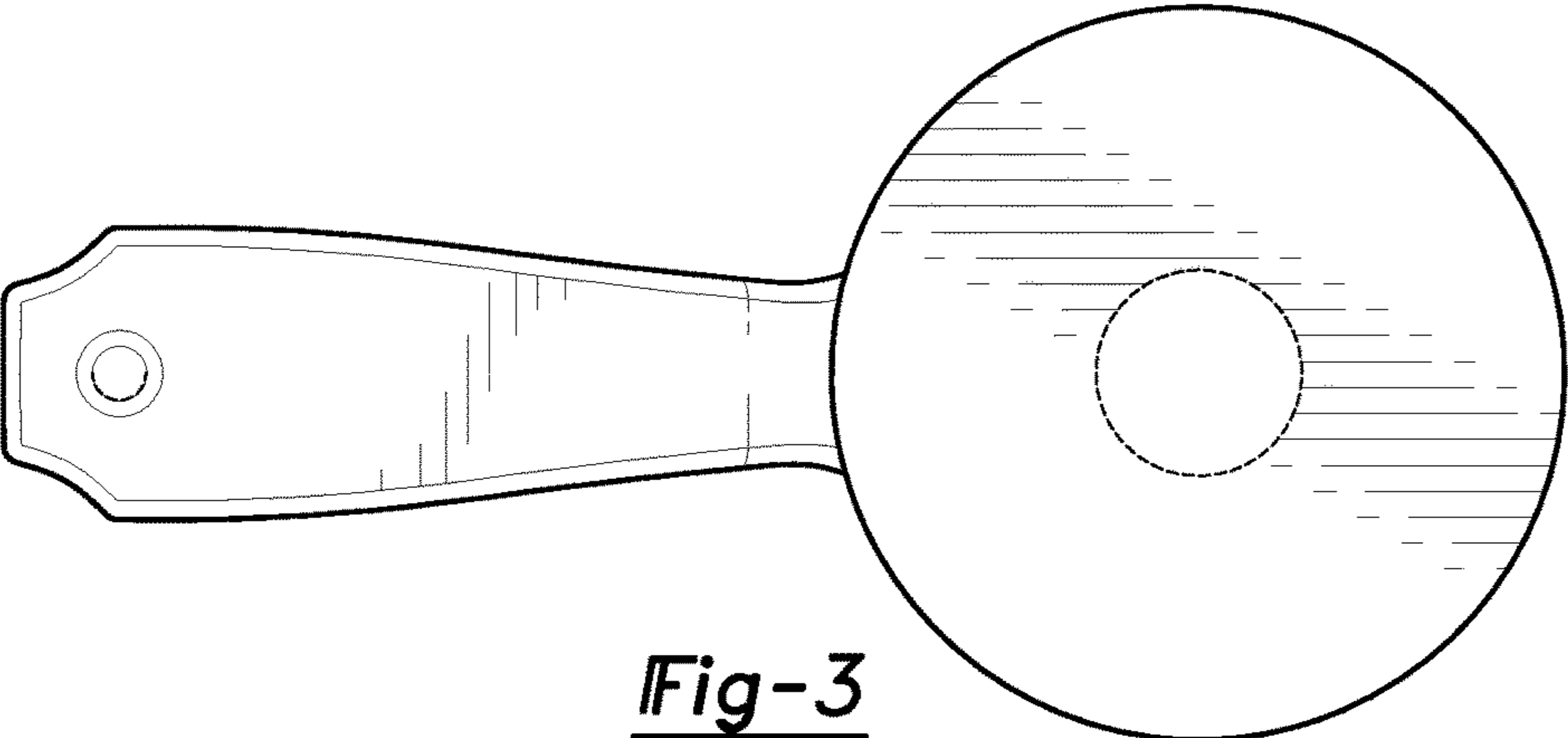


Fig-3

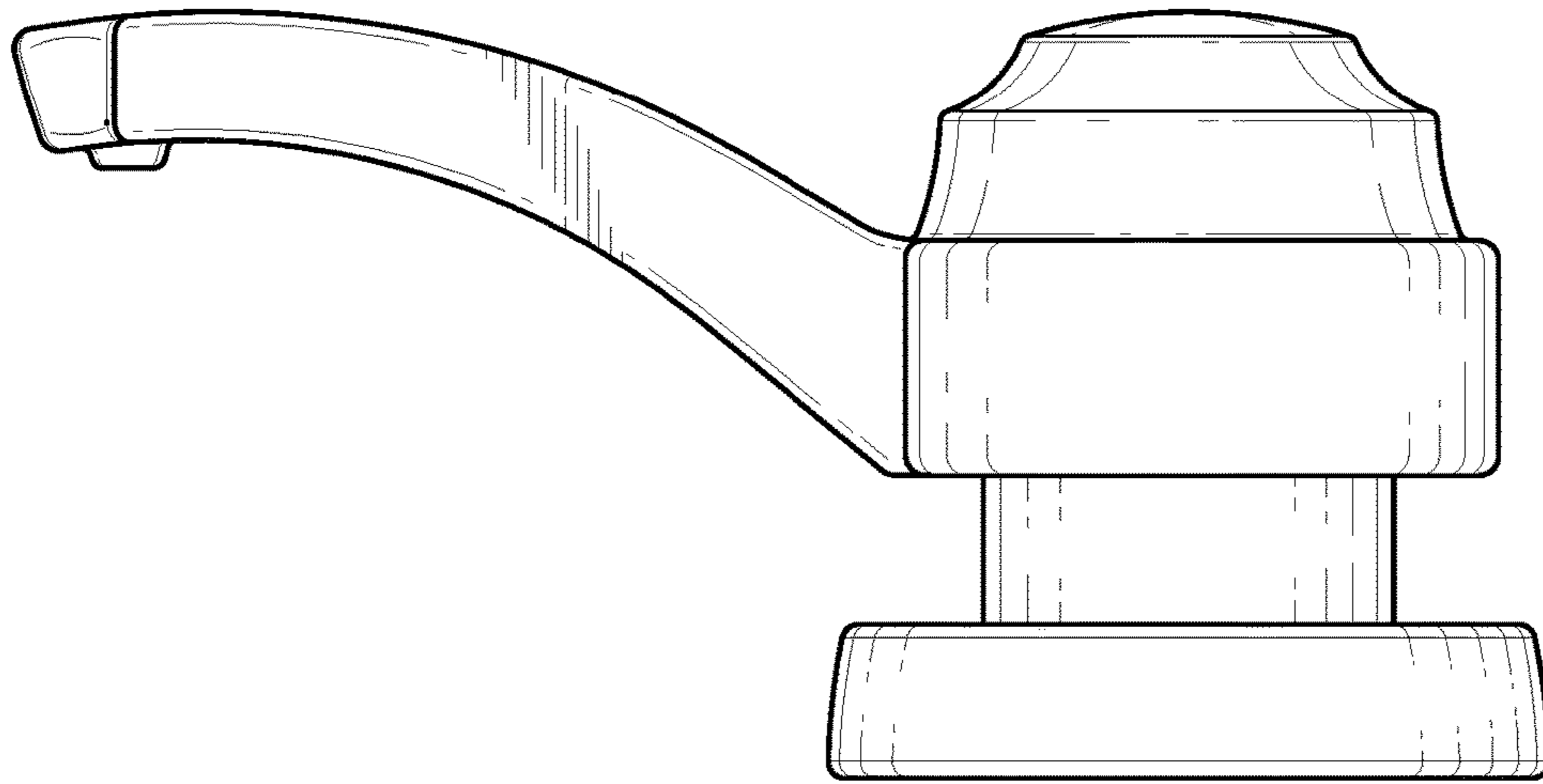


Fig-4

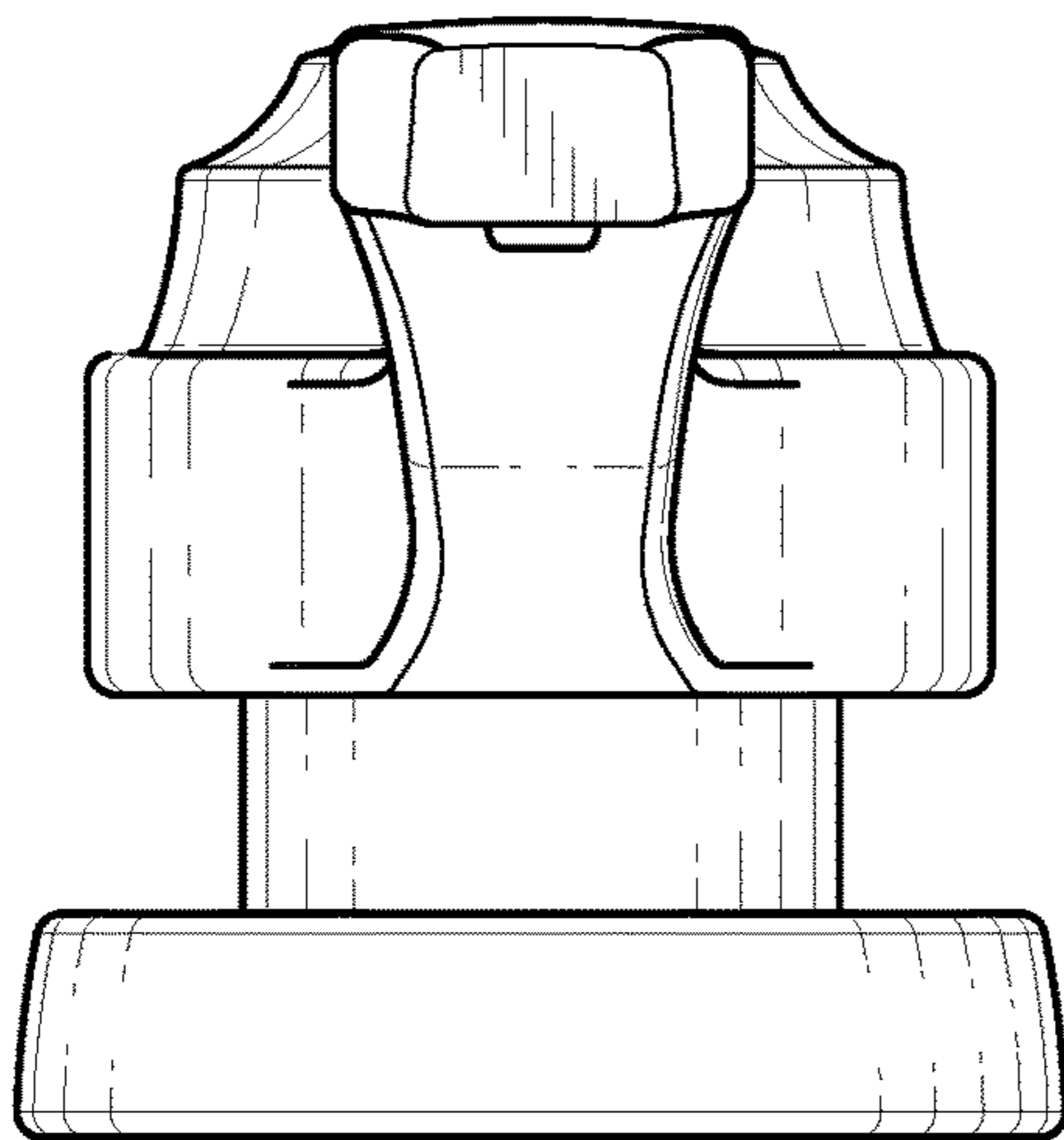


Fig-5

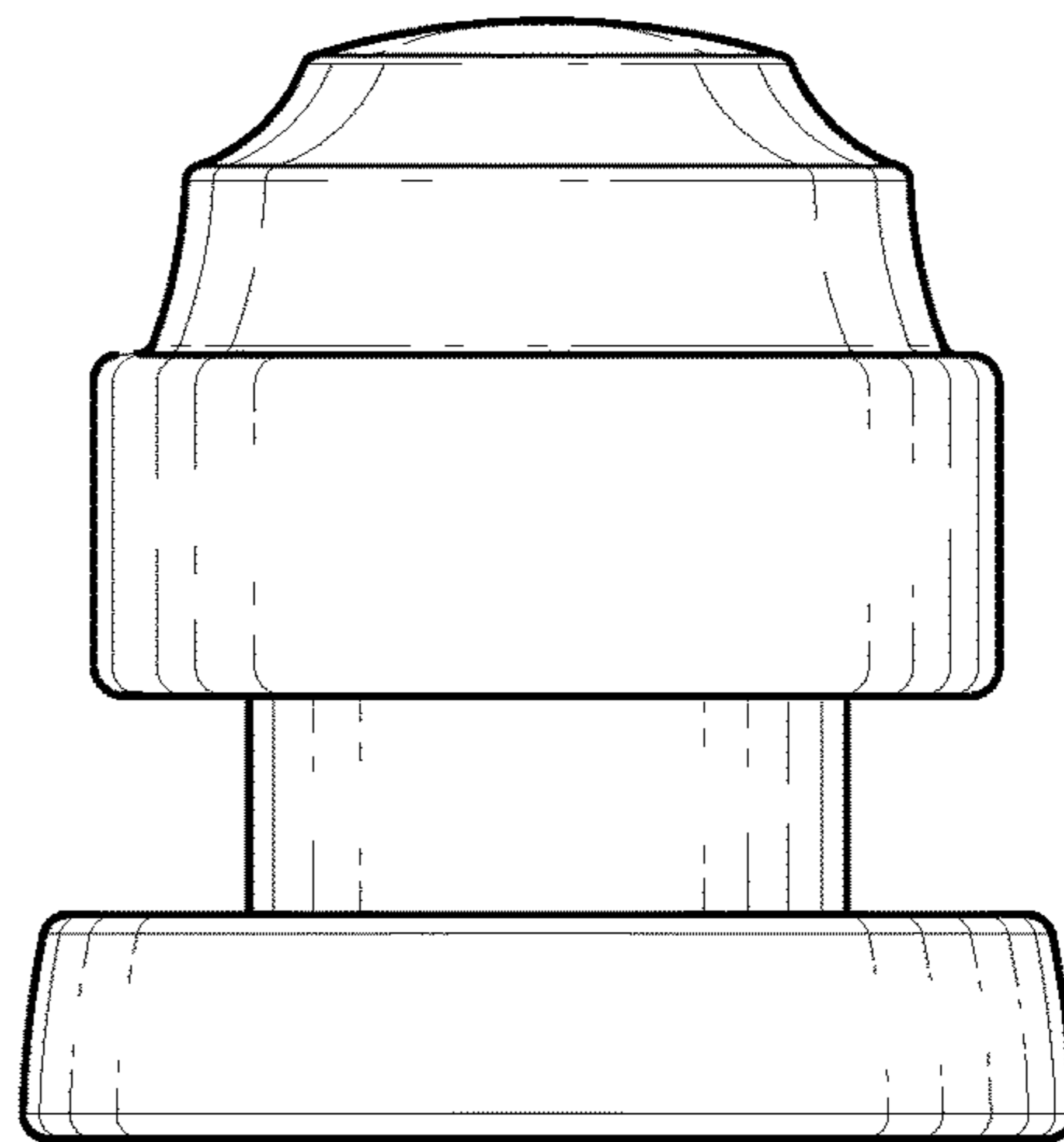


Fig-6