



US00D810454S

(12) **United States Design Patent**  
**Westfall**

(10) **Patent No.:** **US D810,454 S**

(45) **Date of Patent:** **\*\* Feb. 20, 2018**

(54) **LOUNGE CHAIR**

(71) Applicant: **Christopher Alan Westfall**, Redwood City, CA (US)

(72) Inventor: **Christopher Alan Westfall**, Redwood City, CA (US)

(73) Assignee: **Christopher Westfall**, Redwood City, CA (US)

(\*\*) Term: **15 Years**

(21) Appl. No.: **29/505,889**

(22) Filed: **Mar. 29, 2016**

(51) **LOC (11) Cl.** ..... **06-01**

(52) **U.S. Cl.**  
USPC ..... **D6/361; D6/379**

(58) **Field of Classification Search**  
USPC ..... D6/334-336, 361, 368, 374-381, 716, D6/716.1-716.8  
CPC ..... A47C 1/035; A47C 1/143; A47C 4/06; A47C 4/12; A47C 4/14; A47C 4/28; A47C 4/30; A47C 7/50; A47C 7/506; A61G 5/00  
See application file for complete search history.

(56) **References Cited**

**U.S. PATENT DOCUMENTS**

D166,990 S *	6/1952	O'Neil	.....	D6/361
2,871,926 A *	2/1959	Haschke	.....	A47C 7/22
				160/353
D282,415 S *	2/1986	Sheridan	.....	D6/361
D296,618 S *	7/1988	Colby	.....	D6/361
D299,685 S *	2/1989	Frinier	.....	D6/361
D308,769 S *	6/1990	Frinier	.....	D6/361

D326,584 S *	6/1992	van de Ven	.....	D6/361
D329,544 S *	9/1992	Snodgrass	.....	D6/361
D344,415 S *	2/1994	Gibbs	.....	D6/361
D346,705 S *	5/1994	Noll	.....	D6/361
D354,404 S *	1/1995	Greene	.....	D6/361
D360,081 S *	7/1995	Westerburgen	.....	D6/361
D365,452 S *	12/1995	Krause	.....	D6/361
D376,053 S *	12/1996	Grosfillex	.....	D6/361
D379,722 S *	6/1997	Good	.....	D6/361
D385,118 S *	10/1997	Grosfillex	.....	D6/361
D411,378 S *	6/1999	Van Rhienen	.....	D6/361
D413,735 S *	9/1999	Tseng	.....	D6/361
D414,049 S *	9/1999	van Rhienen	.....	D6/361
D418,684 S *	1/2000	van Rhienen	.....	D6/361
D443,768 S *	6/2001	Vertongen	.....	D6/361
D514,336 S *	2/2006	Spector	.....	D6/361
D668,071 S *	10/2012	Pedersen	.....	D6/361
D733,443 S *	7/2015	Griffin	.....	D6/361
9,332,858 B1 *	5/2016	Chiang	.....	A47C 7/62
D781,611 S *	3/2017	Westfall	.....	D6/379

\* cited by examiner

*Primary Examiner* — David G Muller

*Assistant Examiner* — Nathan M Johnston

(57) **CLAIM**

The ornamental design for a lounge chair, as shown.

**DESCRIPTION**

FIG. 1 is a ¾ lower front view perspective view of a lounge chair showing my new design;  
FIG. 2 is a ¾ rear perspective view thereof;  
FIG. 3 is a ¾ upper front perspective view thereof;  
FIG. 4 is a right-side elevation view thereof;  
FIG. 5 is a front elevation view thereof;  
FIG. 6 is a rear elevation view thereof;  
FIG. 7 is a top plan view thereof; and,  
FIG. 8 is a bottom plan view thereof.

**1 Claim, 4 Drawing Sheets**

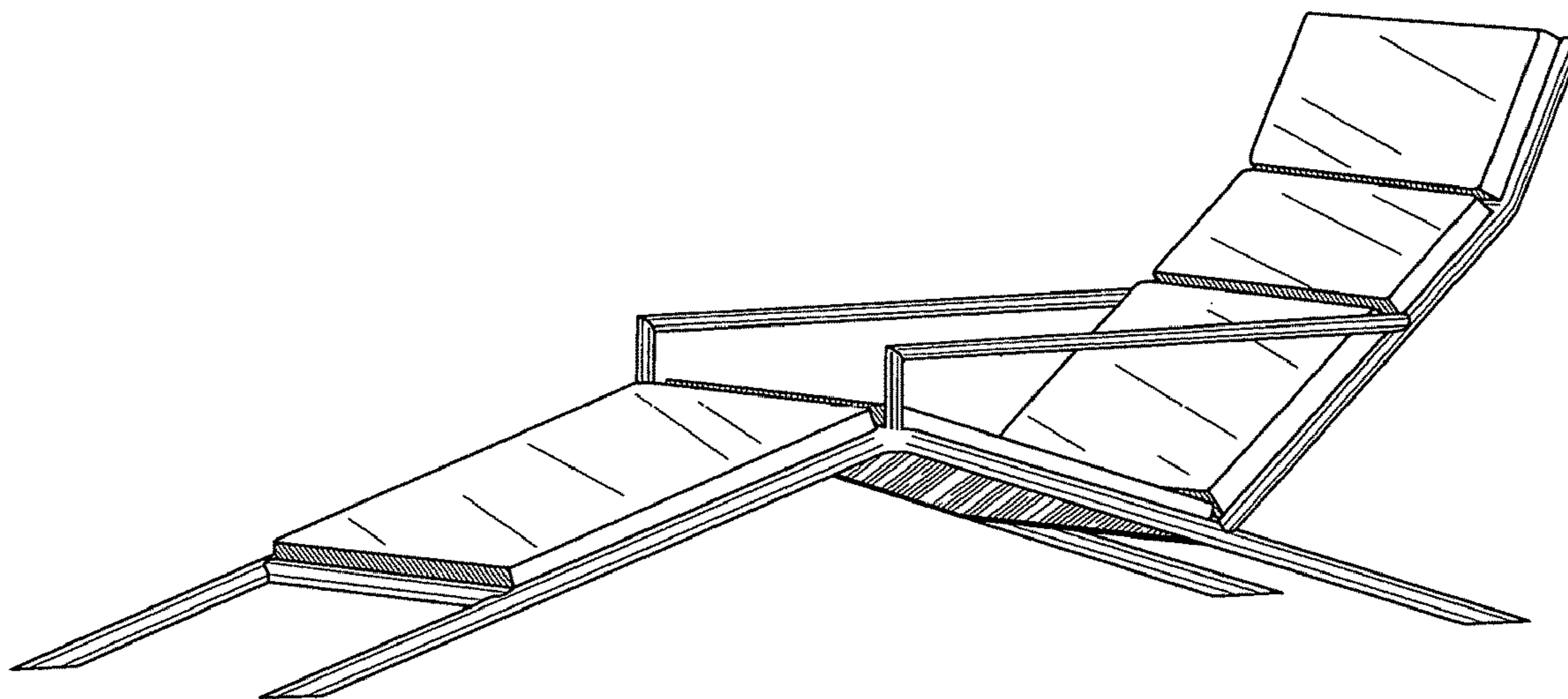


FIG. 1

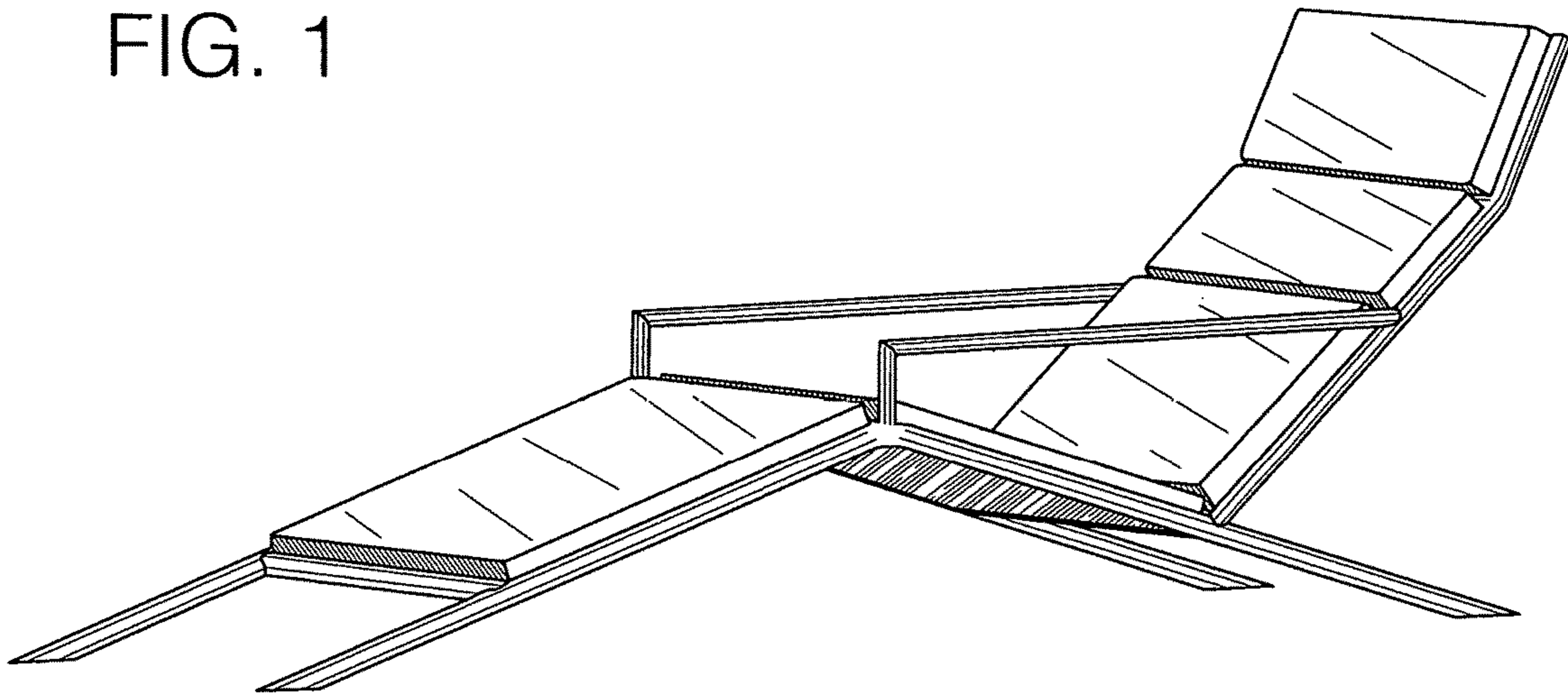


FIG. 2

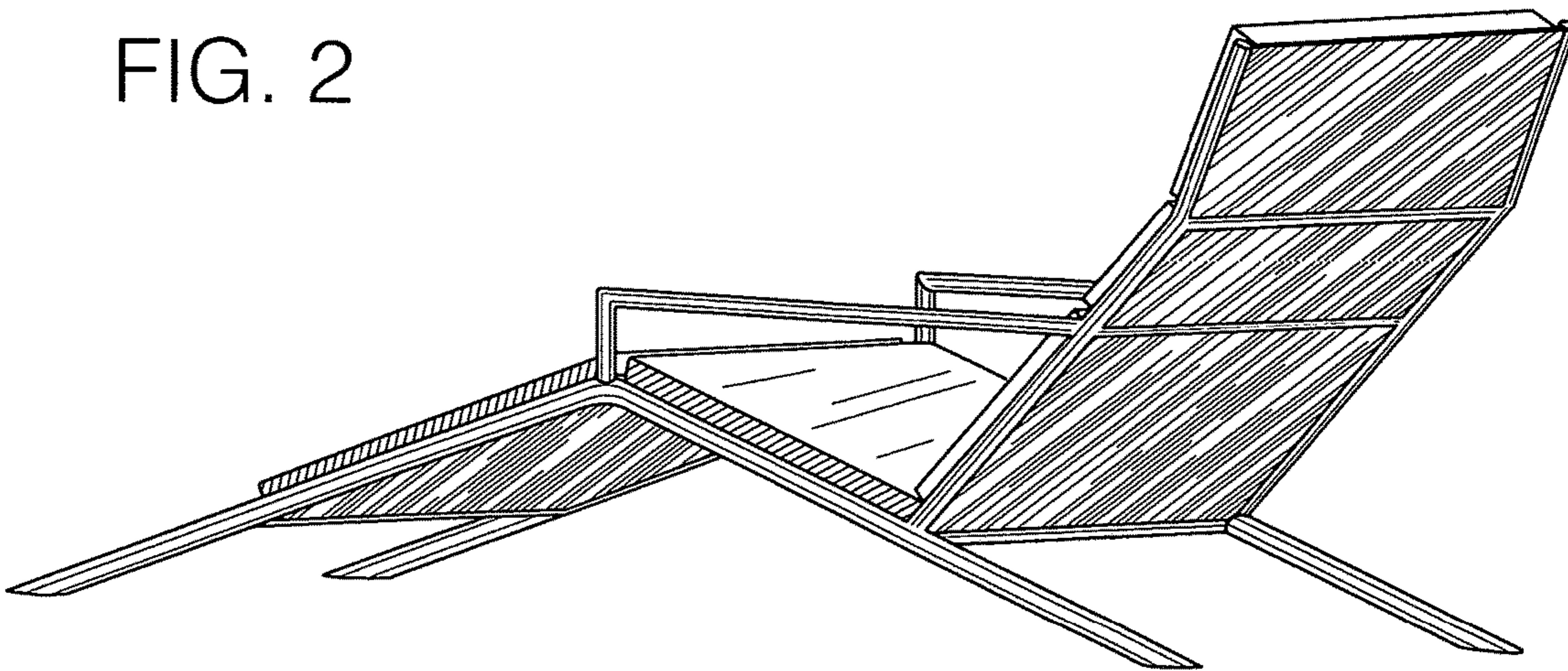


FIG. 3

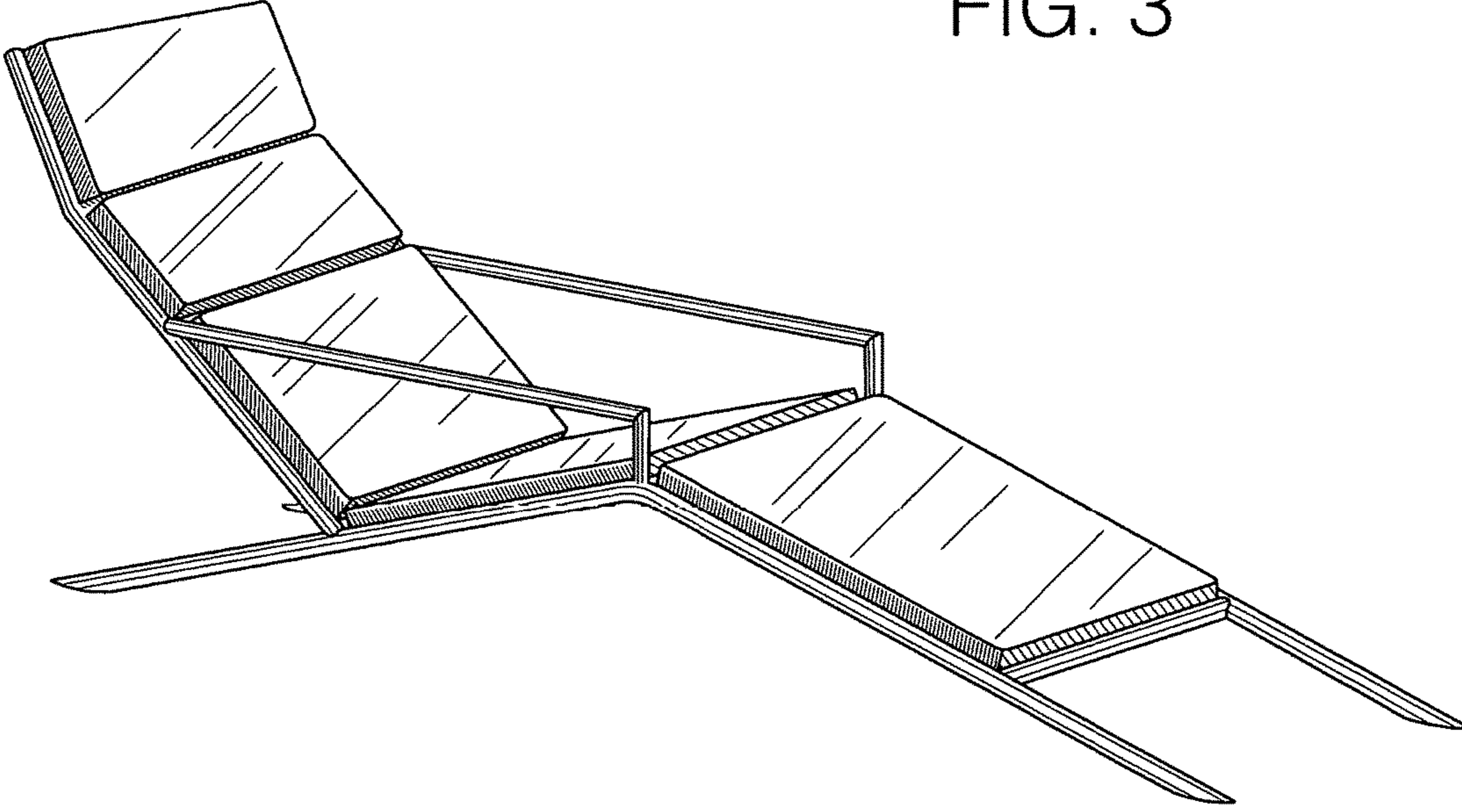


FIG. 4

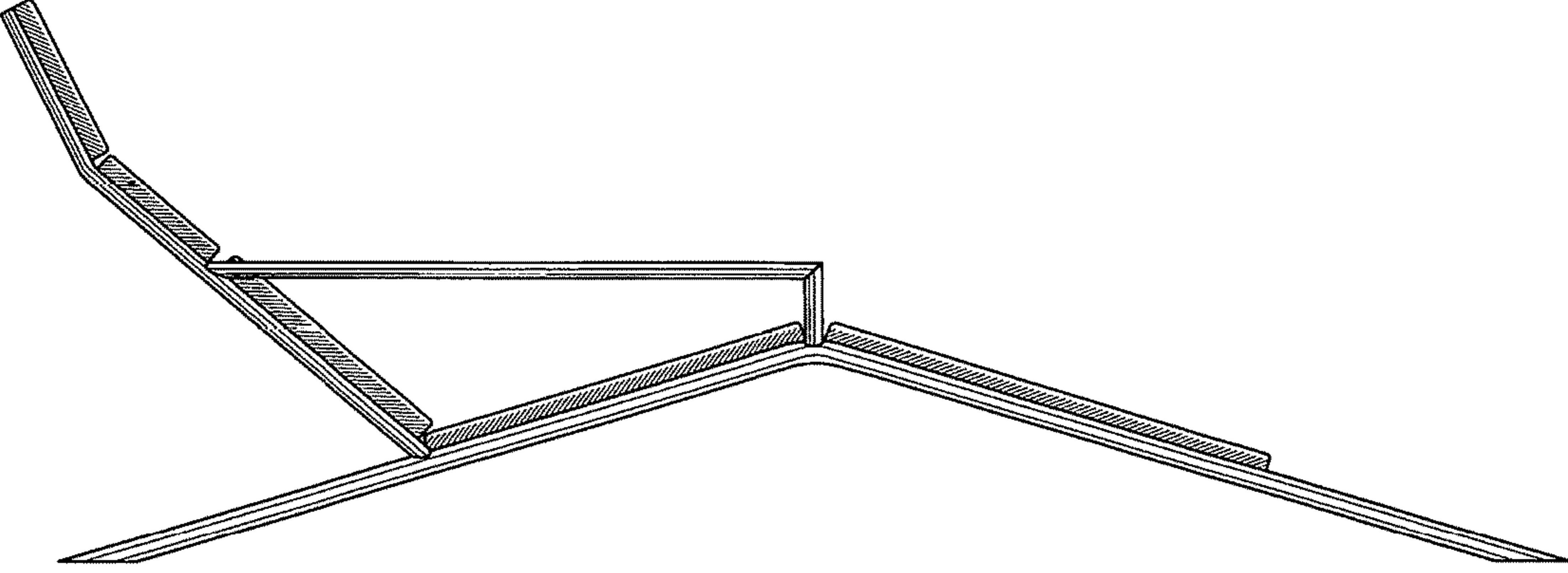


FIG. 5

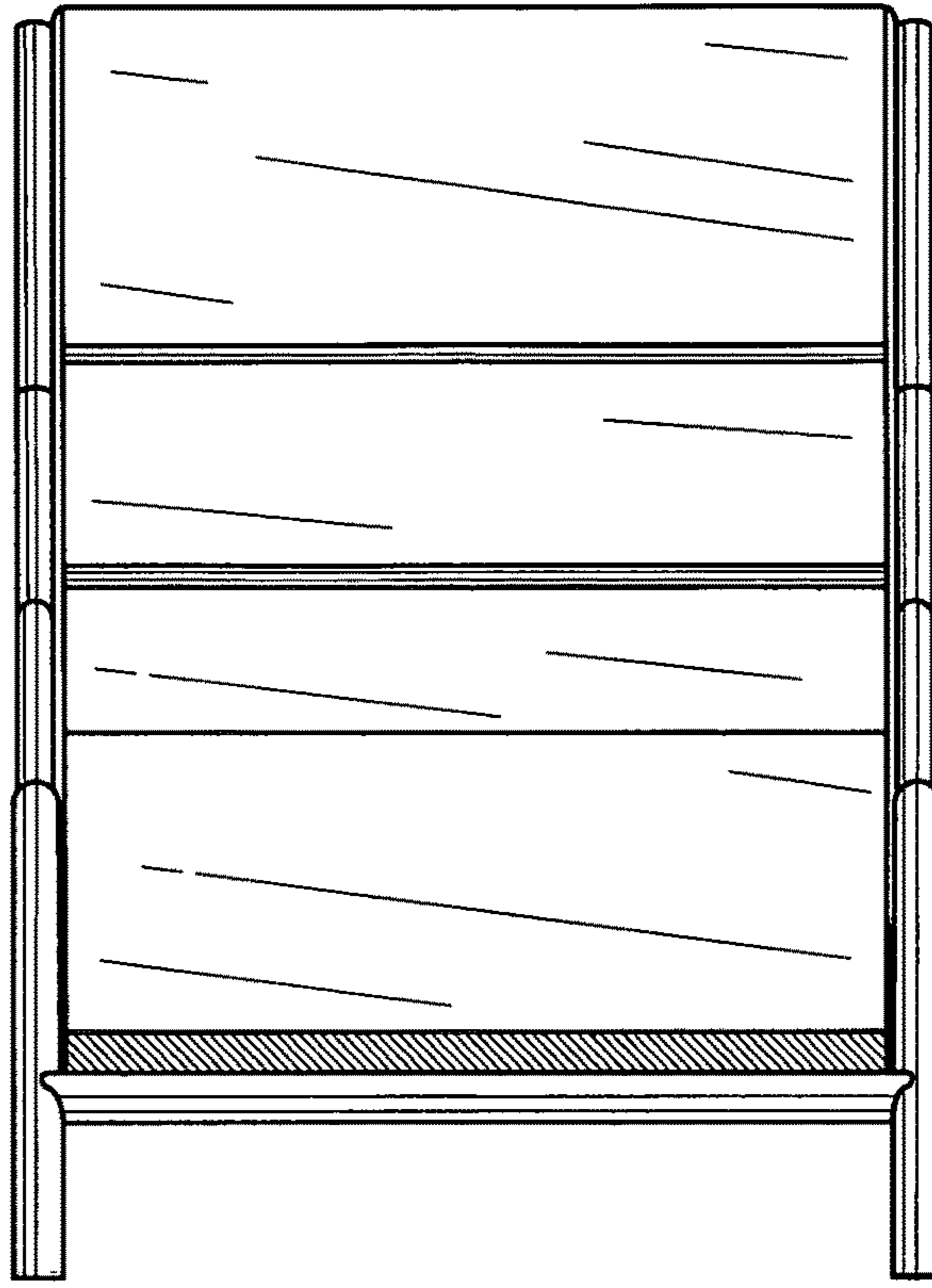


FIG. 6

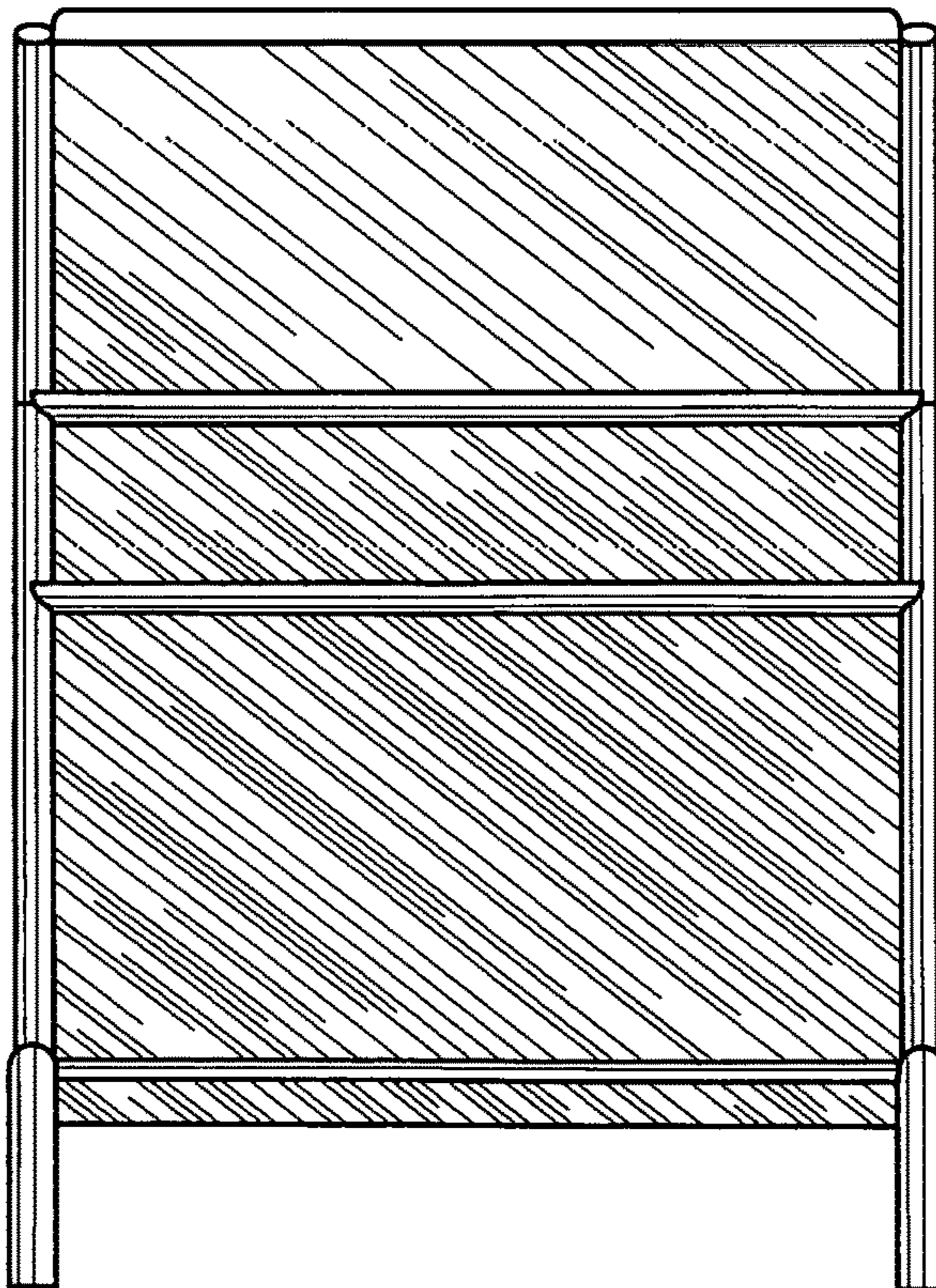


FIG. 7

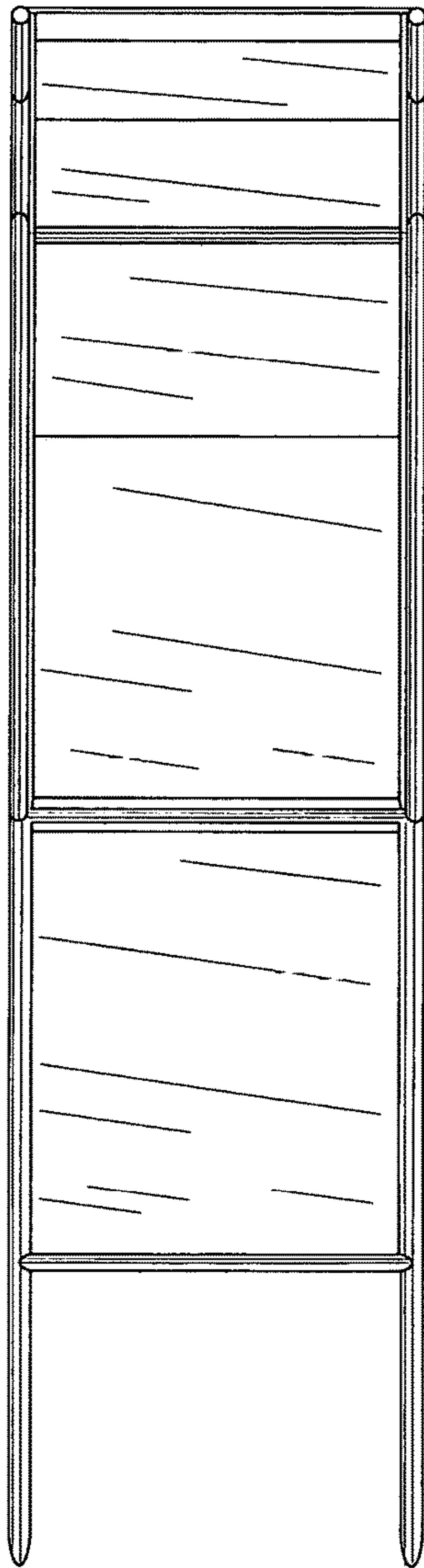


FIG. 8

