



US00D810450S

(12) **United States Design Patent**  
**Zalaba**

(10) **Patent No.:** **US D810,450 S**

(45) **Date of Patent:** **\*\* Feb. 20, 2018**

(54) **DINING CHAIR**

(71) Applicant: **Ginger Zalaba**, Bruttisellen (CH)

(72) Inventor: **Ginger Zalaba**, Bruttisellen (CH)

(\*\*) Term: **15 Years**

(21) Appl. No.: **29/593,740**

(22) Filed: **Feb. 13, 2017**

(51) **LOC (11) Cl.** ..... **06-01**

(52) **U.S. Cl.**  
USPC ..... **D6/334; D6/372**

(58) **Field of Classification Search**  
USPC ..... D6/334, 335, 336, 360, 361, 367, 368,  
D6/371-375, 379-381, 716, 716.1-716.8  
CPC .... A47C 7/00; A47C 7/62; A47C 7/18; A47C  
7/54; A47C 4/00; A47C 4/028; A47C  
4/28; A47C 3/16; A47C 3/04; A47C 3/12;  
A47C 1/02; A47C 1/14

See application file for complete search history.

(56) **References Cited**

**U.S. PATENT DOCUMENTS**

D137,904 S	*	5/1944	Dieter	.....	D6/372
D184,387 S	*	2/1959	Williams	.....	297/447.1
D197,598 S	*	3/1964	Harris	.....	D6/372
D225,925 S	*	1/1973	Duern et al.	.....	D6/374
D244,108 S	*	4/1977	Bacon	.....	D6/349
D249,315 S	*	9/1978	Daae-Qvale	.....	D6/363
D249,762 S	*	10/1978	Koepke	.....	D6/373
D289,347 S	*	4/1987	Halme	.....	D6/370

D430,412 S	*	9/2000	Lewis	.....	D6/334
D438,718 S	*	3/2001	Hutton	.....	D6/334
D494,375 S	*	8/2004	Starck	.....	D6/374
D544,229 S	*	6/2007	Bartlmae	.....	D6/374
D544,236 S	*	6/2007	Swy	.....	D6/374
D553,871 S	*	10/2007	Diramarian	.....	D6/370
D574,624 S	*	8/2008	Bartlmae	.....	D6/374
D648,577 S	*	11/2011	Gasser	.....	D6/716
D650,194 S	*	12/2011	Schultz et al.	.....	D6/370
D686,425 S	*	7/2013	Behrens et al.	.....	D6/366
D753,407 S	*	4/2016	Kubryk	.....	D6/380

\* cited by examiner

*Primary Examiner* — Deanna L Pratt

(57) **CLAIM**

I claim the ornamental design for a dining chair, as shown and described.

**DESCRIPTION**

FIG. 1 is a perspective view of a dining chair showing my new design;

FIG. 2 is another perspective view of a dining chair showing my new design;

FIG. 3 is a front view of a dining chair showing in FIG. 1;

FIG. 4 is a rear view of a dining chair showing in FIG. 1;

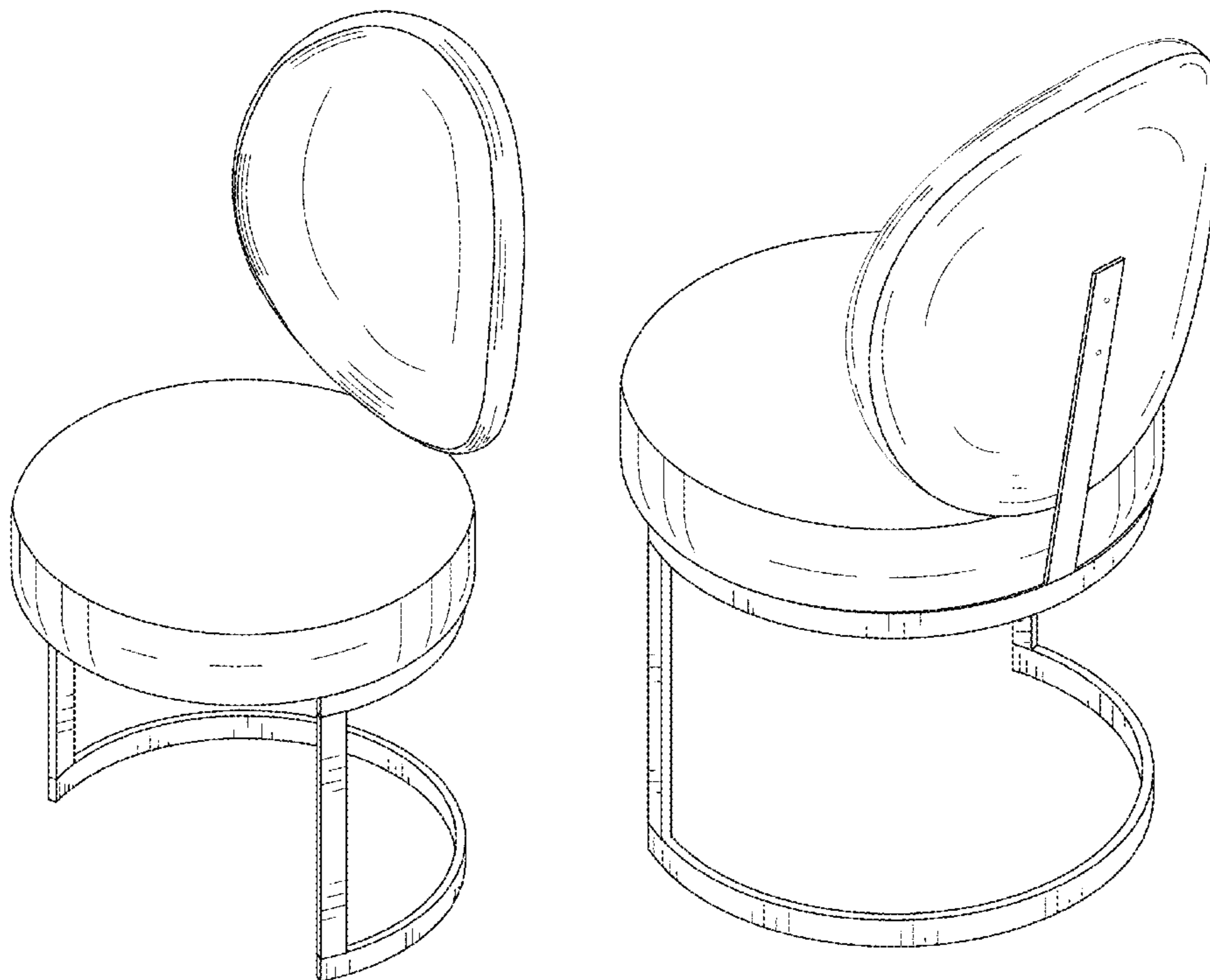
FIG. 5 is a top plan view of a dining chair showing in FIG. 1;

FIG. 6 is bottom plan view of a dining chair showing in FIG. 1;

FIG. 7 is side view of a dining chair showing in FIG. 1; and,

FIG. 8 is another side view of a dining chair showing in FIG. 1.

**1 Claim, 7 Drawing Sheets**



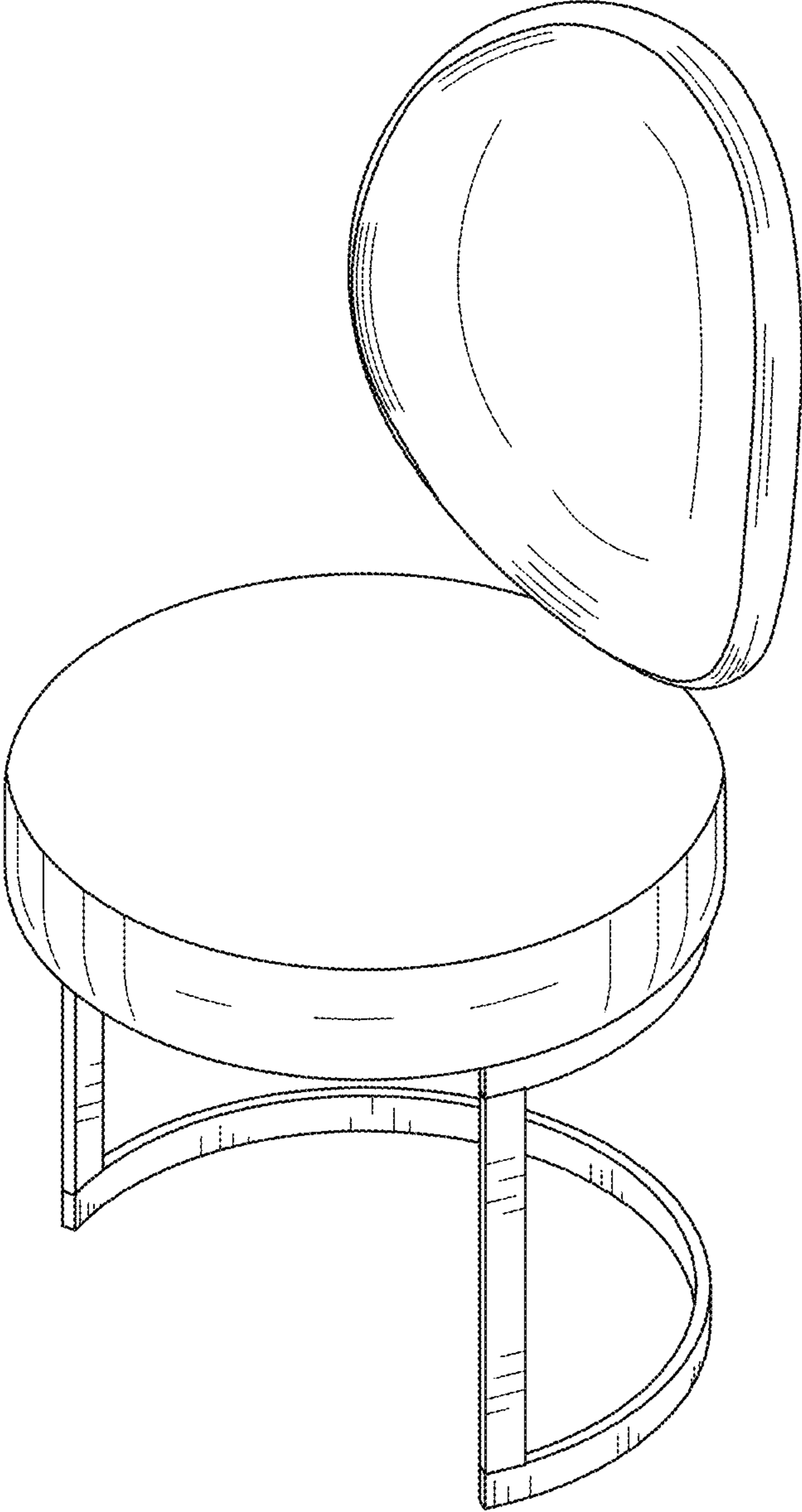


FIG. 1

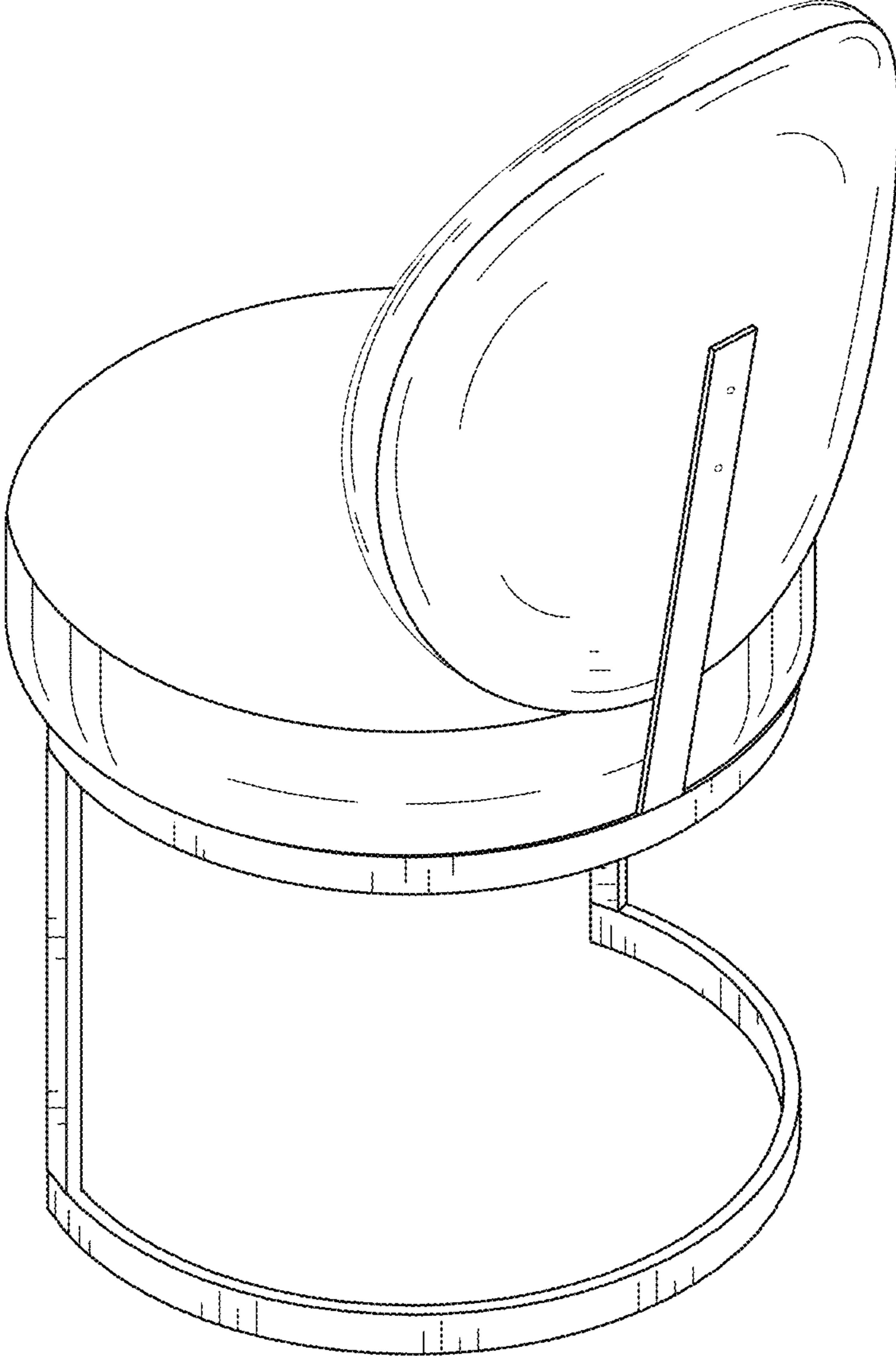


FIG. 2

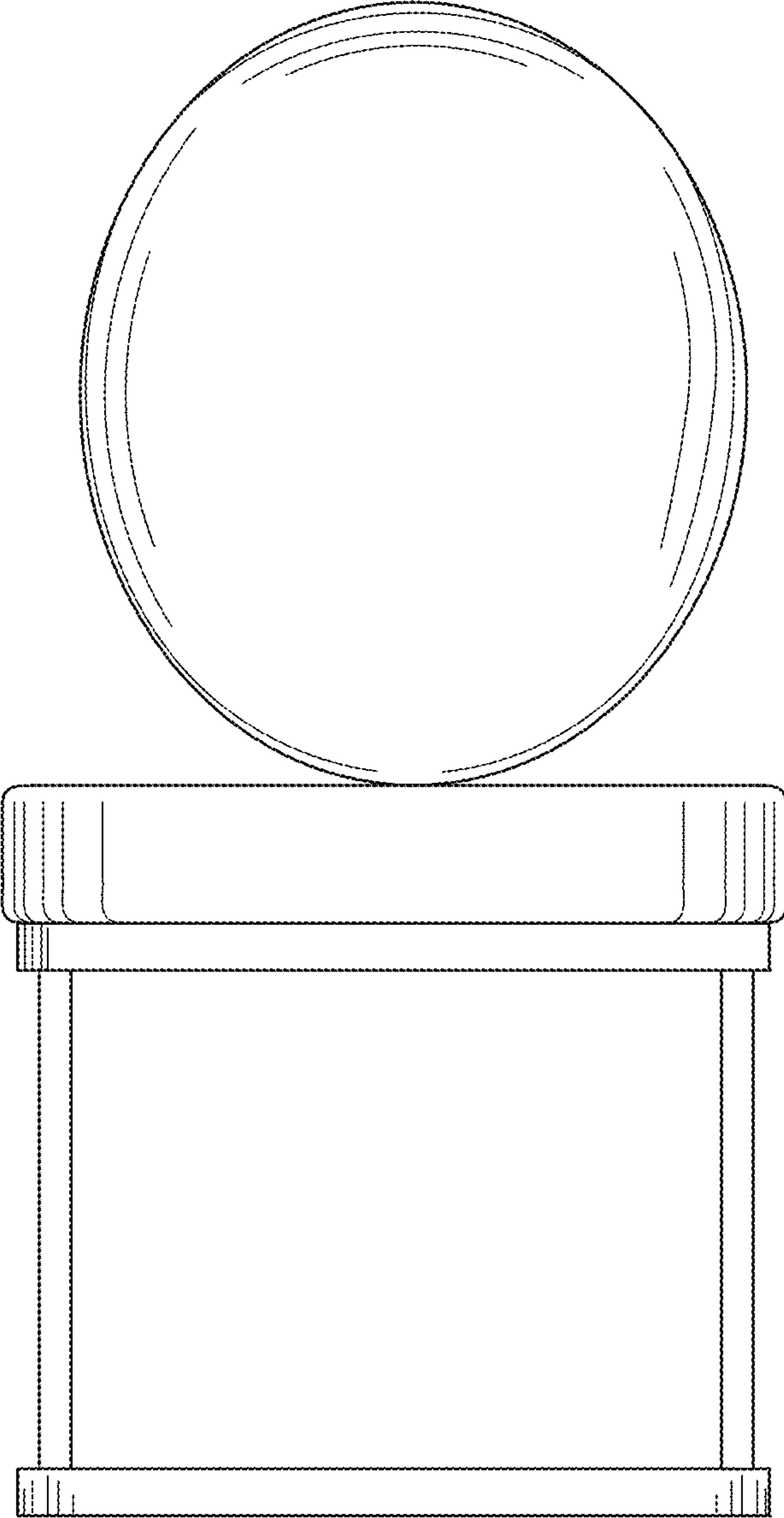


FIG. 3

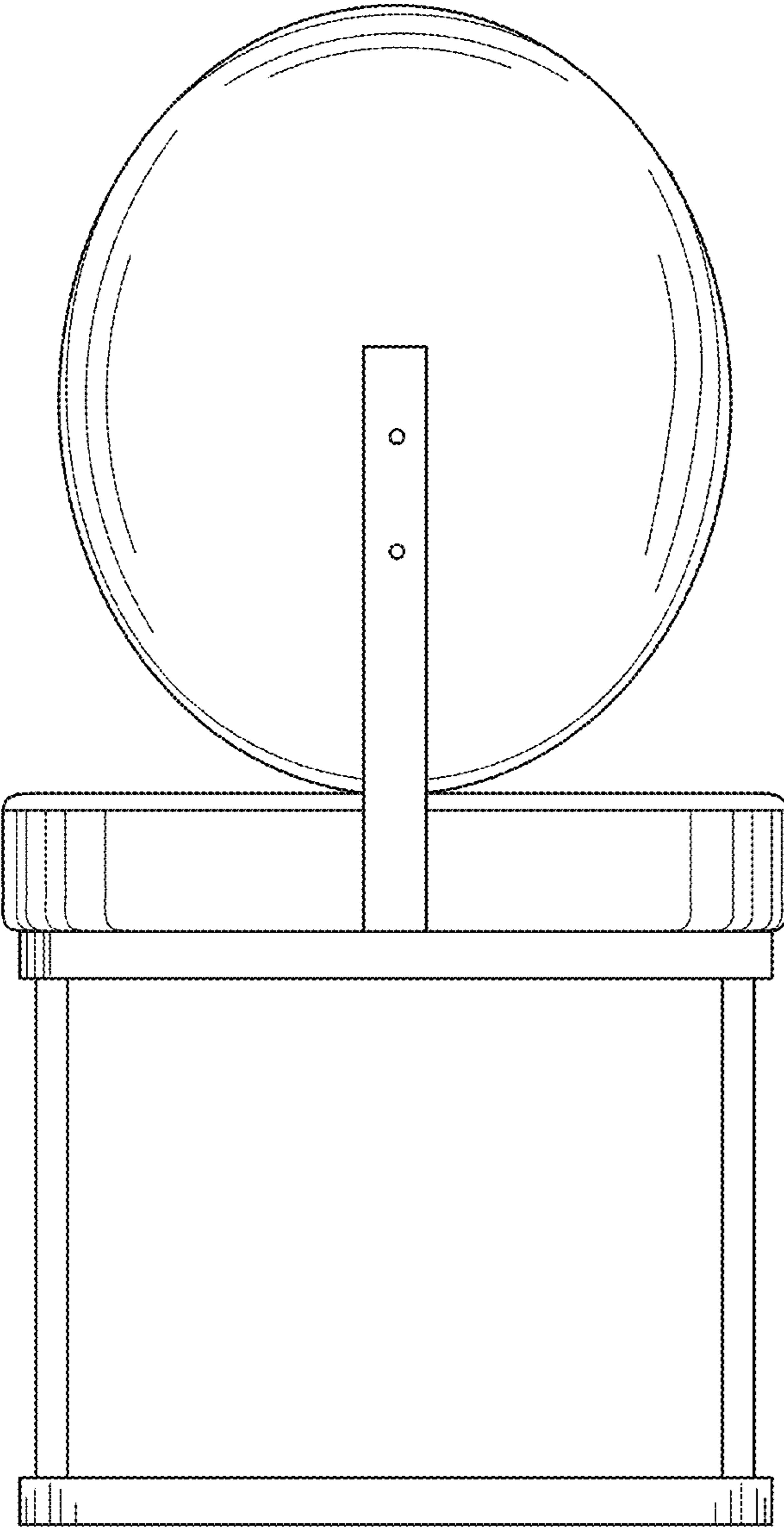


FIG. 4

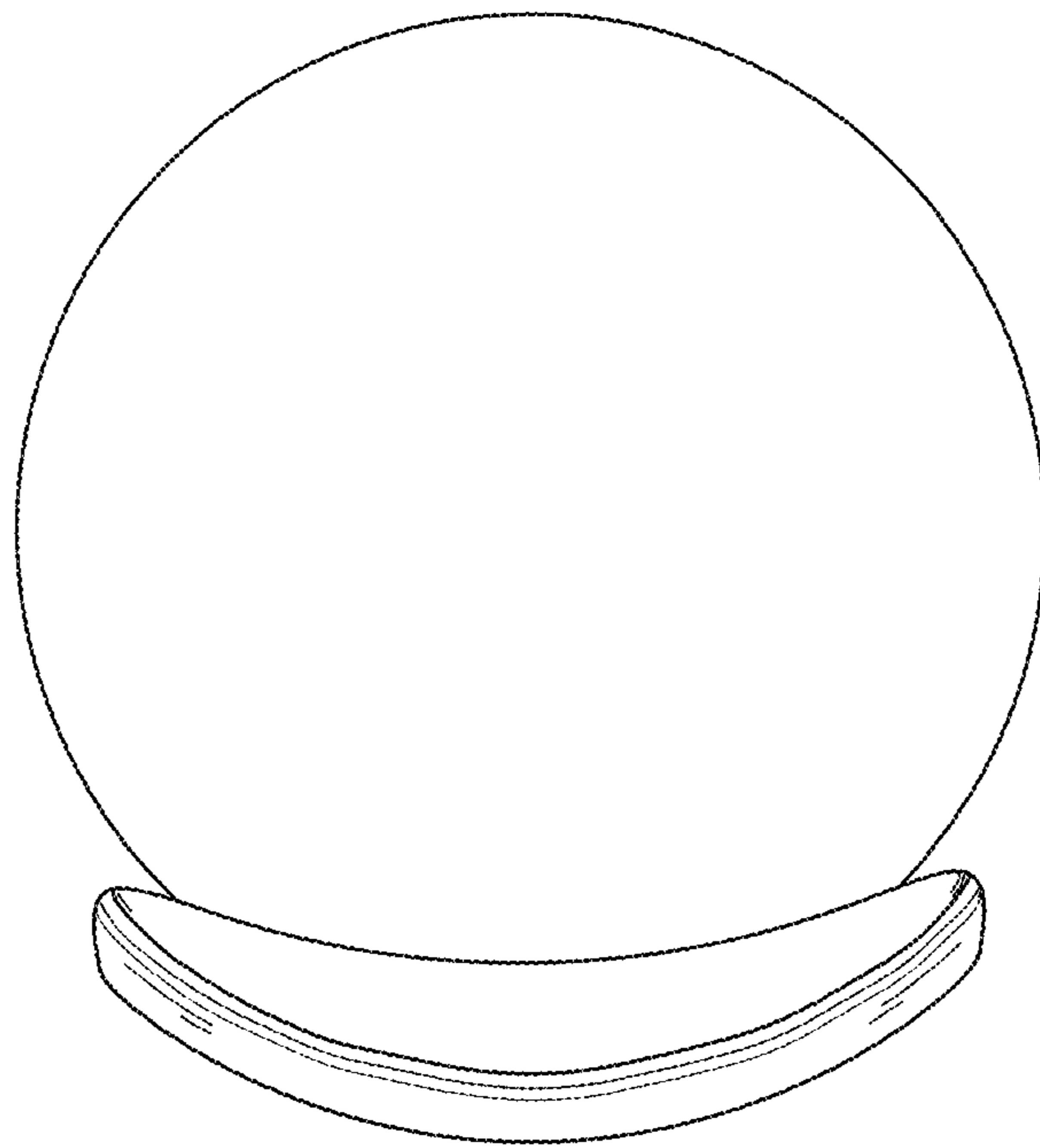


FIG. 5

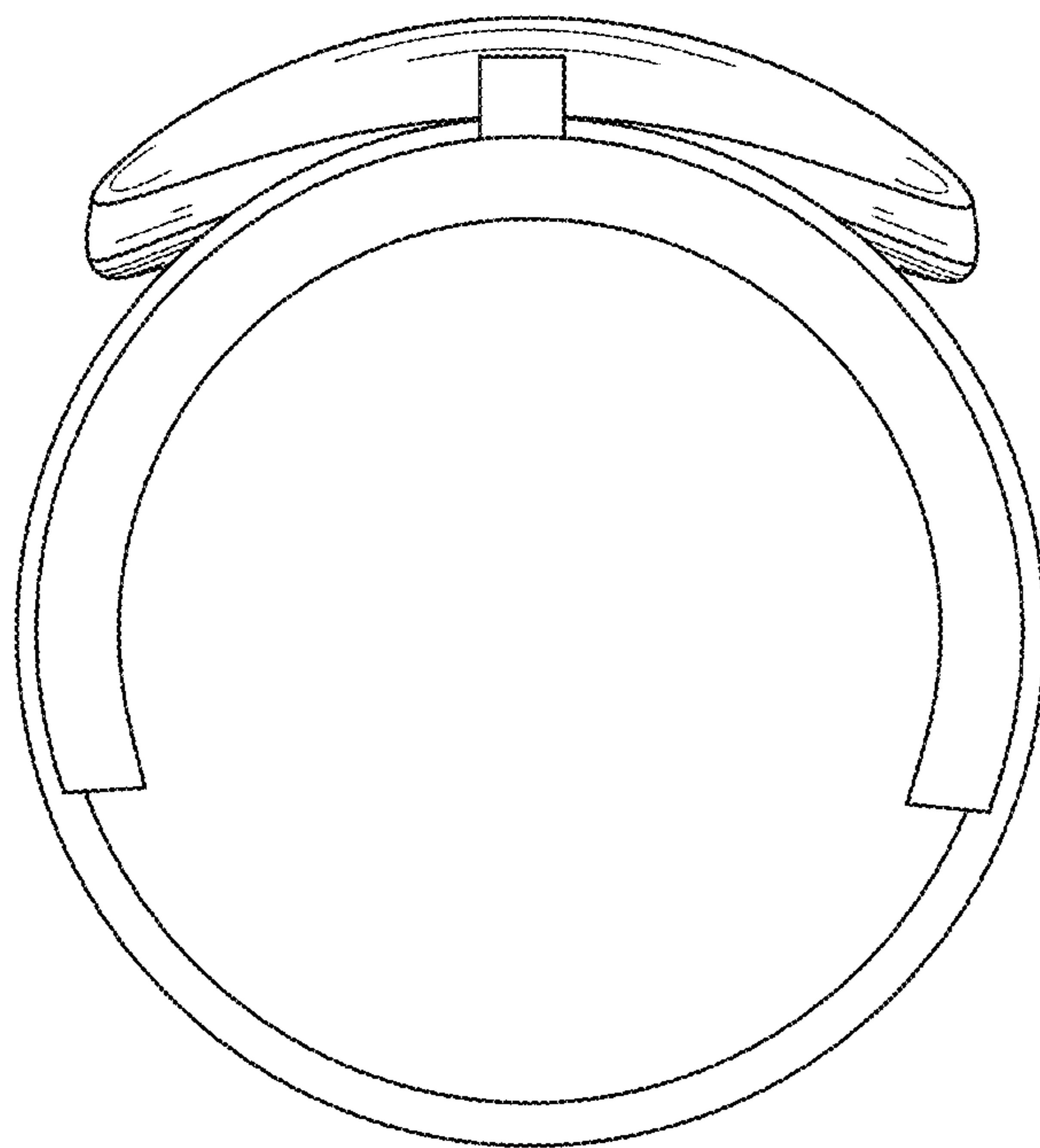


FIG. 6

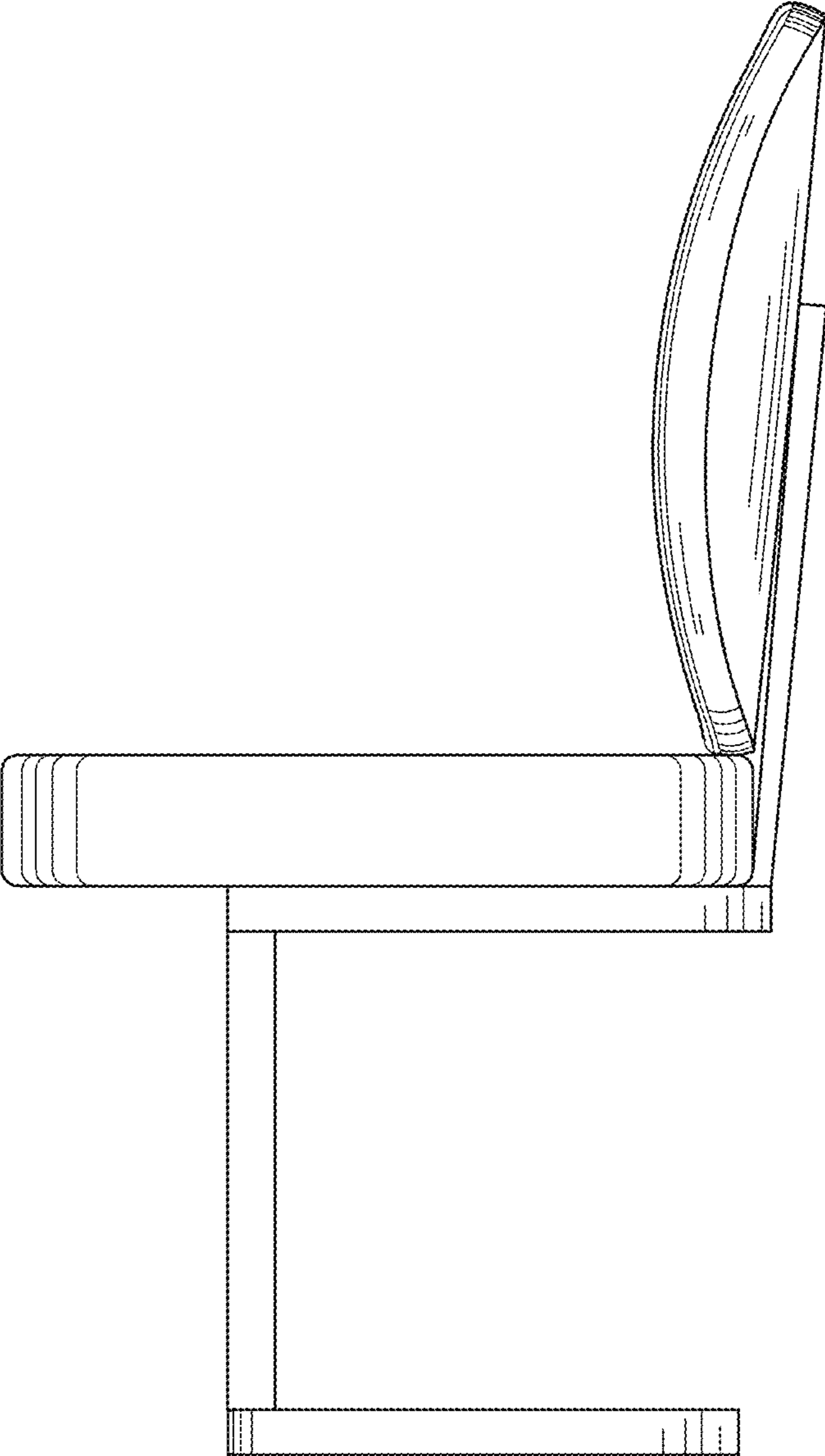


FIG. 7

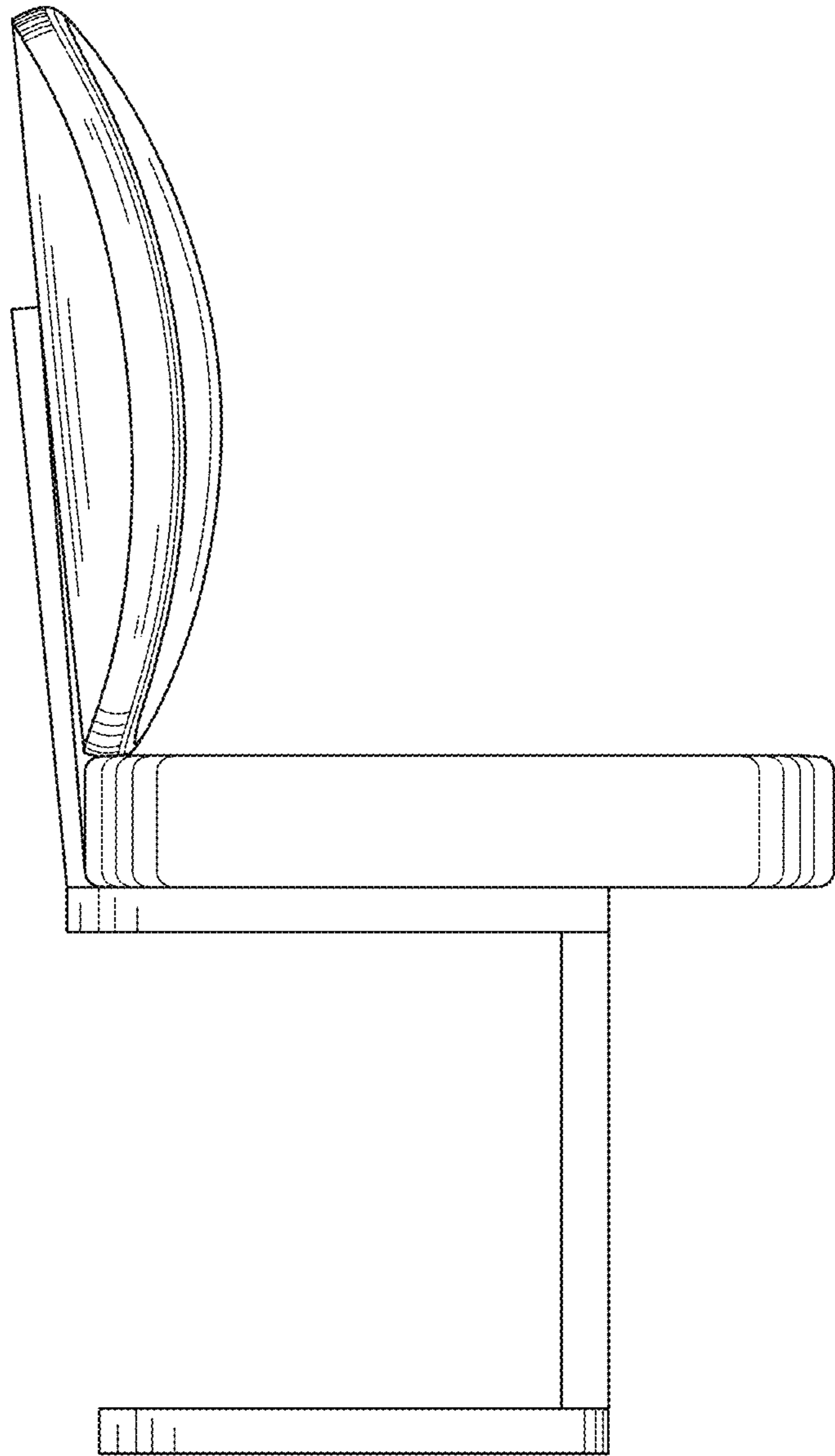


FIG. 8