



US00D810449S

(12) **United States Design Patent** (10) **Patent No.:** **US D810,449 S**  
**Beukema et al.** (45) **Date of Patent:** **\*\* Feb. 20, 2018**

- (54) **ARM FOR SEATING UNIT**
- (71) Applicant: **STEELCASE INC.**, Grand Rapids, MI (US)
- (72) Inventors: **Steven James Beukema**, Grand Rapids, MI (US); **Devon Robert Robinson**, Ann Arbor, MI (US)
- (73) Assignee: **STEELCASE INC.**, Grand Rapids, MI (US)
- (\*\*) Term: **15 Years**
- (21) Appl. No.: **29/582,636**
- (22) Filed: **Oct. 28, 2016**
- (51) **LOC (11) Cl.** ..... **06-01**
- (52) **U.S. Cl.**  
USPC ..... **D6/334; D6/716.2**
- (58) **Field of Classification Search**  
USPC ..... D6/334, 335, 336, 360, 361, 367, 368, D6/371-375, 379-381, 716, 716.1-716.8  
CPC .... A47C 7/00; A47C 7/62; A47C 7/18; A47C 7/54; A47C 4/00; A47C 4/028; A47C 4/28; A47C 3/16; A47C 3/04; A47C 3/12; A47C 1/02; A47C 1/14  
See application file for complete search history.

(56) **References Cited**

**U.S. PATENT DOCUMENTS**

D228,371 S	*	9/1973	Gill	.....	D6/364
D320,315 S	*	10/1991	Totzek	.....	D6/361
D339,246 S		9/1993	Hutton		
D382,129 S		8/1997	Lewis		
D390,029 S		2/1998	Hutton		
D431,381 S		10/2000	Roset		
D439,071 S		3/2001	D'Urso et al.		
D441,978 S		5/2001	Hutton		
D444,305 S		7/2001	Mourgue		
D446,961 S		8/2001	Natuzzi et al.		
D465,667 S	*	11/2002	Hoffmann	.....	D6/369

(Continued)

*Primary Examiner* — Deanna L Pratt  
(74) *Attorney, Agent, or Firm* — Brinks Gilson & Lione

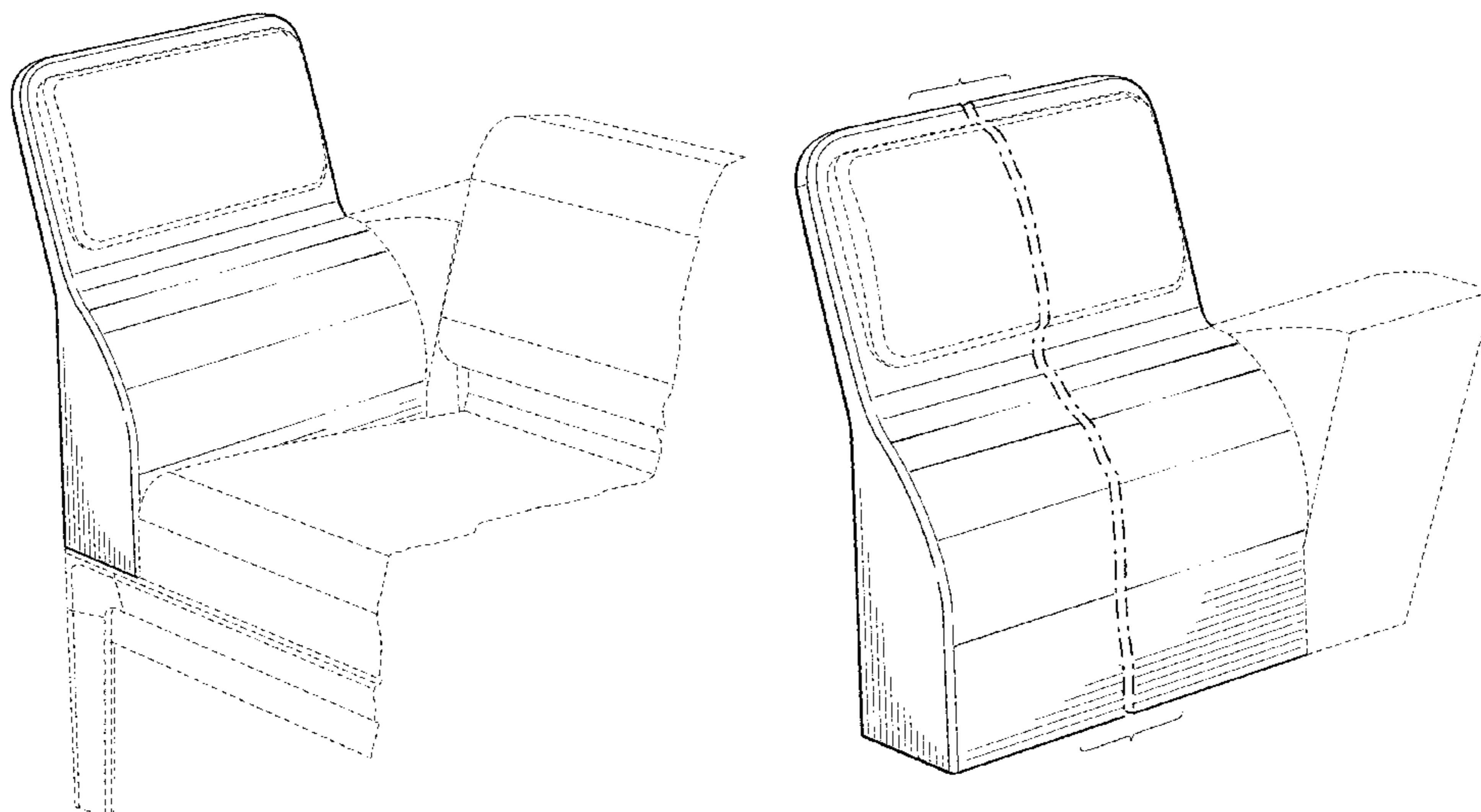
(57) **CLAIM**

The ornamental design for an arm for seating unit, as shown and described.

**DESCRIPTION**

FIG. 1 is a top front perspective view of a first embodiment of an arm for seating unit of the present design, shown with one potential environment;  
 FIG. 2 is a front perspective view thereof;  
 FIG. 3 is a top, left-side perspective view thereof;  
 FIG. 4 is a left side elevation view thereof;  
 FIG. 5 is a top front perspective view of a second embodiment of an arm for seating unit of the present design;  
 FIG. 6 is a front elevation view thereof;  
 FIG. 7 right side elevation view thereof;  
 FIG. 8 is a left side elevation view thereof;  
 FIG. 9 is a rear elevation view thereof;  
 FIG. 10 is a top plan view thereof;  
 FIG. 11 is a bottom plan view thereof; and,  
 FIG. 12 is a bottom rear perspective view thereof.  
 Interior surfaces and other portions of the arm for seating unit design not shown in the illustrated drawings, including the bottom, form no part of the claimed design. Uniform broken lines show environmental structure that forms no part of the claimed design, while the dash-dot-dash phantom lines of FIGS. 5-12 illustrate a symbolic break in the length of the arm for seating unit design and the portion of the arm for seating unit design between those phantom break lines forms no part of the claimed design. An additional embodiment of the claimed design is a mirror image of the design for the arm for seating unit shown in FIGS. 1-4, and another embodiment is a mirror image of the design for the arm for seating unit shown in FIGS. 5-12.

**1 Claim, 9 Drawing Sheets**



(56)

**References Cited**

U.S. PATENT DOCUMENTS

D498,070	S	*	11/2004	Sauer .....	D6/373
D519,743	S		5/2006	Suzuki et al.	
D557,532	S		12/2007	True et al.	
D559,594	S		1/2008	Loudon	
D569,648	S	*	5/2008	Weiss .....	D6/381
D575,562	S	*	8/2008	Loudon .....	D6/366
D577,505	S	*	9/2008	Kleene .....	D6/381
D593,765	S	*	6/2009	Mourgue .....	D6/381
D595,820	S	*	7/2009	Davis .....	D23/309
D615,317	S	*	5/2010	Andersen .....	D6/367
D629,221	S		12/2010	Starck	
D640,481	S		6/2011	Bush	
D643,226	S	*	8/2011	Kanthasamy .....	D6/381
D648,565	S		11/2011	Frinier	
D660,043	S		5/2012	Nguyen	
D677,491	S	*	3/2013	Joly .....	D6/381
D688,484	S	*	8/2013	Starck .....	D6/375
D698,564	S	*	2/2014	Behar .....	D6/381
D727,648	S		4/2015	De'Silva	
D743,726	S		11/2015	Yeh	

\* cited by examiner

Fig. 1

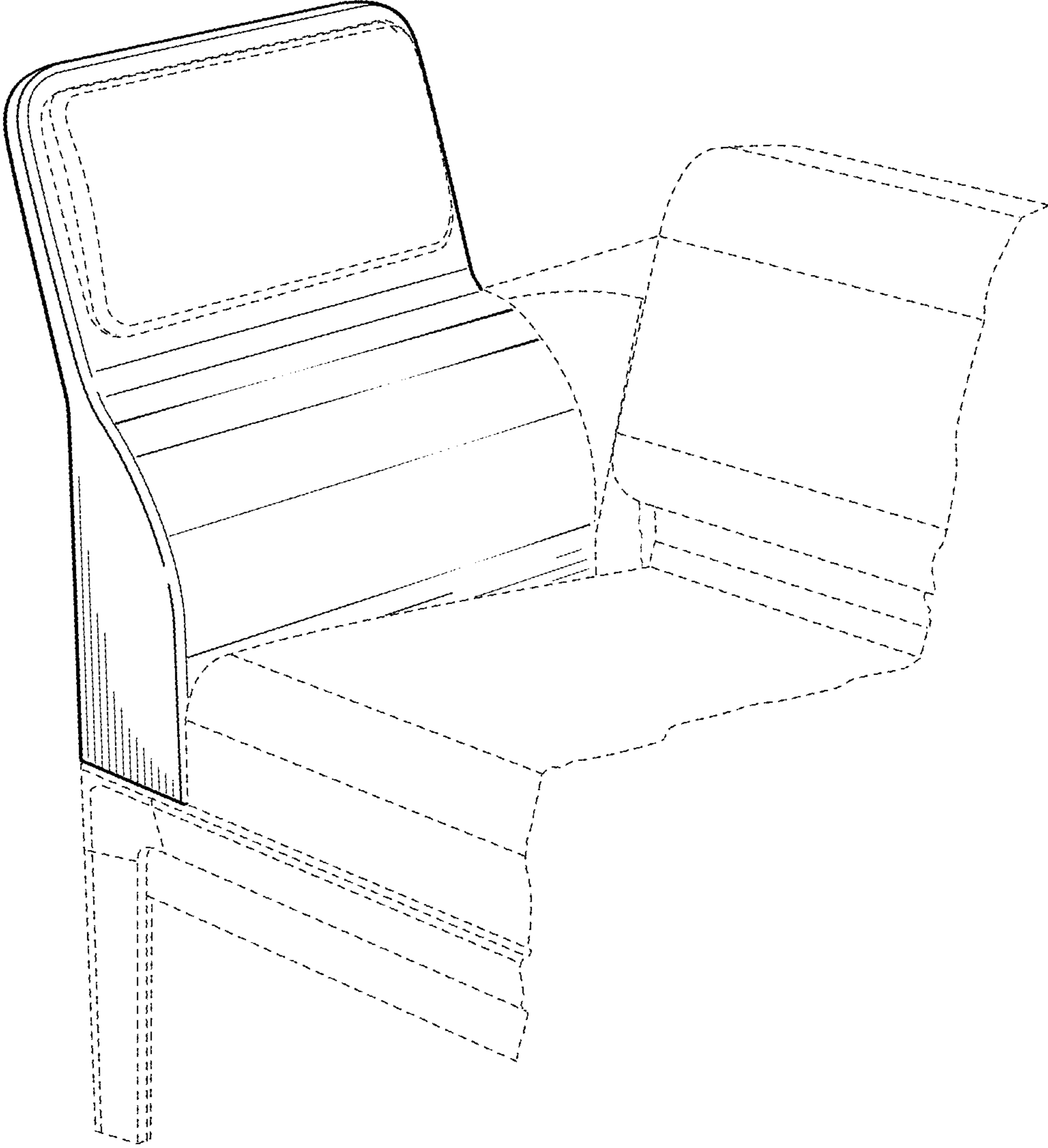


Fig. 2

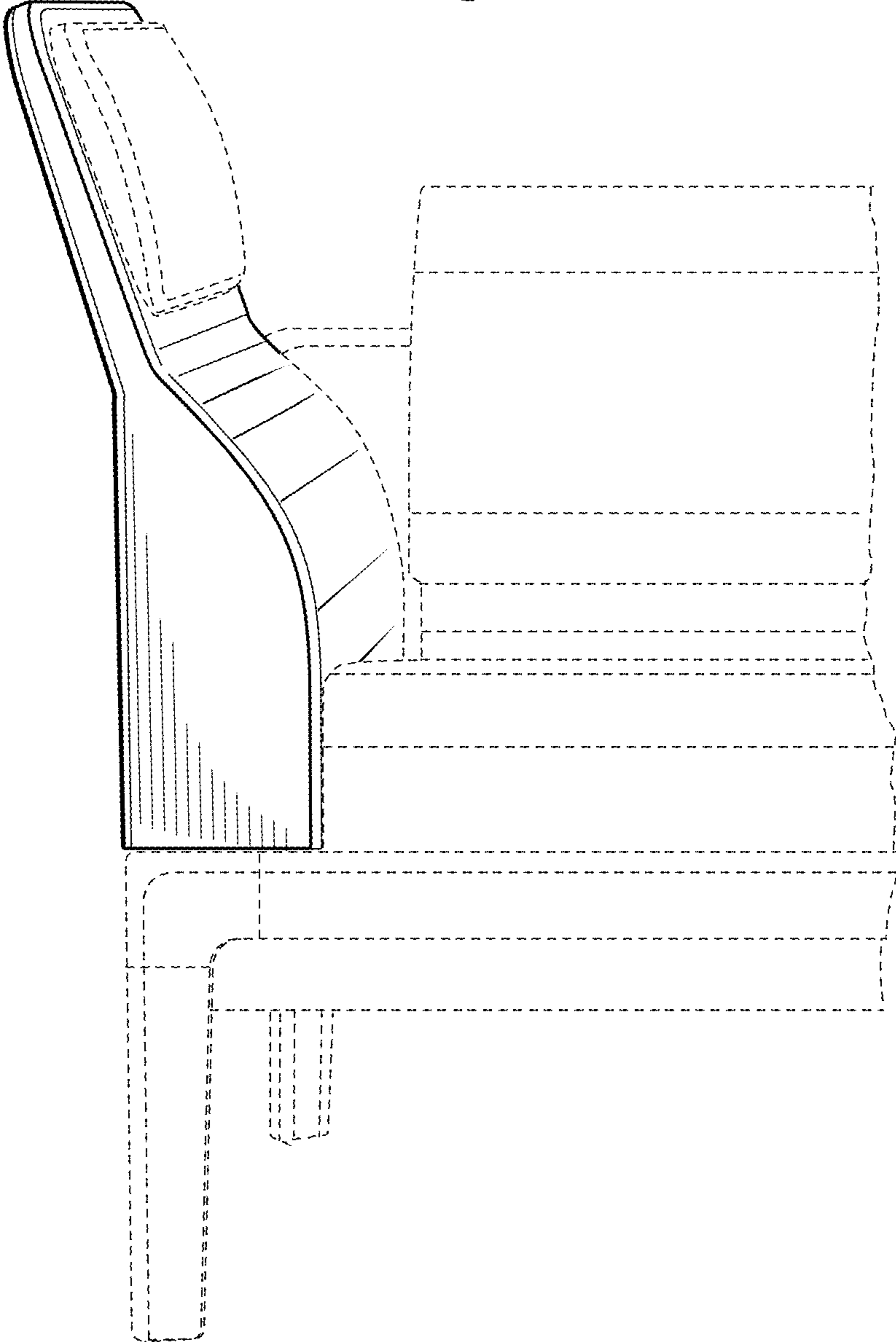


Fig. 3

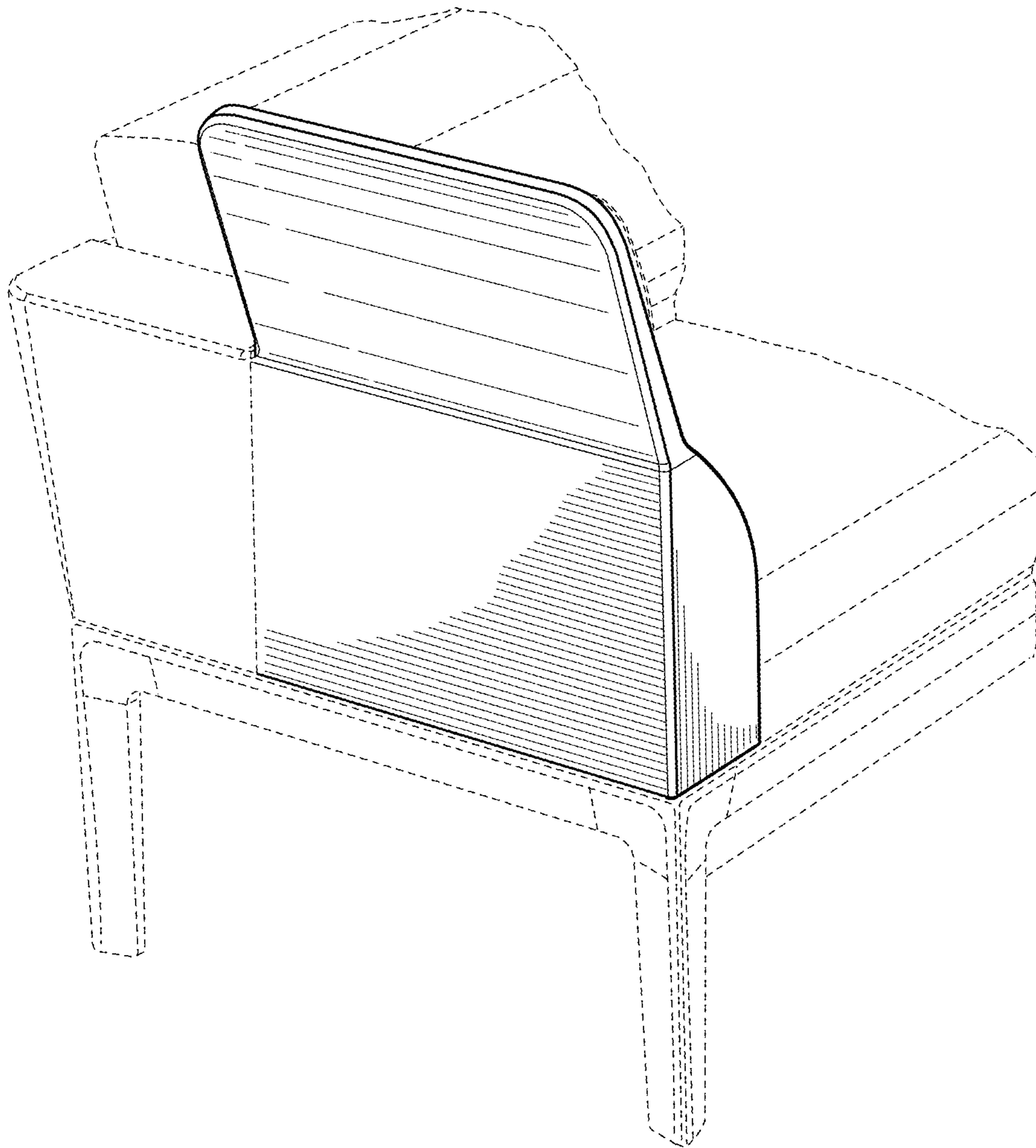




Fig. 4

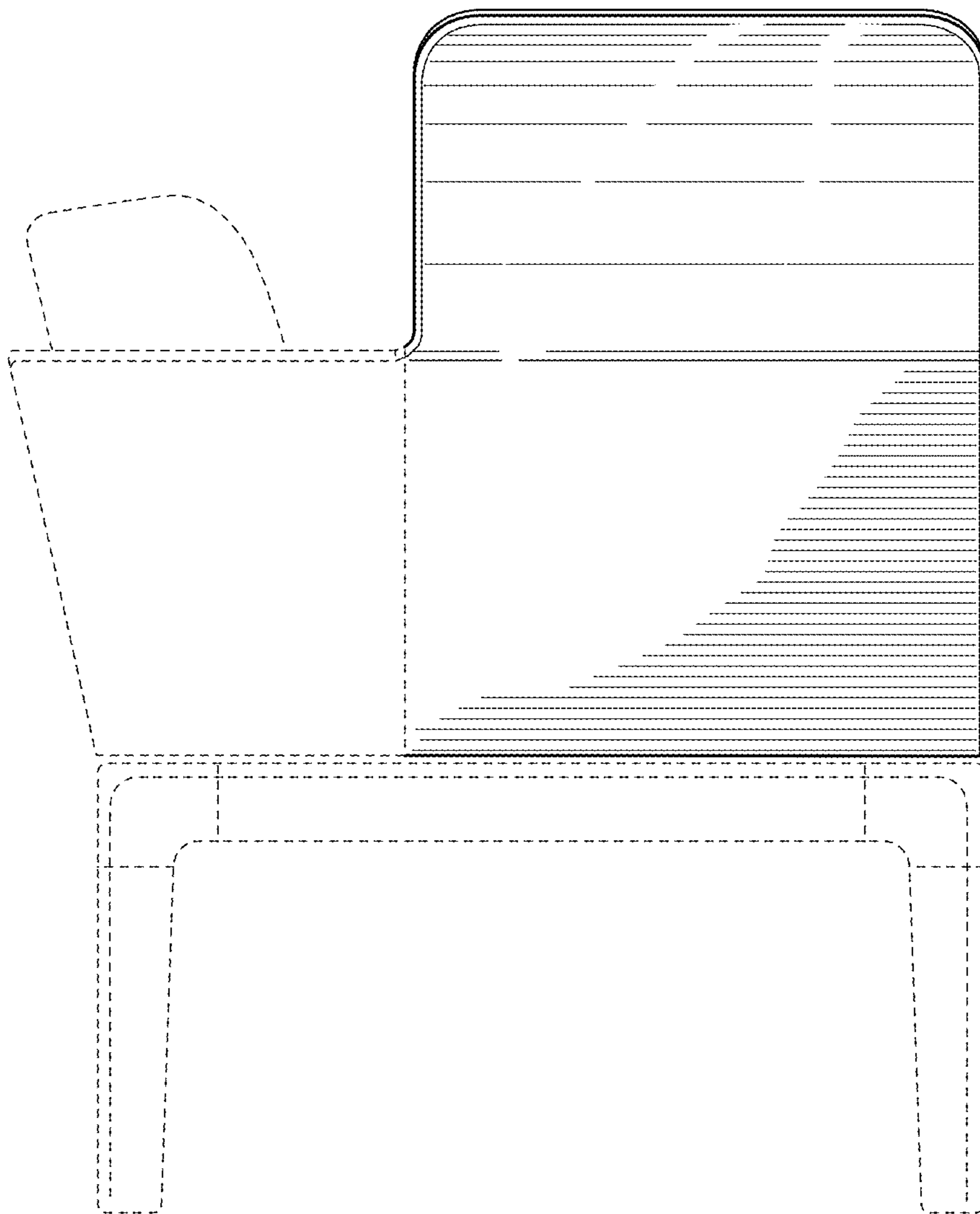


Fig. 5

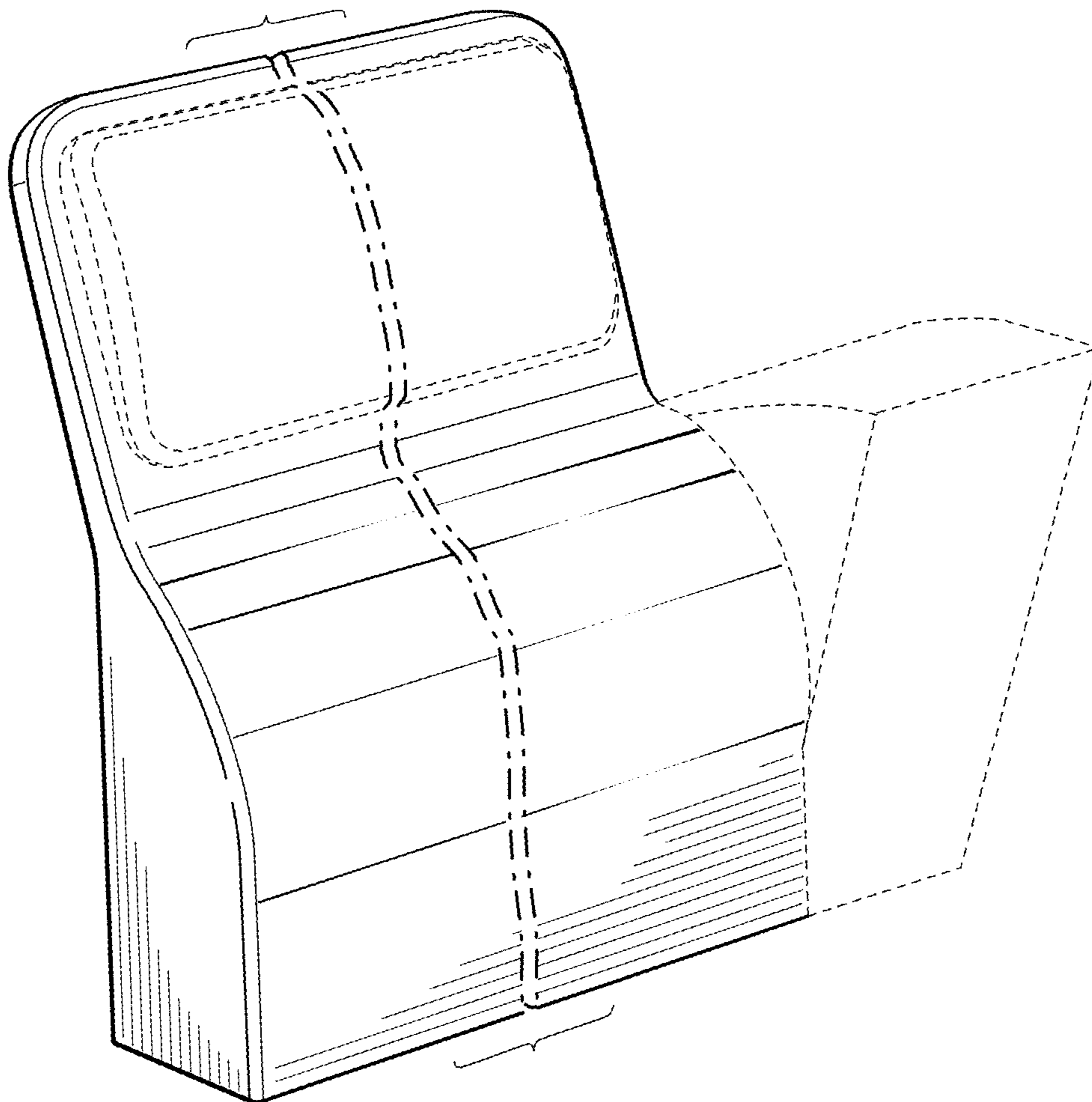


Fig. 6

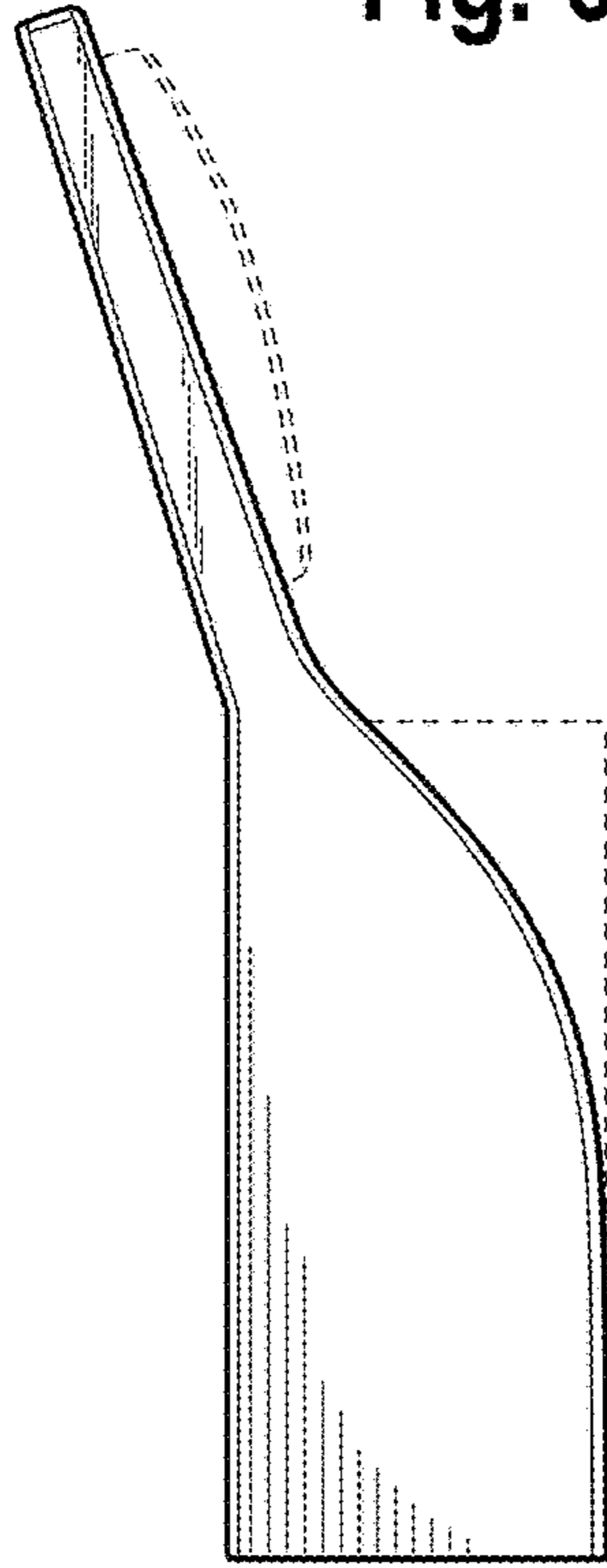


Fig. 7

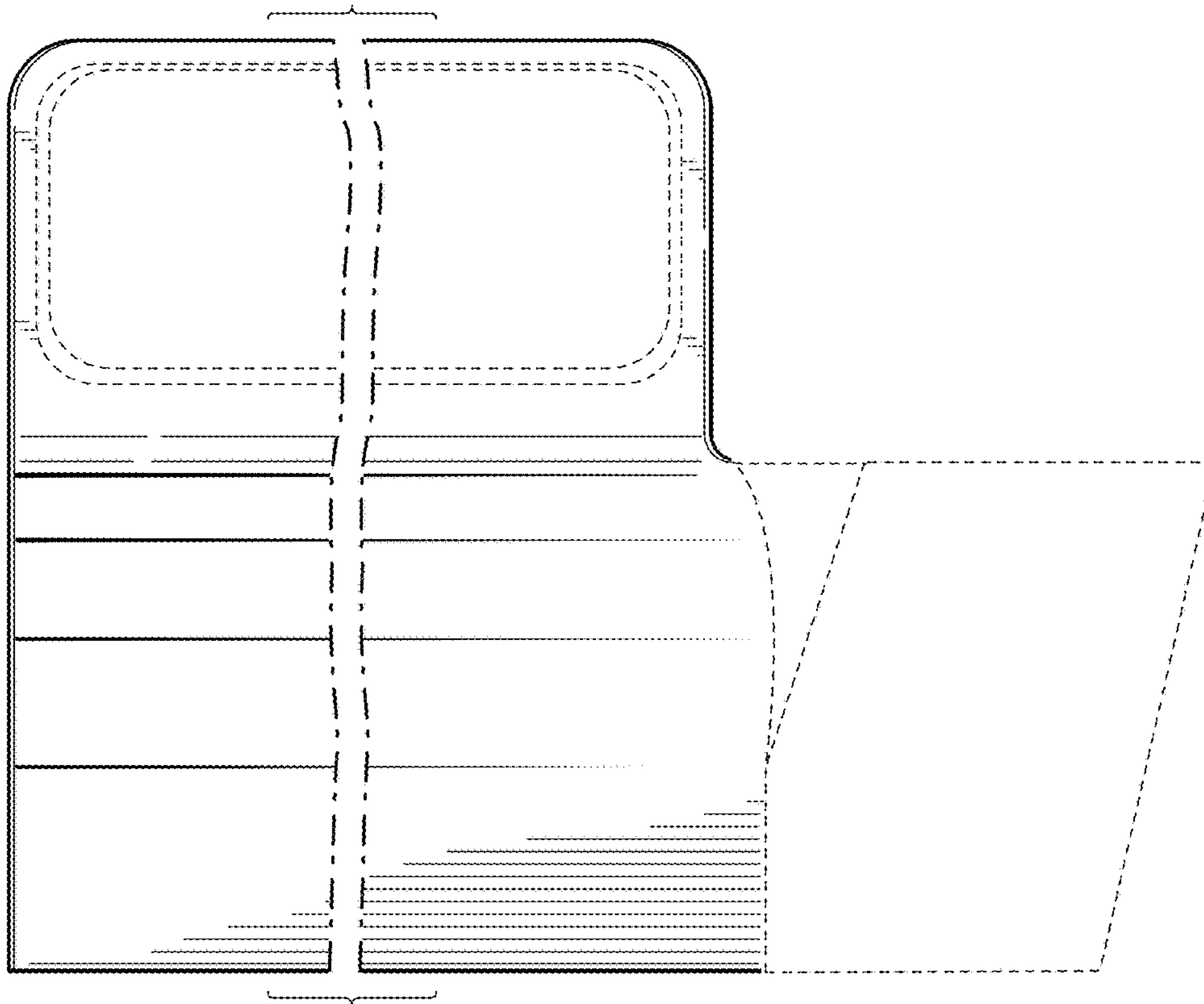




Fig. 8

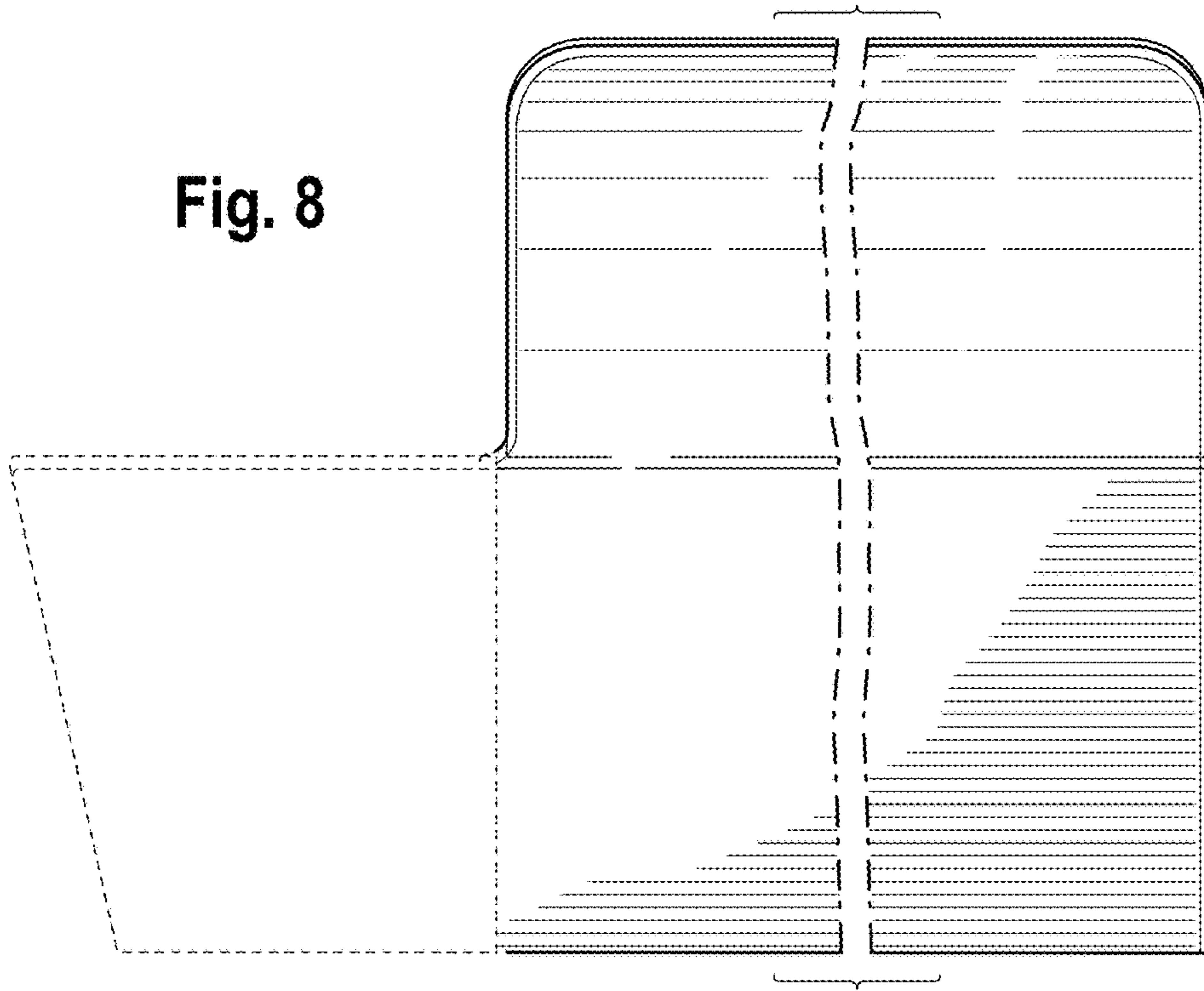


Fig. 9

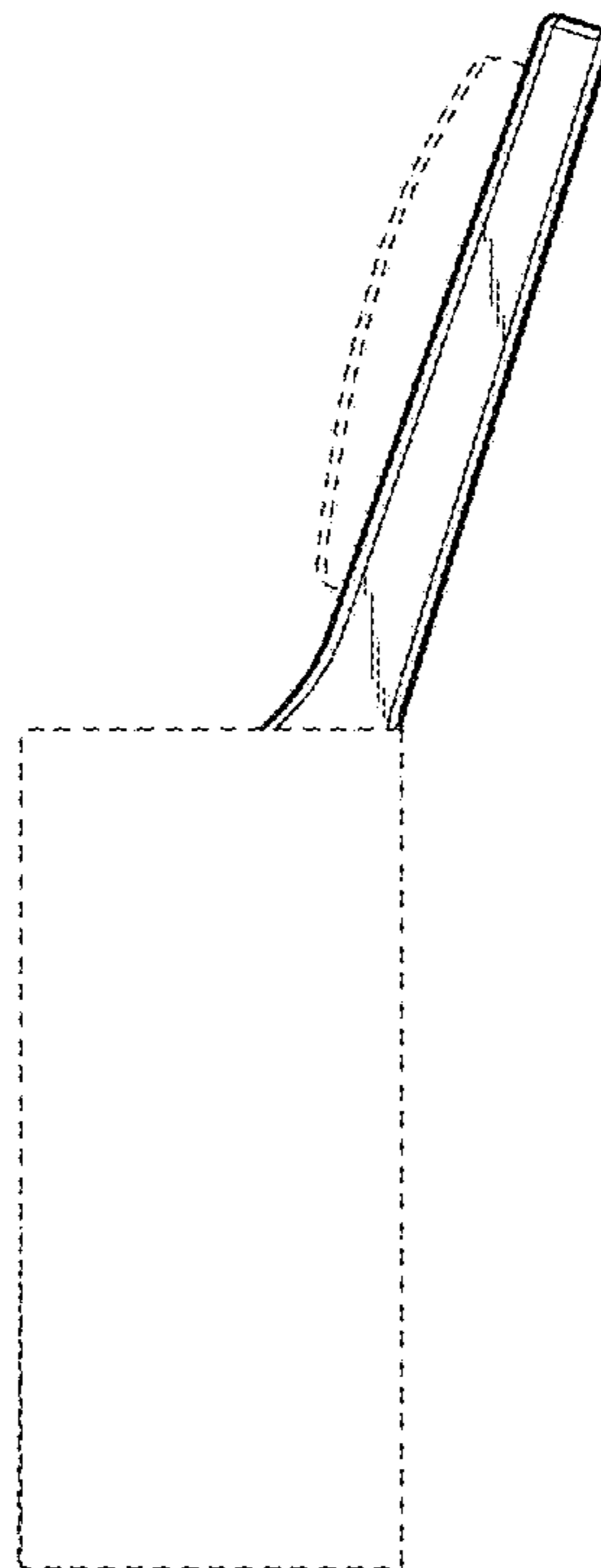


Fig. 10

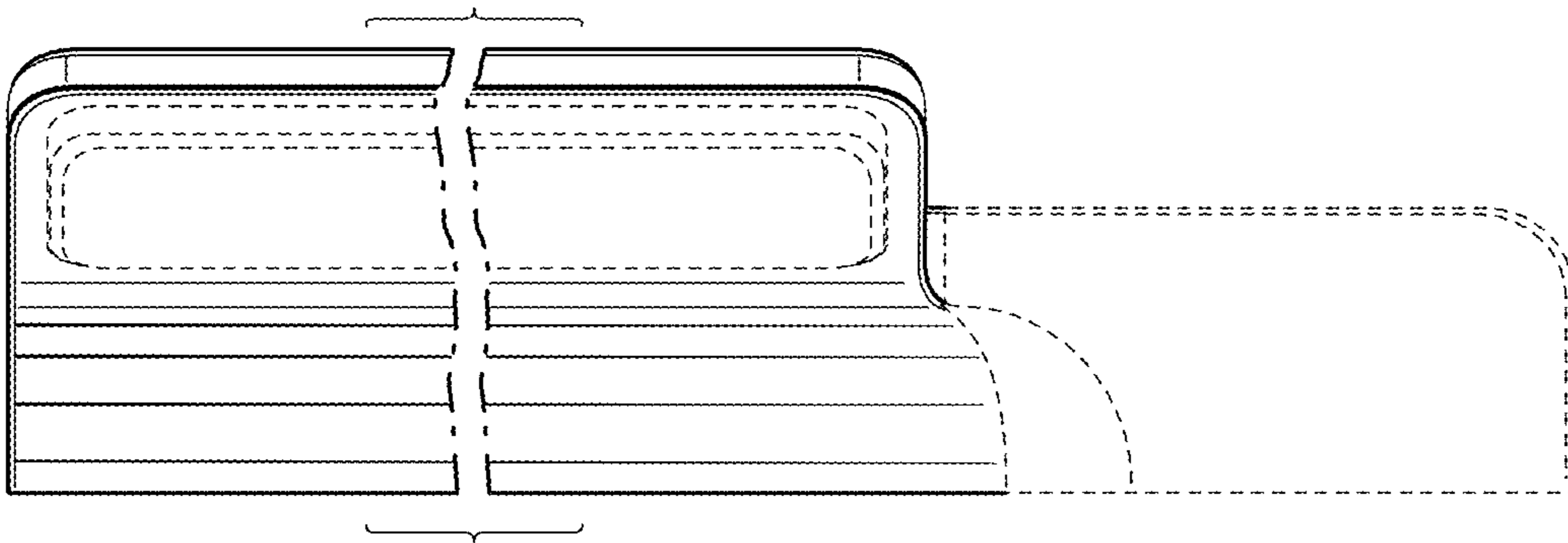


Fig. 11

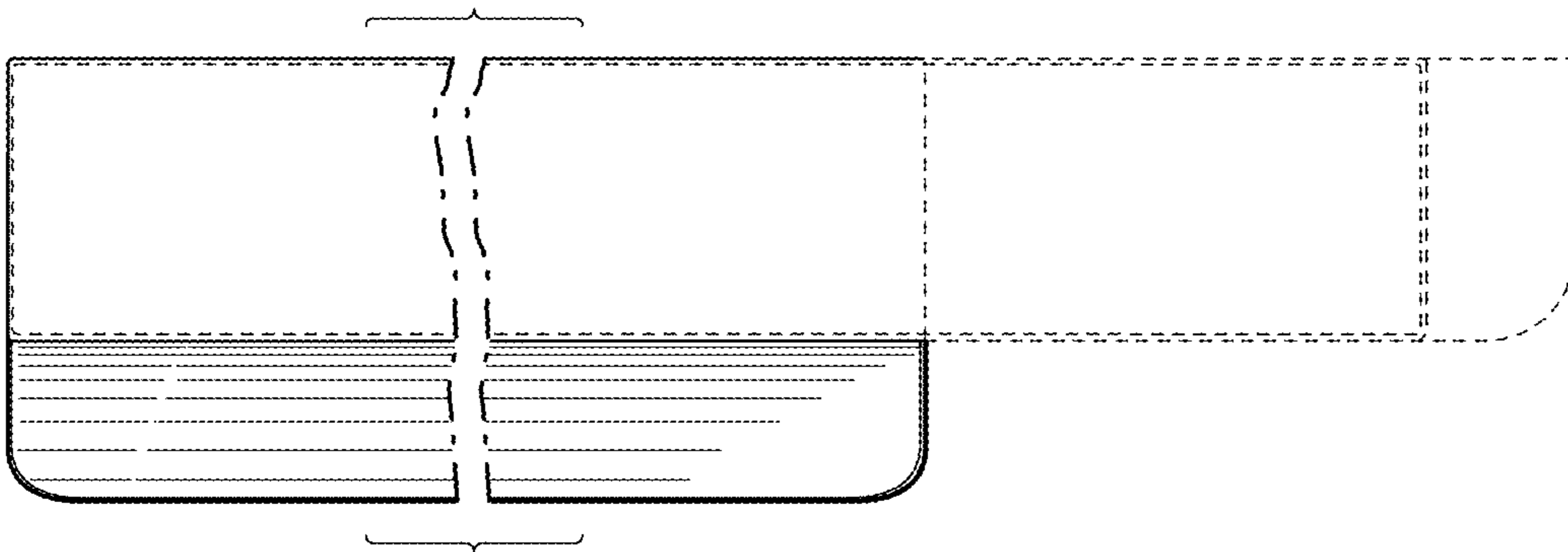


Fig. 12

