



US00D810447S

(12) **United States Design Patent**
Dandridge et al.

(10) **Patent No.:** **US D810,447 S**
(45) **Date of Patent:** **** Feb. 20, 2018**

(54) **BODY BRUSH**

(71) Applicant: **Spectrum Brands, Inc.**, Middleton, WI (US)

(72) Inventors: **Bryan Keith Dandridge**, Waukesha, WI (US); **Seung Il Kim**, Madison, WI (US)

(73) Assignee: **Spectrum Brands, Inc.**, Middleton, WI (US)

(**) Term: **15 Years**

(21) Appl. No.: **29/617,027**

(22) Filed: **Sep. 11, 2017**

Related U.S. Application Data

(63) Continuation of application No. 29/550,097, filed on Dec. 30, 2015, now Pat. No. Des. 797,461.

(51) **LOC (11) Cl.** **04-02**

(52) **U.S. Cl.**
USPC **D4/127**

(58) **Field of Classification Search**
USPC D4/122, 127, 131, 132, 133, 134, 135, D4/130, 199, 138; D24/211, 212, 213, D24/214, 215, 218; D28/7, 63; D32/40, D32/43, 45
CPC .. A46B 5/02; A46B 9/02; A46B 9/026; A46B 2200/102; A46B 2200/1006
See application file for complete search history.

(56) **References Cited**

U.S. PATENT DOCUMENTS

D45,441 S 3/1914 Williams
D46,240 S 8/1914 Williams
D51,319 S * 10/1917 Montgomery D4/127
1,913,462 A * 6/1933 Timar A61H 7/003
601/135
2,090,050 A * 8/1937 Jackson A61H 7/003
601/137

D140,384 S 2/1945 Latshaw
2,408,860 A 10/1946 Lindblad
2,448,846 A 9/1948 Trochim
(Continued)

FOREIGN PATENT DOCUMENTS

CA 167146 10/2016
CA 167149 10/2016
(Continued)

OTHER PUBLICATIONS

Picture of body brush in article entitled, How to Dry Brush Your Skin (and Why You Should!) [on-line]. Published on the Internet Mar. 10, 2015; retrieved from the Internet on May 28, 2017. URL: <<https://beautyeditor.ca/2015/03/10/how-to-dry-brush-your-body>>. (7 pages) (Year: 2017).*

(Continued)

Primary Examiner — Karen E Eldridge Powers
(74) *Attorney, Agent, or Firm* — Banner & Witcoff, Ltd.

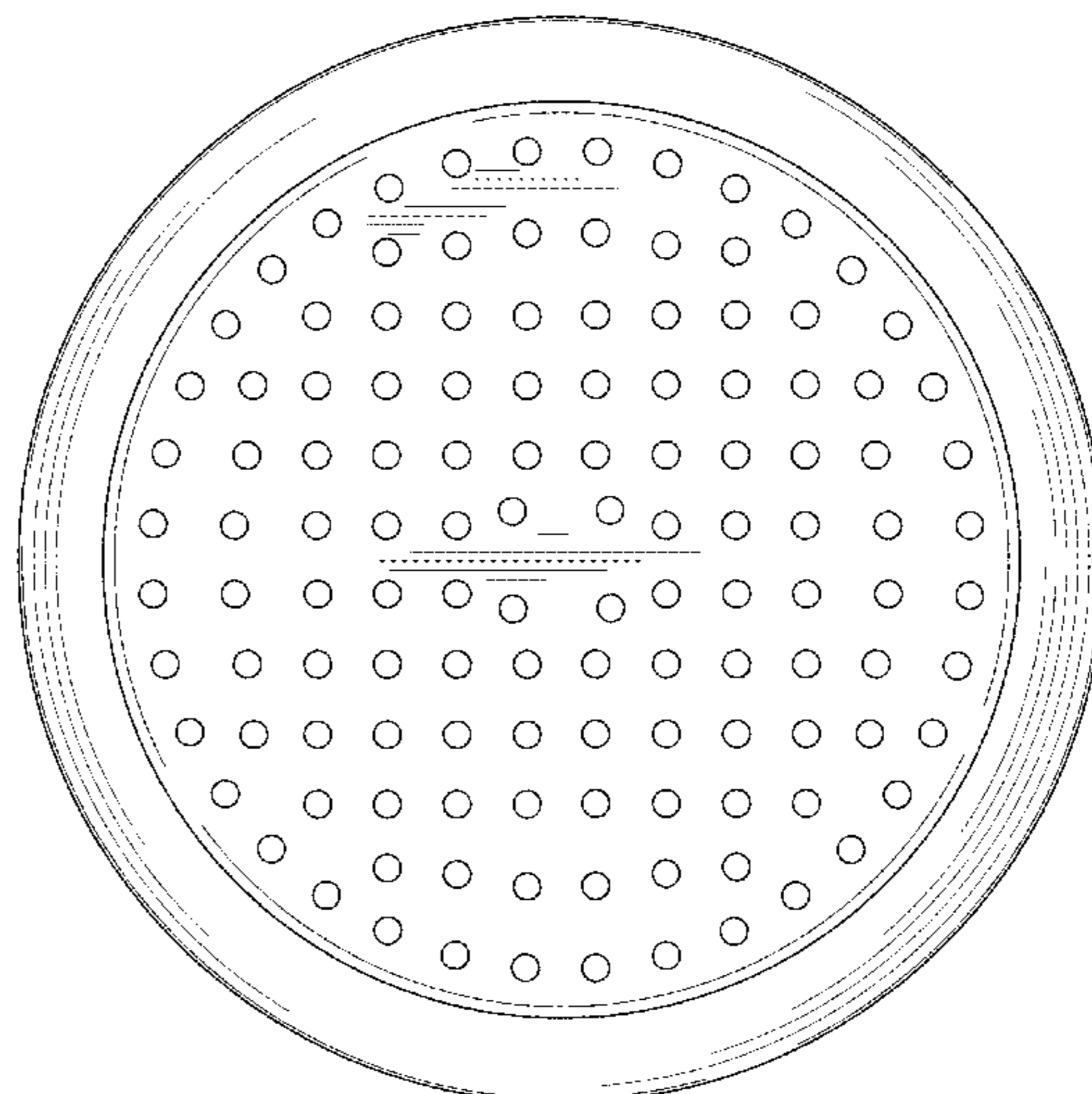
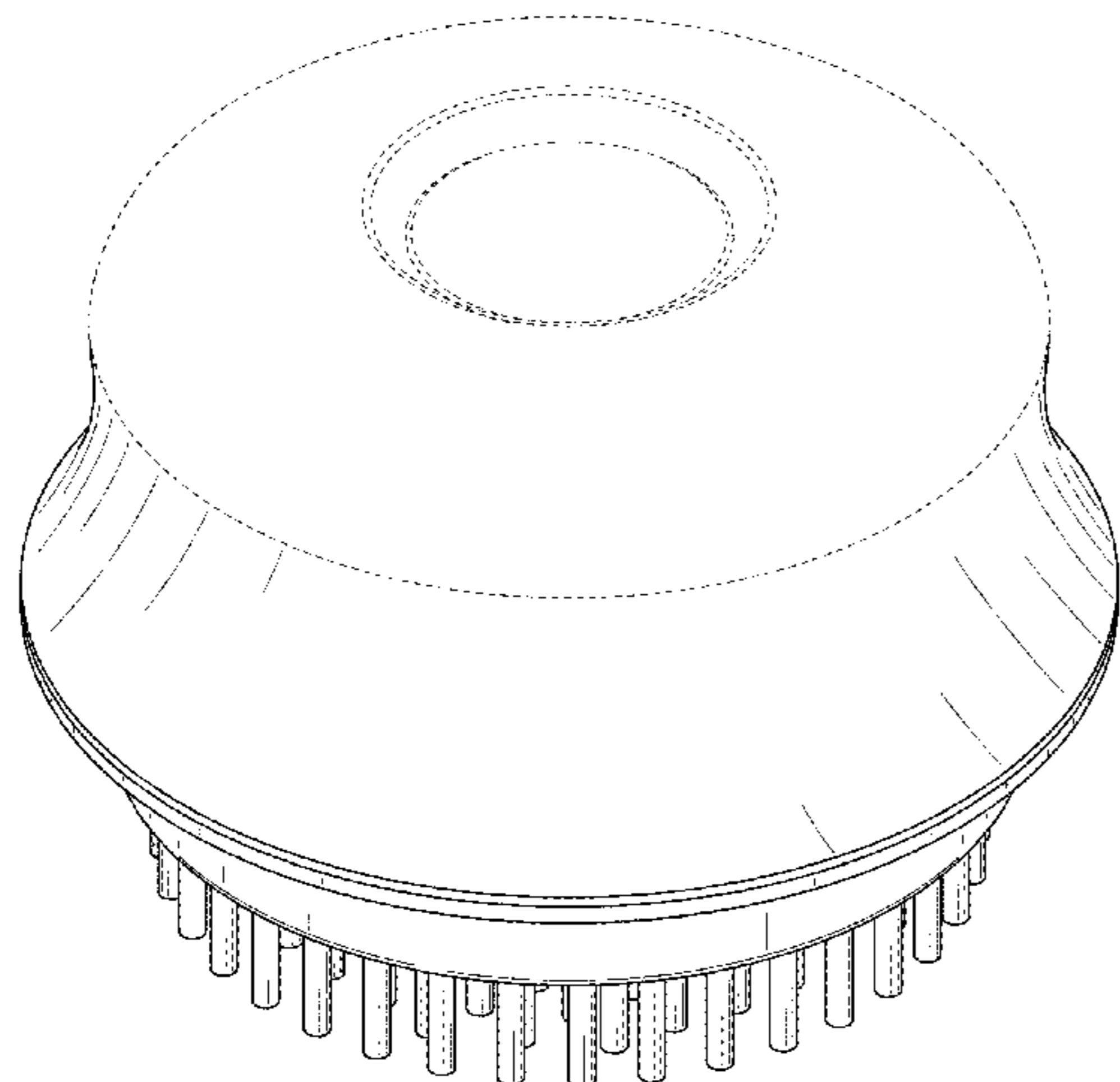
(57) **CLAIM**

The ornamental design for a body brush, as shown and described.

DESCRIPTION

FIG. 1 is a front, top perspective view of a body brush showing our new design;
FIG. 2 is a front elevation view thereof;
FIG. 3 is a rear elevation view thereof;
FIG. 4 is a right side elevation view thereof;
FIG. 5 is a left side elevation view thereof;
FIG. 6 is a top plan view thereof; and,
FIG. 7 is a bottom plan view thereof.
The broken line showing of the various unshaded elements of the body brush represents unclaimed subject matter and forms no part of the claimed design.

1 Claim, 7 Drawing Sheets



(56)

References Cited

U.S. PATENT DOCUMENTS

2,476,921 A * 7/1949 Shock A61H 7/001
 482/79
 D166,124 S * 3/1952 Pearce D28/63
 D266,116 S 9/1982 Deconinck
 D362,965 S 10/1995 Tastanis
 D440,768 S 4/2001 Chen
 D448,573 S 10/2001 Chen
 D505,749 S 5/2005 Angeletta
 D554,816 S 11/2007 Lee et al.
 D589,257 S 3/2009 Van Wambeke
 D601,803 S 10/2009 Reishus et al.
 8,061,919 B2 11/2011 Grajeda
 D675,333 S 1/2013 Luzon et al.
 D715,558 S 10/2014 Brewer
 D734,949 S 7/2015 Behnam
 D746,062 S 12/2015 Pan et al.
 D756,033 S 5/2016 Gordon et al.
 D784,026 S 4/2017 Shen
 D795,593 S 8/2017 Huang
 D796,848 S * 9/2017 Dandridge D4/127
 D797,461 S * 9/2017 Dandridge D4/127
 2007/0000566 A1 1/2007 Gueret
 2008/0166178 A1 7/2008 Grajeda
 2015/0216371 A1 8/2015 Cassidy
 2016/0137345 A1 5/2016 Grodsky et al.

FOREIGN PATENT DOCUMENTS

CN 3027219 9/1994
 CN 3034099 8/1995
 CN 3456291 6/2005
 CN 3624931 3/2007
 CN 300757968 3/2008
 CN 302822522 S 5/2014
 CN 302827440 5/2014
 CN 302832279 S 6/2014

CN 303783919 8/2016
 EM 002477851-0002 7/2014
 FI M20050083-0008 10/2005
 FI M20050083-0010 10/2005
 FI M20050083-0012 10/2005
 WO D091038-0004 9/2016
 WO D091038-0005 9/2016
 WO D094227-0001 1/2017
 WO D094227-0002 1/2017

OTHER PUBLICATIONS

Remington BB1000 Wet and Dry Rotating Exfoliating Body Brush: Amazon.co.uk: Health & Personal Care [on-line]. First available on Amazon May 4, 2016; retrieved from the Internet May 28, 2017. URL: <<https://www.amazon.co.uk/Remington-BB1000-Rotating-Exfoliating-Brush/dp/B01FAWGYJI>>. (6 pages) (Year: 2016).*

BB1000 Reveal Body Brush [on-line]. Publication date unknown; retrieved from the Internet May 28, 2017. URL <<http://en.remington-europe.com/beauty-and-wellbeing/body-brushes/reveal-body-brush-bb1000.html>>. (2 pages) (Year: 2017).*

Remington Reveal BB1000 Body Brush Users Guide [on-line]. Publication date unknown; retrieved from the Internet May 28, 2017. URL: <http://en.remington-europe.com/pdf/bb1000_int.pdf>. (12 pages) (Year: 2017).*

Listing of companies that are held by Spectrum Brands (on-line). Published at least as early as Oct. 4, 2015; retrieved from the Internet on May 28, 2017. URL:<<http://www.spectrumbrands.com/aboutus/>>. (1 page).

Kent FD11 Beech wood shower/exfoliating brush (on-line). Publication date unknown; retrieved from the Internet Sep. 19, 2017. URL:<<https://kentbrushes.com/ranges/body-brushes/fd11>>.

Remington BB1000 Reveal Body Brush (on-line). Publication date unknown but prior to filing date; retrieved from the Internet Sep. 19, 2017. URL: <<https://www.shavers.co.uk/remington-bb1000-reveal-body-brush.html>>.

* cited by examiner

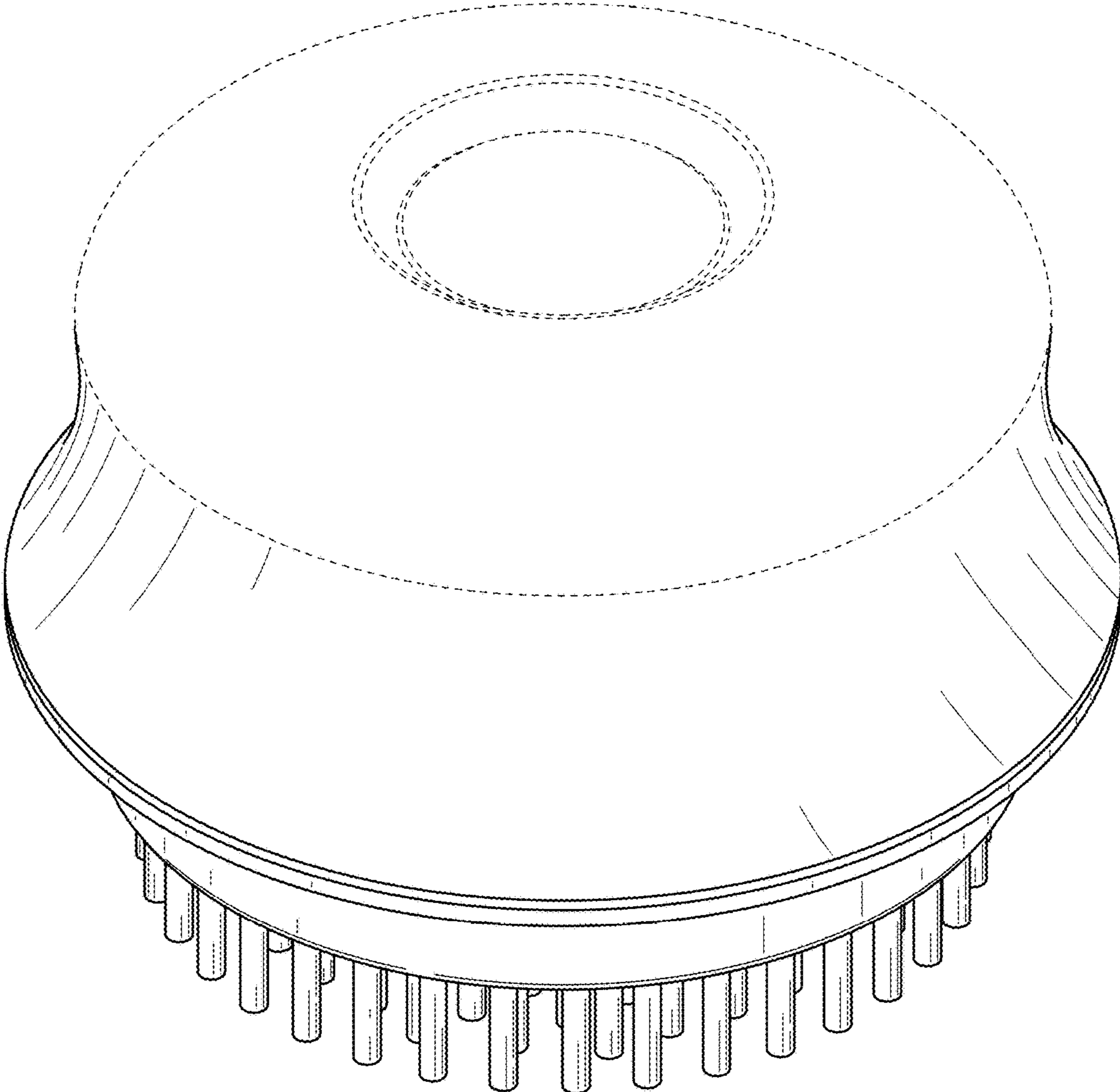


FIG. 1

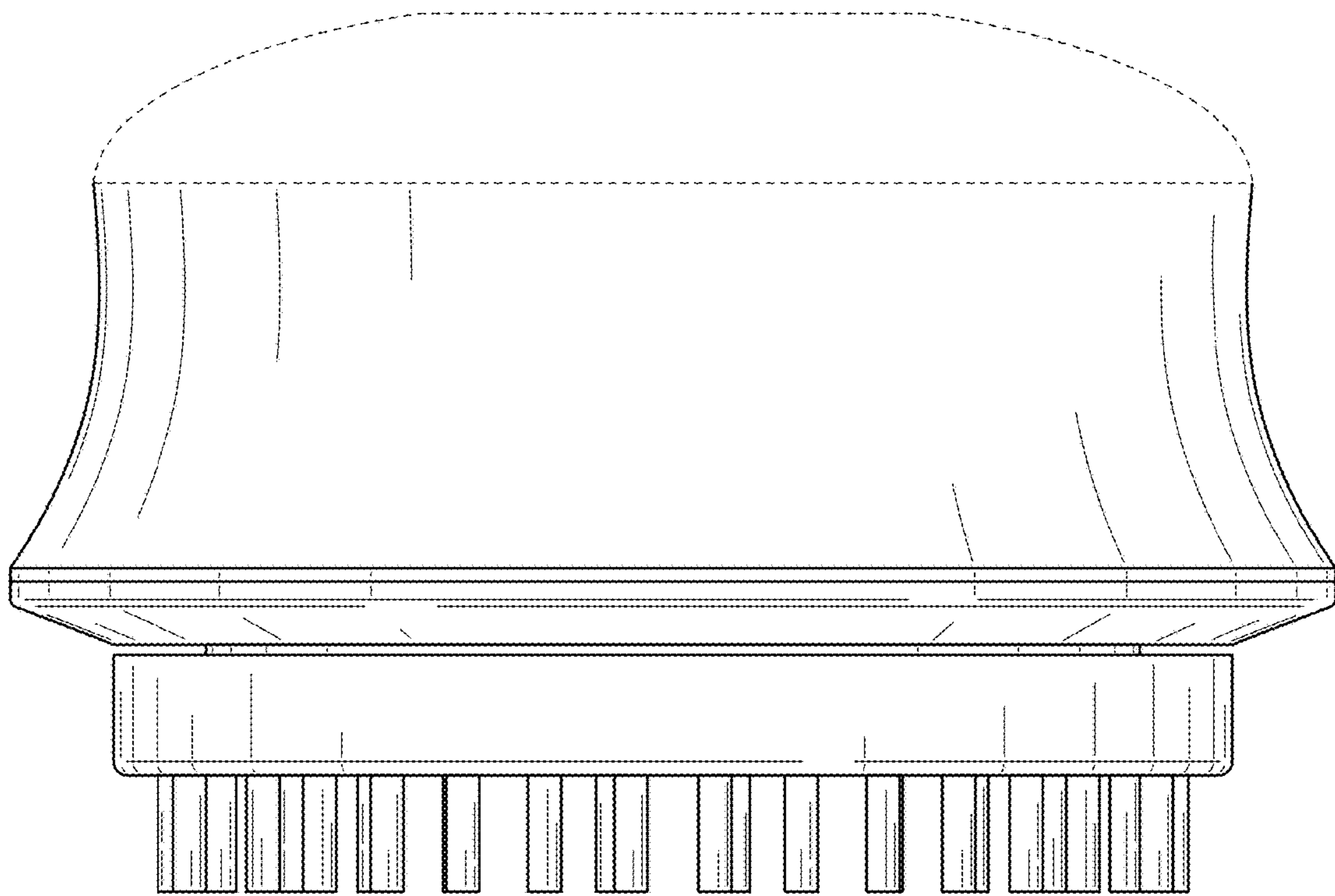


FIG. 2

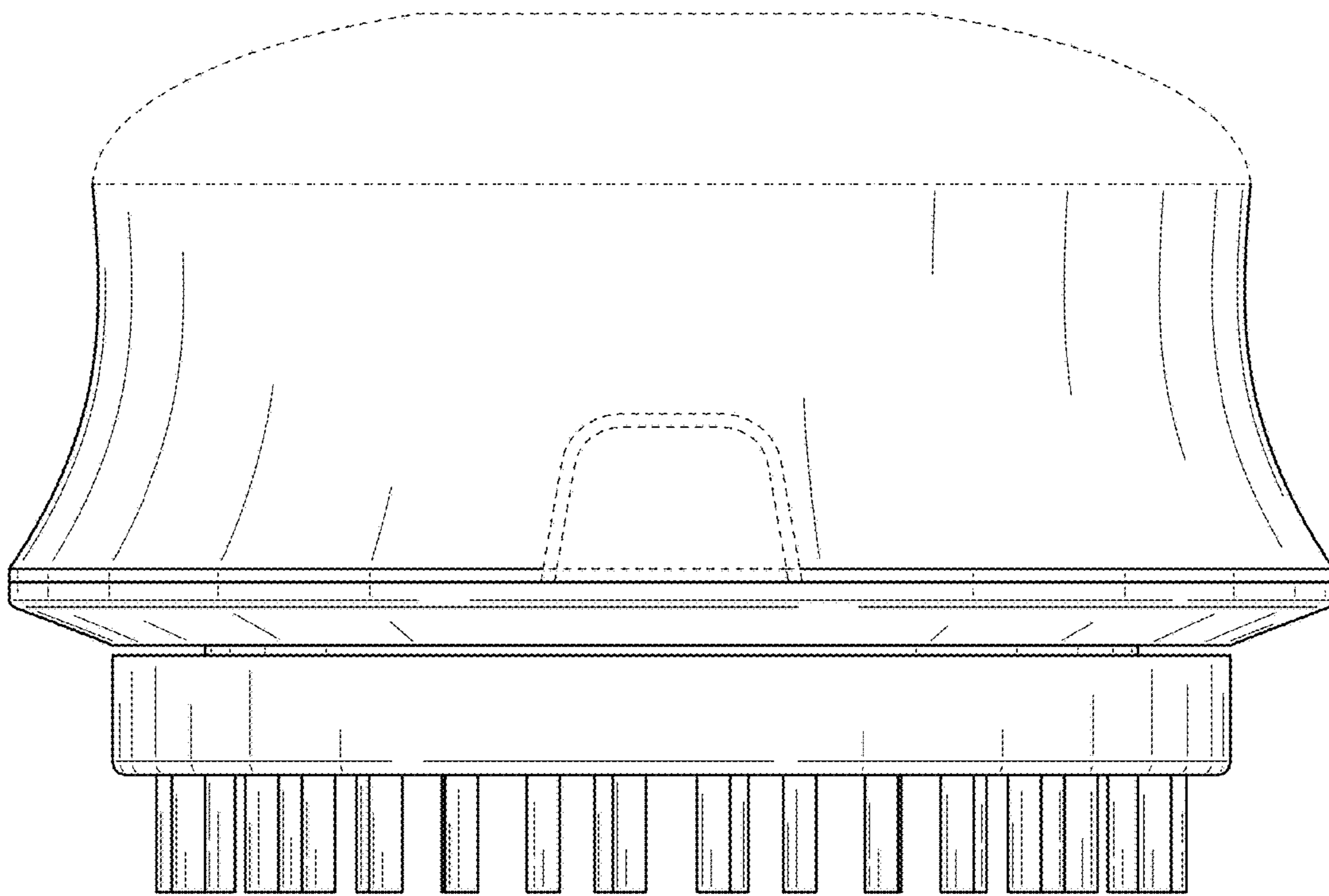


FIG. 3

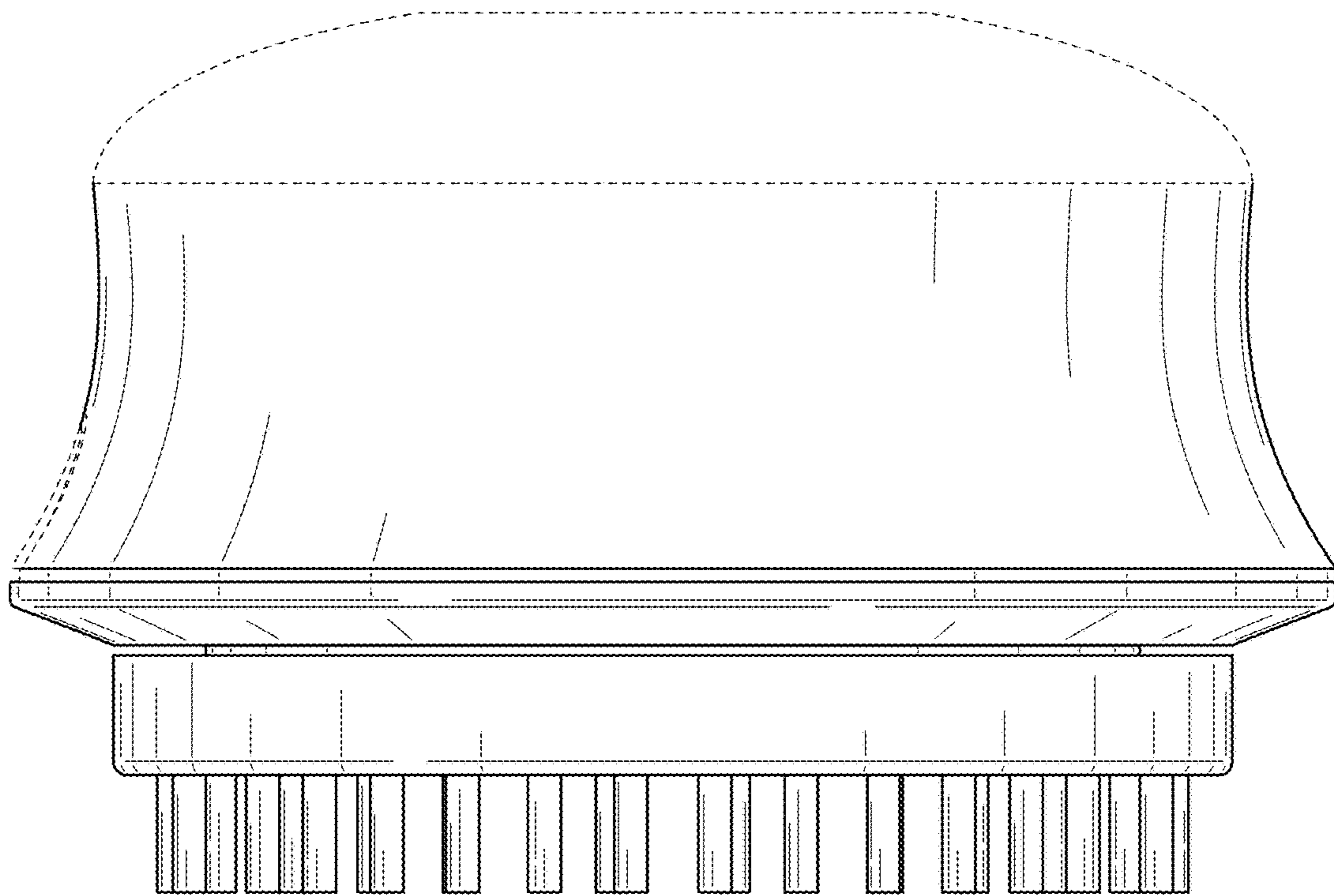


FIG. 4

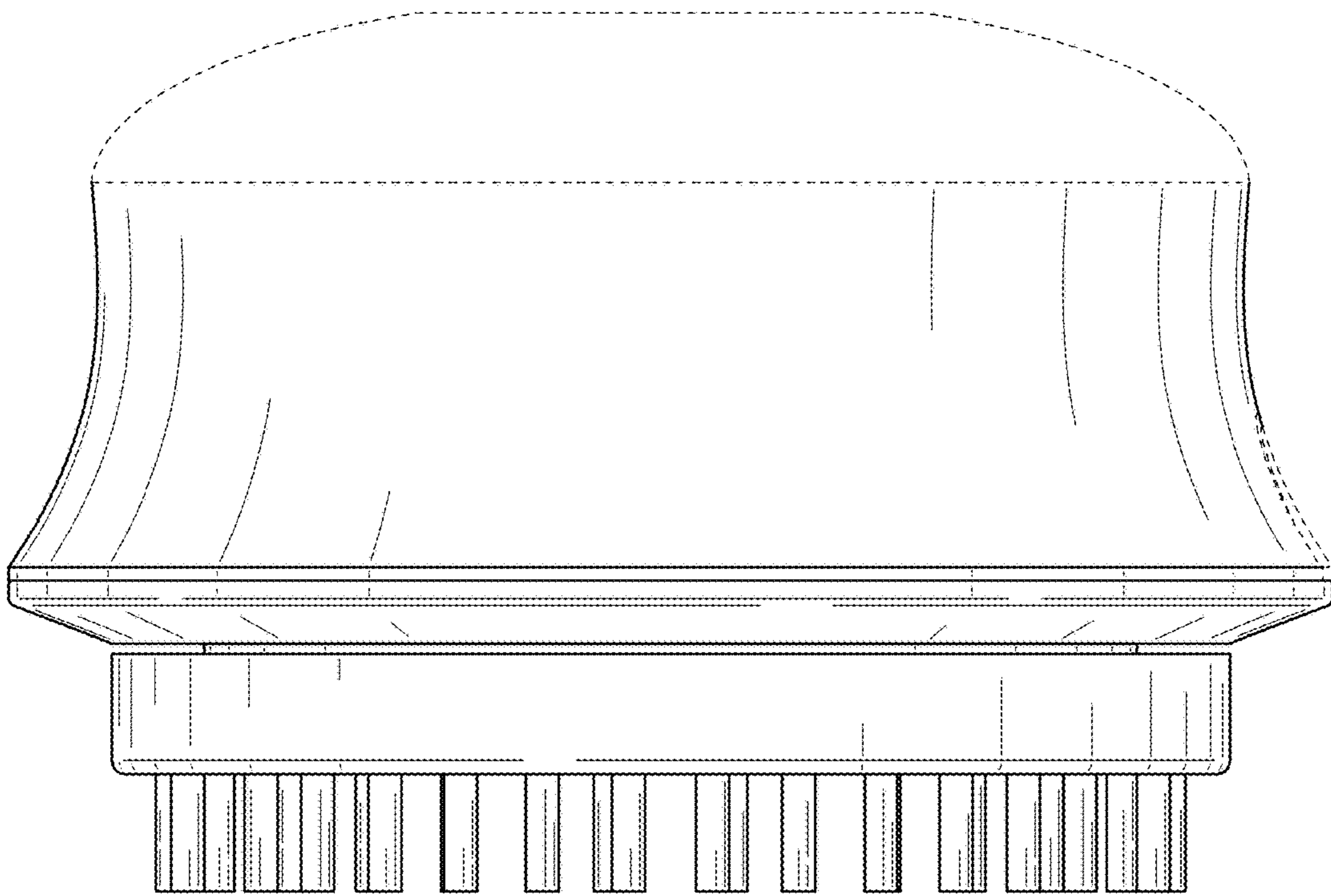


FIG. 5

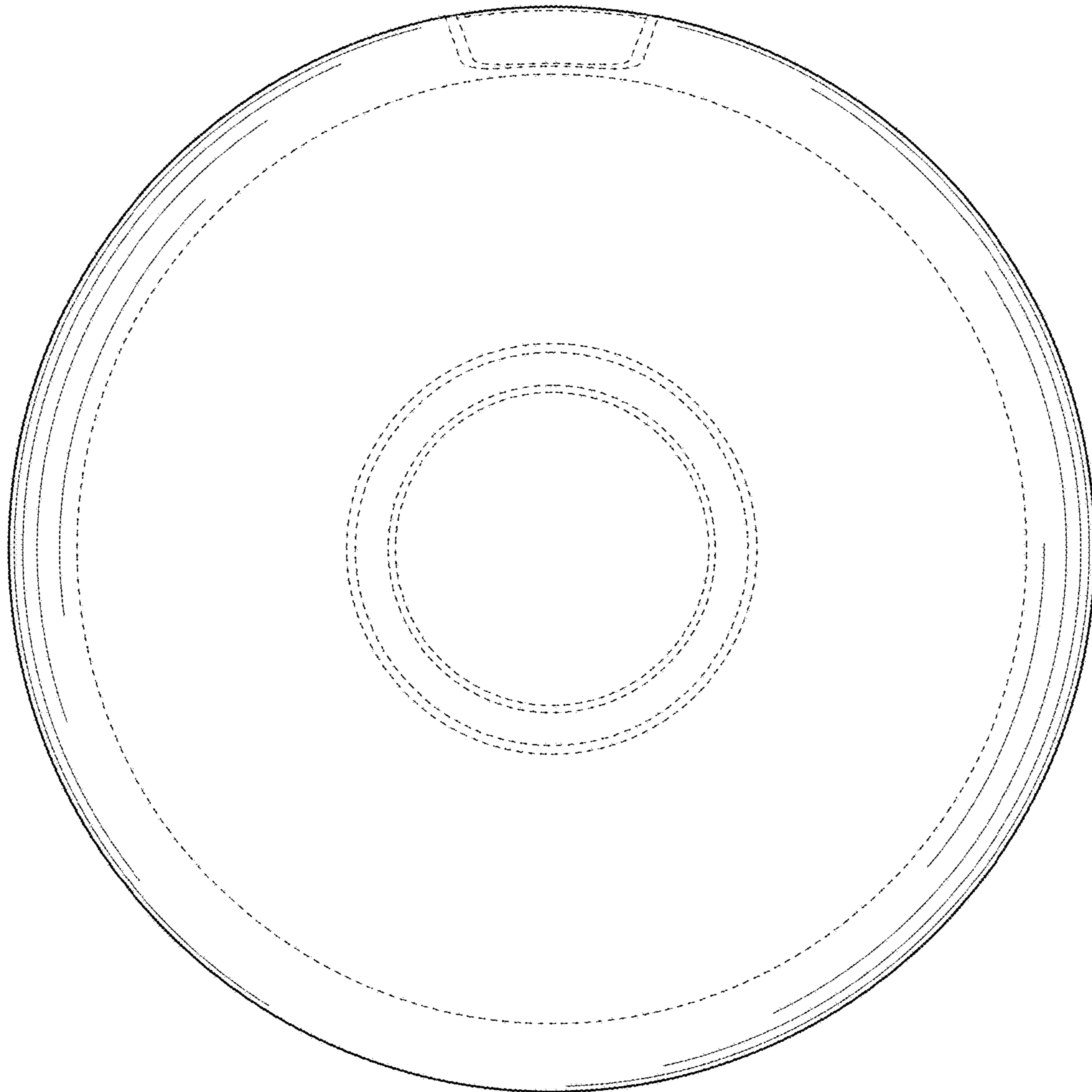


FIG. 6

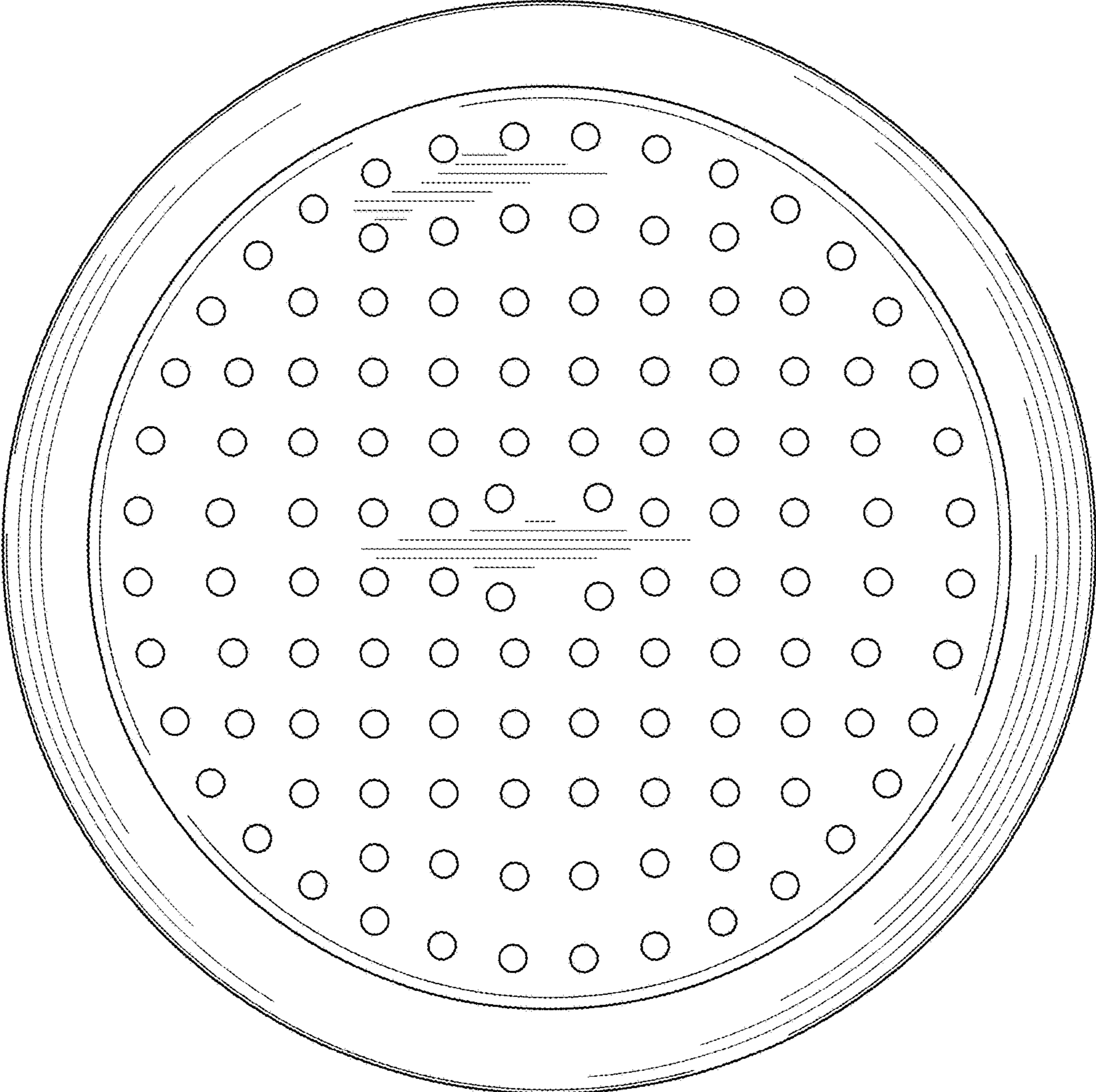


FIG. 7