



US00D810446S

(12) **United States Design Patent** (10) **Patent No.:** **US D810,446 S**  
**Akashi et al.** (45) **Date of Patent:** **\*\* Feb. 20, 2018**

(54) **WHEEL BRUSH**

(71) Applicants: **TAIMEI CHEMICALS CO., LTD.**,  
Nagano (JP); **XEBEC**  
**TECHNOLOGY CO., LTD.**, Tokyo  
(JP)

(72) Inventors: **Mitsuhisa Akashi**, Nagano (JP); **Koji**  
**Sato**, Tokyo (JP)

(73) Assignees: **TAIMEI CHEMICALS CO., LTD.**,  
Nagano (JP); **XEBEC**  
**TECHNOLOGY CO., LTD.**, Tokyo  
(JP)

(\*\*) Term: **15 Years**

(21) Appl. No.: **29/577,187**

(22) Filed: **Sep. 9, 2016**

(30) **Foreign Application Priority Data**

Jul. 15, 2016 (JP) ..... D2016-15258

(51) **LOC (11) Cl.** ..... **04-02**

(52) **U.S. Cl.**  
USPC ..... **D4/102**

(58) **Field of Classification Search**  
USPC ..... D4/104, 105, 109, 110, 111, 113, 114,  
D4/115, 116, 117, 118, 119, 120, 121,  
D4/127, 128, 129, 130, 131, 132, 133,  
D4/134, 135, 136, 137, 138, 199;  
D32/25, 32, 33, 39, 40, 41, 42  
CPC ..... A61C 3/005; A61C 9/002; A61C 3/03;  
A46B 5/02; A46B 9/02; A46B 2200/30;  
A46B 2200/1066; A46B 9/10; A46B  
13/001; A46B 13/008; A46B 2200/3046;  
A46B 2200/3086; A46B 2200/3093

See application file for complete search history.

(56) **References Cited**

U.S. PATENT DOCUMENTS

727,256	A *	5/1903	Atwater	.....	A46B 13/001	15/179
2,790,985	A *	5/1957	Harlan	.....	A46B 13/001	15/183
2,879,534	A *	3/1959	Swanson	.....	A46B 13/001	15/179
3,584,328	A *	6/1971	Lechene et al.	.....	A46B 13/02	15/179
D369,447	S *	4/1996	Mann	.....	D32/19	
D378,003	S *	2/1997	Eichinger	.....	D32/25	
D378,004	S *	2/1997	Wilson	.....	D32/25	
6,001,448	A *	12/1999	Zigerlig	.....	A46B 13/001	428/67
6,309,291	B1 *	10/2001	Cox	.....	A46B 13/001	15/179
6,312,257	B1 *	11/2001	Aschmann	.....	A46B 13/001	15/167.1
D455,012	S *	4/2002	Perez	.....	D4/105	
6,490,750	B2 *	12/2002	Shia	.....	A46B 13/001	15/179
D527,186	S *	8/2006	Ma	.....	D4/102	
D536,176	S *	2/2007	Ramirez	.....	D32/50	
D546,066	S *	7/2007	Rothman	.....	D4/102	
7,434,289	B2 *	10/2008	Sumiyoshi	.....	A46B 13/008	15/179
7,743,683	B2 *	6/2010	Dayton	.....	B25F 3/00	173/216

(Continued)

*Primary Examiner* — Karen E Eldridge Powers

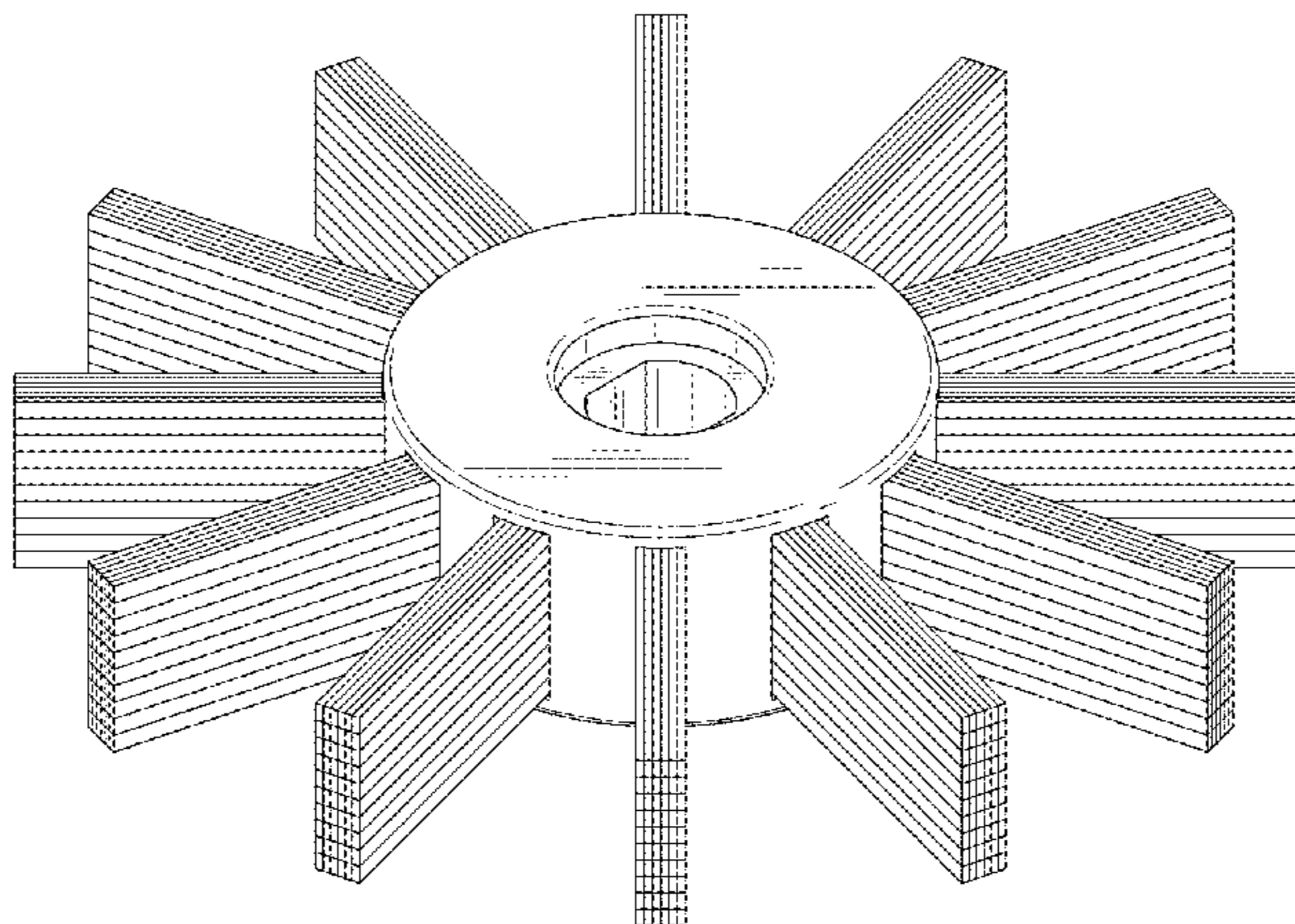
(57) **CLAIM**

The ornamental design for a wheel brush, as shown and described.

**DESCRIPTION**

FIG. 1 is a front elevational view of a wheel brush showing our new design, a rear elevational view, a left side elevational view and a right side elevational view thereof being the same as the front elevational view thereof; FIG. 2 is a top plan view thereof, a bottom plan view thereof being the same as the top plan view thereof; and, FIG. 3 is a perspective view thereof.

**1 Claim, 3 Drawing Sheets**



(56)

**References Cited**

U.S. PATENT DOCUMENTS

8,393,044 B2 \* 3/2013 Favagrossa ..... B60S 3/06  
15/230.16  
8,495,786 B2 \* 7/2013 Naftal ..... A46B 3/00  
15/176.6  
D687,636 S \* 8/2013 Driesen ..... D4/101  
D734,614 S \* 7/2015 Driesen ..... D4/101  
9,199,613 B2 \* 12/2015 Belanger ..... A46B 13/001  
9,499,136 B2 \* 11/2016 Belanger ..... F21V 33/00  
9,668,569 B2 \* 6/2017 Trasforini ..... A46D 1/0207  
2010/0041324 A1 \* 2/2010 Shinoda ..... B24B 29/005  
451/466  
2010/0154153 A1 \* 6/2010 Hooper ..... A46B 3/10  
15/104.05  
2010/0190132 A1 \* 7/2010 Taylor ..... A61C 3/005  
433/80  
2016/0016293 A1 \* 1/2016 Matsushita ..... A46D 1/00  
451/532  
2017/0203736 A1 \* 7/2017 Belanger ..... A46B 7/10  
2017/0238691 A1 \* 8/2017 Stewart ..... A46B 13/02

\* cited by examiner

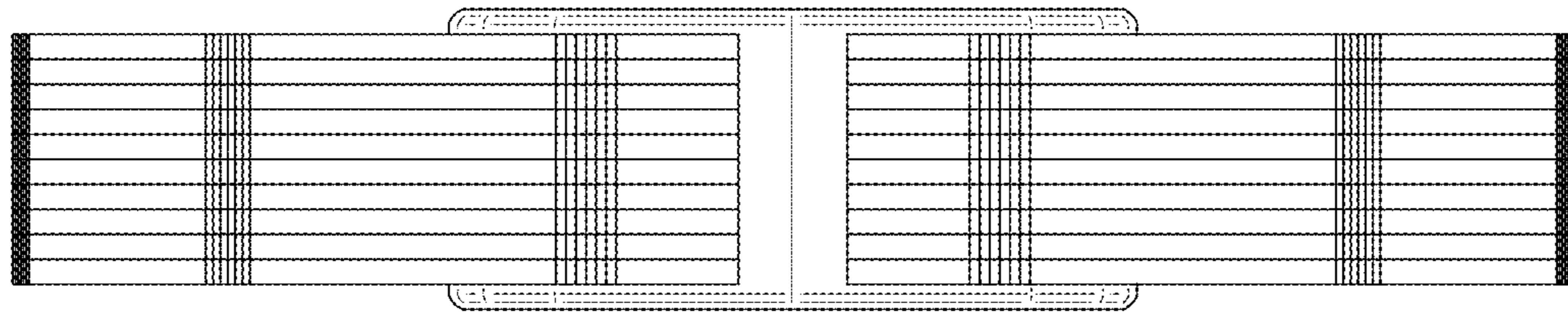


FIG. 1

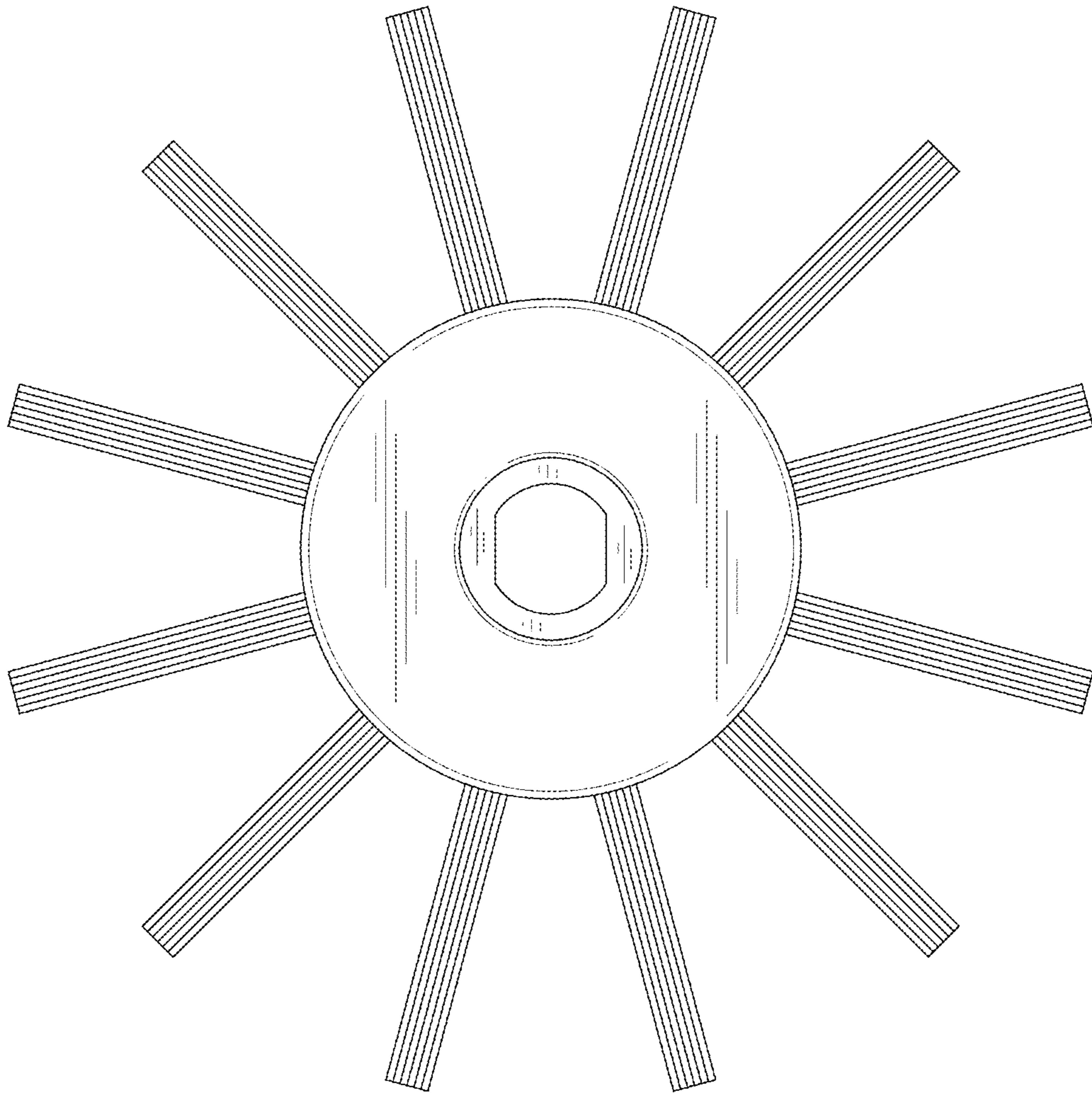


FIG. 2



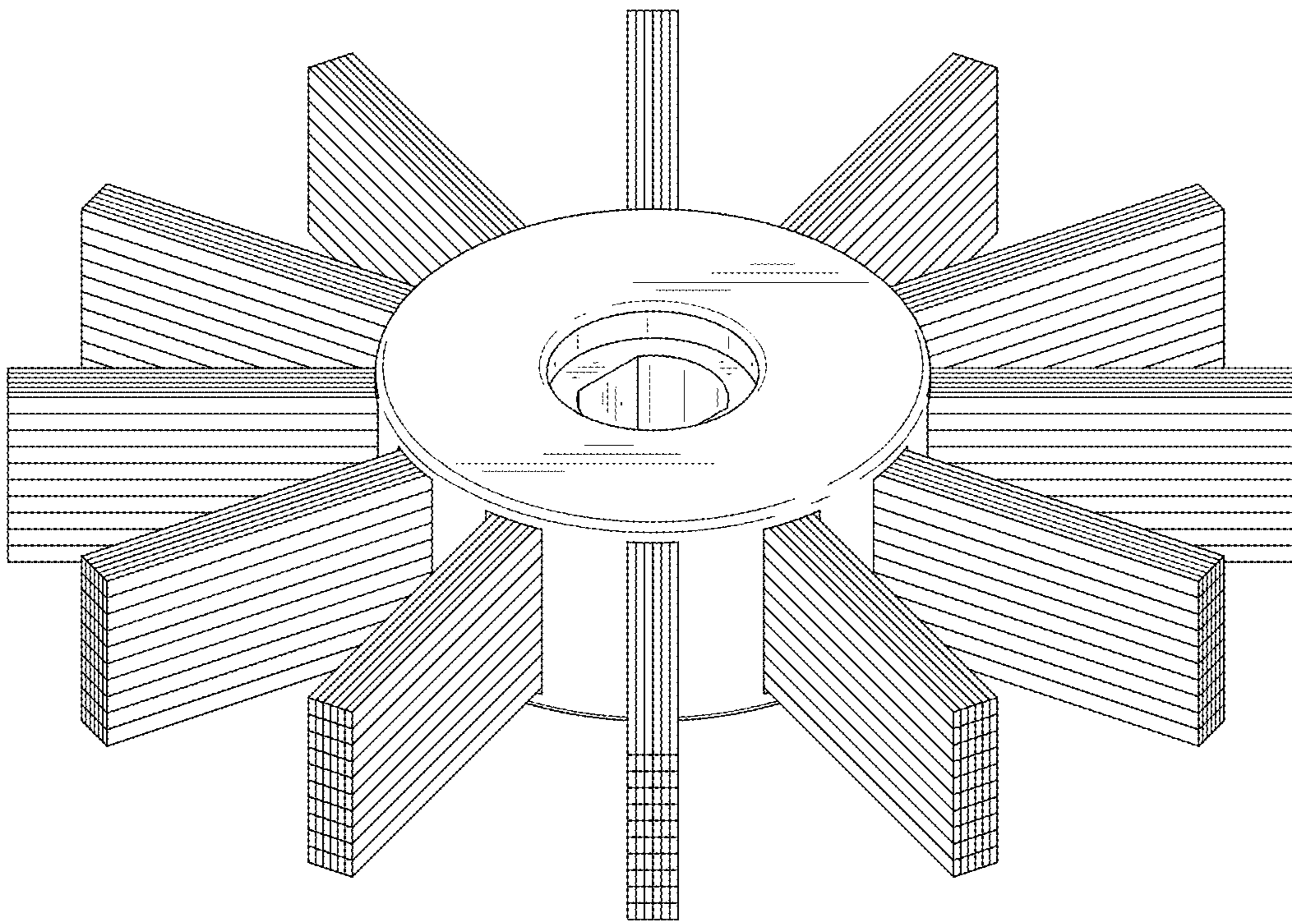


FIG. 3