



US00D810445S

(12) **United States Design Patent** (10) **Patent No.:** **US D810,445 S**
Wright et al. (45) **Date of Patent:** **** Feb. 20, 2018**

(54) **FOLDABLE INSERT**
(71) Applicant: **CATALYST LIFESTYLE LIMITED,**
North Point (HK)

6,640,944 B2 11/2003 Adams
8,281,970 B2 10/2012 Demskey
2013/0233661 A1 9/2013 Scott
2015/0342325 A1 12/2015 Wright

(72) Inventors: **Joshua Wright,** Hong Kong (CN);
June Lai, Hong Kong (CN)

FOREIGN PATENT DOCUMENTS

CA 2239921 A1 1/2000

(73) Assignee: **CATALYST LIFESTYLE LIMITED,**
North Point, Hong Kong (CN)

Primary Examiner — Holly Baynham

(74) *Attorney, Agent, or Firm* — Dinsmore & Shohl LLP

(**) Term: **15 Years**

(57) **CLAIM**

(21) Appl. No.: **29/616,463**

The ornamental design for a foldable insert, as shown and described.

(22) Filed: **Sep. 6, 2017**

DESCRIPTION

(51) **LOC (11) Cl.** **03-01**

(52) **U.S. Cl.**
USPC **D3/319**

(58) **Field of Classification Search**
USPC D3/319
CPC A45C 5/14; A45C 7/00
See application file for complete search history.

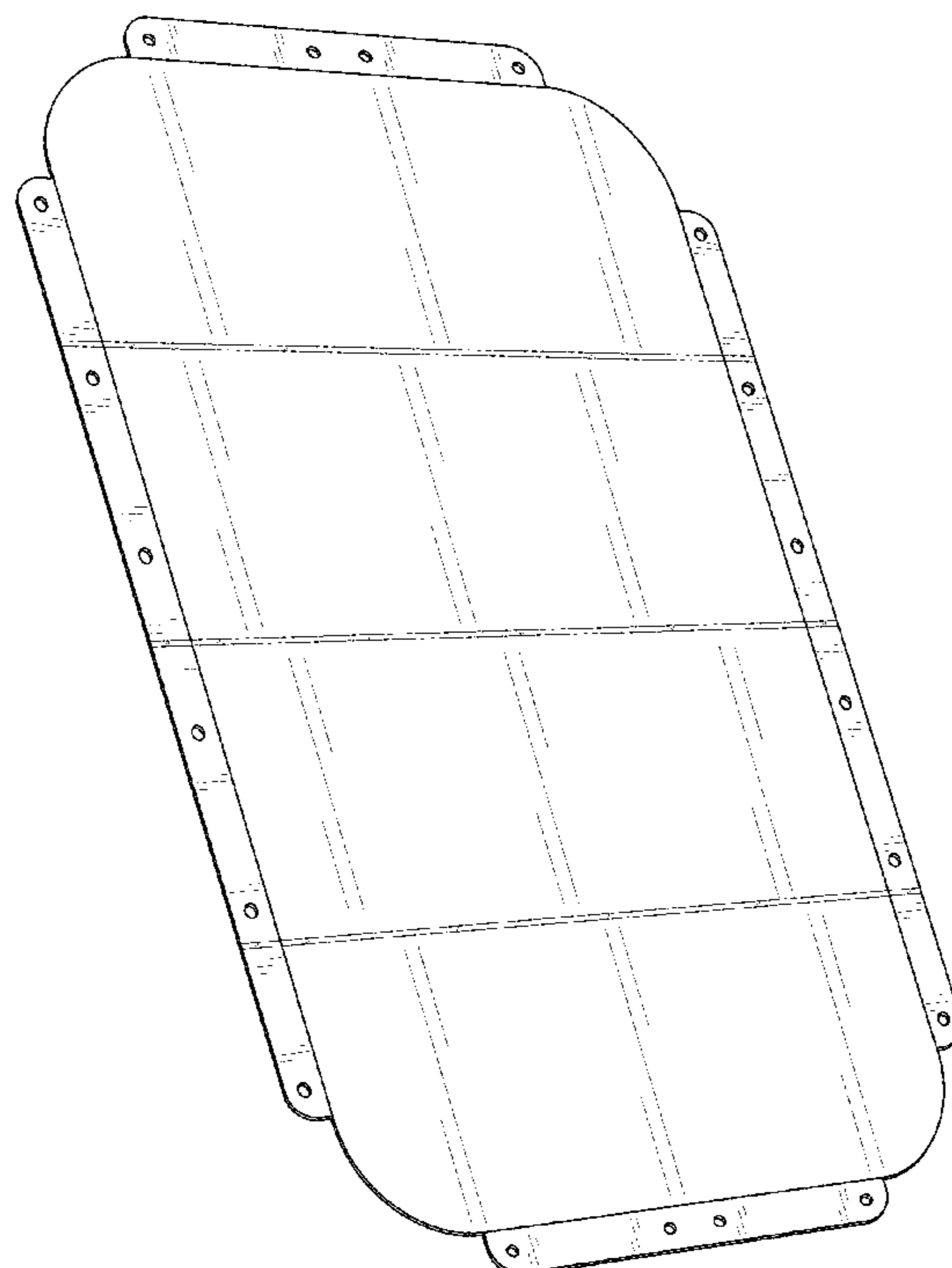
FIG. 1 is a perspective view including a front, bottom and one side of the foldable insert;
FIG. 2 is a perspective view including a rear, bottom and one side of the foldable insert;
FIG. 3 is a front elevation view of the foldable insert of FIG. 1;
FIG. 4 is a rear elevation view of the foldable insert of FIG. 1;
FIG. 5 is an side elevation view of the foldable insert of FIG. 1;
FIG. 6 is an opposite side elevation view of the foldable insert of FIG. 1;
FIG. 7 is top elevation view of the foldable insert of FIG. 1; and,
FIG. 8 is a bottom elevation view of the foldable insert of FIG. 1.

(56) **References Cited**

U.S. PATENT DOCUMENTS

2,802,617 A 8/1957 Roper
2,815,898 A 12/1957 Thompson
3,447,648 A 6/1969 Schwennicke
5,179,600 A 1/1993 Bailey et al.
5,292,197 A 3/1994 Reisman
5,322,362 A 6/1994 Smith
5,350,241 A 9/1994 Zoland
6,059,078 A 5/2000 Nykoluk
6,210,037 B1 4/2001 Brandon, Jr.

1 Claim, 6 Drawing Sheets



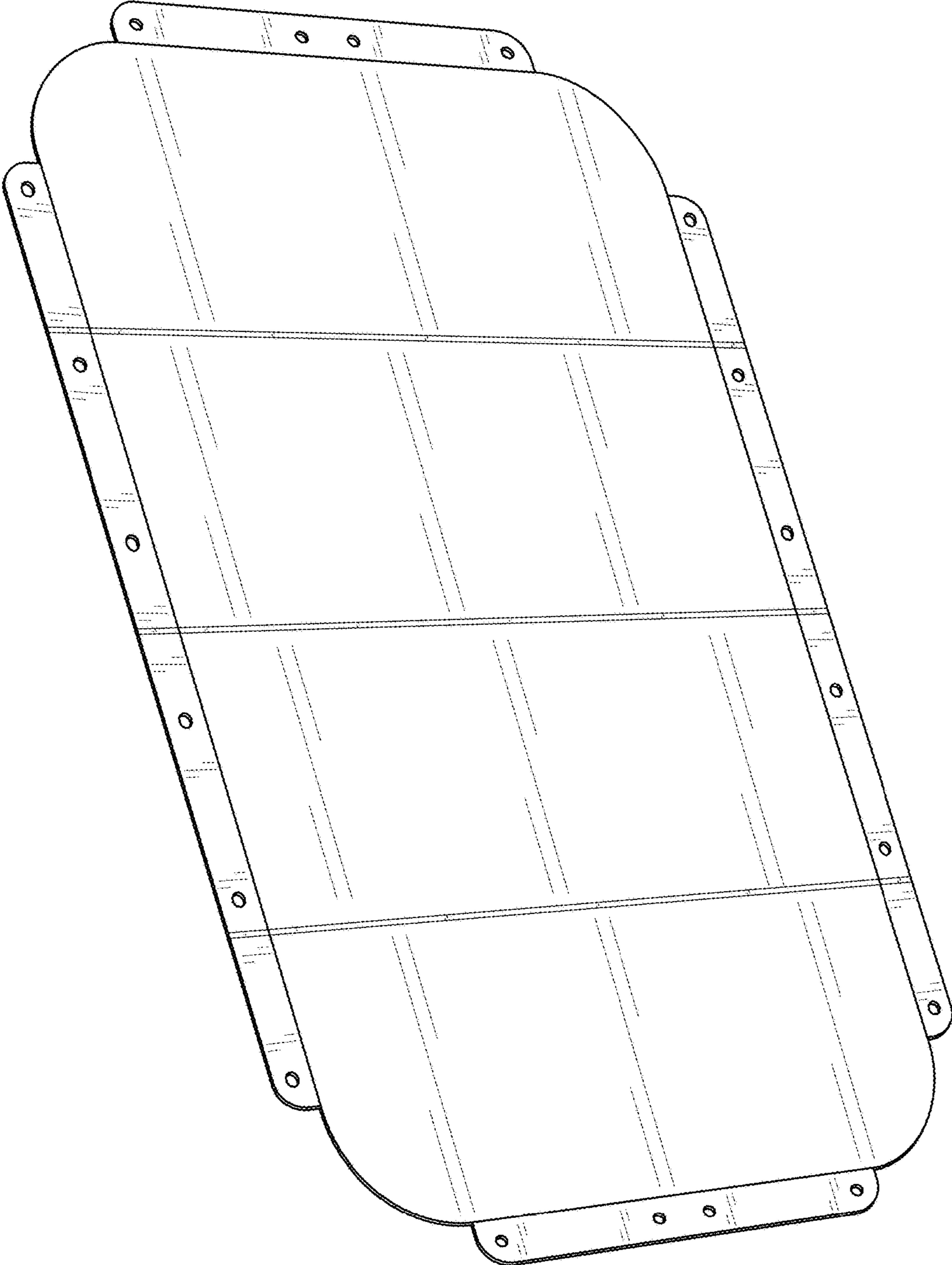


FIG. 1

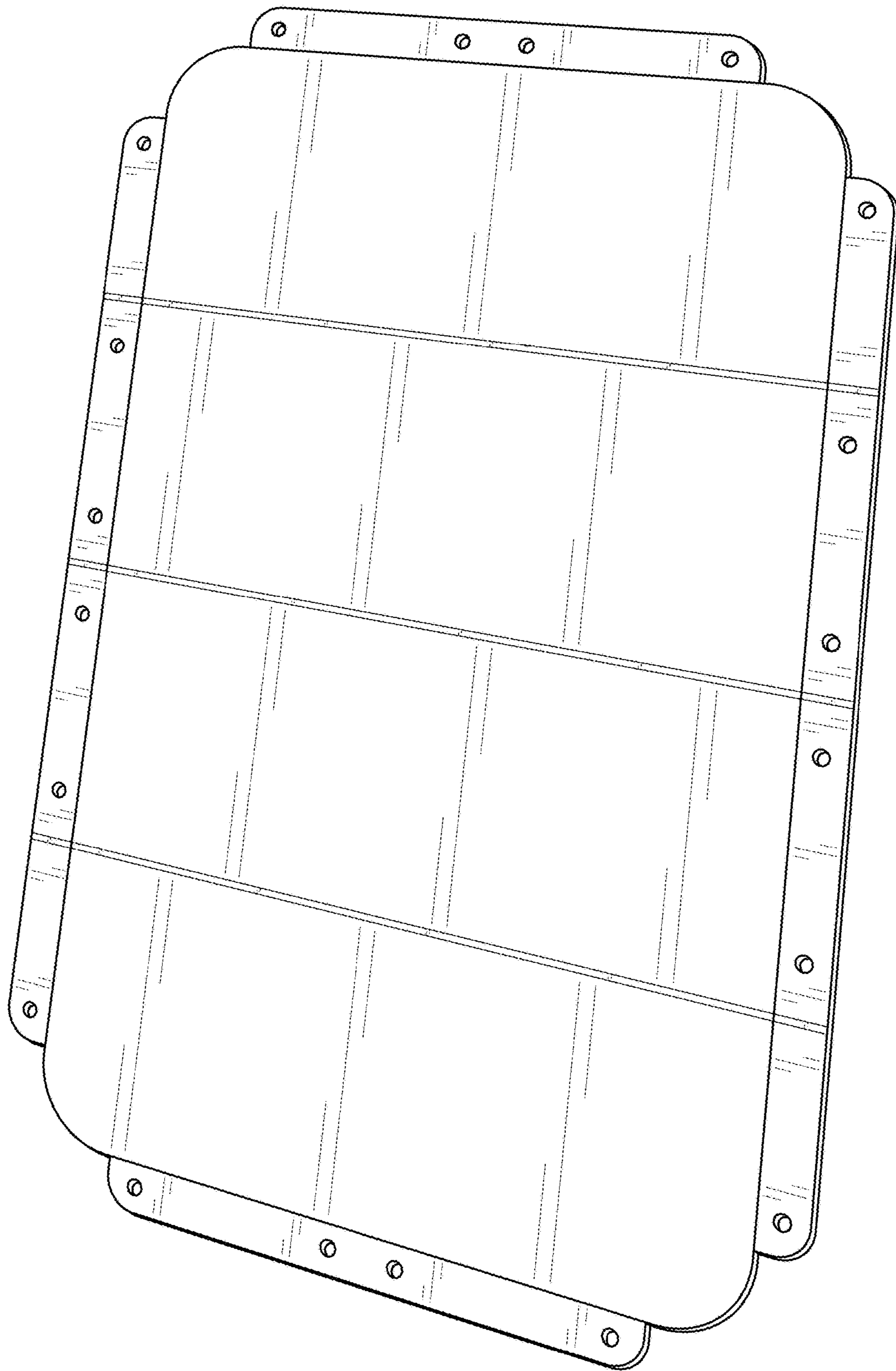


FIG. 2

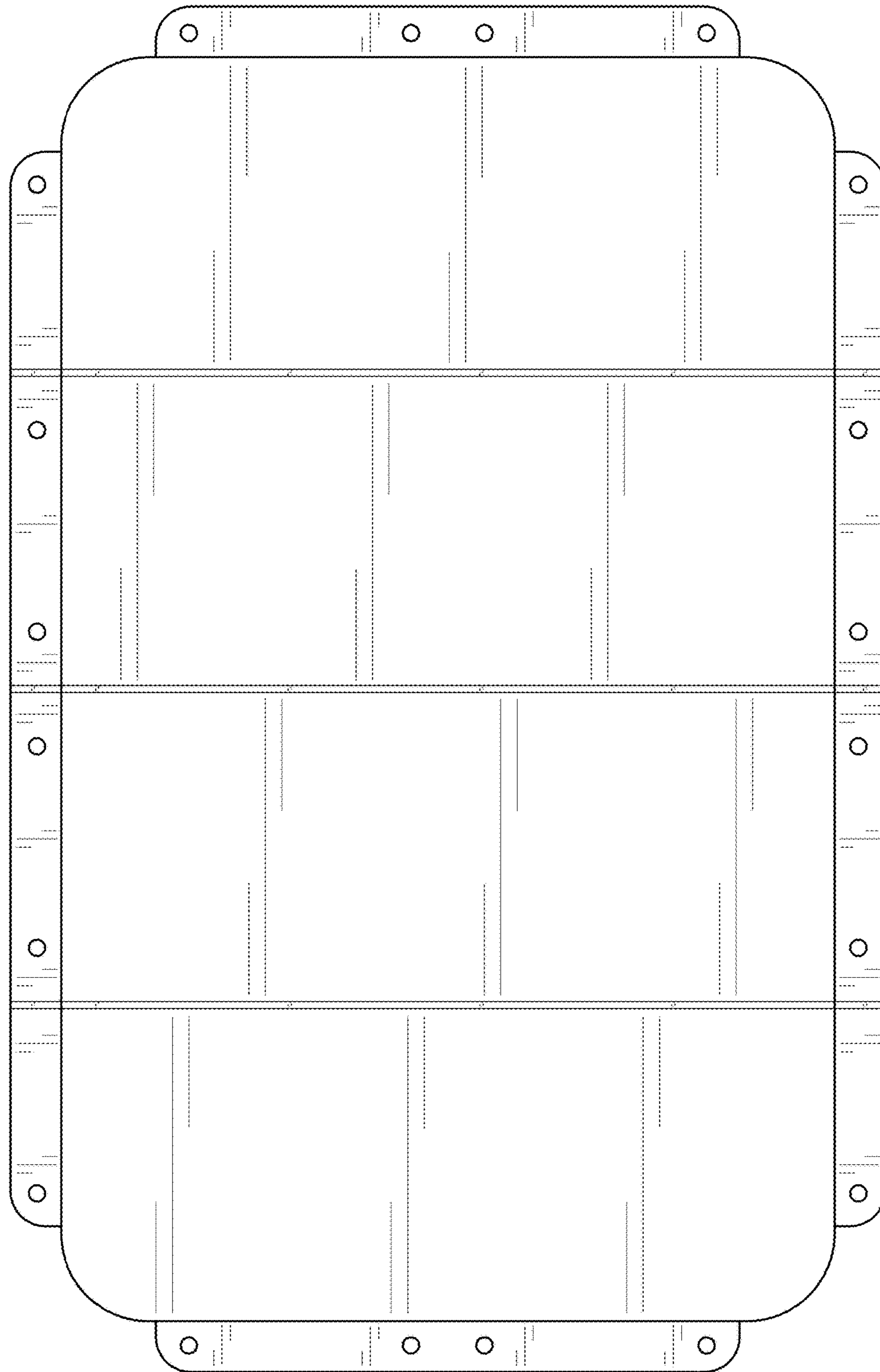


FIG. 3

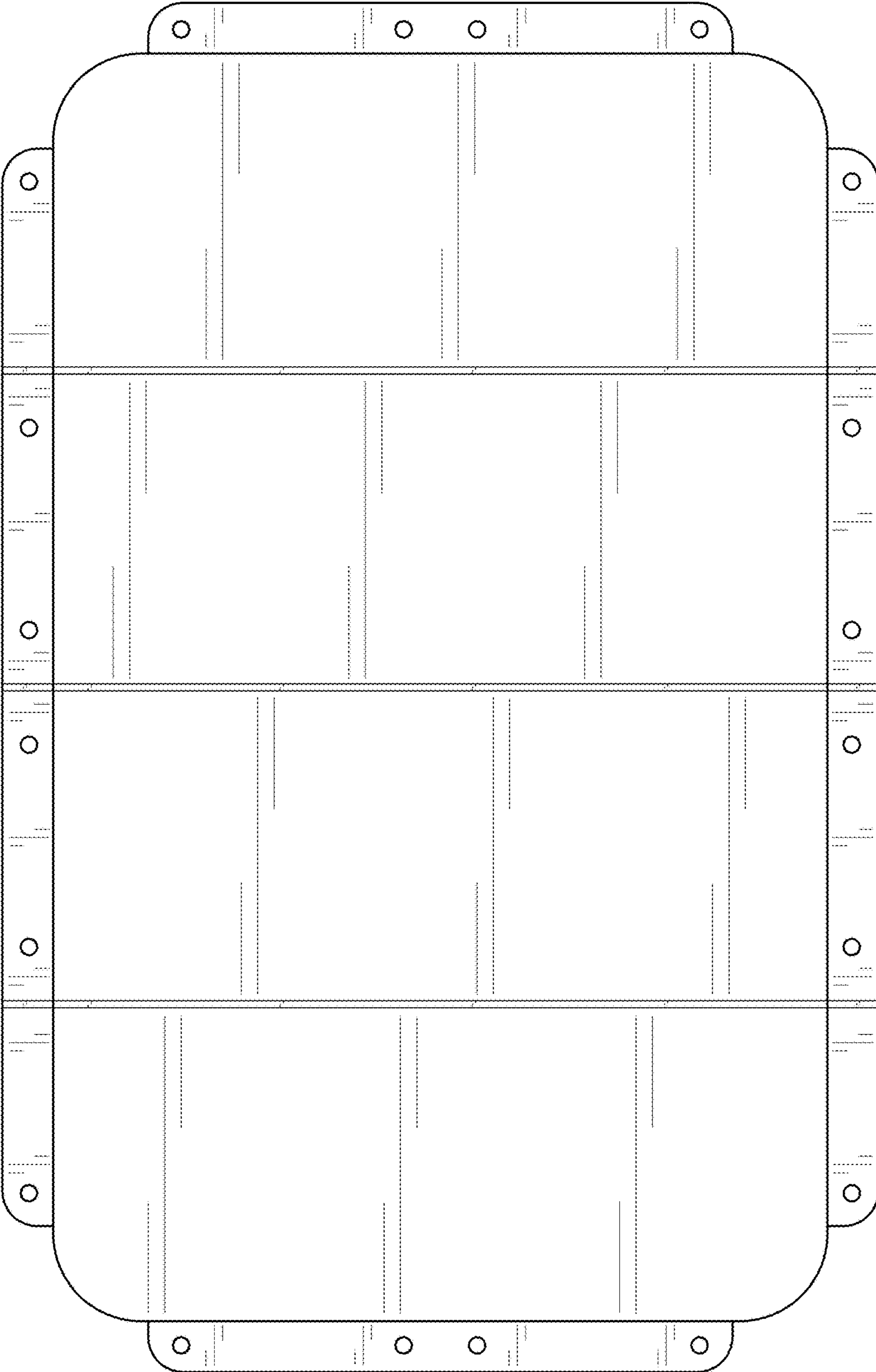


FIG. 4



FIG. 5



FIG. 6

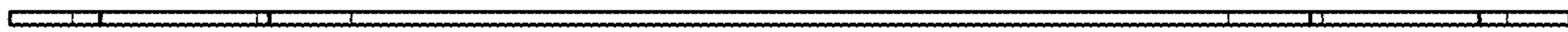


FIG. 7

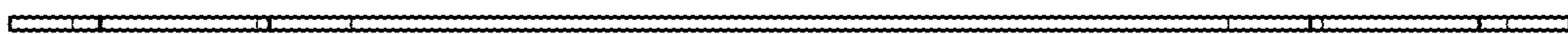


FIG. 8