



US00D810441S

(12) **United States Design Patent** (10) **Patent No.:** **US D810,441 S**
Elias, II (45) **Date of Patent:** **** Feb. 20, 2018**

(54) **BAG**

(71) Applicant: **JOSEPHNICOLA, LLC**, South Barrington, IL (US)

(72) Inventor: **Naim Joseph Elias, II**, South Barrington, IL (US)

(73) Assignee: **JOSEPH NICOLA, LLC**, South Barrington, IL (US)

(**) Term: **15 Years**

(21) Appl. No.: **29/567,849**

(22) Filed: **Jun. 13, 2016**

Related U.S. Application Data

(62) Division of application No. 29/478,661, filed on Jan. 7, 2014, now Pat. No. Des. 758,720.

(51) **LOC (11) Cl.** **03-01**

(52) **U.S. Cl.**
USPC **D3/318**

(58) **Field of Classification Search**
USPC D3/232-233, 240-243, 245-246
(Continued)

(56) **References Cited**

U.S. PATENT DOCUMENTS

D443,413 S 6/2001 Naiken-Goddin
D522,237 S * 6/2006 Stulman D3/241
(Continued)

Primary Examiner — Holly H Baynham

(74) *Attorney, Agent, or Firm* — McAndrews Held & Malloy, Ltd.

(57) **CLAIM**

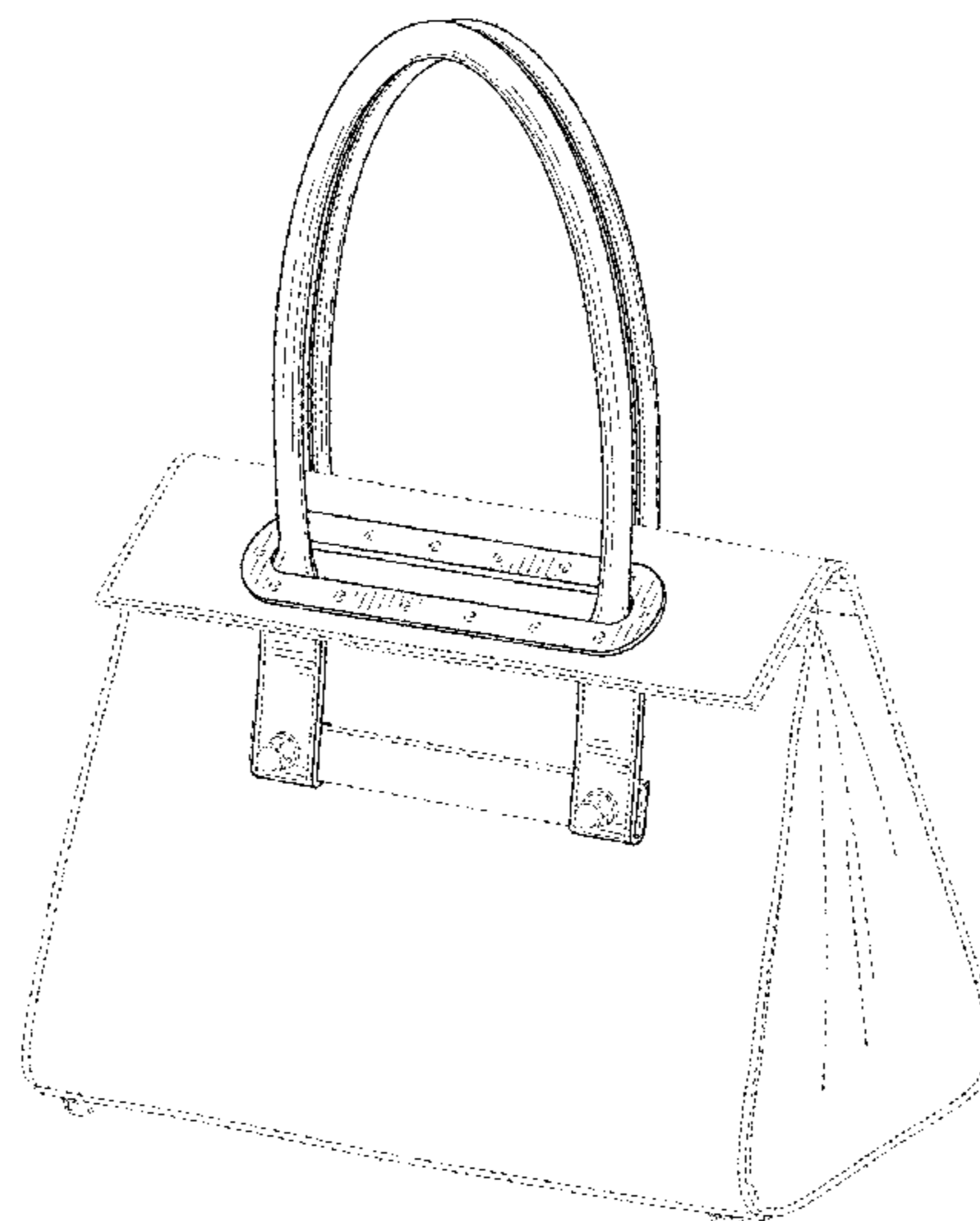
The ornamental design for a bag, as shown and described.

DESCRIPTION

FIG. 1 is a front right perspective view of a first embodiment of a bag showing my new design in a closed position;

FIG. 2 is a front elevation view thereof;
 FIG. 3 is a rear elevation view thereof;
 FIG. 4 is a left-side elevation view thereof;
 FIG. 5 is a right-side elevation view thereof;
 FIG. 6 is a front right perspective view of thereof in an open position;
 FIG. 7 is a front elevation view thereof;
 FIG. 8 is a rear elevation view thereof;
 FIG. 9 is a left-side elevation view thereof;
 FIG. 10 is a right-side elevation view thereof;
 FIG. 11 is a front right perspective view of thereof in an intermediate closed position;
 FIG. 12 is a front elevation view thereof;
 FIG. 13 is a rear elevation view thereof;
 FIG. 14 is a left-side elevation view thereof;
 FIG. 15 is a right-side elevation view thereof;
 FIG. 16 is a front right perspective view of a second embodiment of a bag showing my new design in a closed position;
 FIG. 17 is a front elevation view thereof;
 FIG. 18 is a rear elevation view thereof;
 FIG. 19 is a left-side elevation view thereof;
 FIG. 20 is a right-side elevation view thereof;
 FIG. 21 is a front right perspective view of thereof in an open position;
 FIG. 22 is a front elevation view thereof;
 FIG. 23 is a rear elevation view thereof;
 FIG. 24 is a left-side elevation view thereof;
 FIG. 25 is a right-side elevation view thereof;
 FIG. 26 is a front right perspective view of thereof in an intermediate closed position;
 FIG. 27 is a front elevation view thereof;
 FIG. 28 is a rear elevation view thereof;
 FIG. 29 is a left-side elevation view thereof; and,
 FIG. 30 is a right-side elevation view thereof.
 The dashed broken lines, including those depicting stitching, are directed to portions of the bag that form no part of the claimed design.

1 Claim, 24 Drawing Sheets



(58) **Field of Classification Search**

CPC A45C 1/024; A45C 3/06
See application file for complete search history.

(56) **References Cited**

U.S. PATENT DOCUMENTS

D650,579 S	*	12/2011	Gonzalez	D3/243
D651,398 S	*	1/2012	Gonzalez	D3/243
D666,809 S	*	9/2012	Hermann	D3/232
D696,860 S		1/2014	Guyon et al.	
D698,145 S		1/2014	Deneve	
D750,372 S	*	3/2016	Slimane	D3/232
D757,426 S	*	5/2016	Molina	D3/232
D758,720 S	*	6/2016	Elias, II	D3/243

* cited by examiner

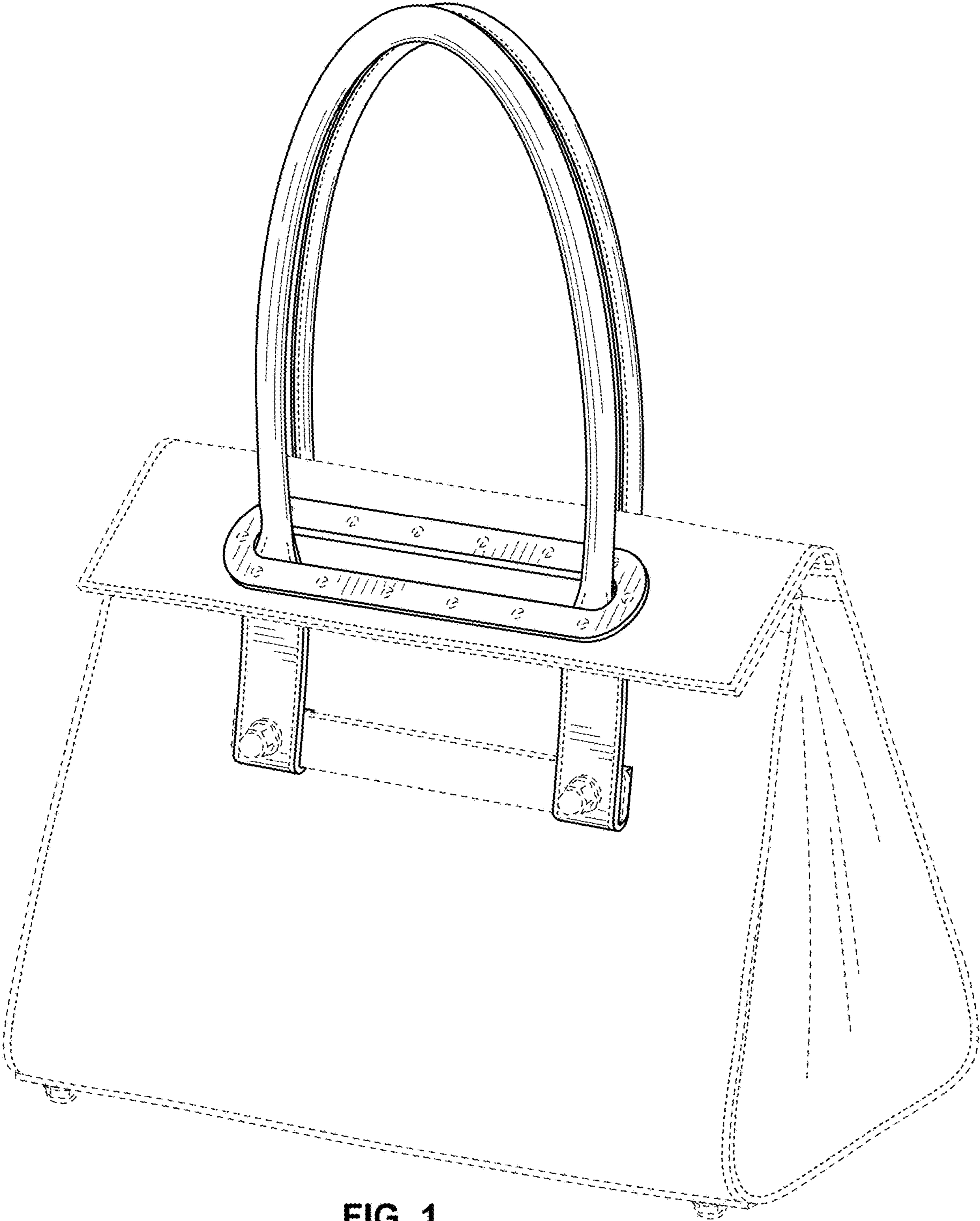


FIG. 1

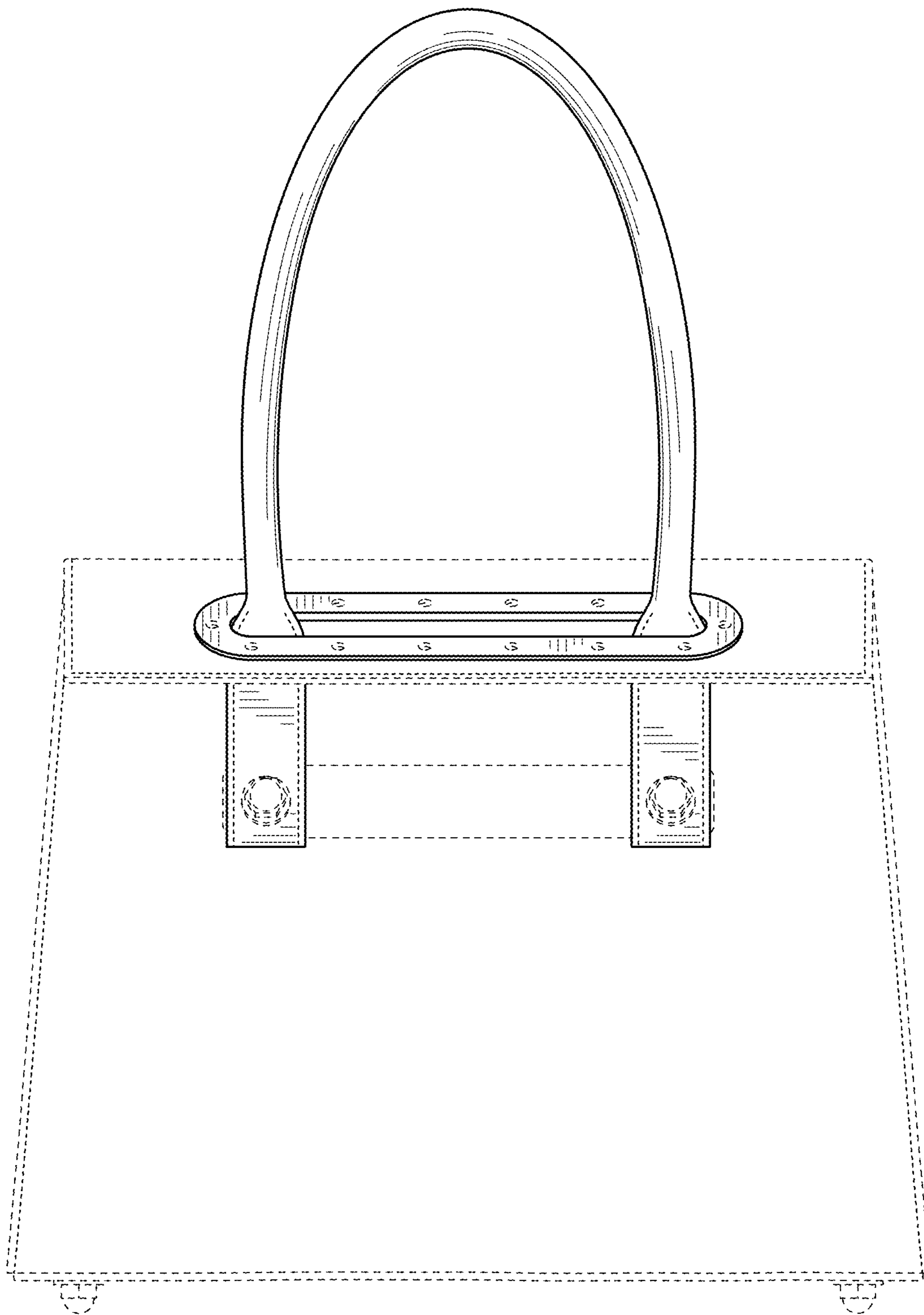


FIG. 2

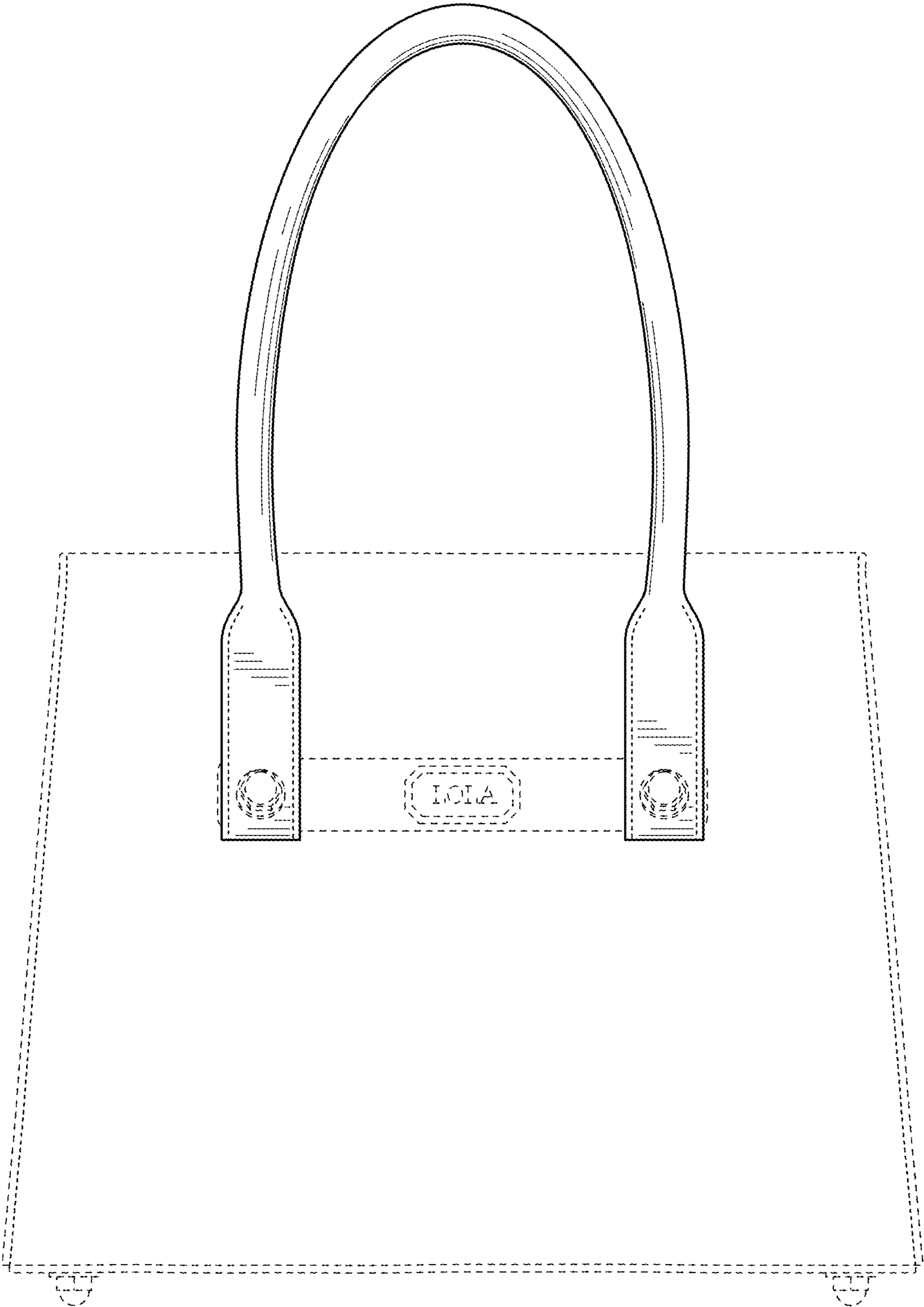


FIG. 3

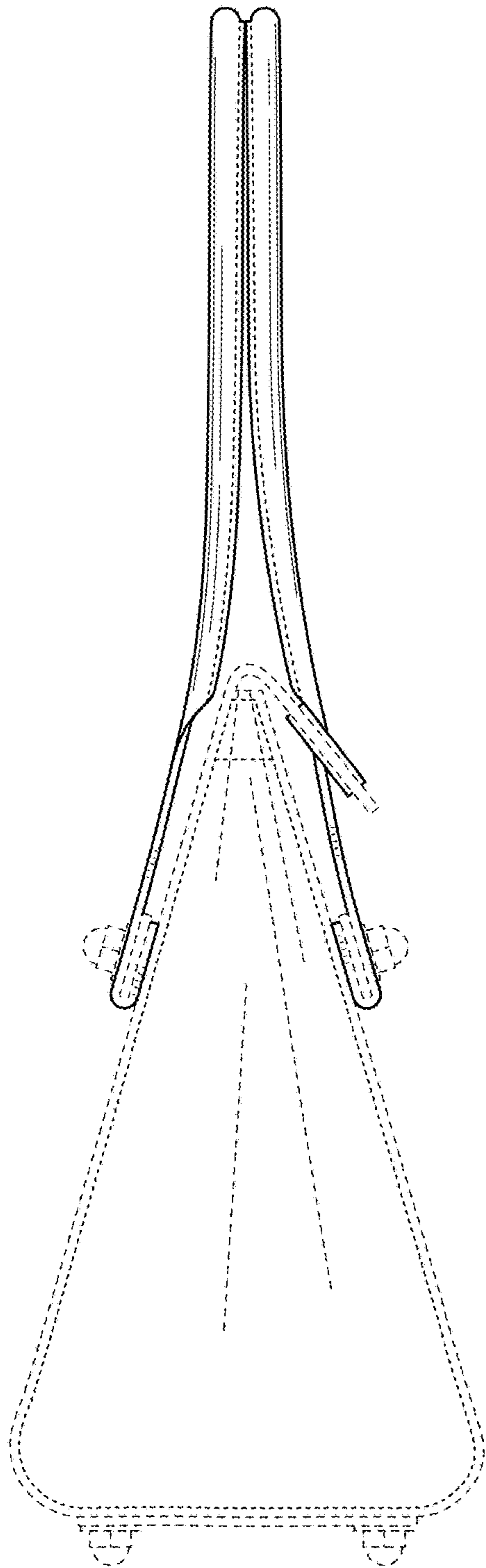


FIG. 4

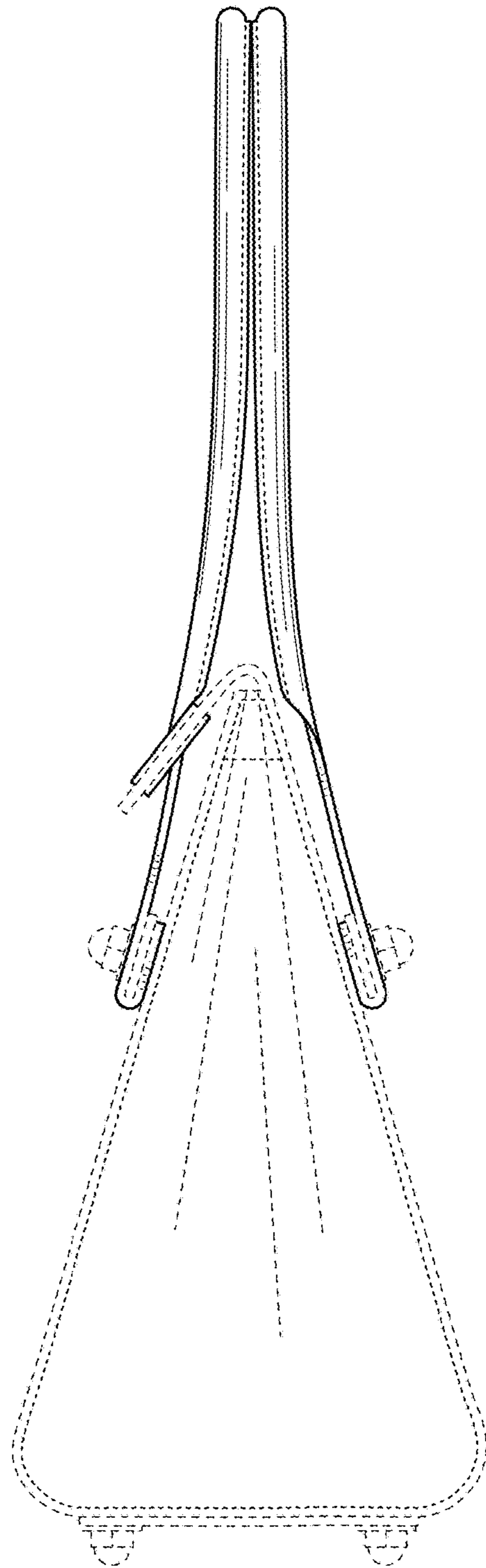


FIG. 5

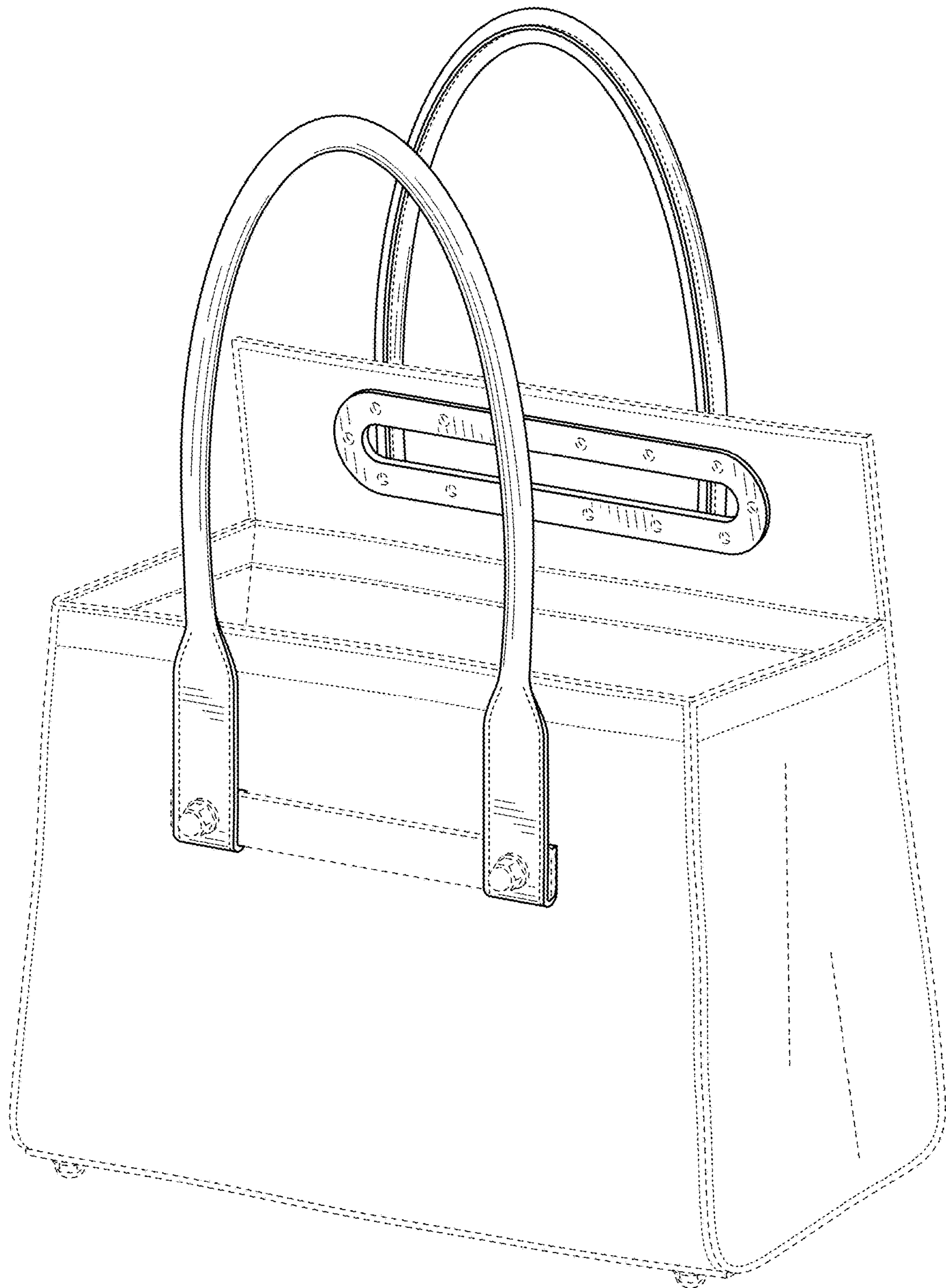


FIG. 6

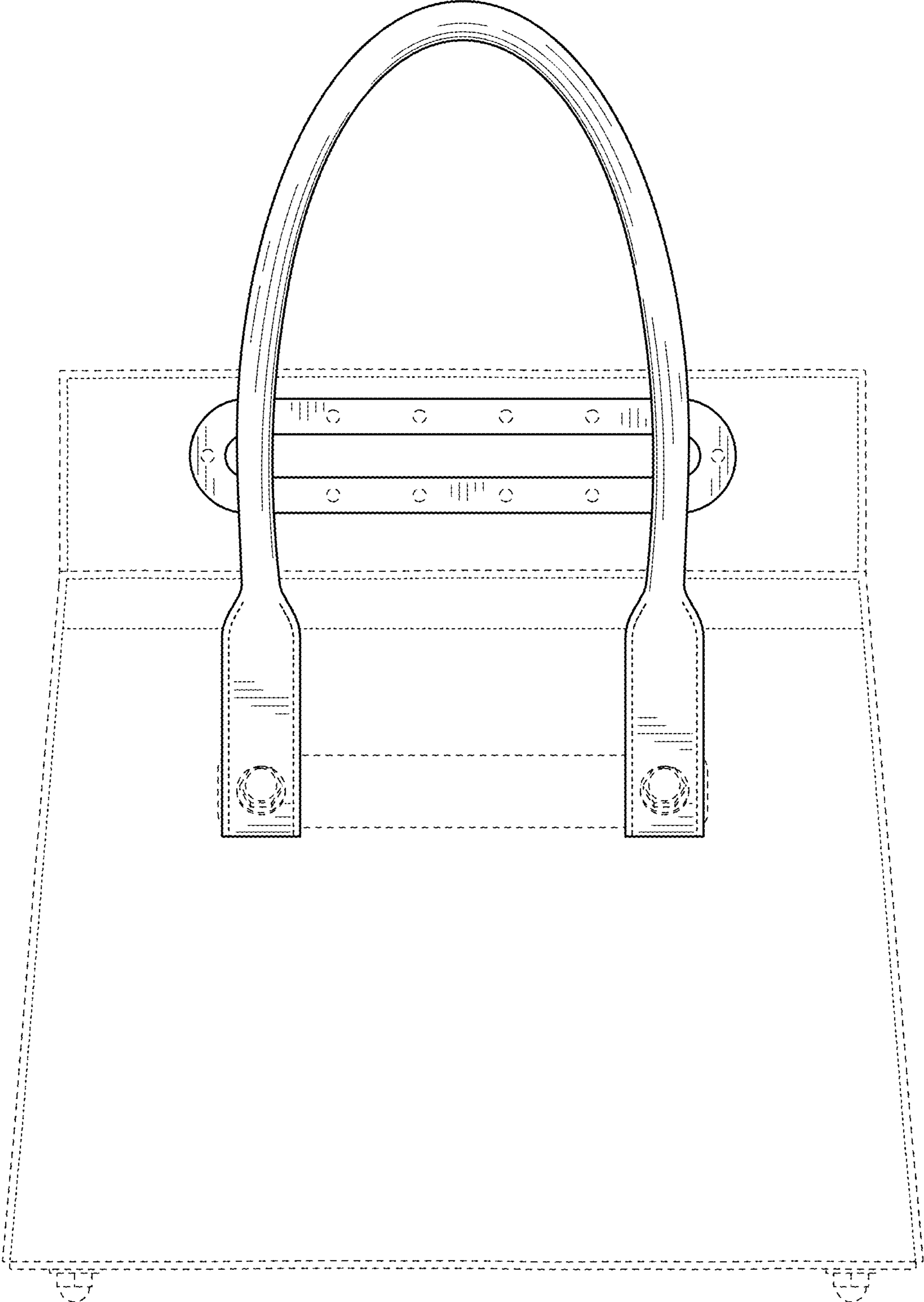


FIG. 7

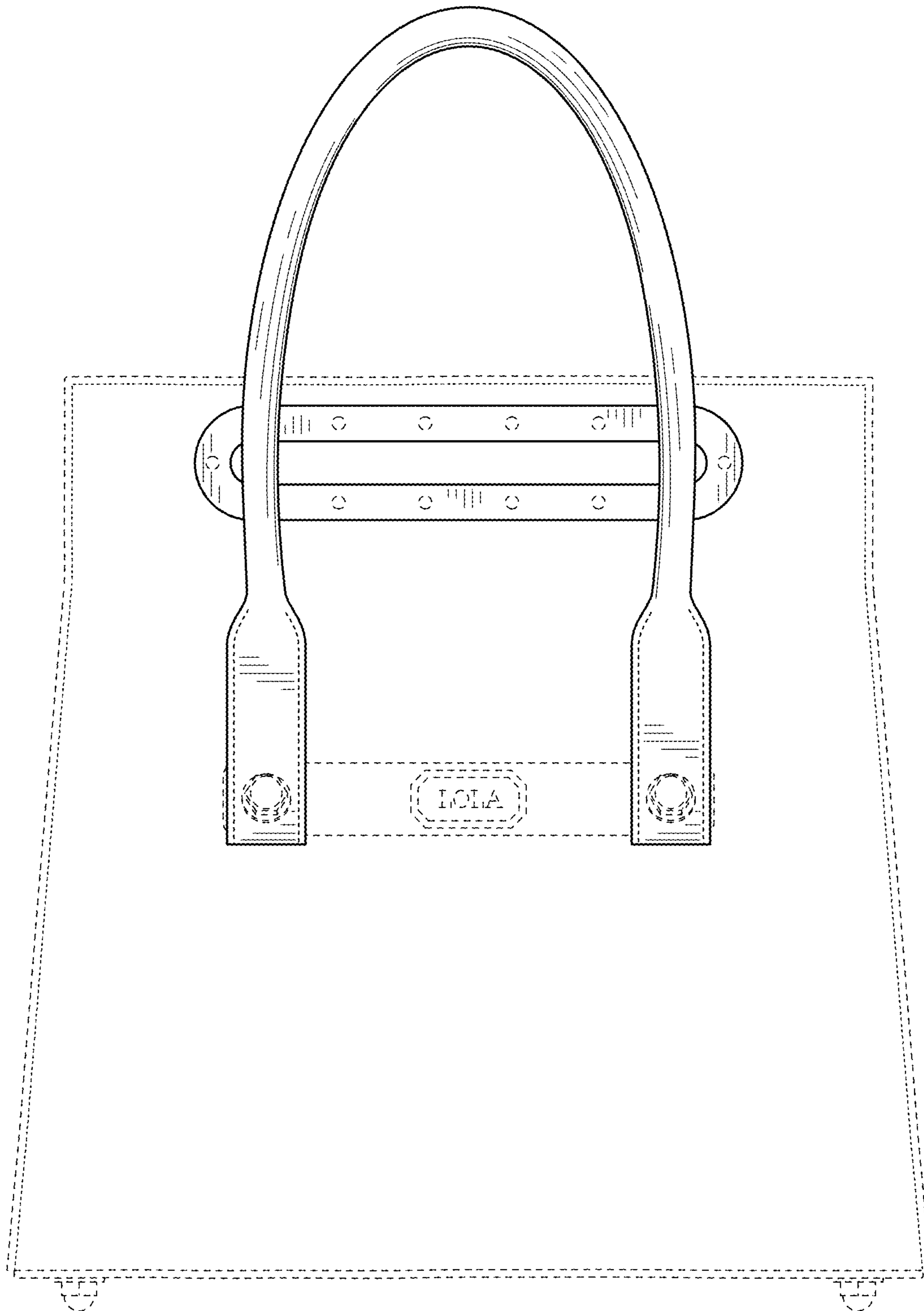


FIG. 8

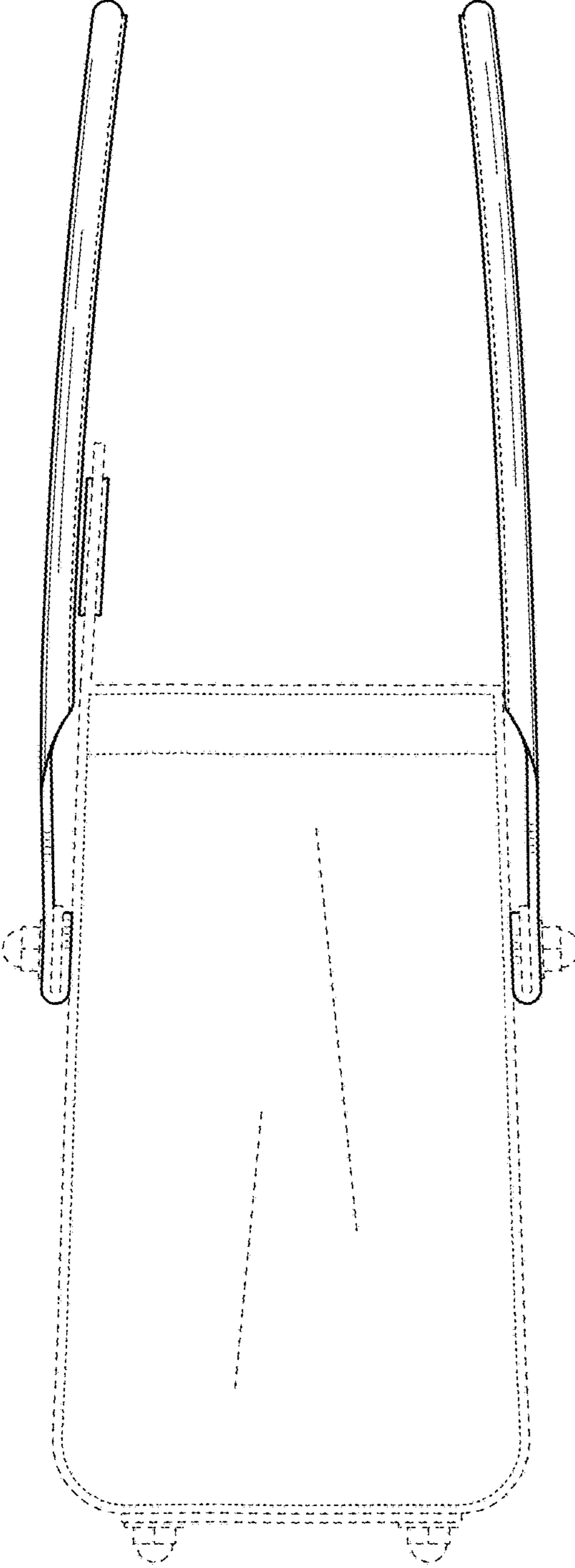


FIG. 9

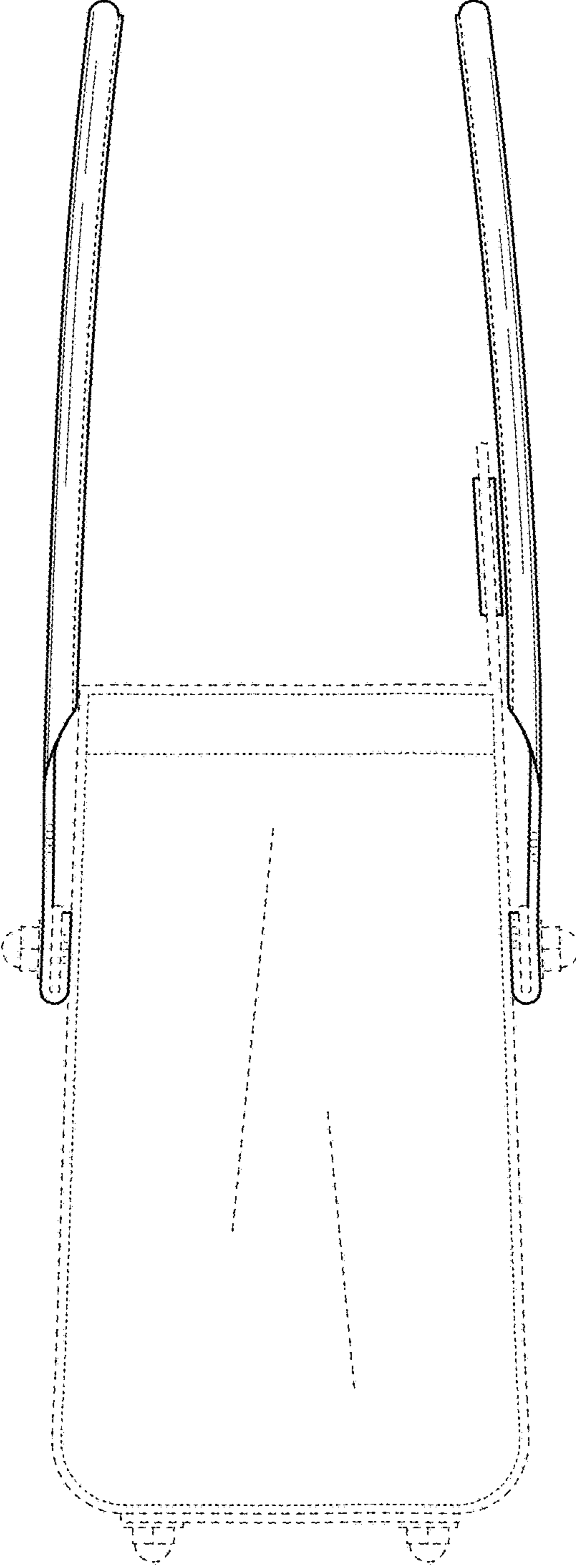


FIG. 10



FIG. 11

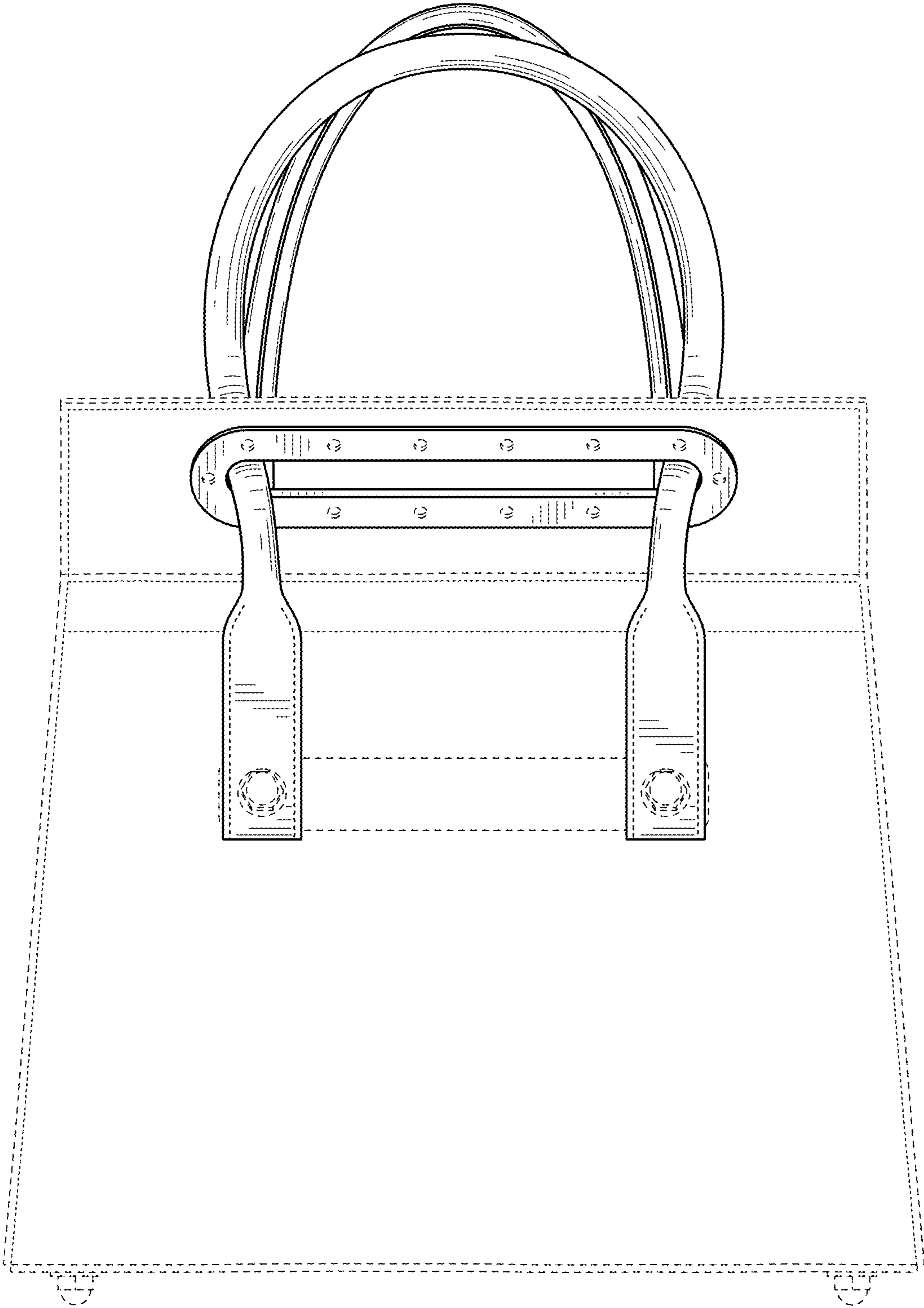


FIG. 12

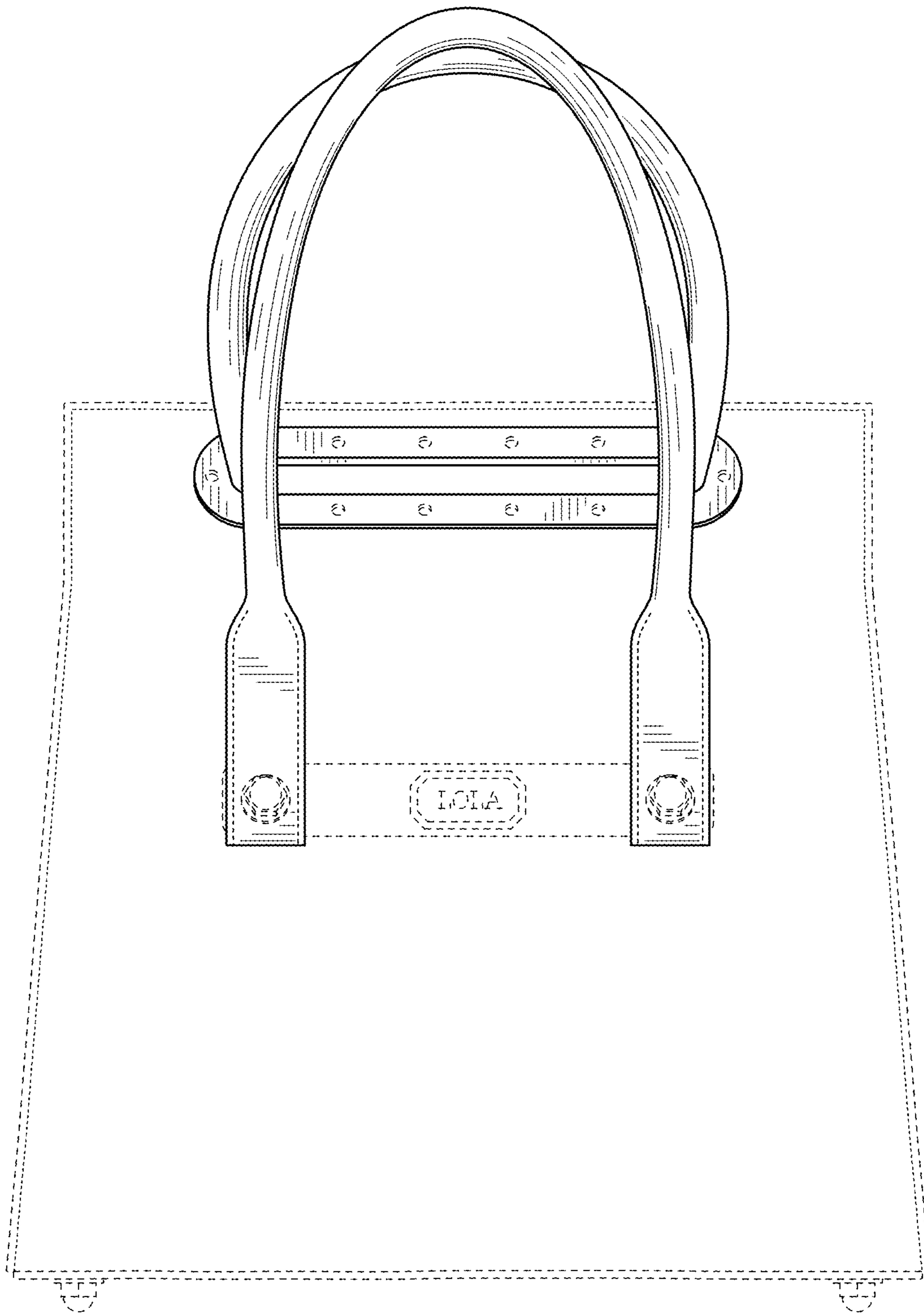


FIG. 13

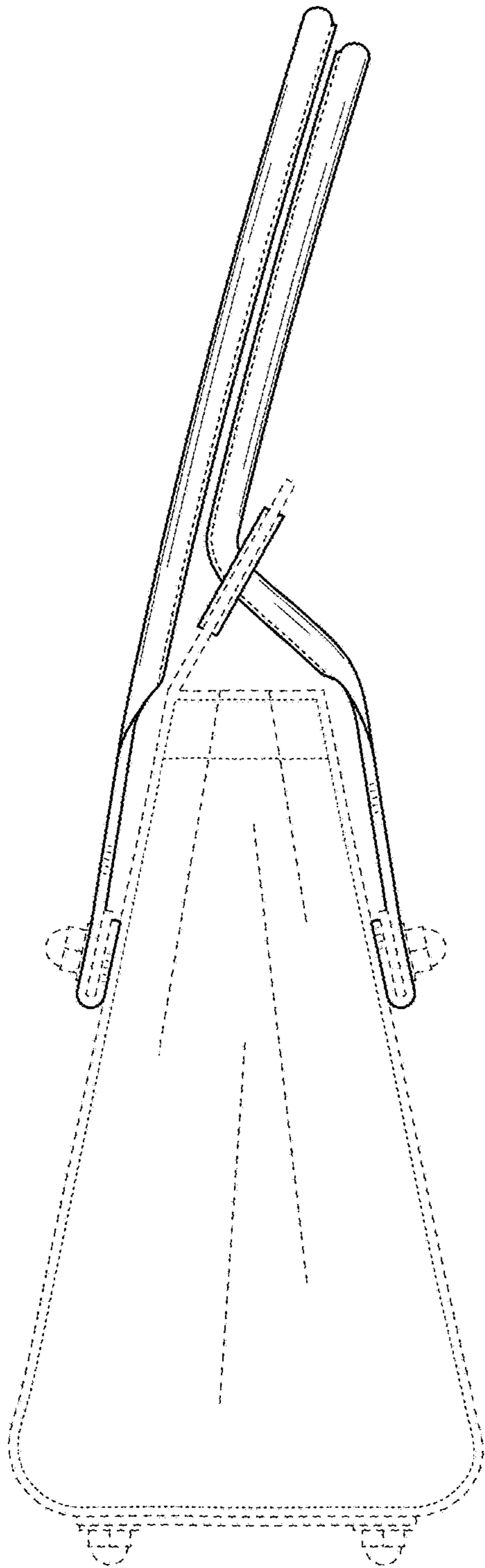


FIG. 14

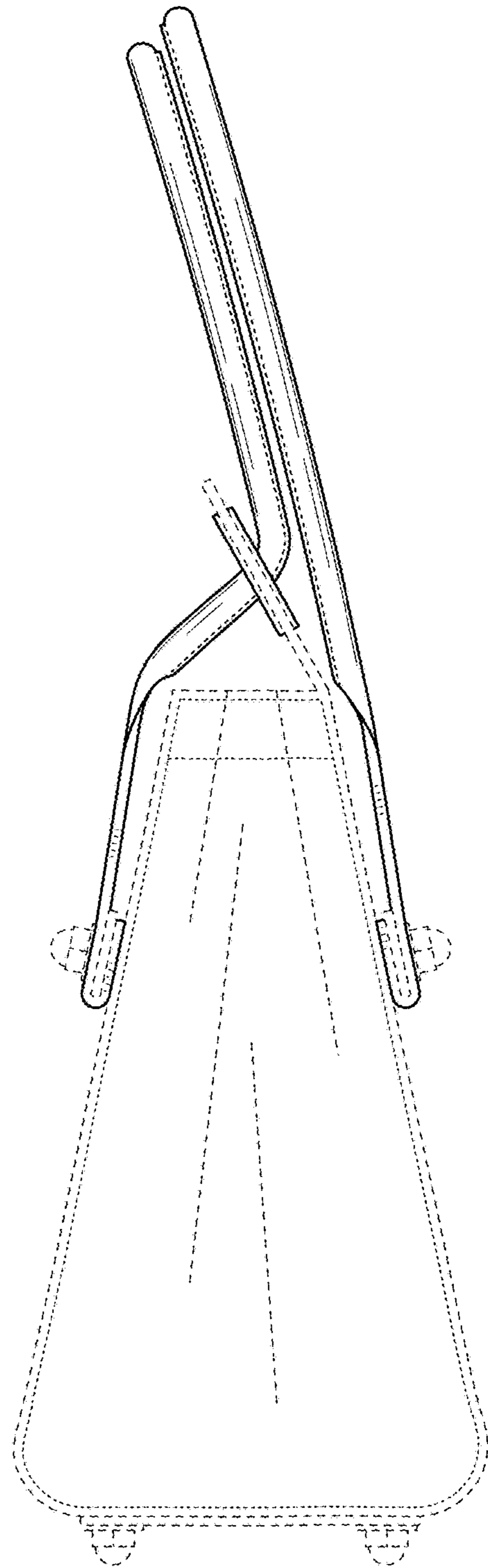


FIG. 15

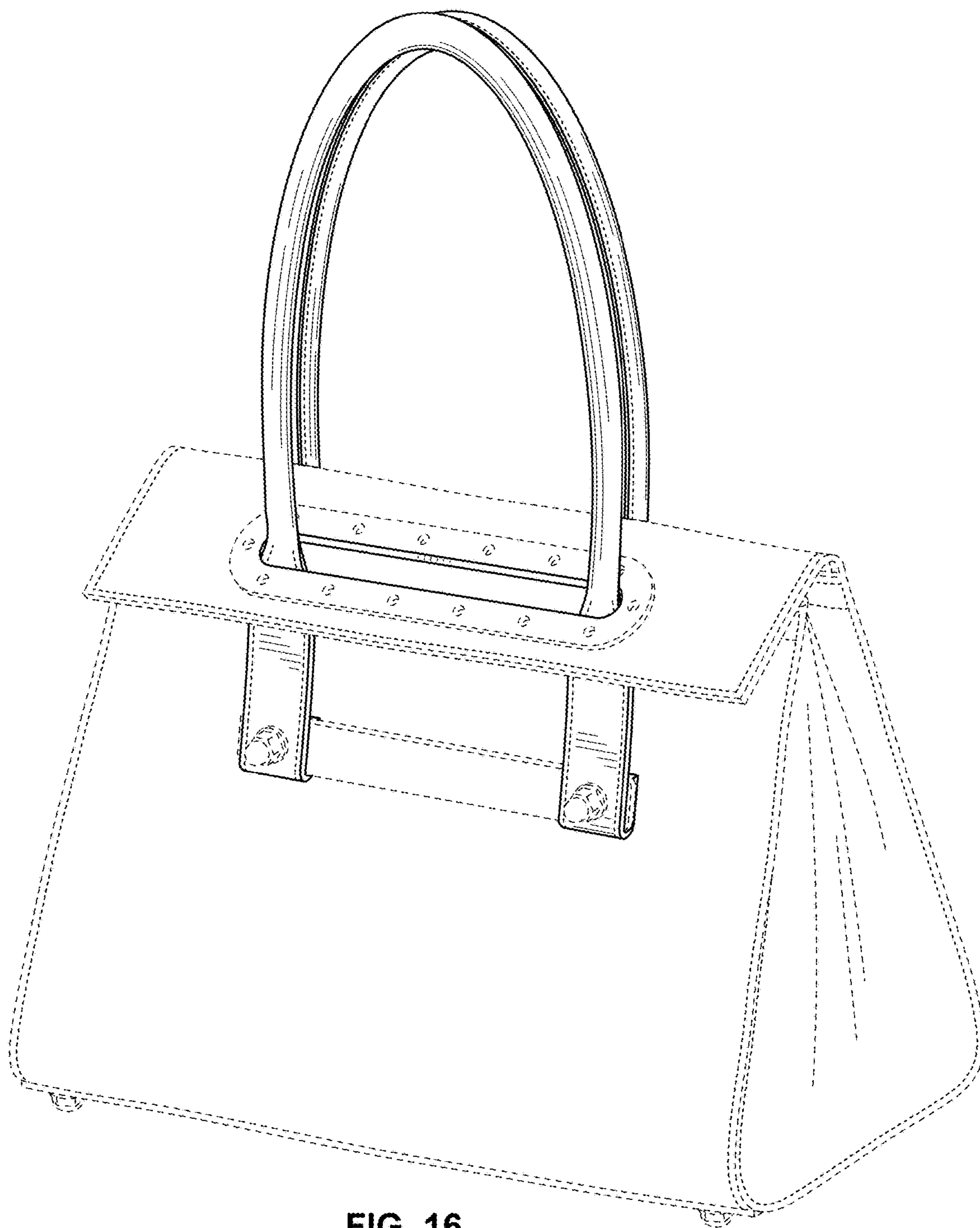


FIG. 16

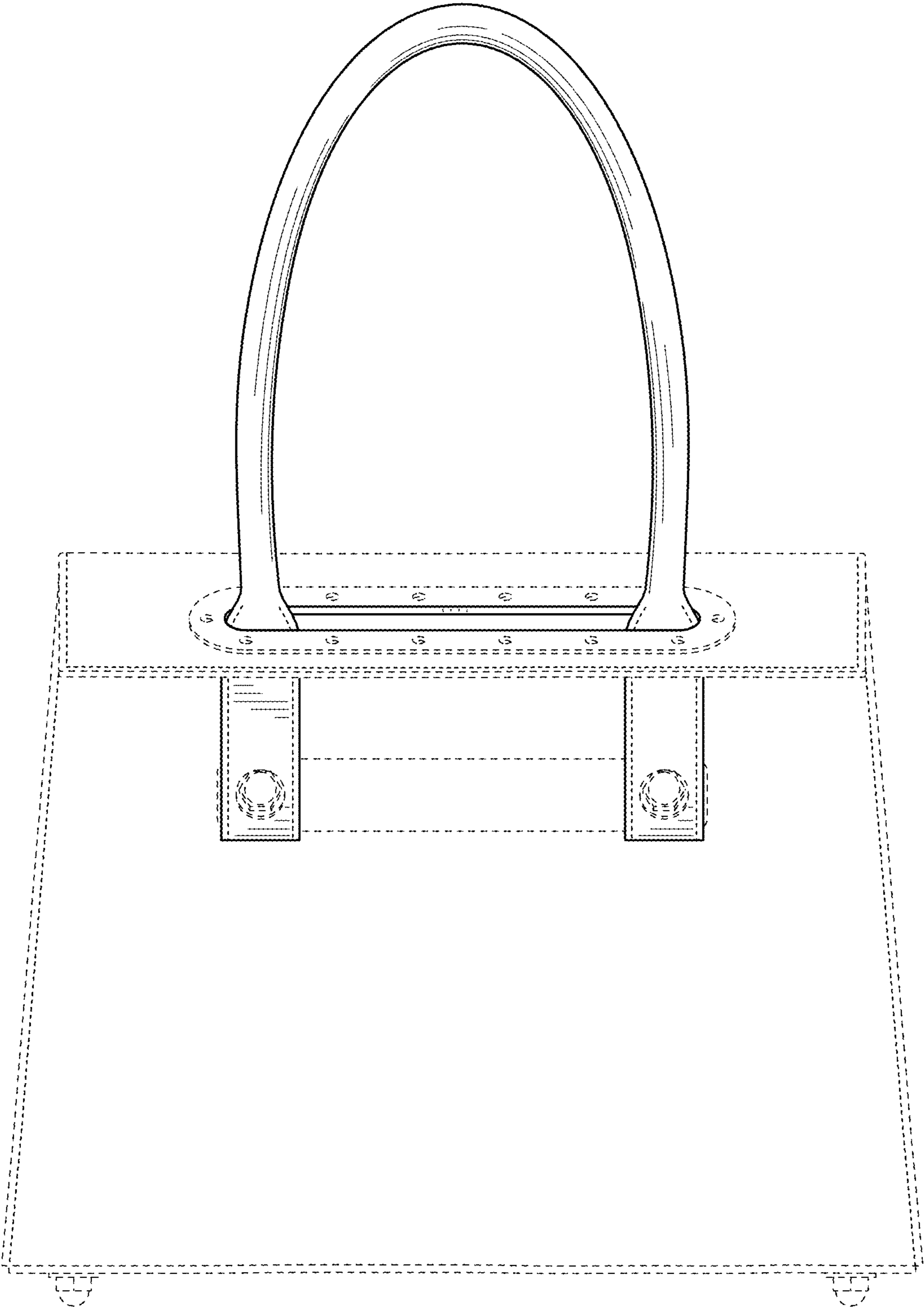


FIG. 17

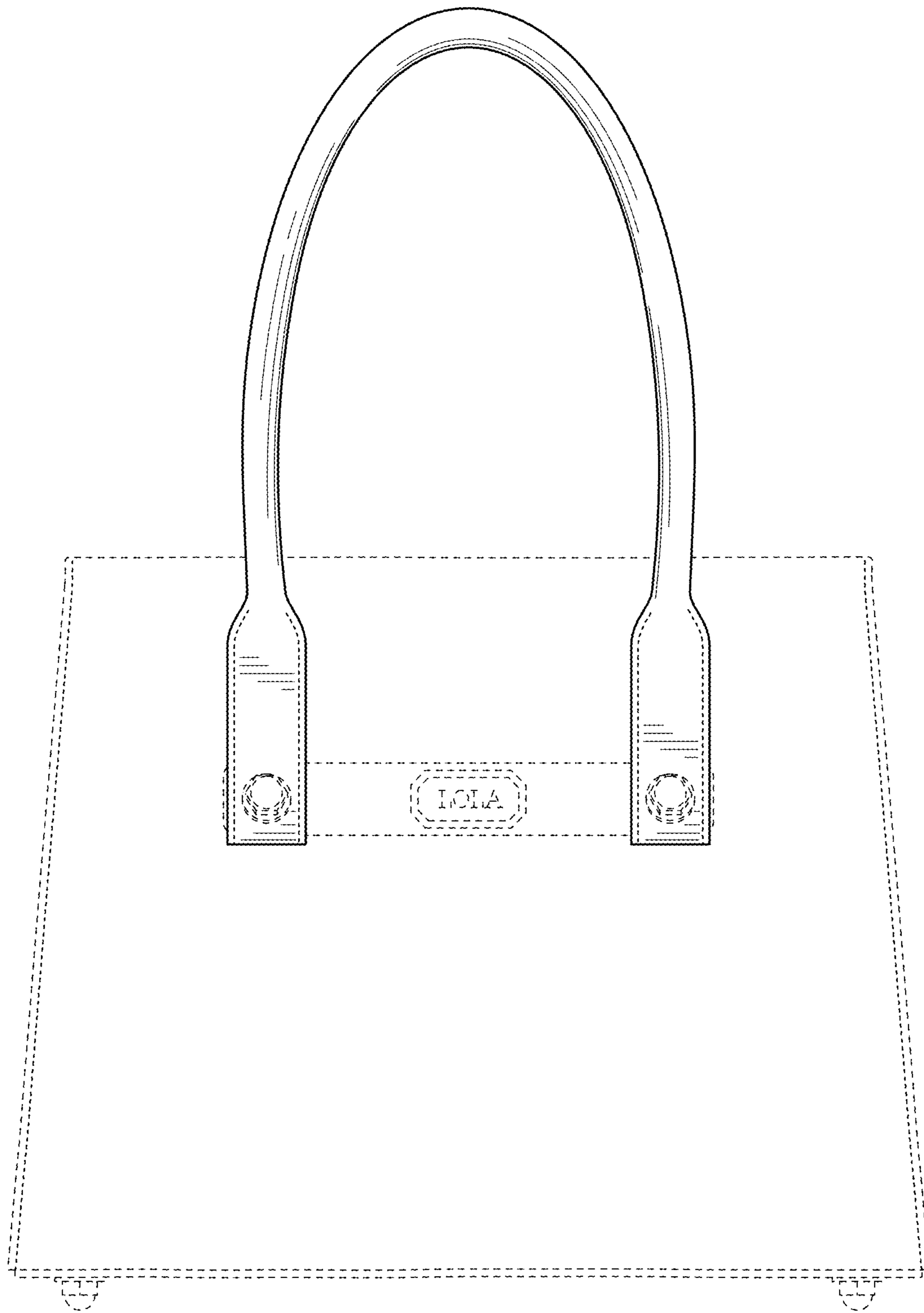


FIG. 18

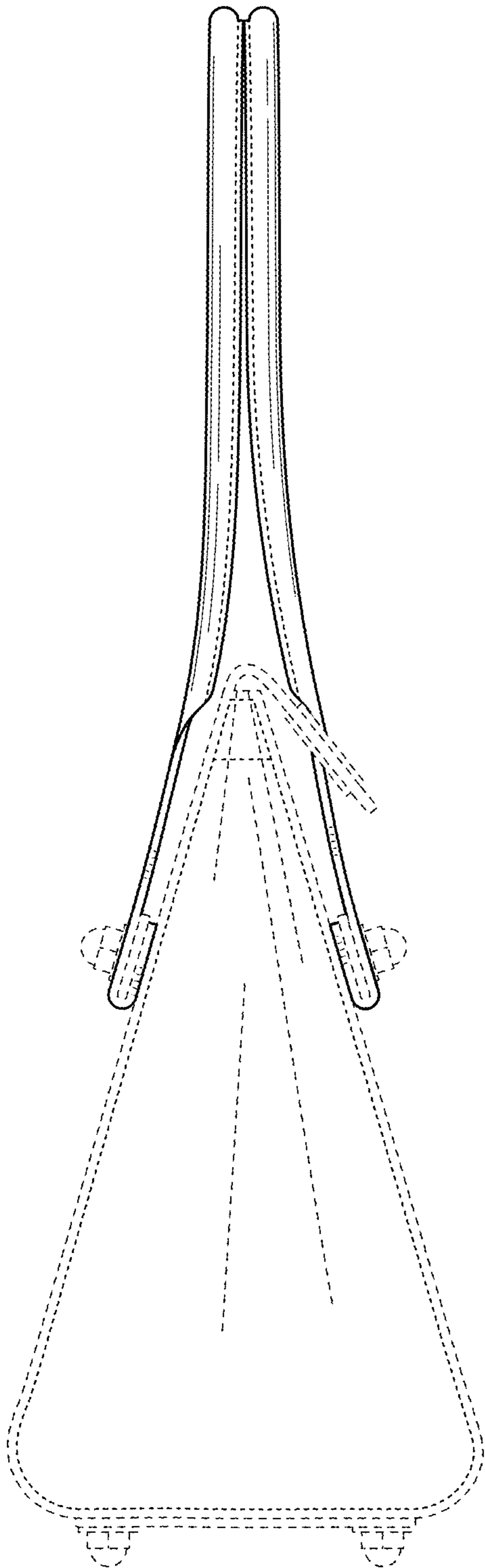


FIG. 19

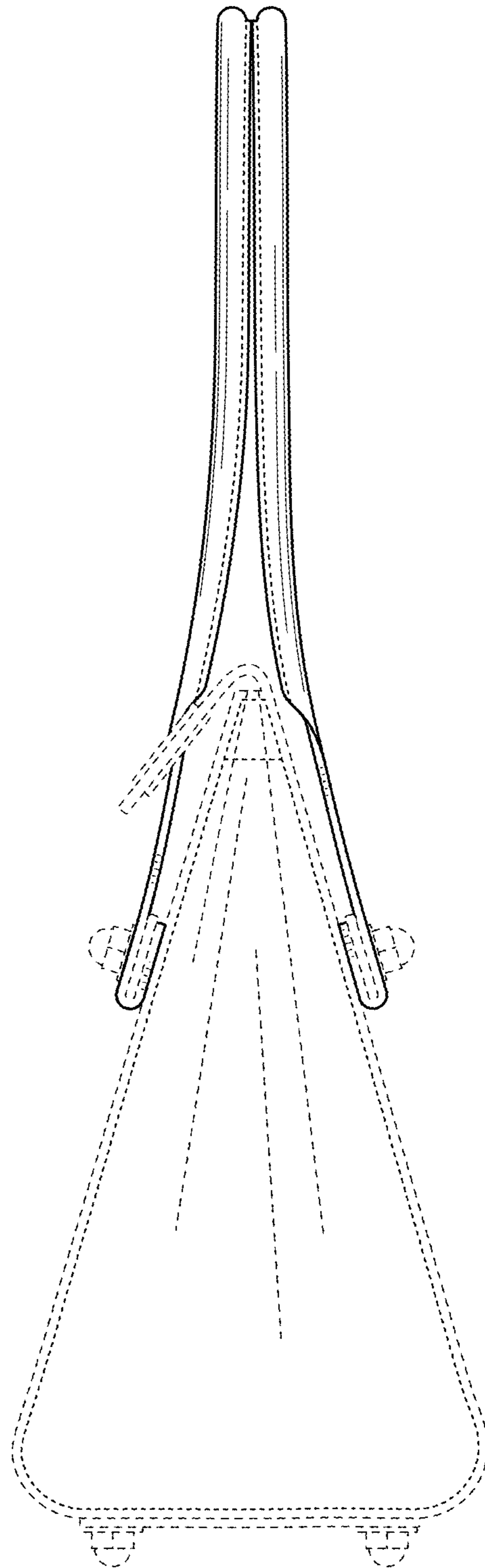


FIG. 20

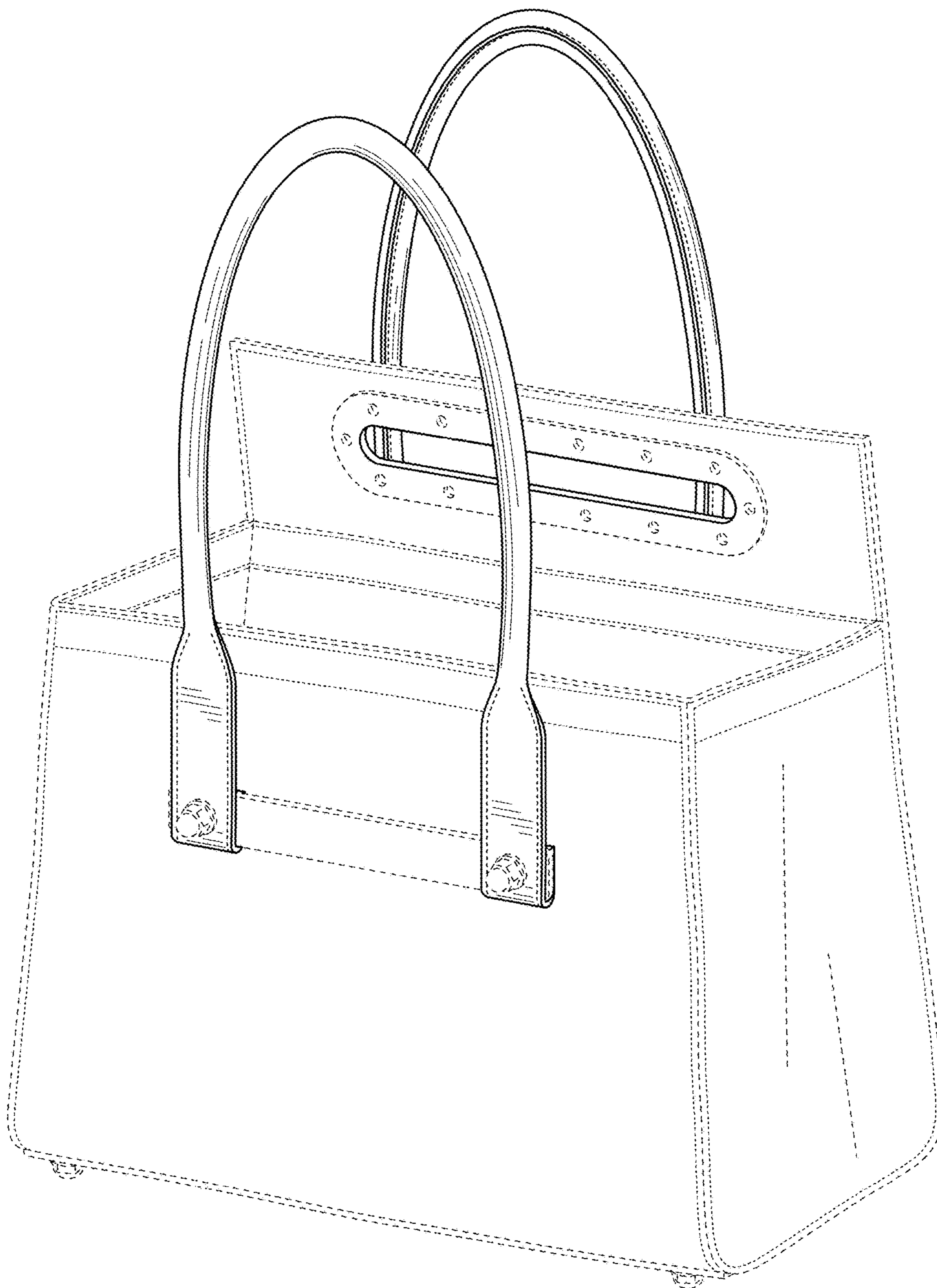


FIG. 21

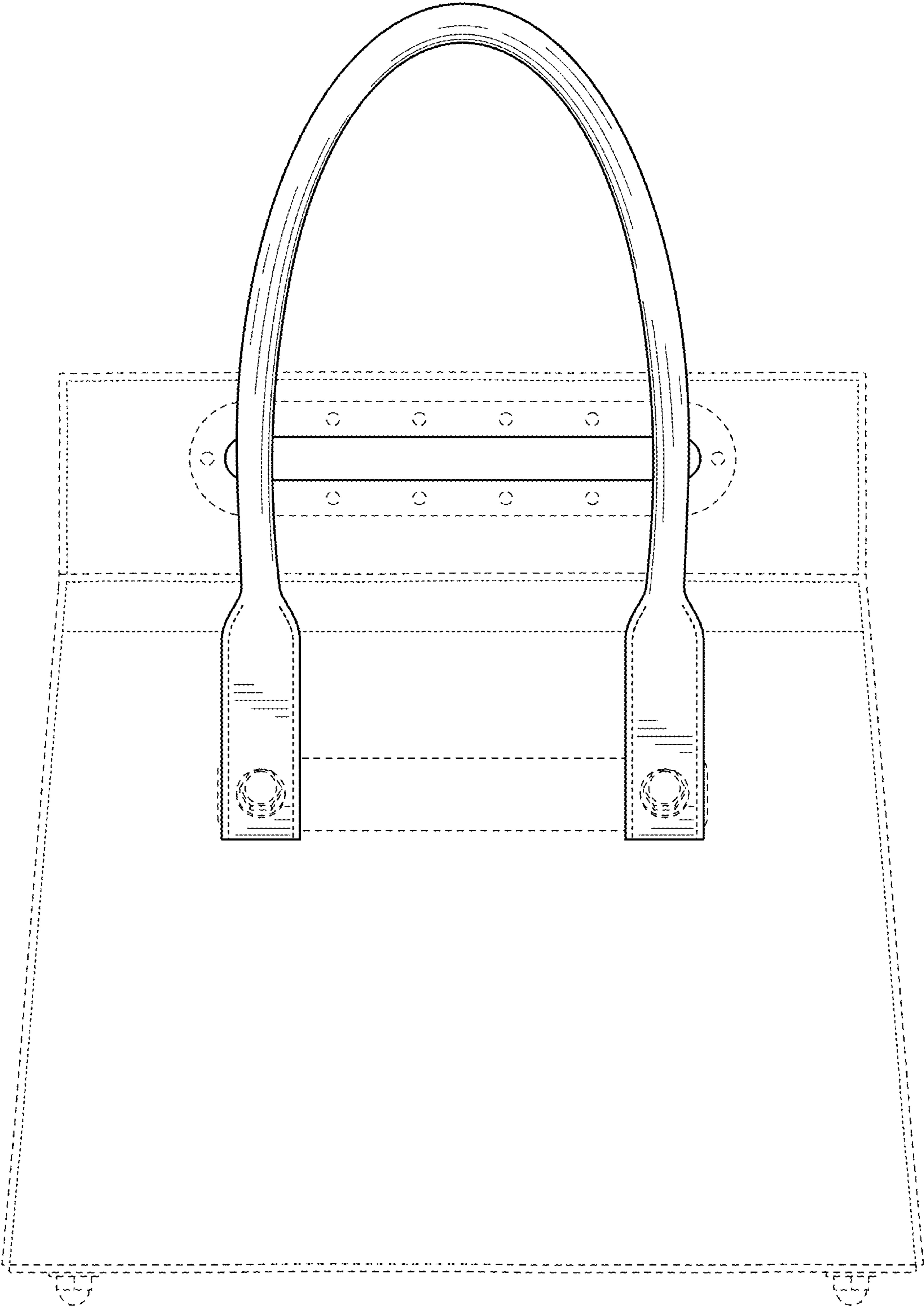


FIG. 22

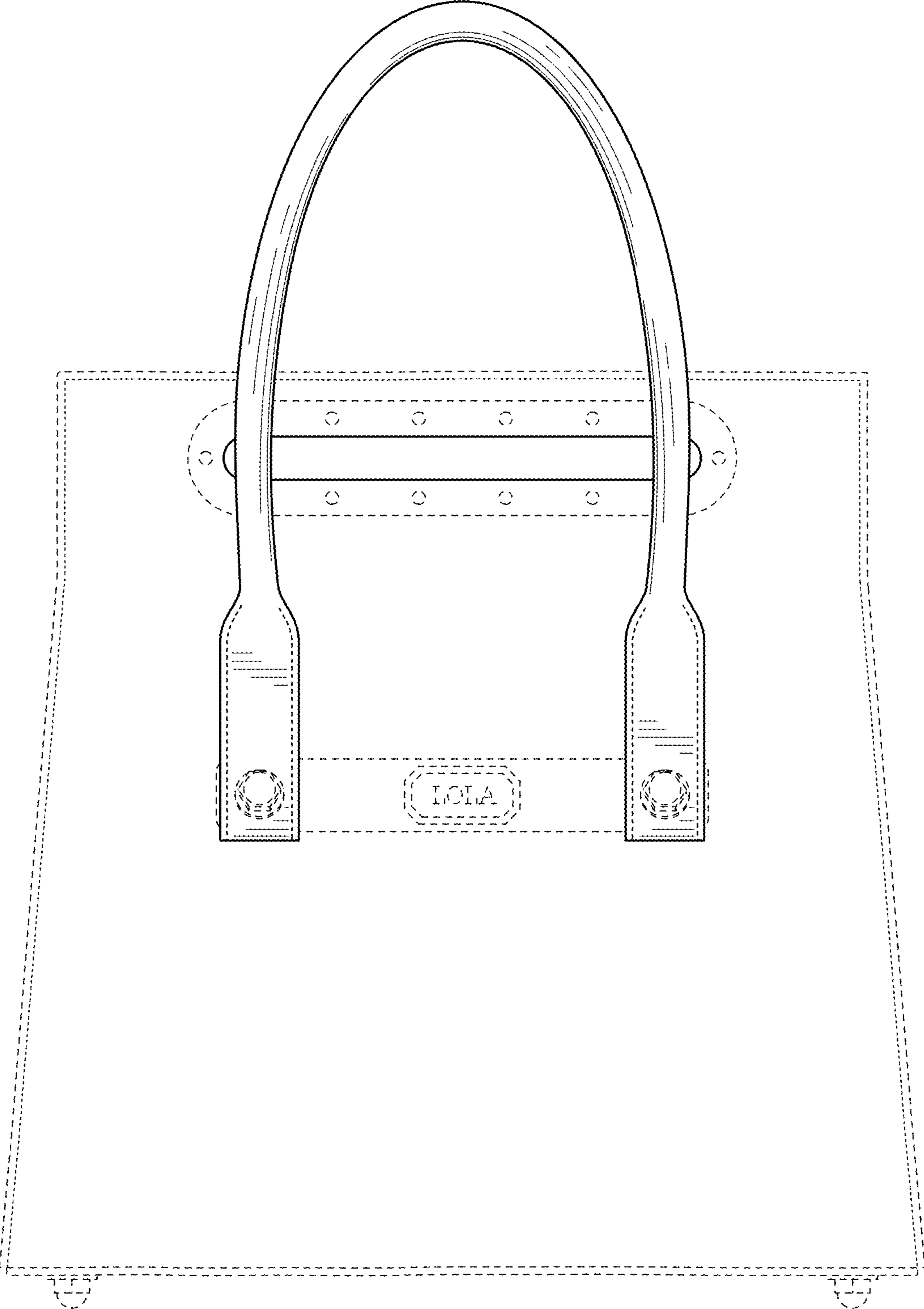


FIG. 23

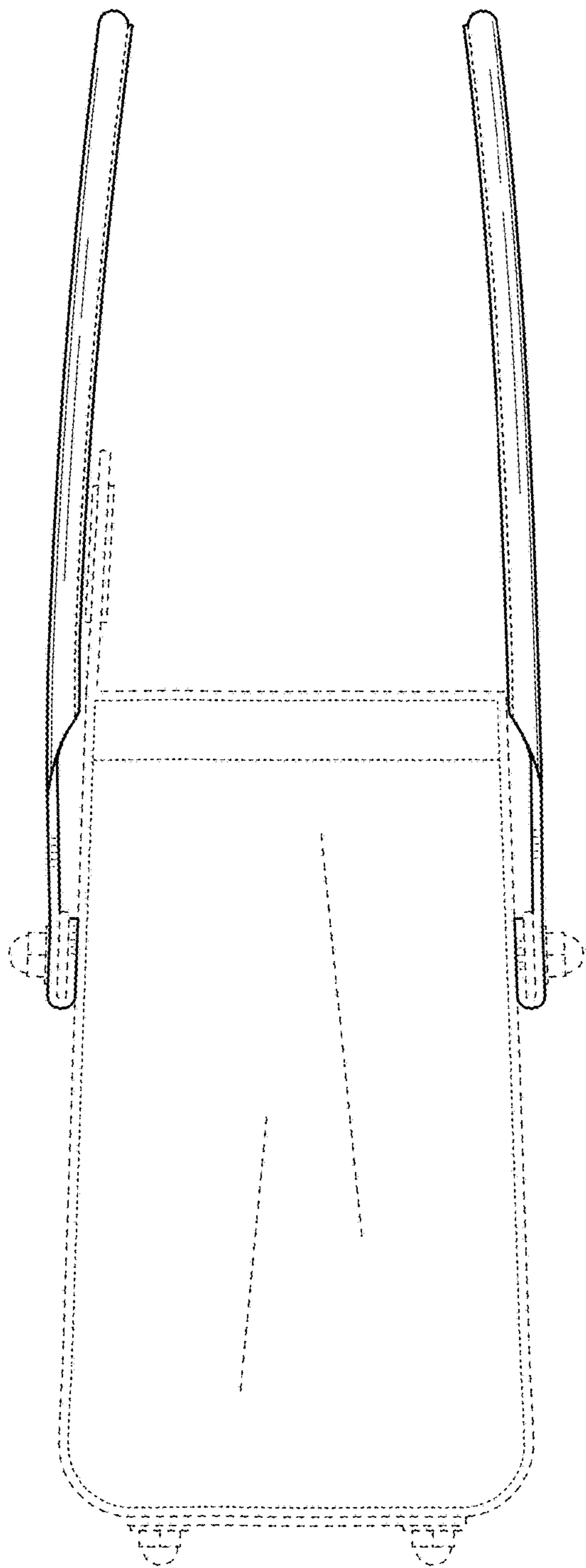


FIG. 24

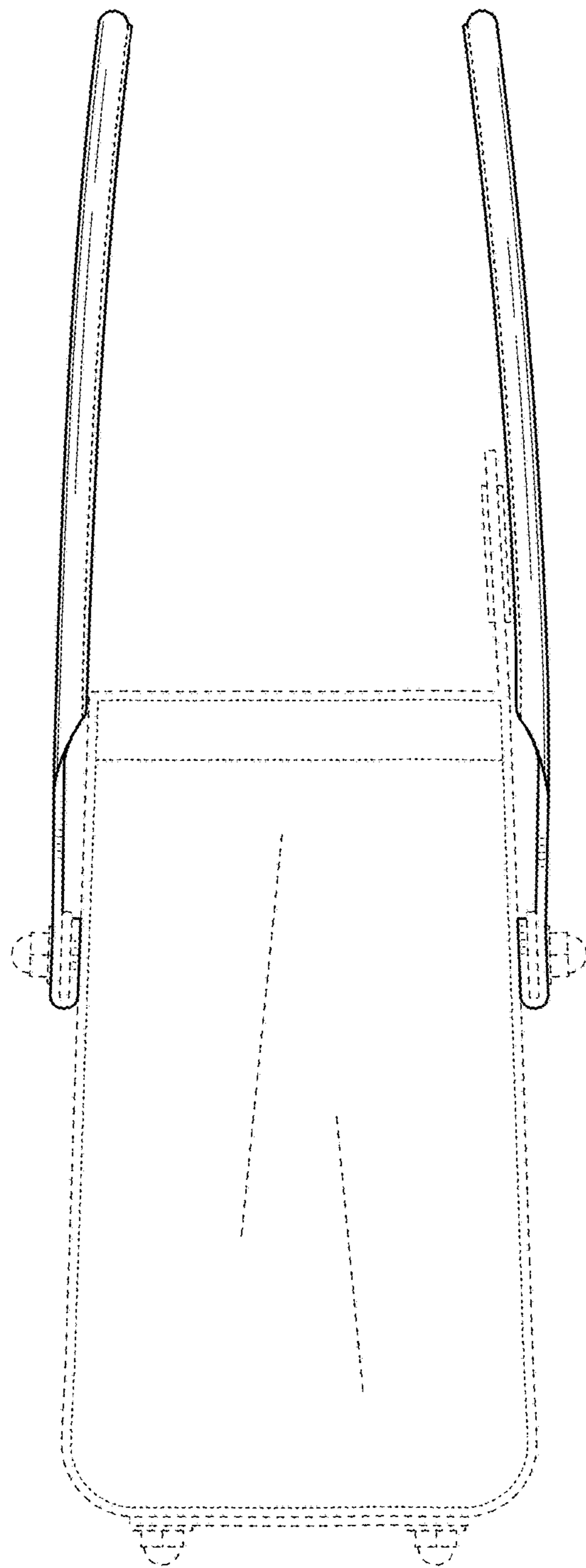


FIG. 25



FIG. 26



FIG. 27

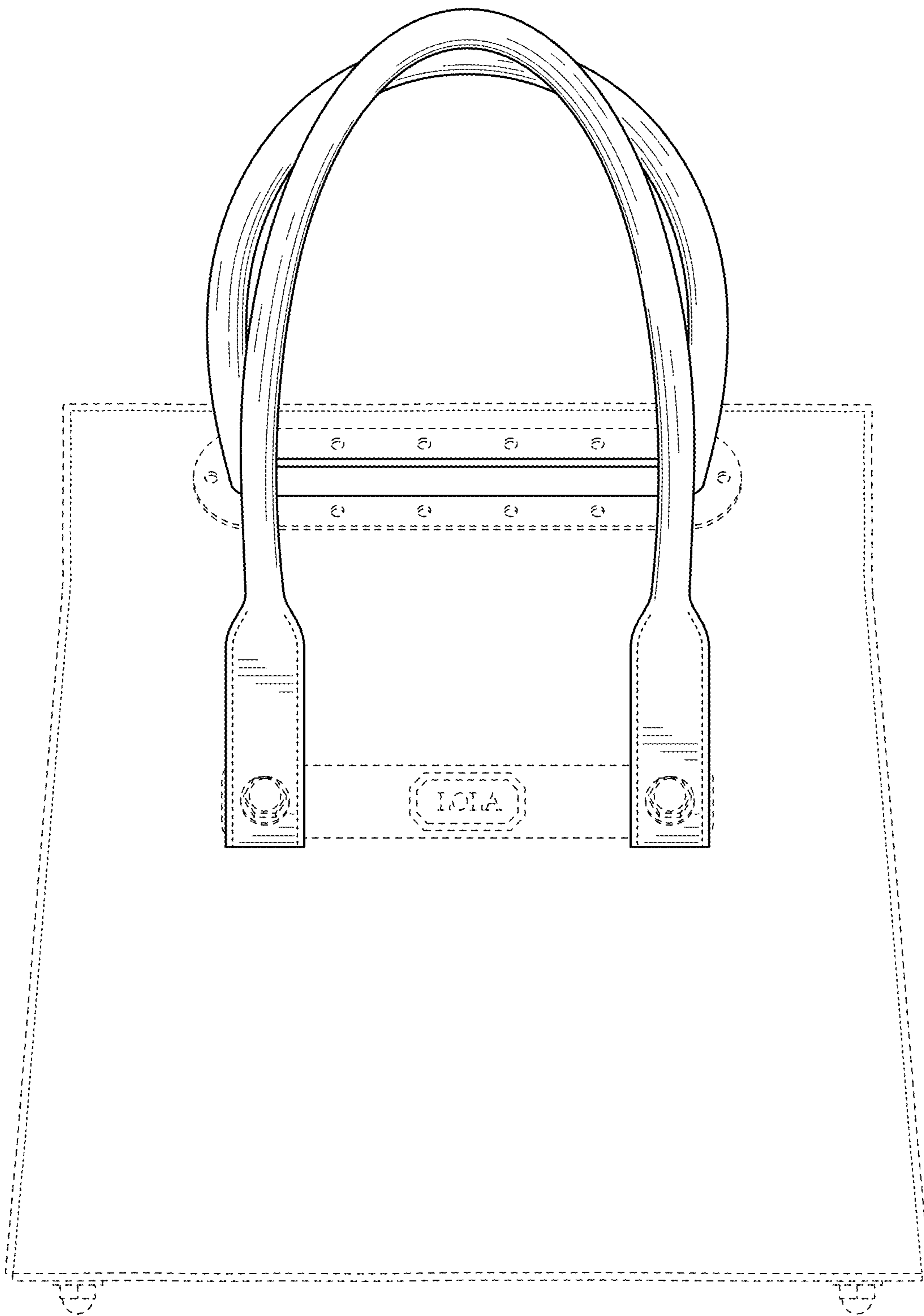


FIG. 28

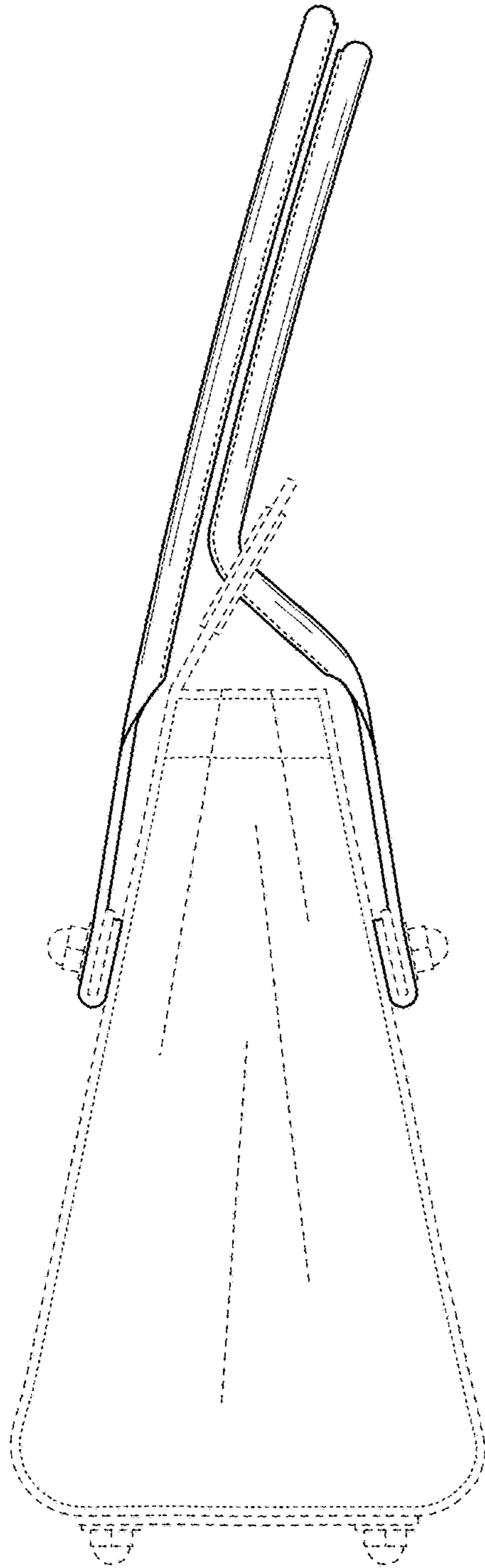


FIG. 29

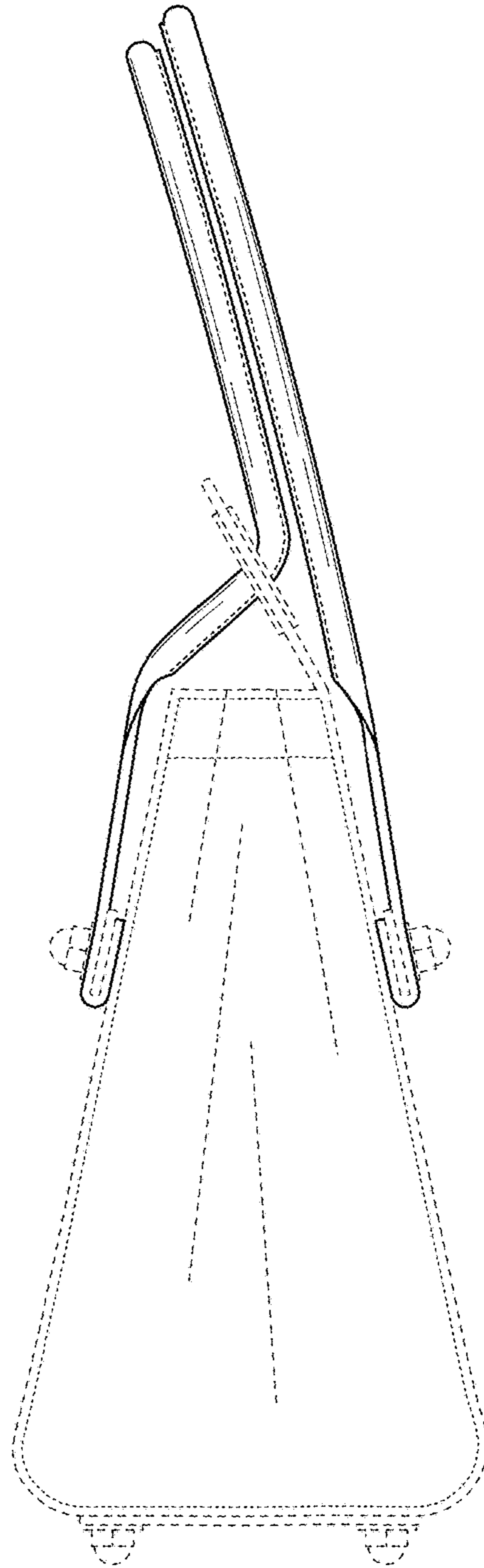


FIG. 30