



US00D810440S

(12) **United States Design Patent**
Veziroglu

(10) **Patent No.:** **US D810,440 S**
(45) **Date of Patent:** **** Feb. 20, 2018**

(54) **BUCKET LIFTER**

(56) **References Cited**

(71) Applicant: **Asfa Plastik Ve Metal Sanayi Dis Ticaret Pazarlama Anonim Sirketi,**
Adana (TR)

U.S. PATENT DOCUMENTS

8,708,383 B1 * 4/2014 Roberts B66F 9/18
294/67.33

(72) Inventor: **Ahmet Veziroglu,** Adana (TR)

* cited by examiner

(73) Assignee: **Asfa Plastik Ve Metal Sanayi Dis Ticaret Pazarlama Anonim Sirketi,**
Adana (TR)

Primary Examiner — Holly Baynham
(74) *Attorney, Agent, or Firm* — Goklap Bayramoglu

(**) Term: **15 Years**

(57) **CLAIM**

The ornamental design for a bucket lifter applied to bucket, as shown and described.

(21) Appl. No.: **29/535,516**

DESCRIPTION

(22) Filed: **Aug. 7, 2015**

FIG. 1 is a perspective view of the bucket lifter;
FIG. 2 is another perspective view thereof;
FIG. 3 is a fragmented, enlarged view thereof;
FIG. 4 is a reduced scale, perspective view of the rim of the bucket lifter;
FIG. 5 is a perspective view of the attachment; and,
FIG. 6 is a rear view of the attachment.

(30) **Foreign Application Priority Data**

Jun. 4, 2015 (TR) 2015/04211

(51) **LOC (11) Cl.** **03-01**

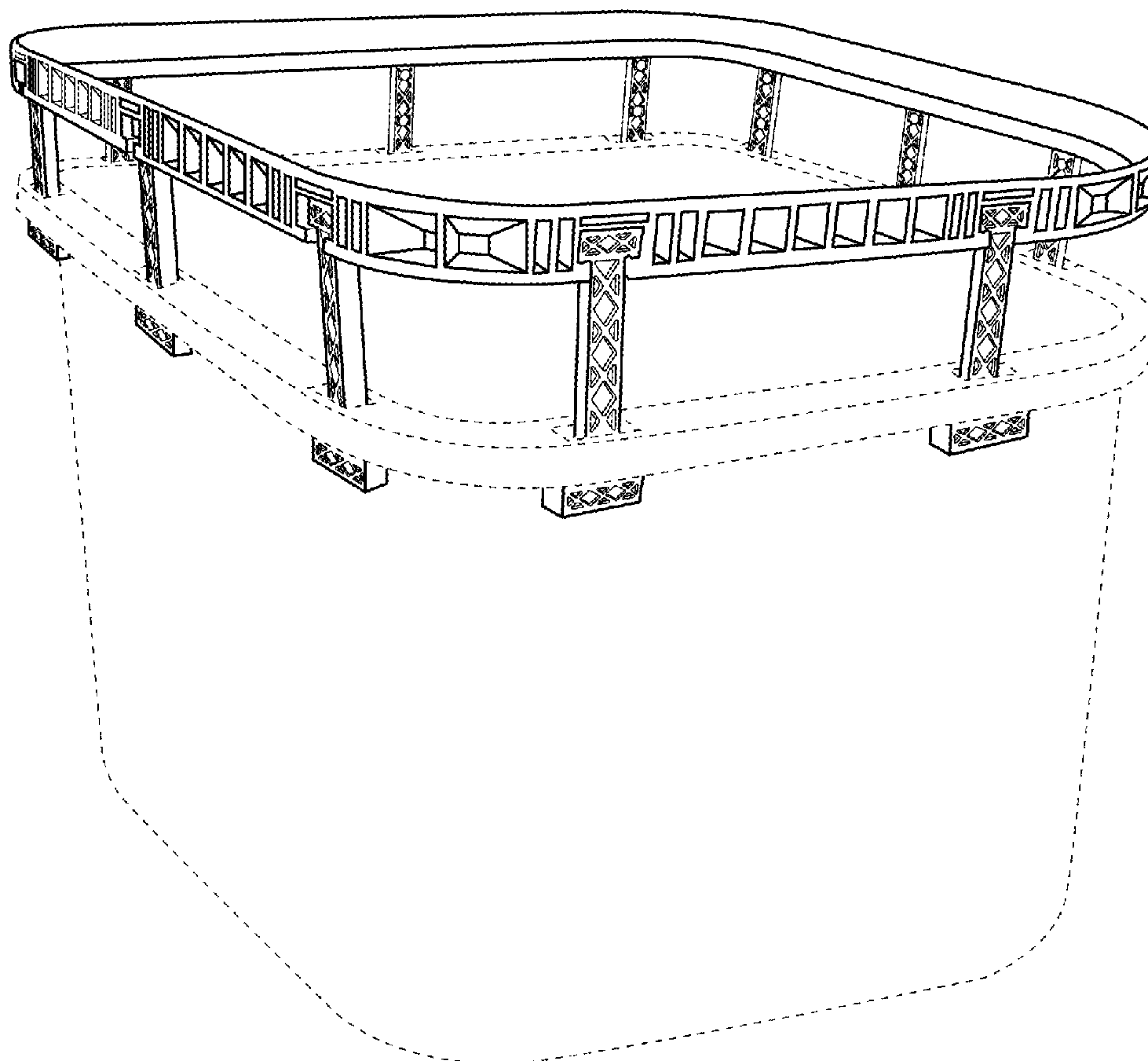
(52) **U.S. Cl.**
USPC **D3/318**

(58) **Field of Classification Search**
USPC D3/318; D34/35
CPC A44C 3/00
See application file for complete search history.

The broken lines showing a bucket are for the purposes of illustrating environment and forms no part of the claimed design.

The elements shown in FIGS. 4-6 are shown detached for ease and clarity of illustration.

1 Claim, 6 Drawing Sheets



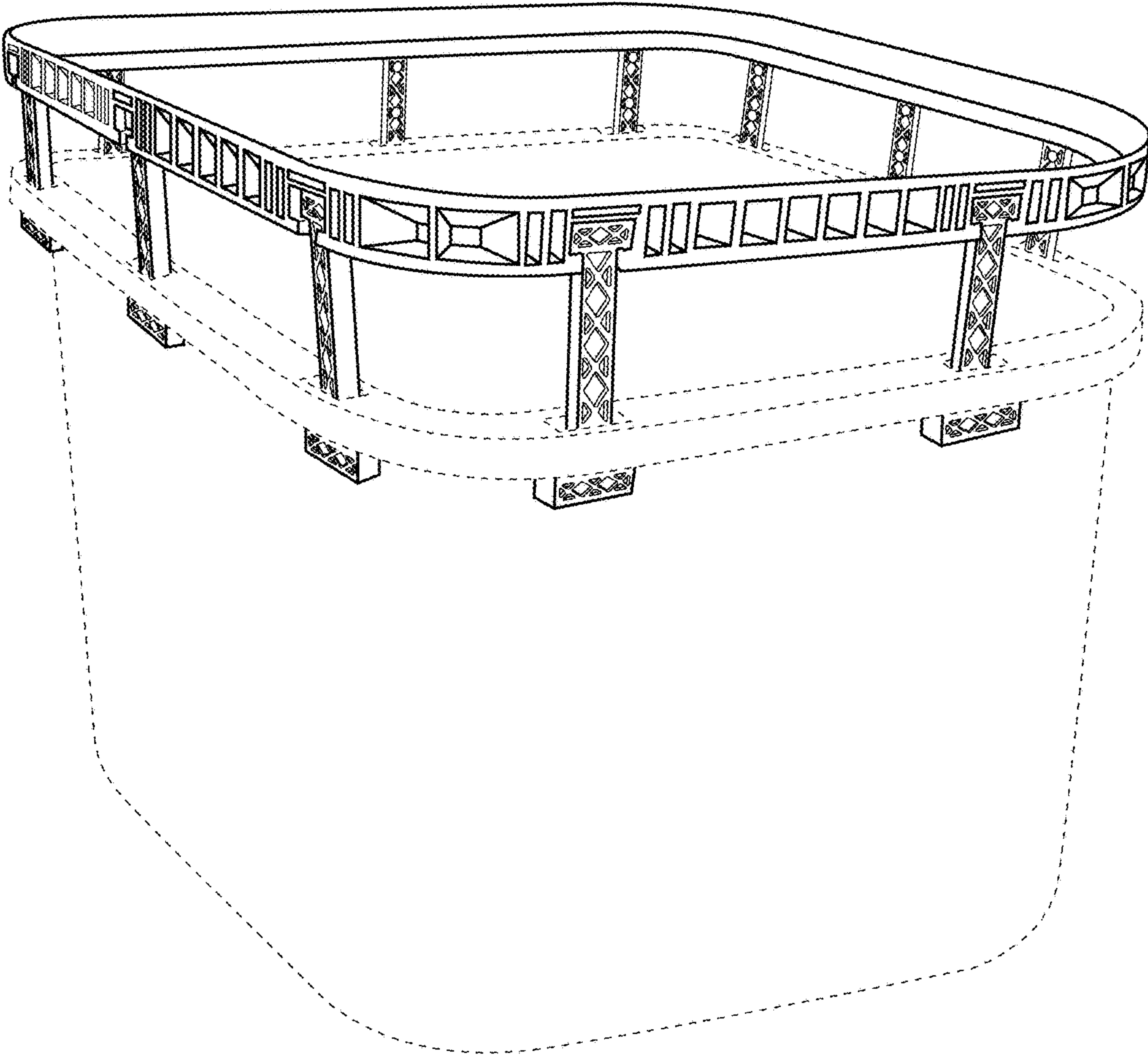


FIG. 1

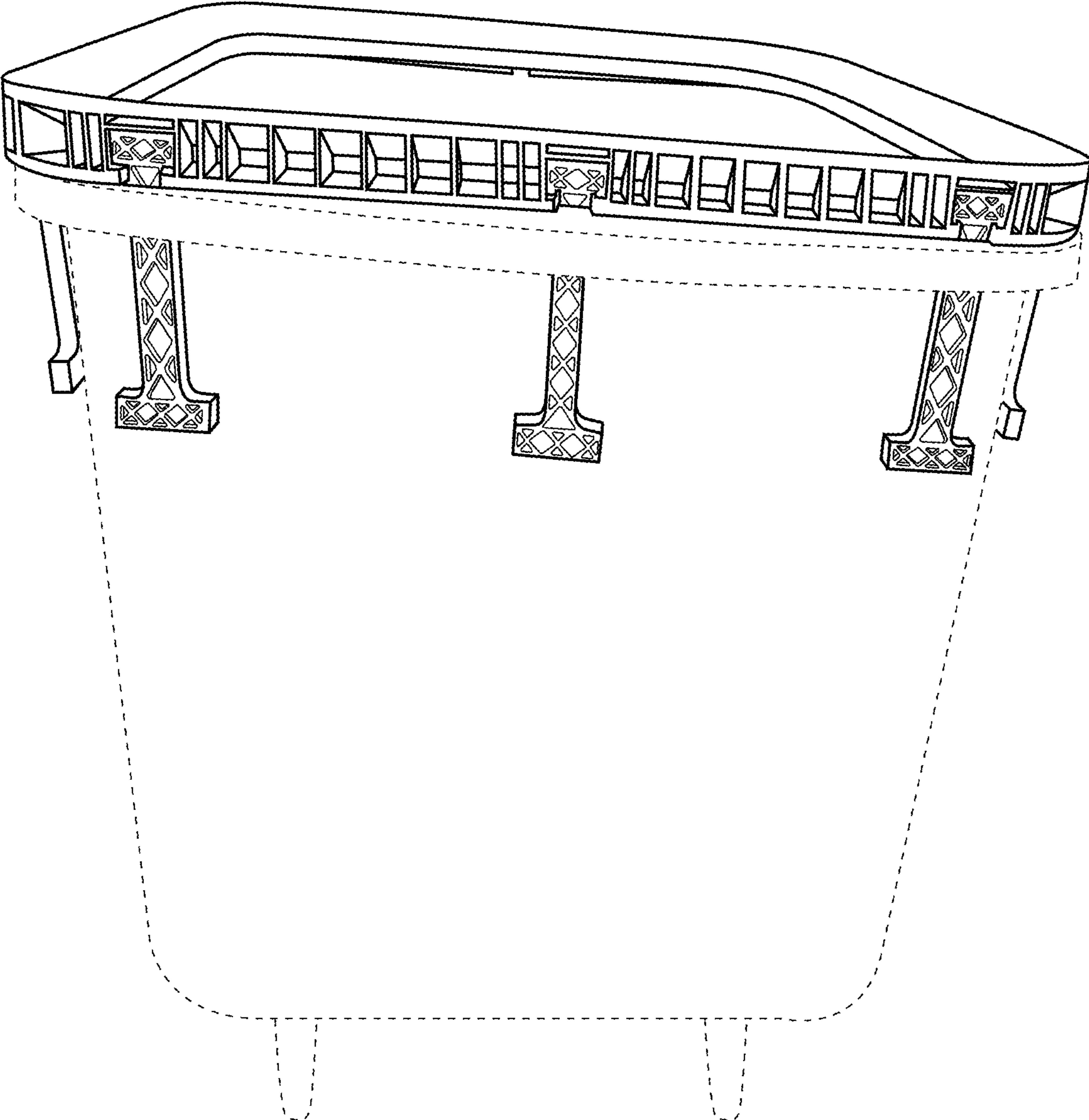


FIG. 2

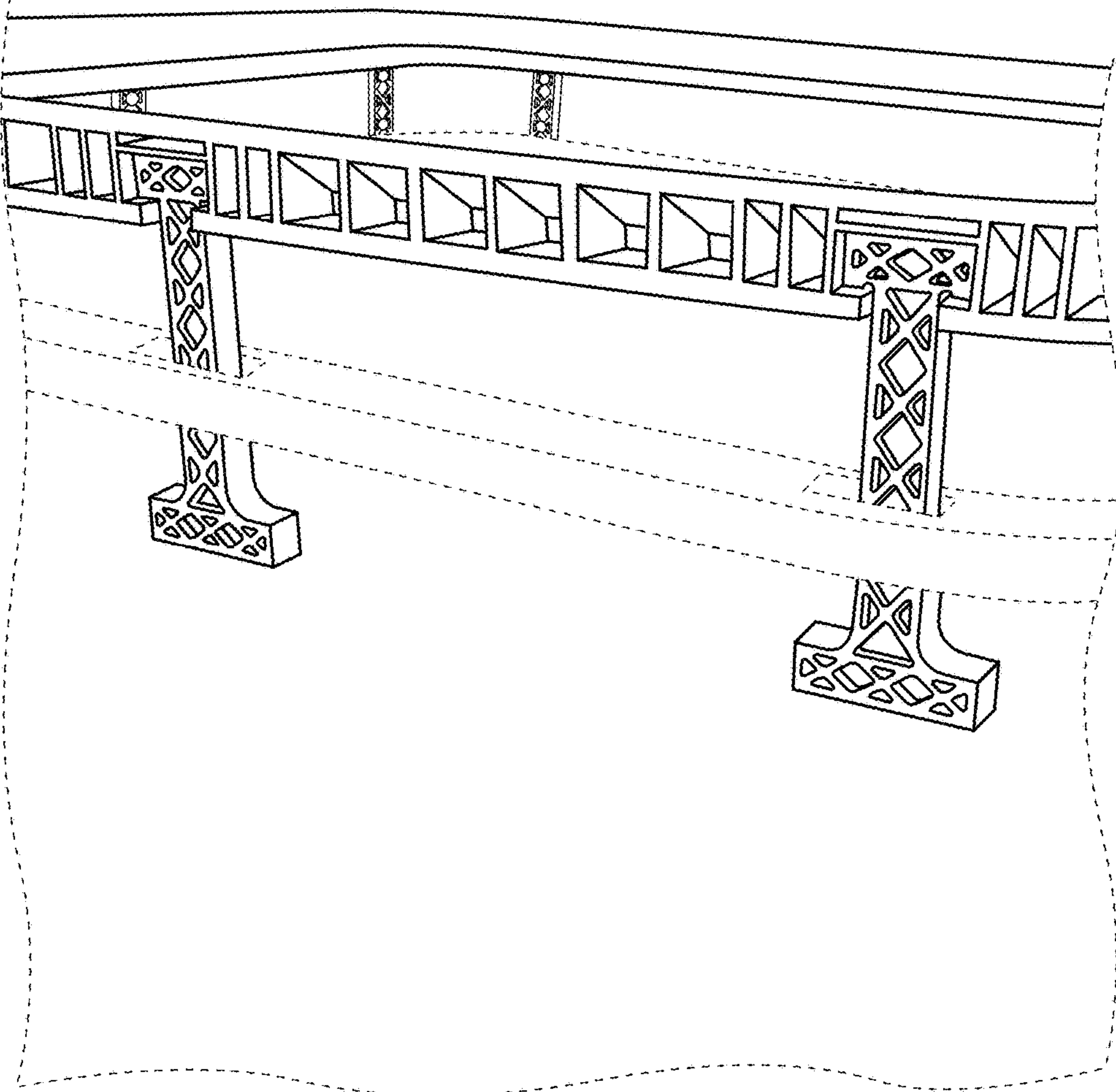


FIG. 3

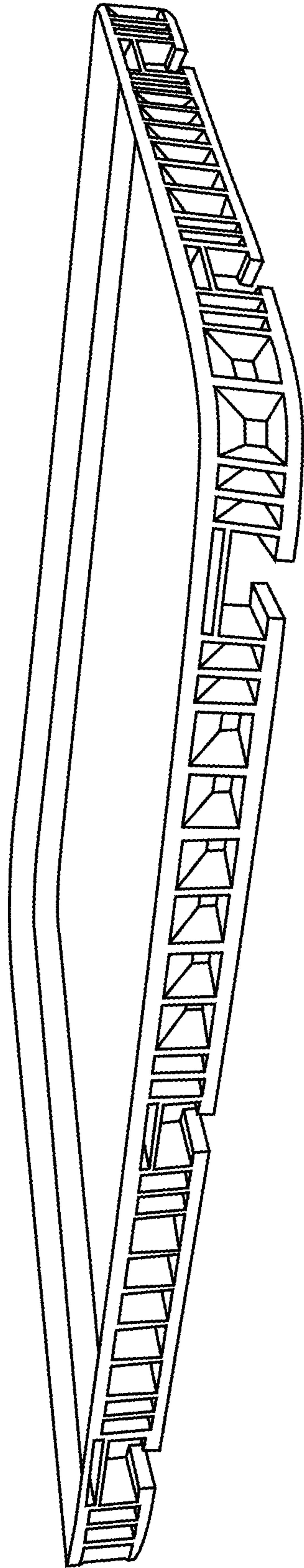


FIG. 4

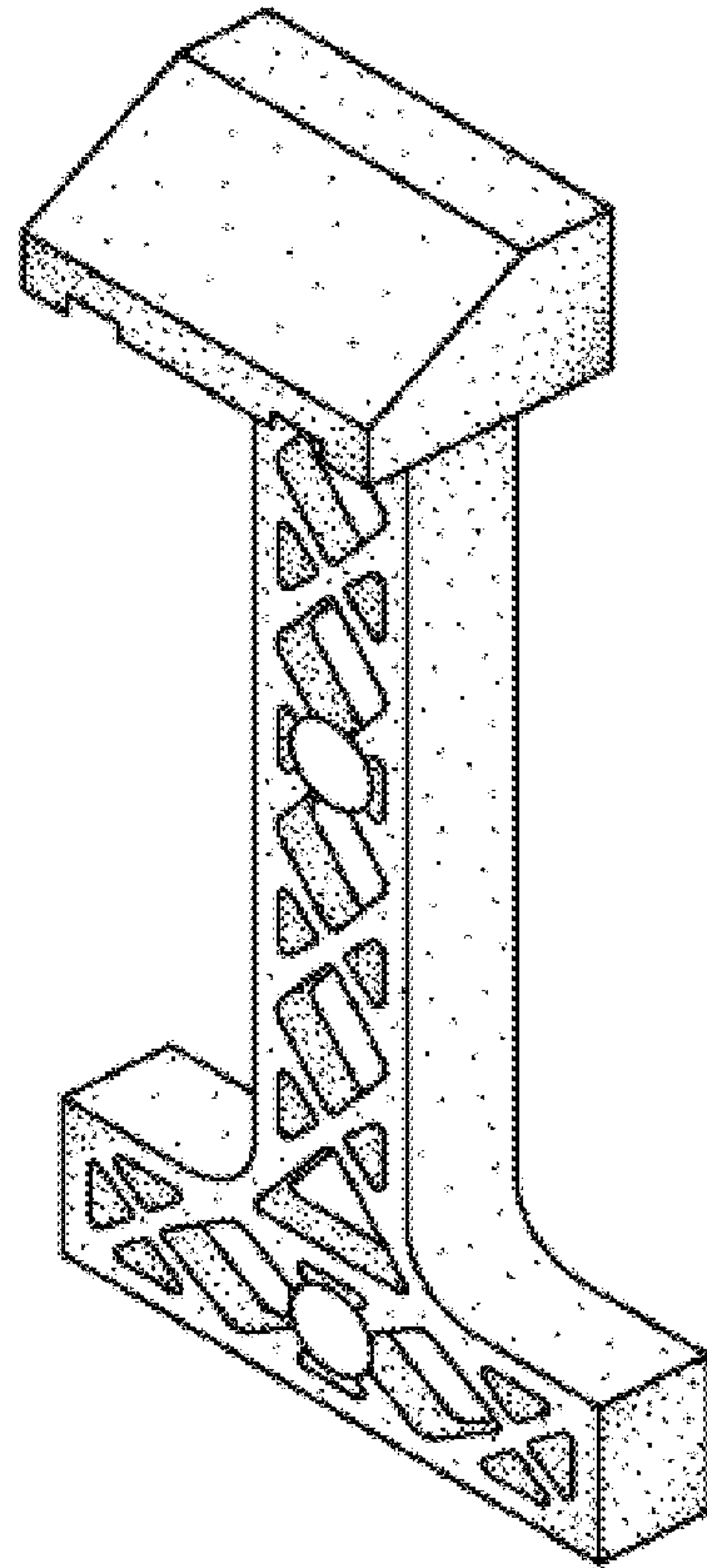


FIG. 5

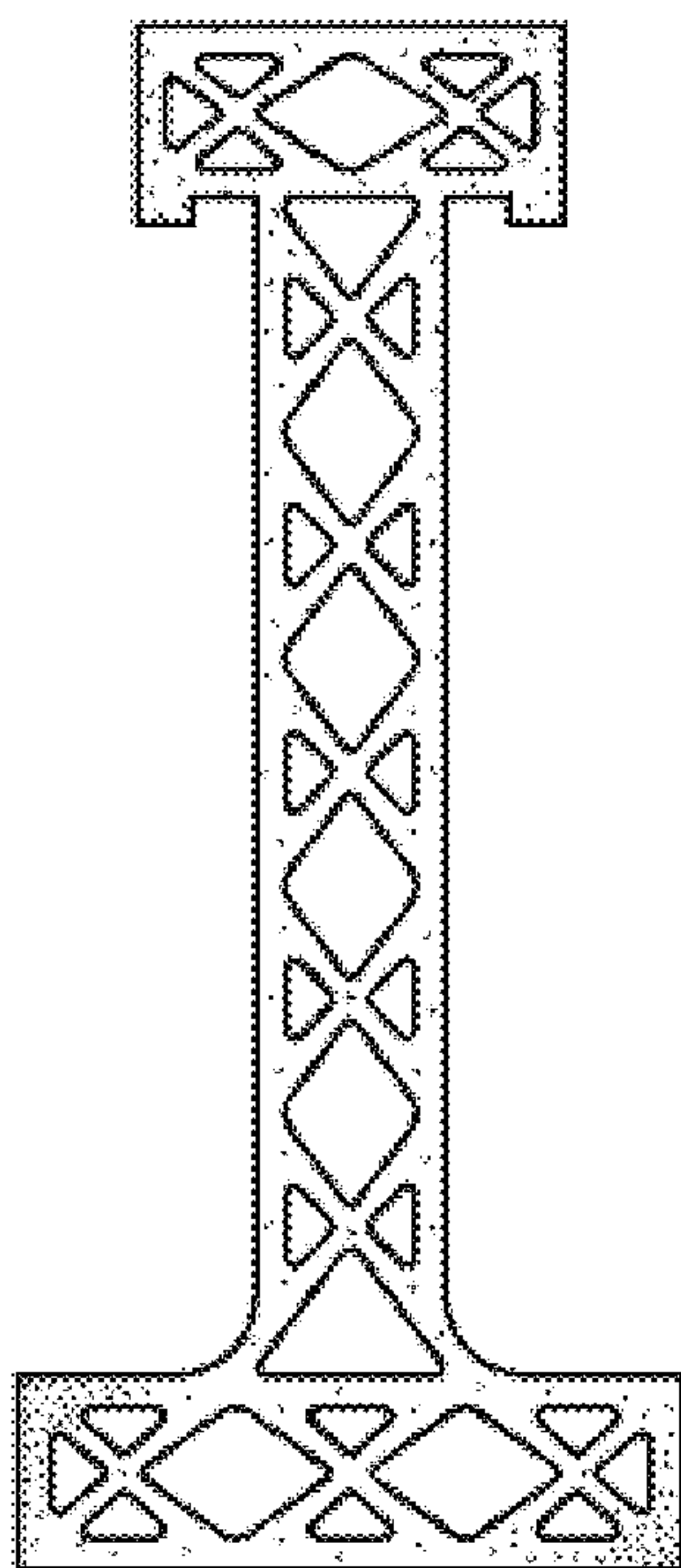


FIG. 6