



US00D810439S

(12) **United States Design Patent**
Martin Tellez

(10) **Patent No.:** **US D810,439 S**

(45) **Date of Patent:** **** Feb. 20, 2018**

(54) **BOX**

(71) Applicant: **PROARCE S.A. DE CV.**, Naucalpan de Juarez (MX)

(72) Inventor: **Miguel Angel Martin Tellez**, Alce Blanco (MX)

(73) Assignee: **PROARCE, S.A. DE C.V.**, Naucalpan de Juarez (MX)

(**) Term: **15 Years**

(21) Appl. No.: **29/548,549**

(22) Filed: **Dec. 15, 2015**

(30) **Foreign Application Priority Data**

Jun. 15, 2015 (MX) MX/f/2015/001836

(51) **LOC (11) Cl.** **03-01**

(52) **U.S. Cl.**
USPC **D3/314**

(58) **Field of Classification Search**

USPC D3/304, 307-309, 314, 311-312, 315;
206/521, 521.1, 503, 506

CPC B65D 19/02; B65D 19/00; B65D 19/38
See application file for complete search history.

(56) **References Cited**

U.S. PATENT DOCUMENTS

D292,634 S * 11/1987 Chabot D3/307
D505,262 S * 5/2005 Chinni D3/309

D553,858 S * 10/2007 Sabanci D3/305
D661,901 S * 6/2012 Orgeldinger D3/305
D663,121 S * 7/2012 Barth D3/304
D670,081 S * 11/2012 Orgeldinger D3/307
D684,368 S * 6/2013 Stolzman D3/304
D701,698 S * 4/2014 Orgeldinger D3/304

* cited by examiner

Primary Examiner — Kelley Donnelly

(74) *Attorney, Agent, or Firm* — Volpe and Koenig, P.C.

(57) **CLAIM**

The ornamental design for a box, substantially as shown and described.

DESCRIPTION

FIG. 1 is a top perspective view of the box of my new design;

FIG. 2 is a bottom perspective view thereof;

FIG. 3 is right elevational side view thereof;

FIG. 4 is a front elevational view thereof;

FIG. 5 is left elevational side view thereof;

FIG. 6 is a rear elevational view thereof;

FIG. 7 is a top plan view thereof;

FIG. 8 is a bottom plan view thereof;

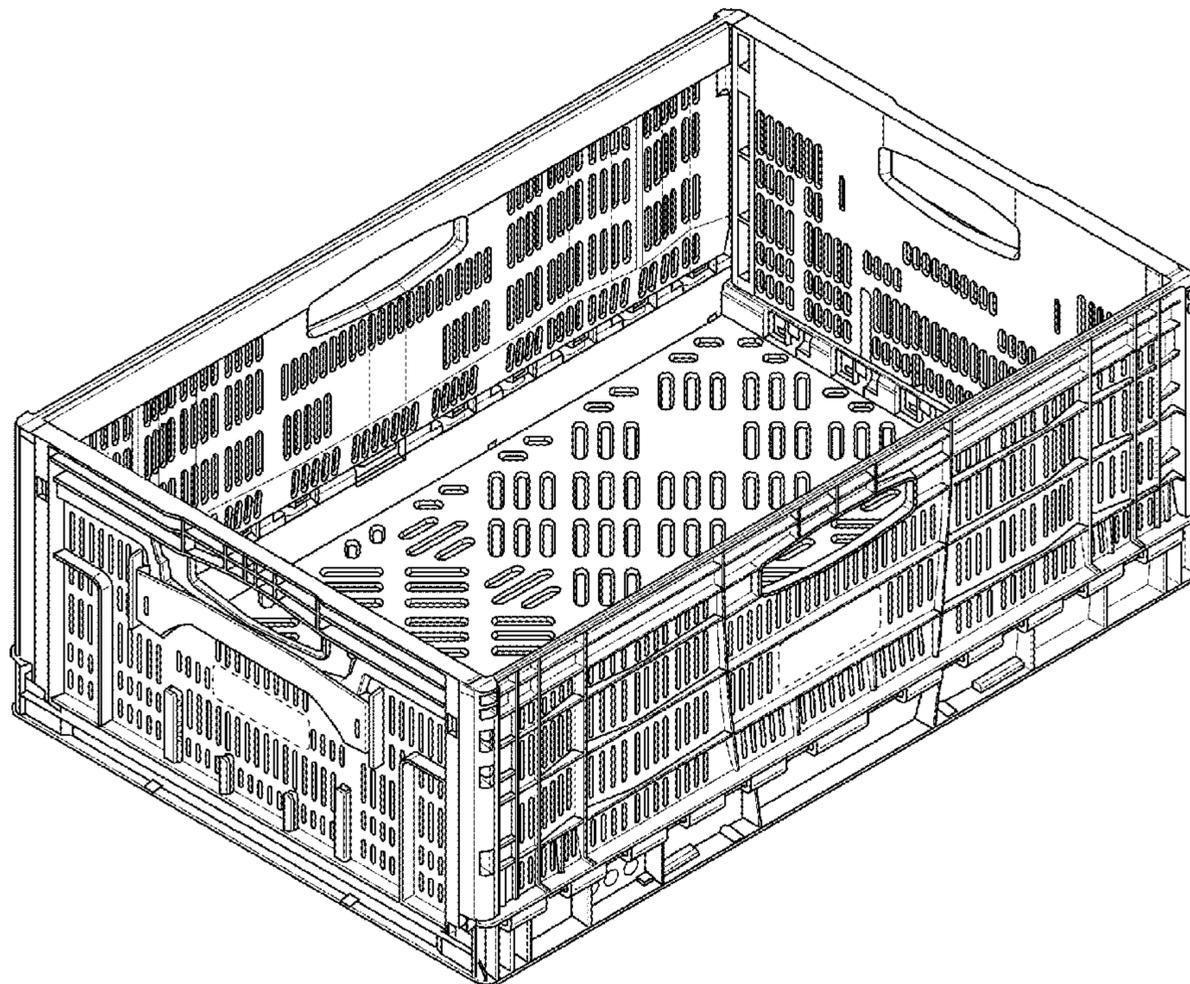
FIG. 9 is a second bottom perspective view thereof;

FIG. 10 is a right perspective view thereof; and,

FIG. 11 is a left perspective view thereof.

The broken lines in the drawing represent environmental structure or boundaries that form no part of the design to be patented.

1 Claim, 11 Drawing Sheets



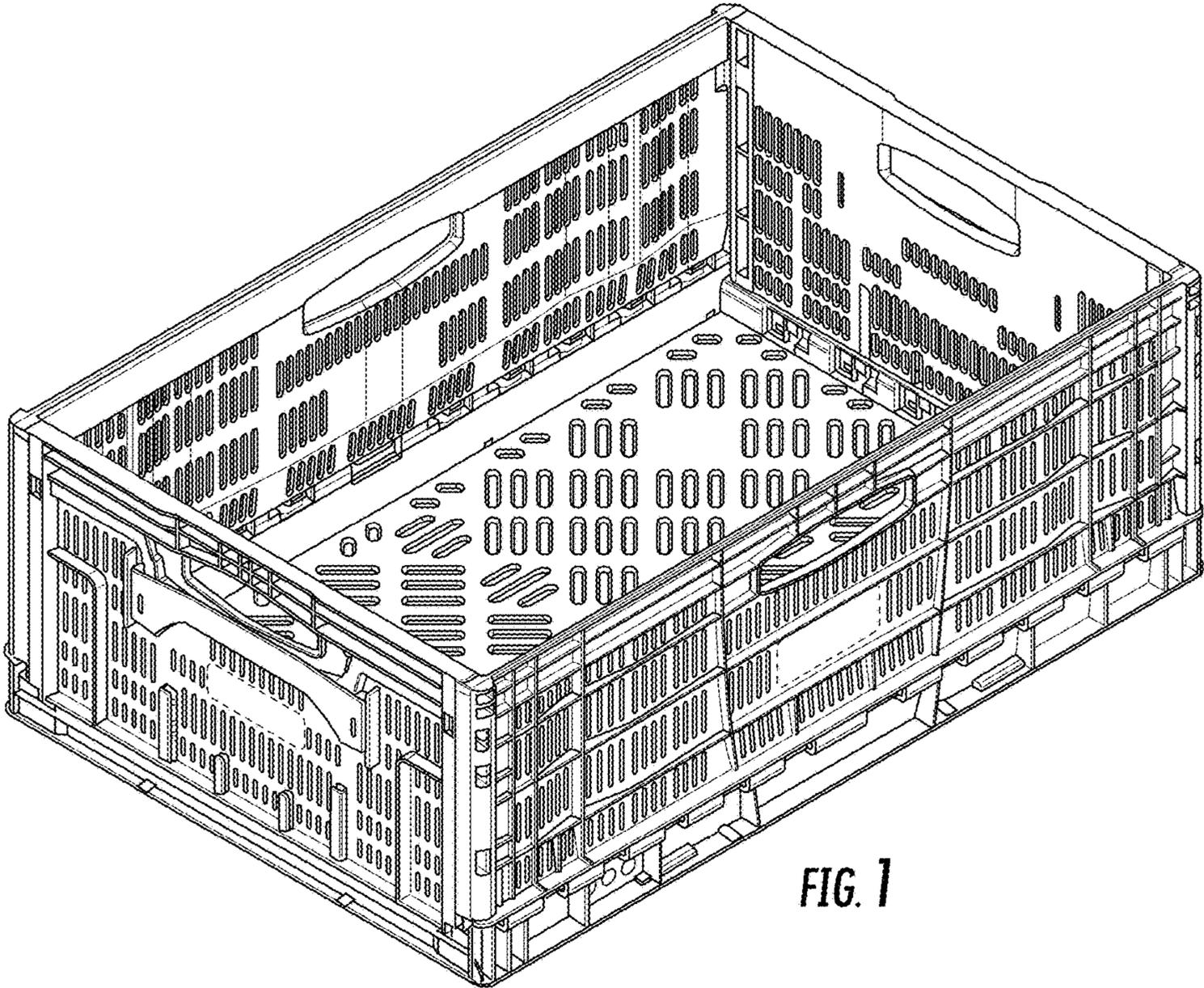


FIG. 1

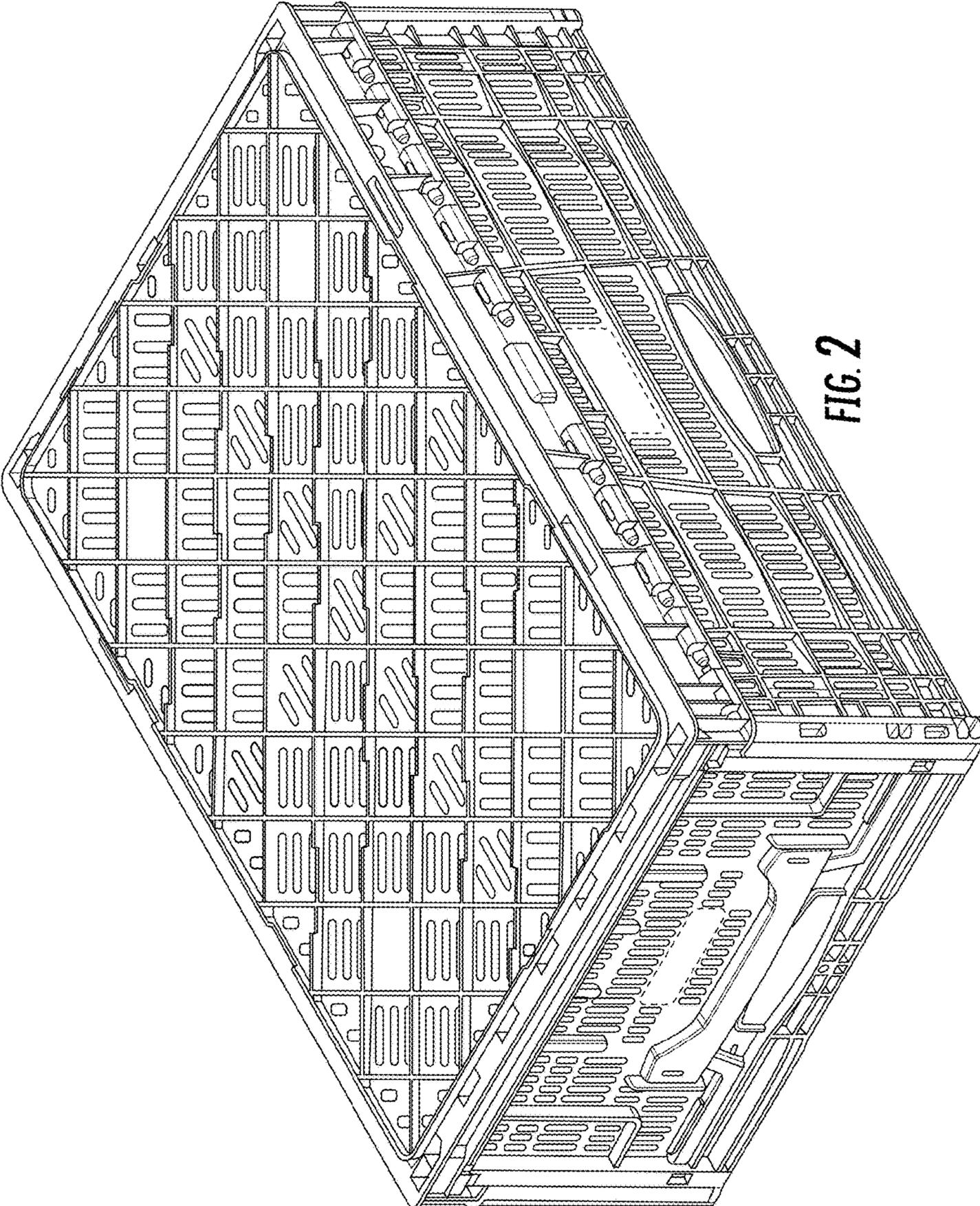


FIG. 2

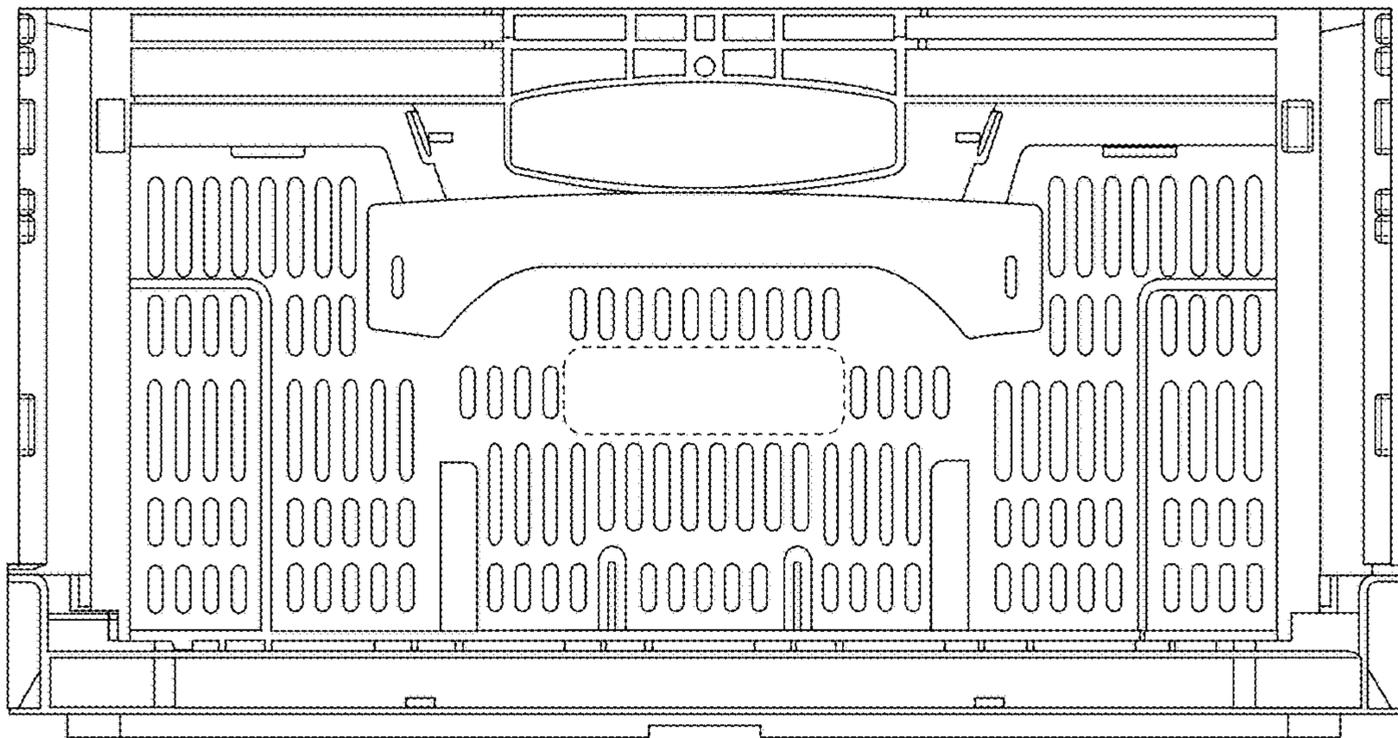


FIG. 3

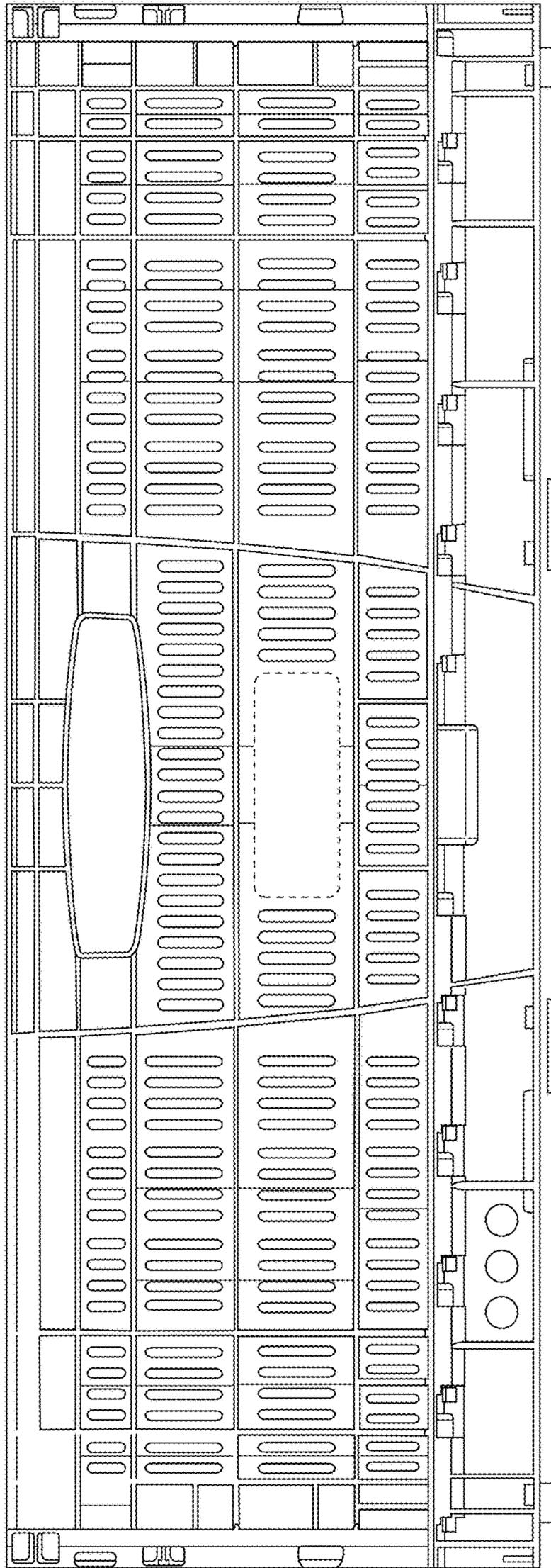


FIG. 4

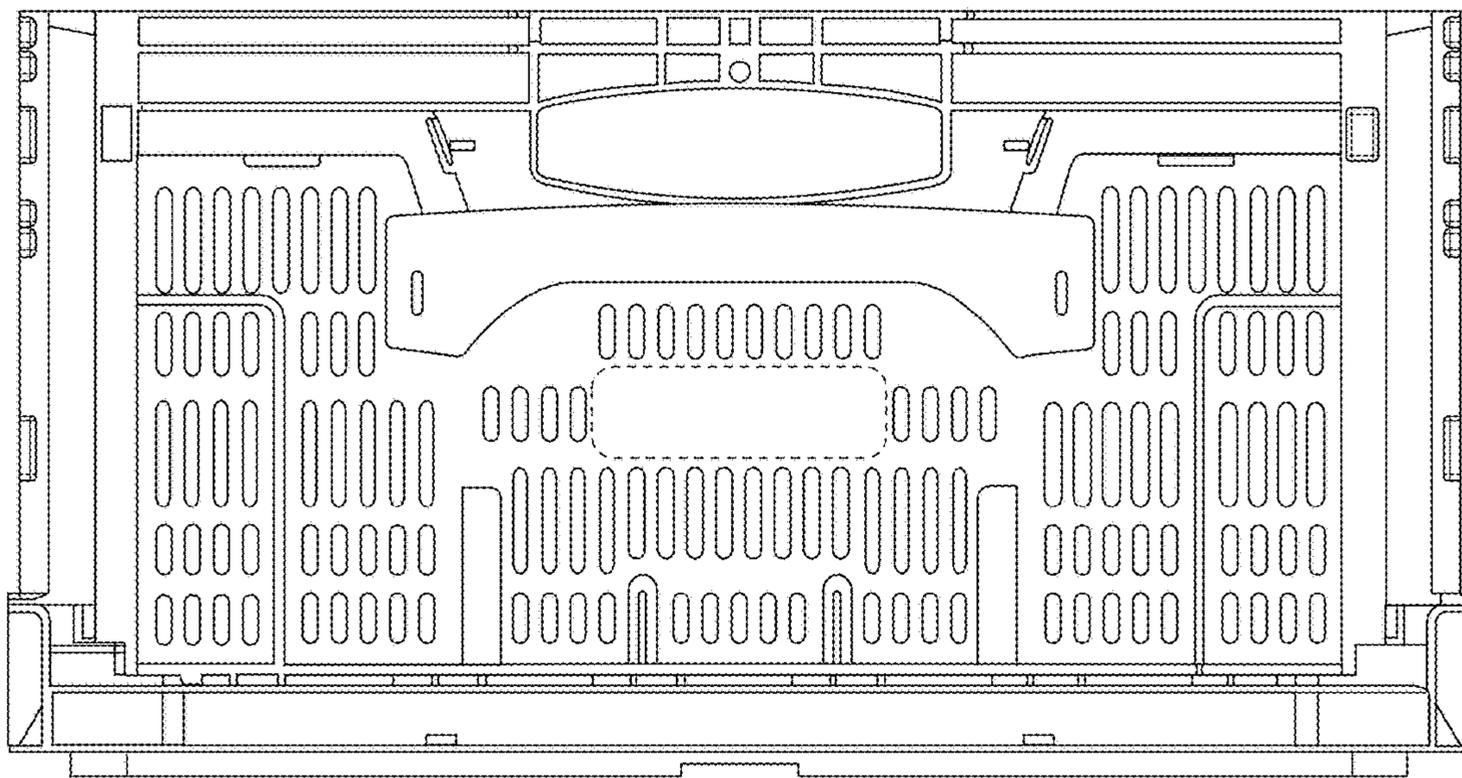


FIG. 5

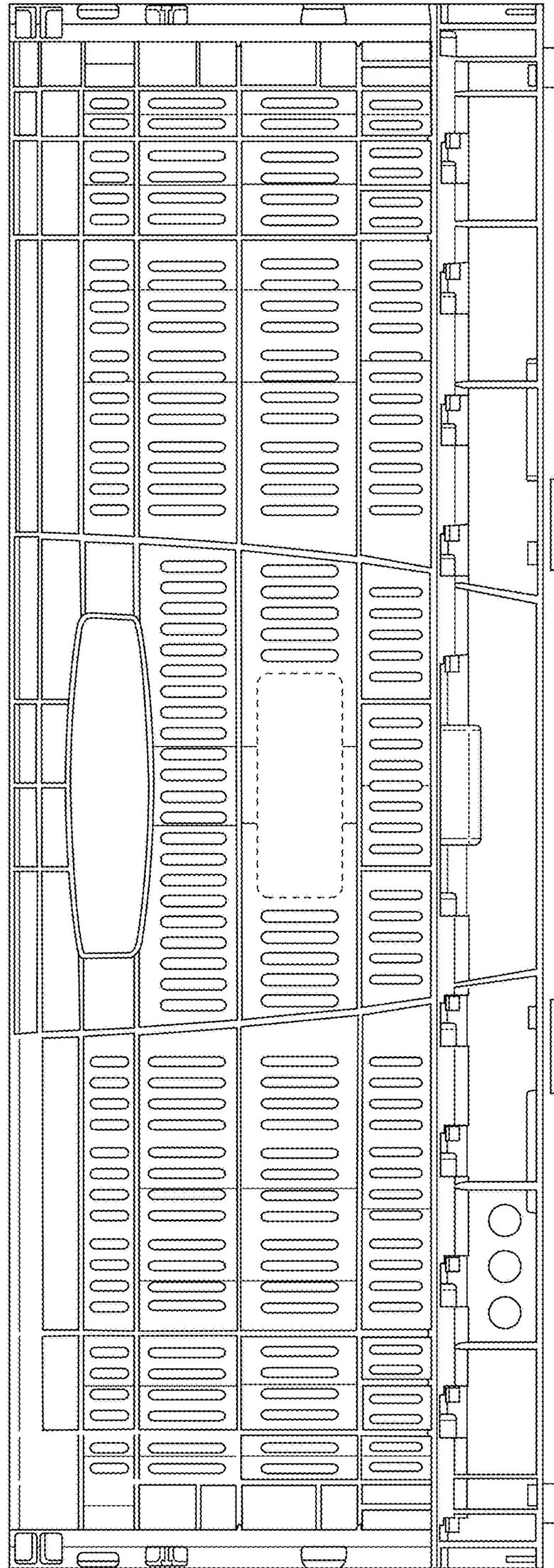


FIG. 6

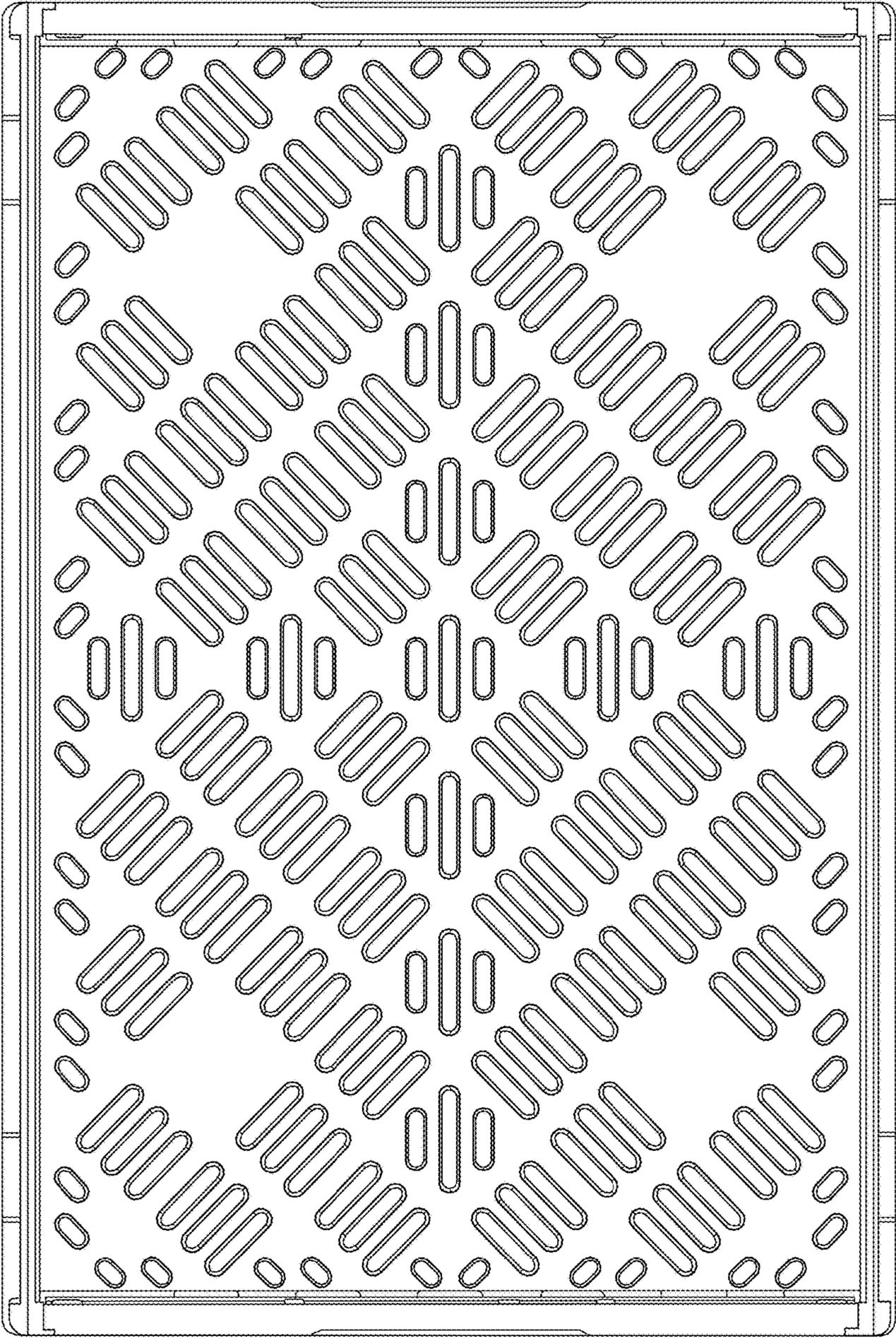


FIG. 7

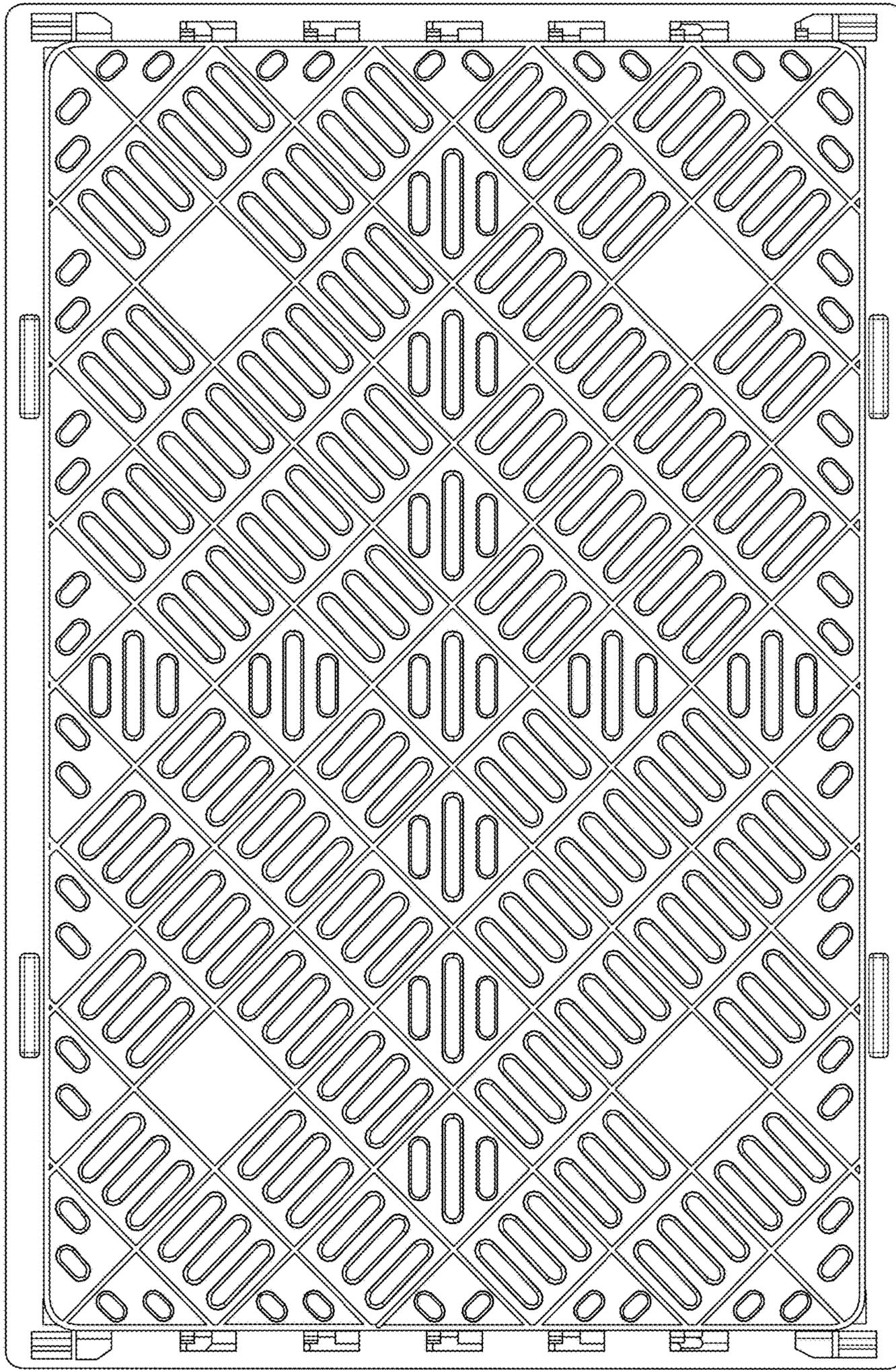


FIG. 8

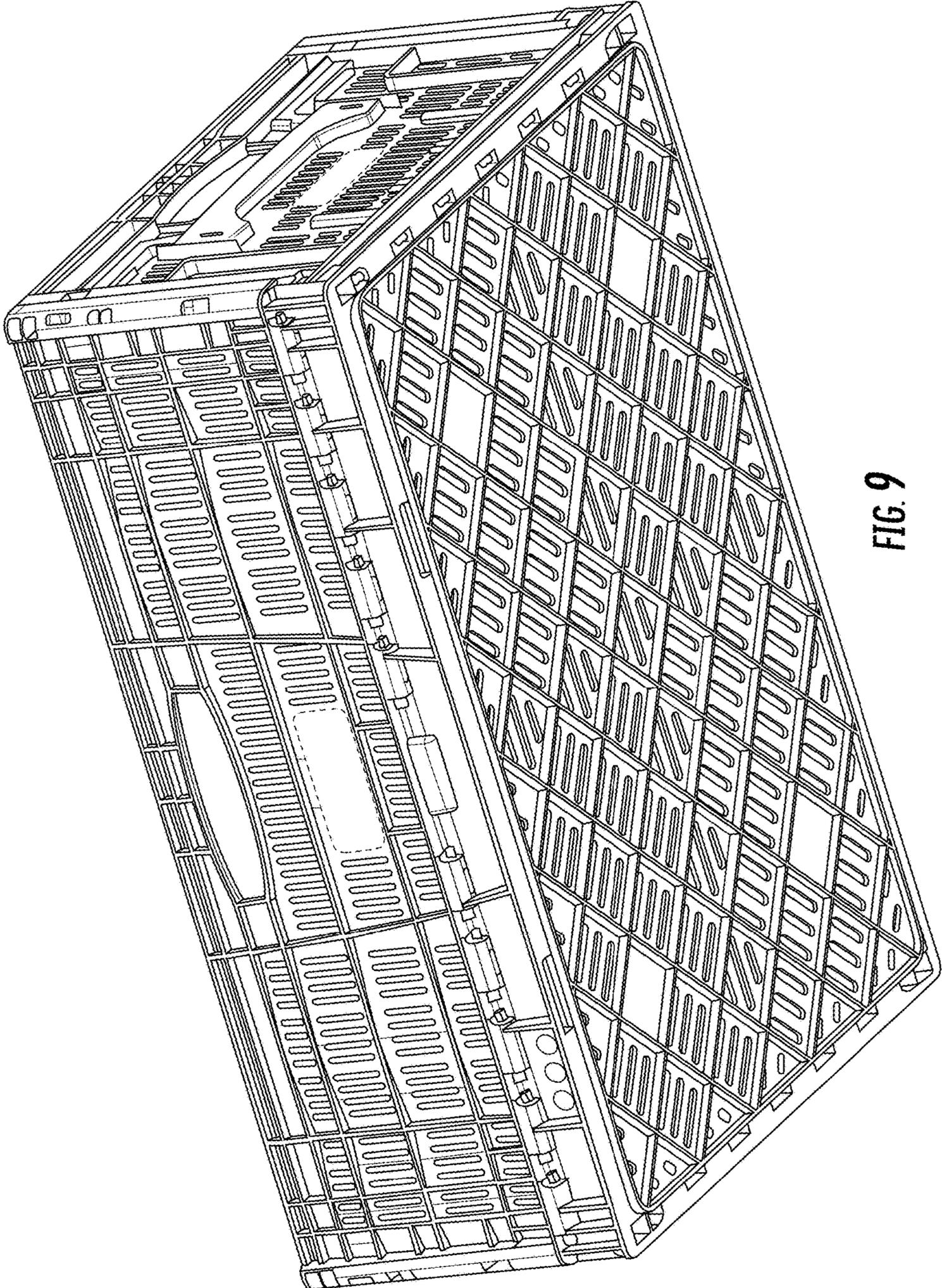


FIG. 9

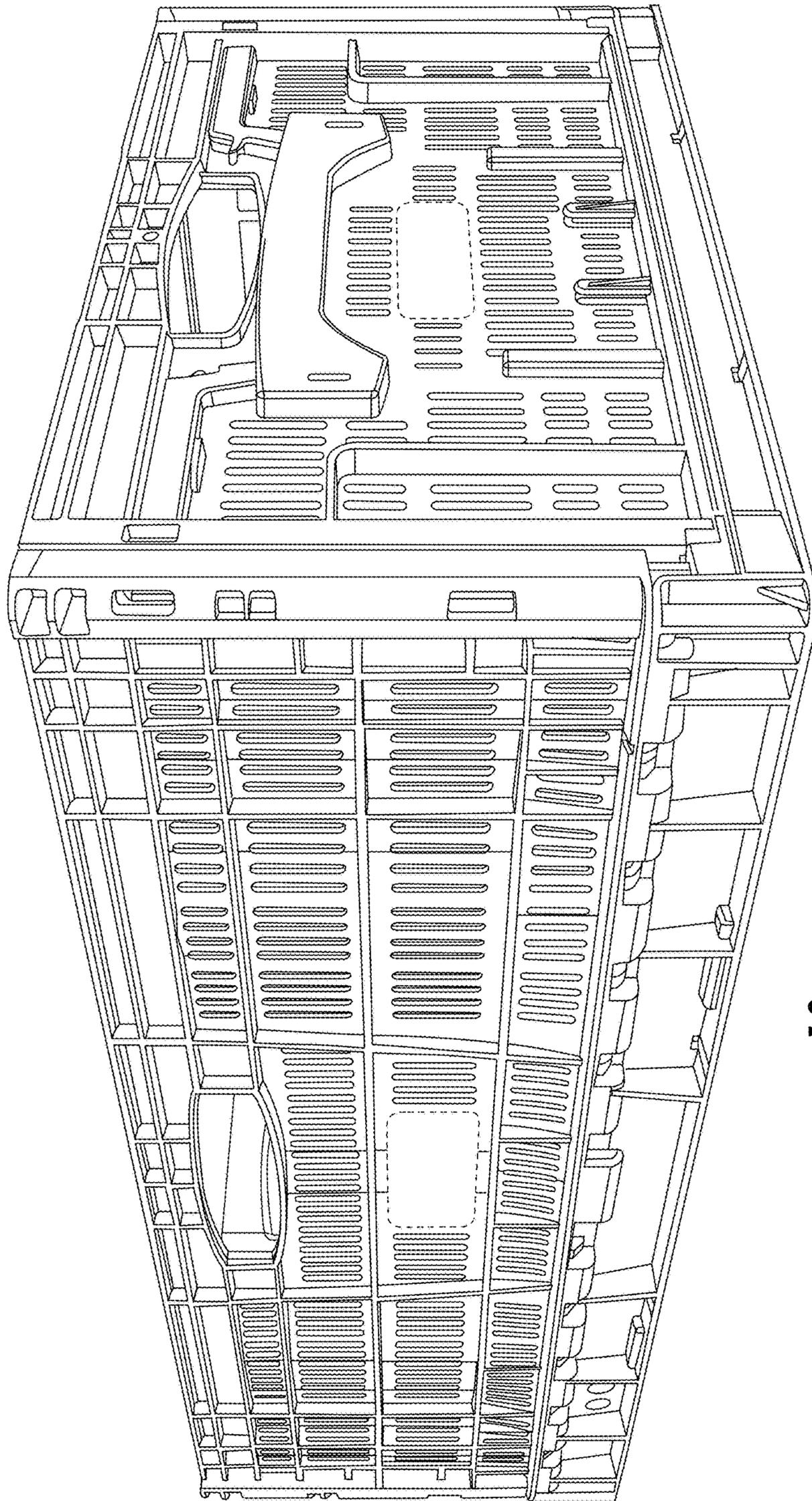


FIG. 10

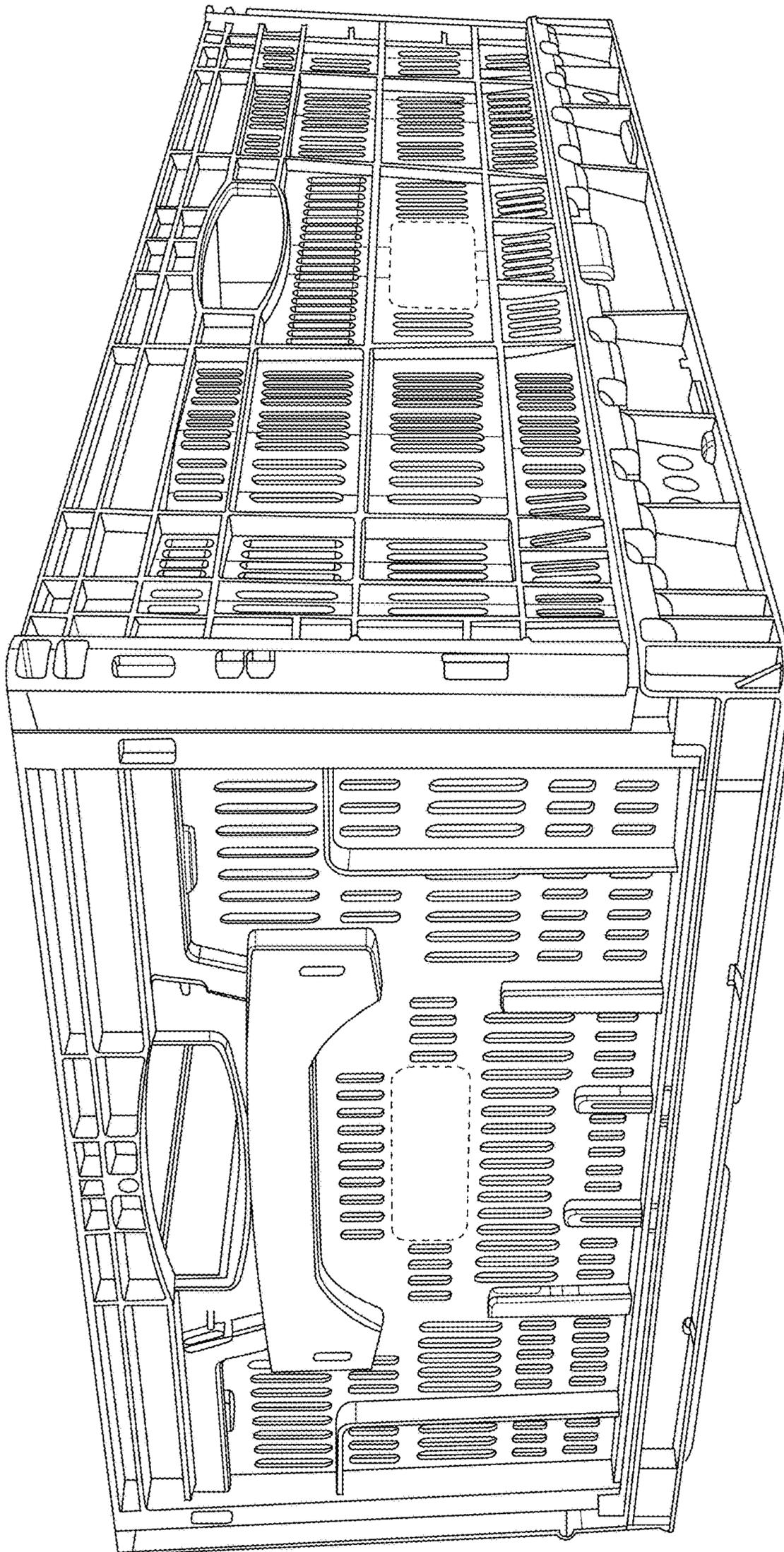


FIG. 11