

US00D810438S

(12) **United States Design Patent** (10) **Patent No.:** **US D810,438 S**  
**Romzek** (45) **Date of Patent:** **\*\* Feb. 20, 2018**

(54) **WIRE BASKET**

(71) Applicant: **Chadwick Irvin Romzek**, Neenah, WI (US)

(72) Inventor: **Chadwick Irvin Romzek**, Neenah, WI (US)

(\*\*) Term: **15 Years**

(21) Appl. No.: **29/579,783**

(22) Filed: **Oct. 3, 2016**

(51) **LOC (11) Cl.** ..... **03-01**

(52) **U.S. Cl.**  
USPC ..... **D3/306**

(58) **Field of Classification Search**  
USPC ..... D3/304, 306, 315; D7/550.1, 554.2,  
D7/554.3; D19/75, 77, 78, 81  
CPC ..... A47G 19/12; A47G 23/06; A47G 21/08;  
A47J 47/14  
See application file for complete search history.

(56) **References Cited**

U.S. PATENT DOCUMENTS

4,250,664	A *	2/1981	Remke	.....	A01G 23/04 206/423
D311,666	S *	10/1990	Burke	.....	D8/1
D448,320	S *	9/2001	Jones	.....	D11/148
6,874,276	B2 *	4/2005	Morrison	.....	A01G 9/12 220/485
D567,030	S *	4/2008	Goodman	.....	D3/306
D616,254	S *	5/2010	Goodman	.....	D7/601
D620,711	S *	8/2010	Hertaus	.....	D3/306
D633,755	S *	3/2011	Guindi	.....	D7/601
D634,933	S *	3/2011	Hertaus	.....	D3/306

D671,286	S *	11/2012	Pelosi	.....	D32/37
D674,244	S *	1/2013	Sar Shalom	.....	D7/306
D678,637	S *	3/2013	Pelosi	.....	D32/37
D698,205	S *	1/2014	Goodman	.....	D7/601
D748,437	S *	2/2016	Goodman	.....	D7/584
D751,186	S *	3/2016	Romzek	.....	D23/410
D776,984	S *	1/2017	Goodman	.....	D7/601
D784,771	S *	4/2017	Goodman	.....	D23/261
D786,016	S *	5/2017	Goodman	.....	D7/500
2009/0038219	A1 *	2/2009	Bitel	.....	A01G 23/04 47/73

\* cited by examiner

*Primary Examiner* — Kelley Donnelly

(74) *Attorney, Agent, or Firm* — Mark Young, P.A.

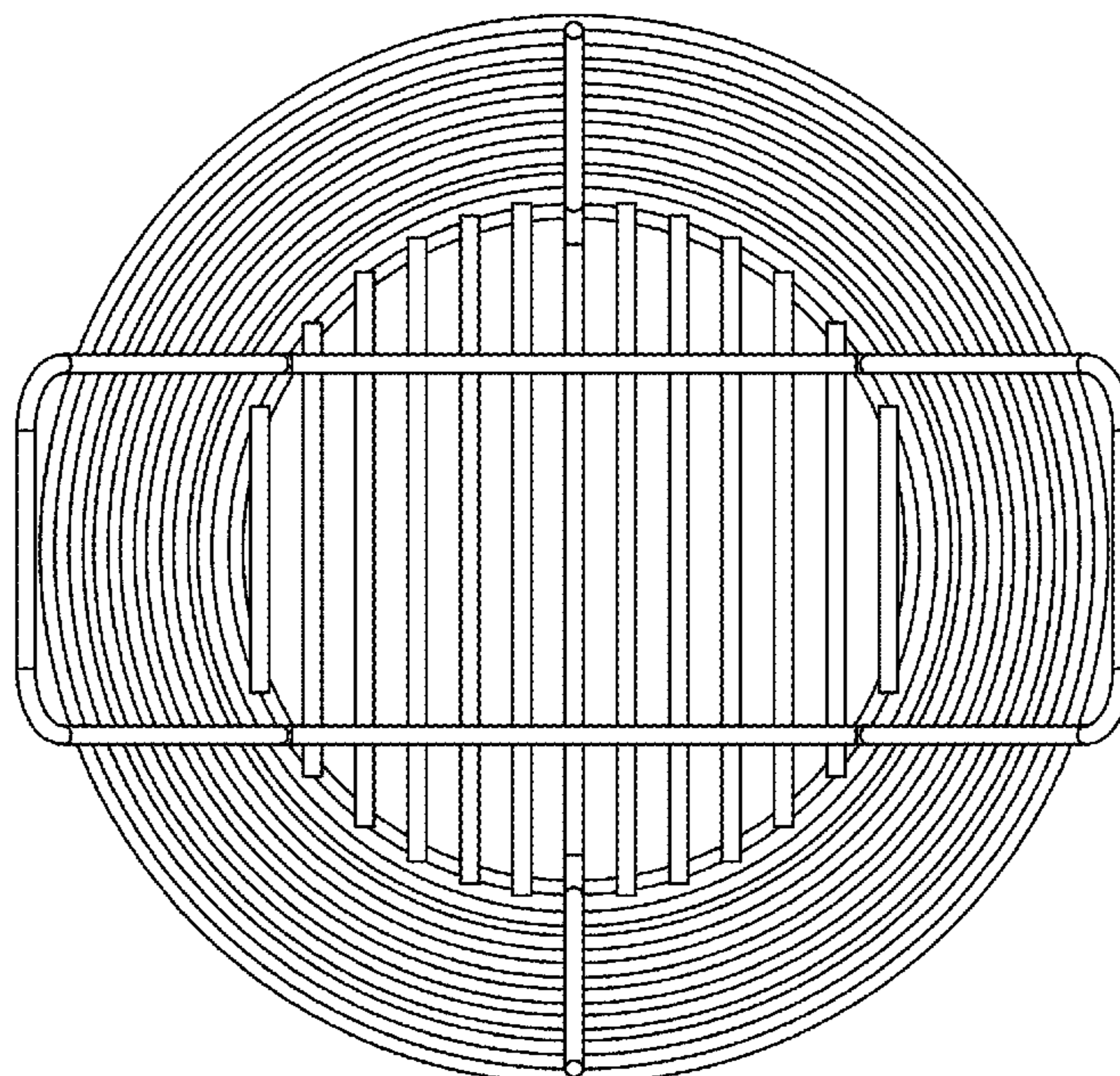
(57) **CLAIM**

The ornamental design for a wire basket, as shown and described.

**DESCRIPTION**

FIG. 1 provides a plan view of a wire basket.  
 FIG. 2 provides a first side view of the wire basket.  
 FIG. 3 provides a front view of the wire basket.  
 FIG. 4 provides a bottom view of the wire basket.  
 FIG. 5 provides a back view of the wire basket.  
 FIG. 6 provides a second side view of the wire basket.  
 FIG. 7 provides a first top perspective view of the wire basket.  
 FIG. 8 provides a second top perspective view of the wire basket.  
 FIG. 9 provides a first bottom perspective view of the wire basket; and,  
 FIG. 10 provides a second bottom perspective view of the wire basket.

**1 Claim, 10 Drawing Sheets**



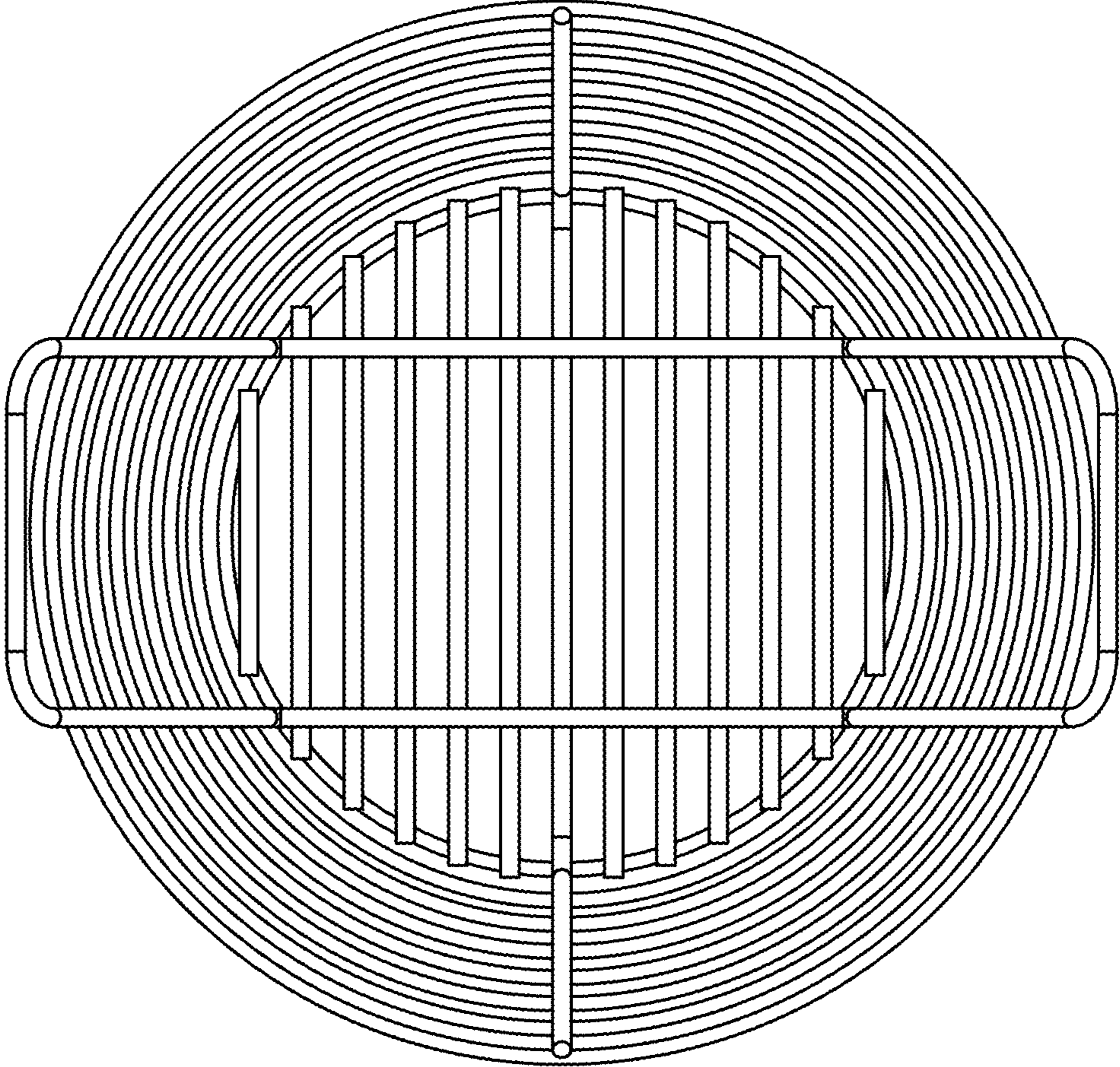


FIG. 1

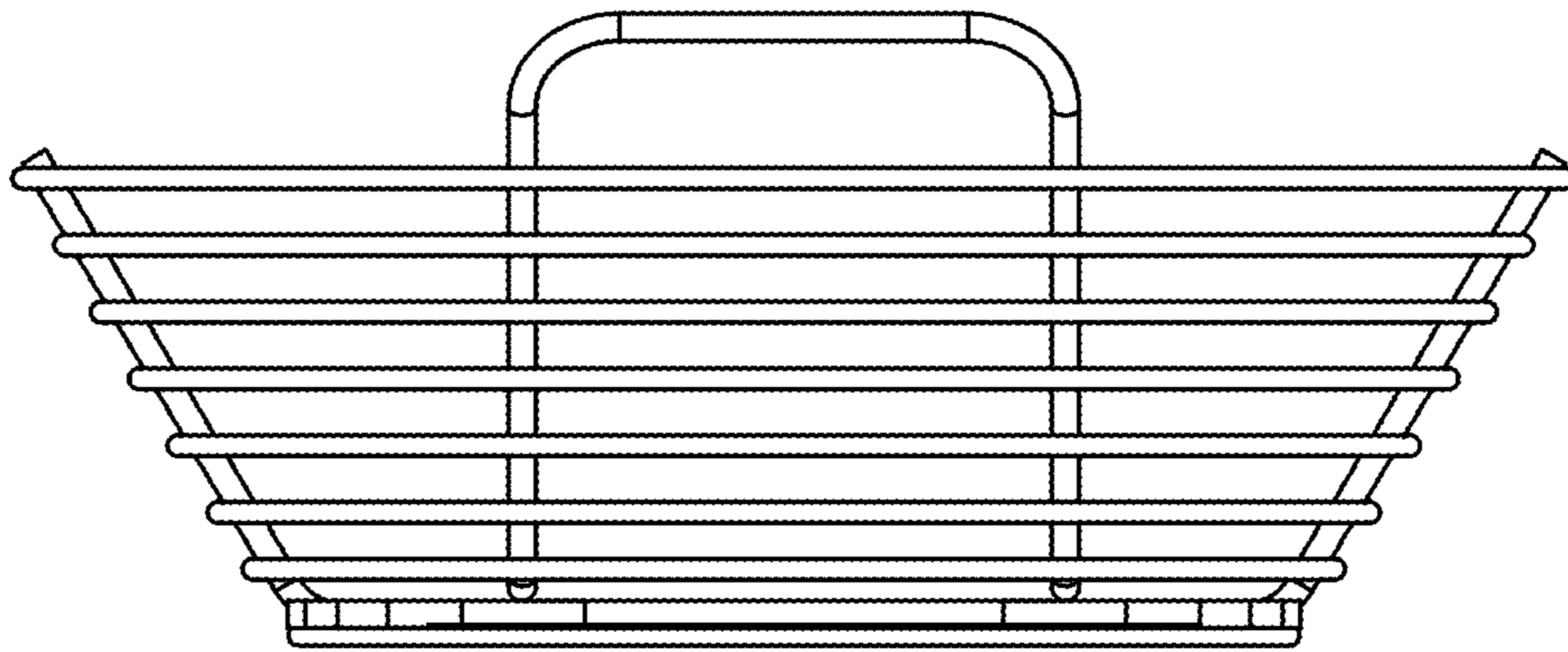


FIG. 2

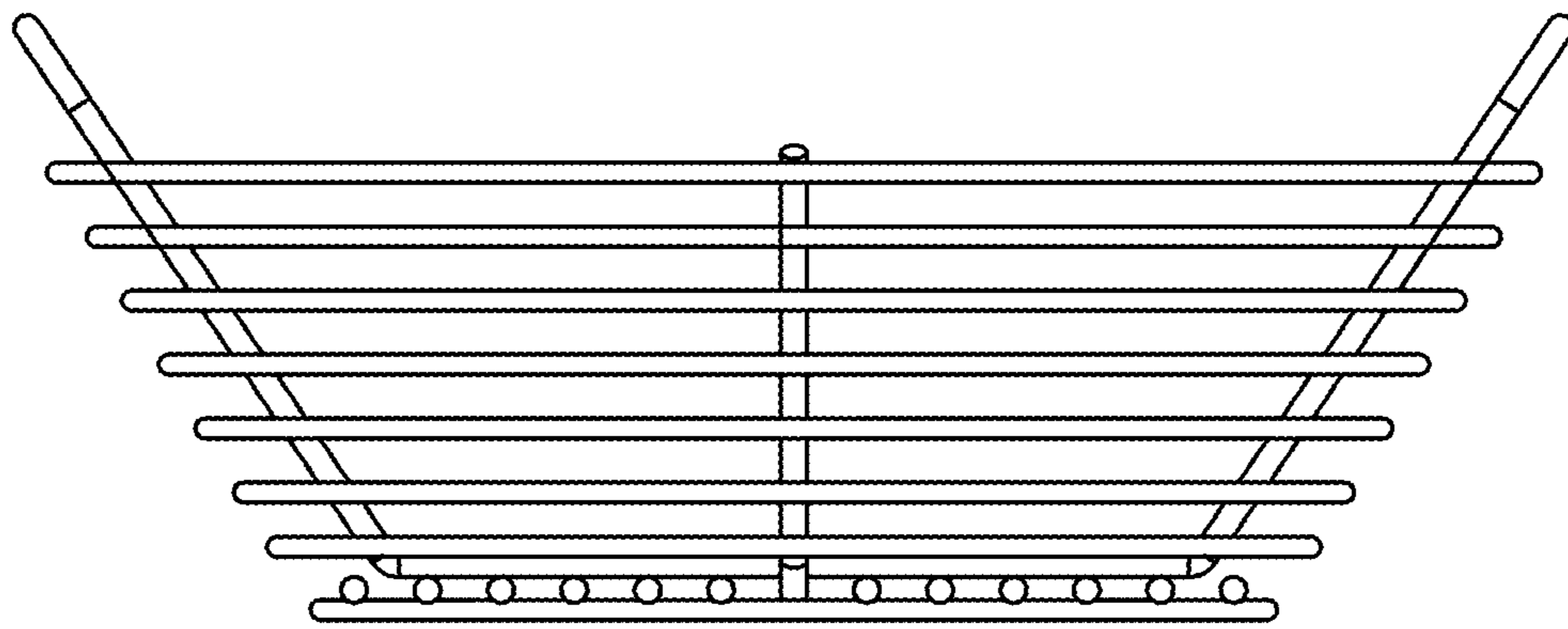


FIG. 3



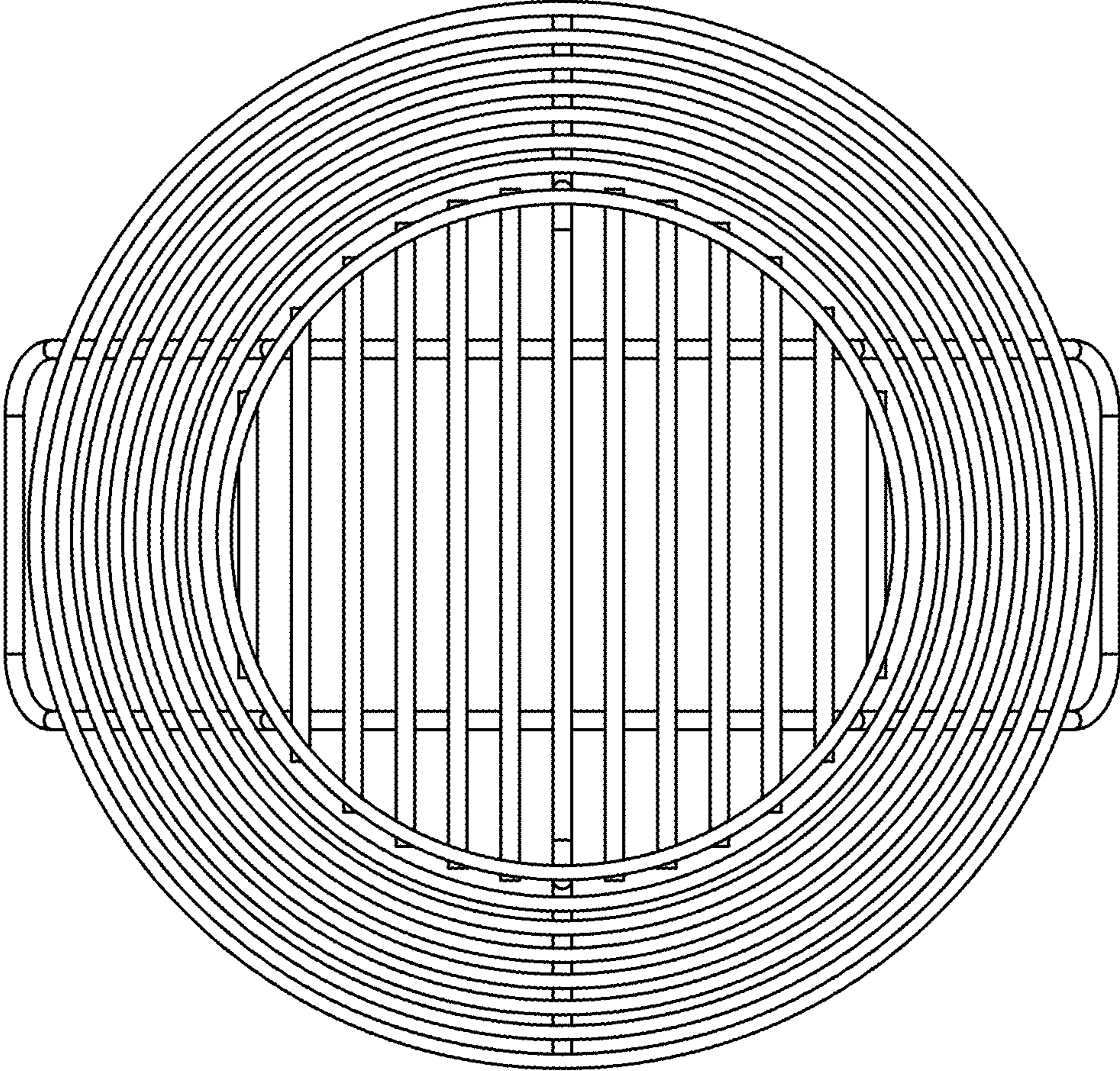


FIG. 4

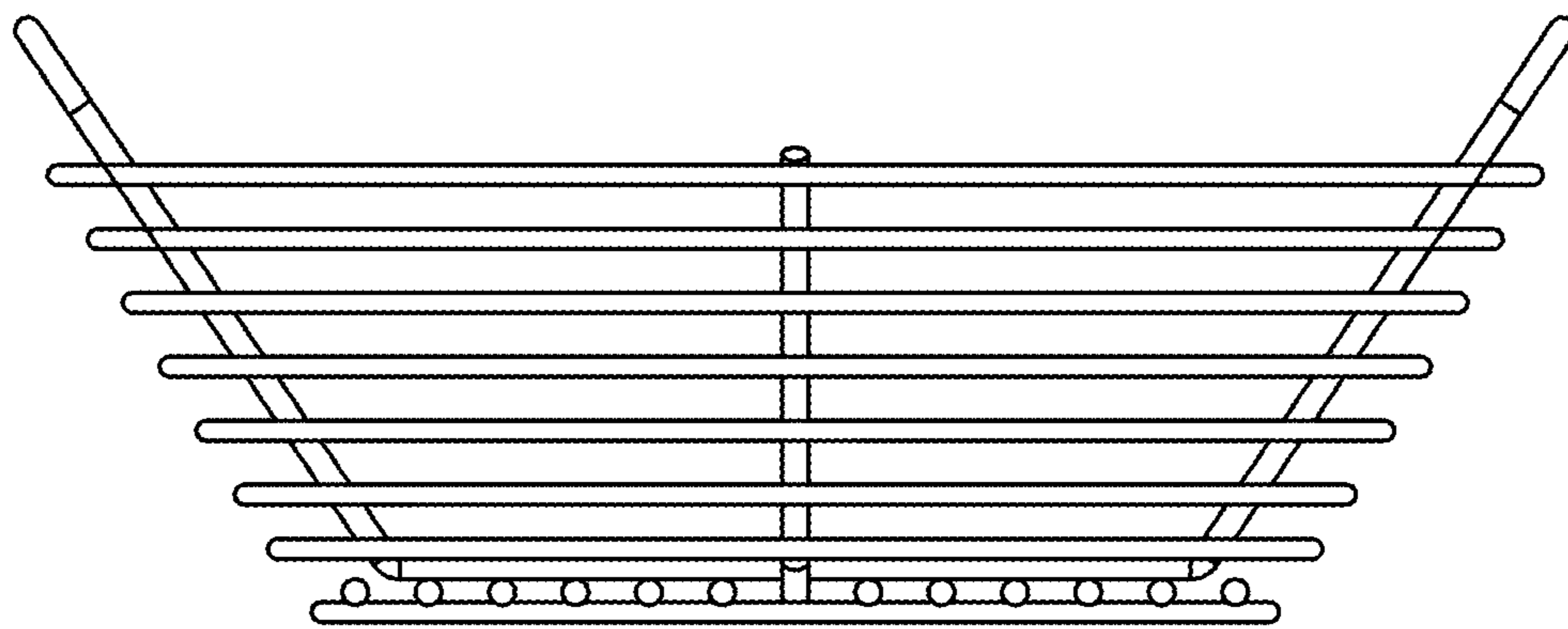


FIG. 5

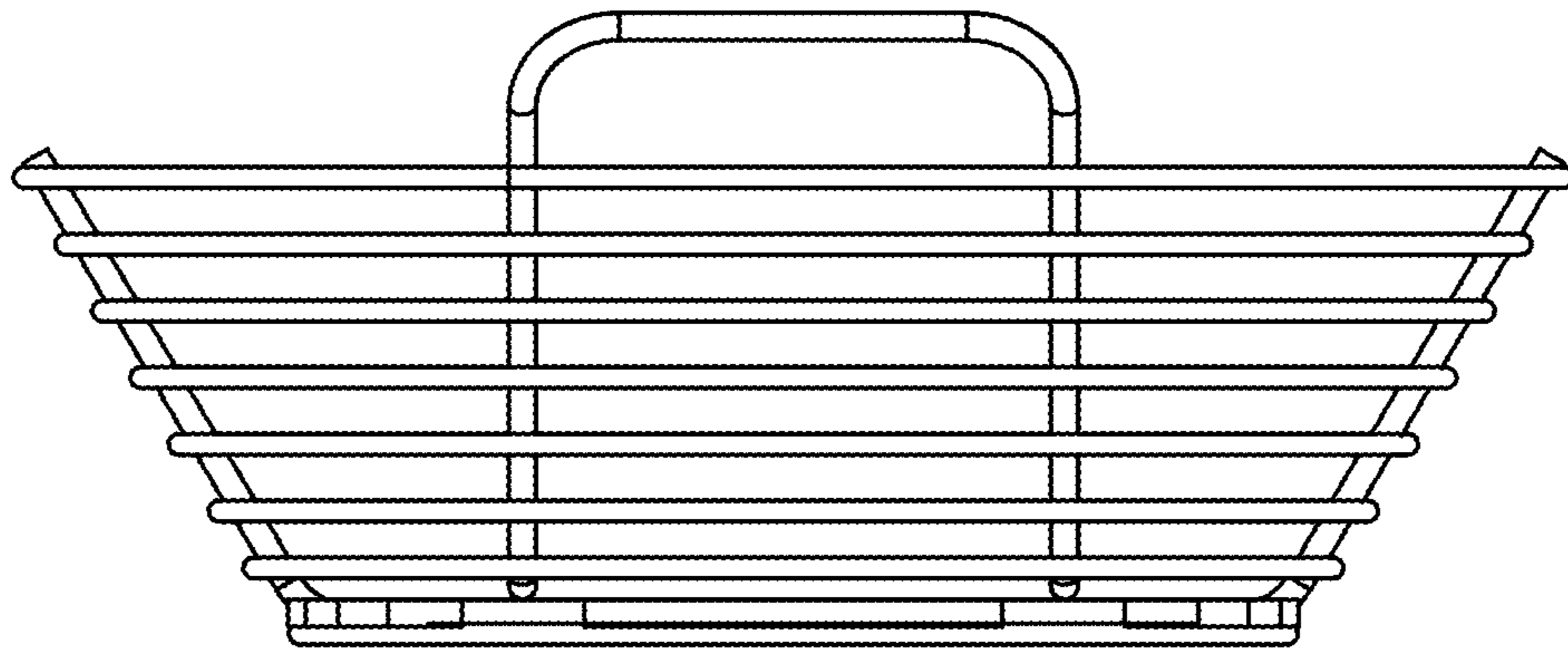


FIG. 6

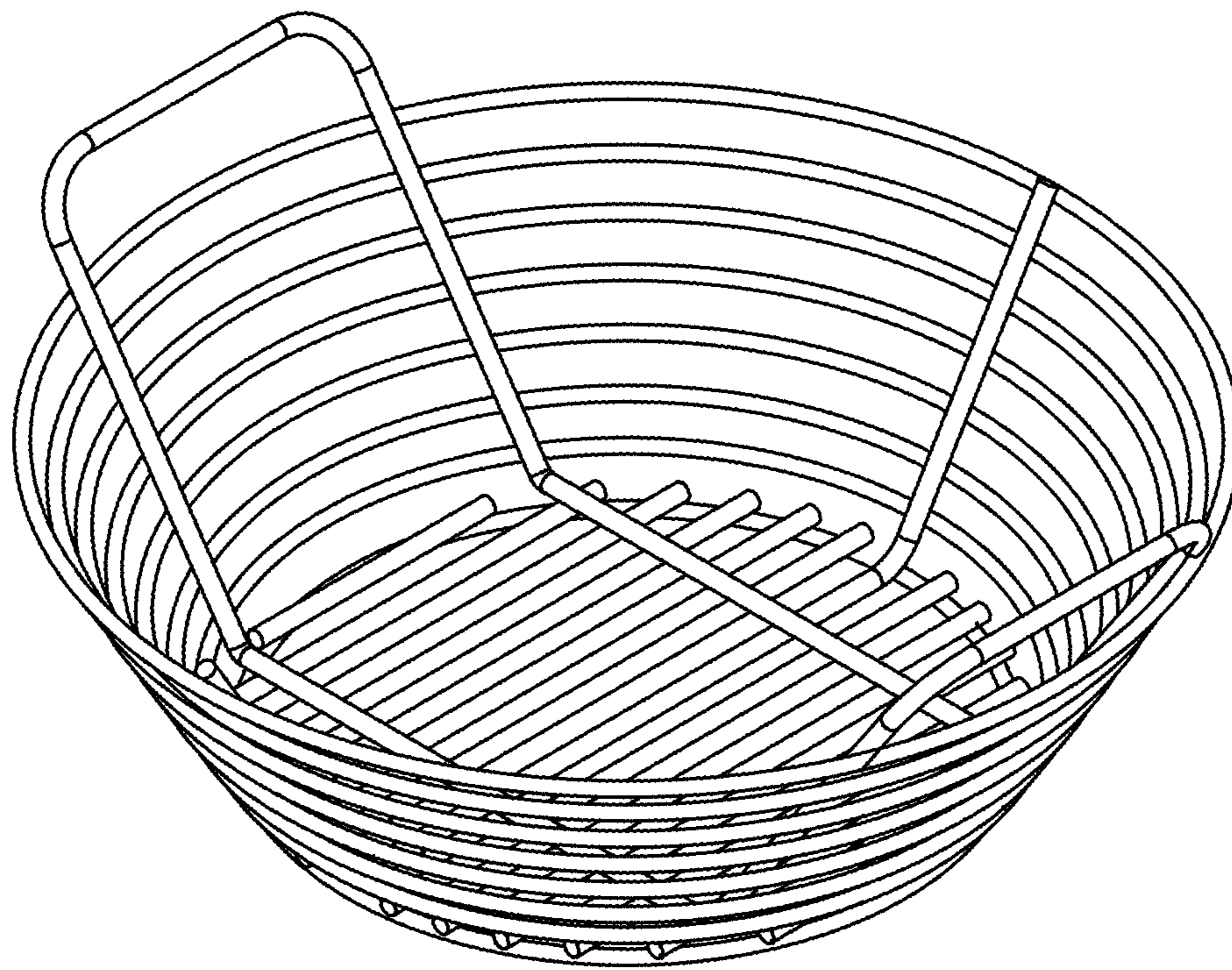


FIG. 7



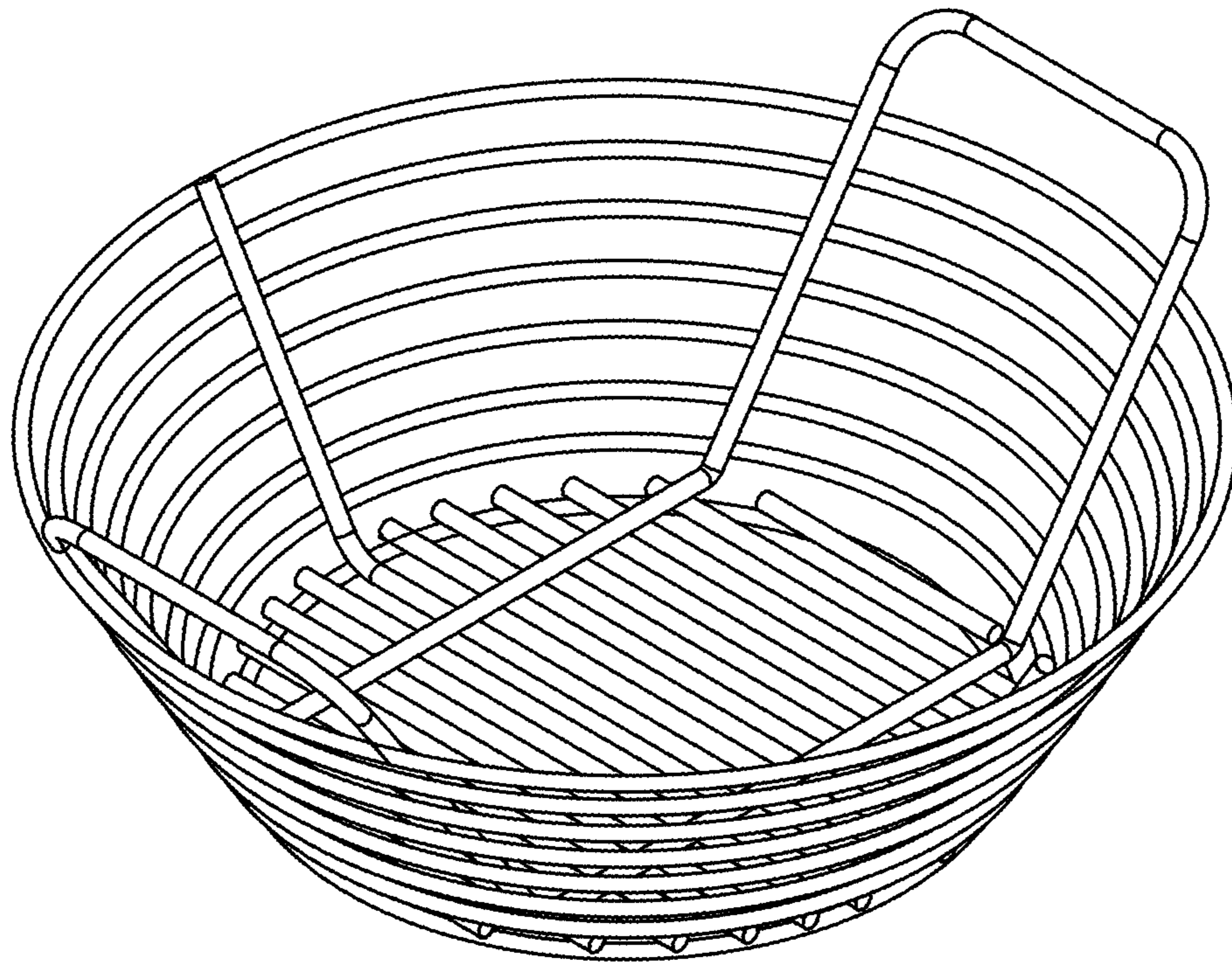


FIG. 8

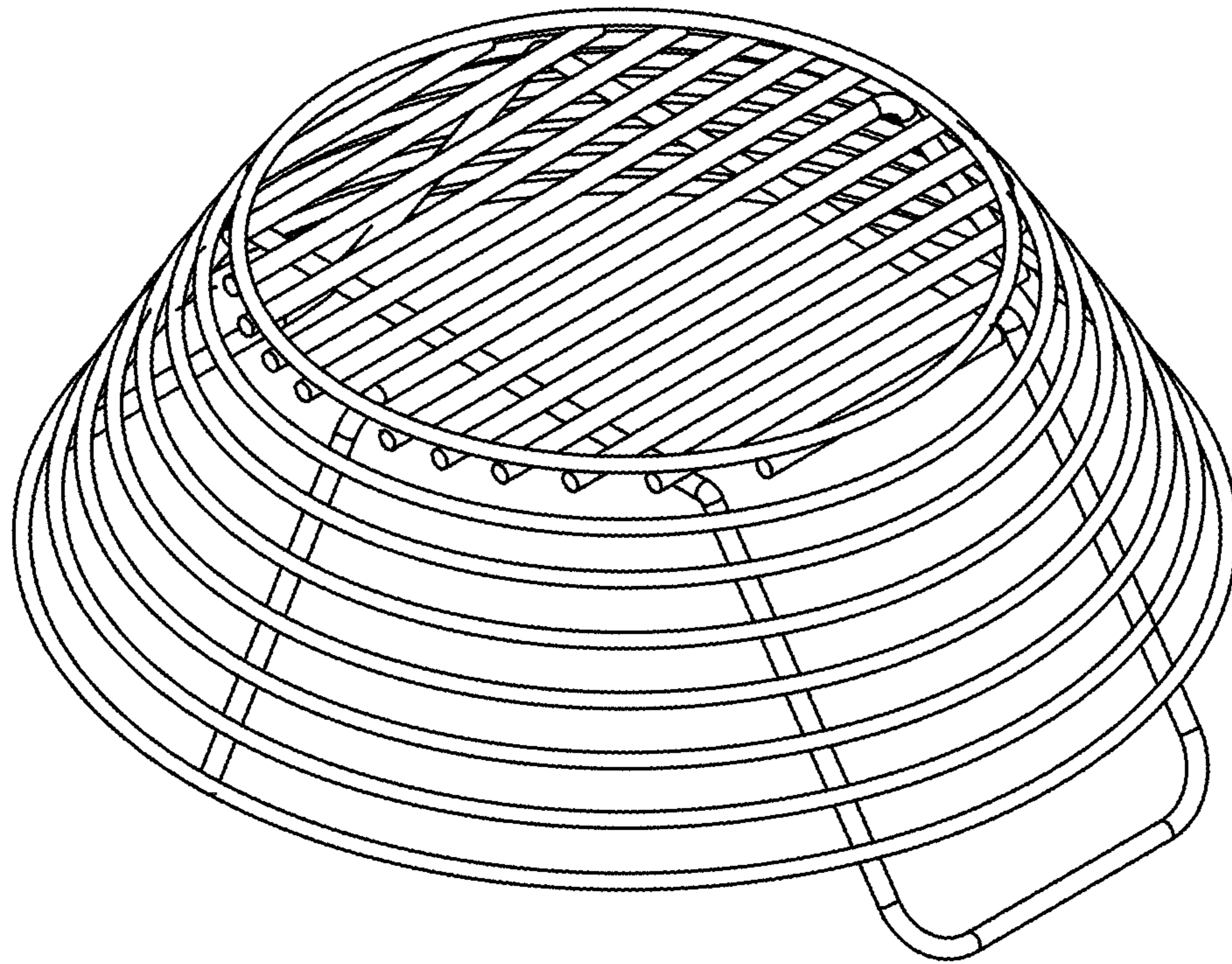


FIG. 9

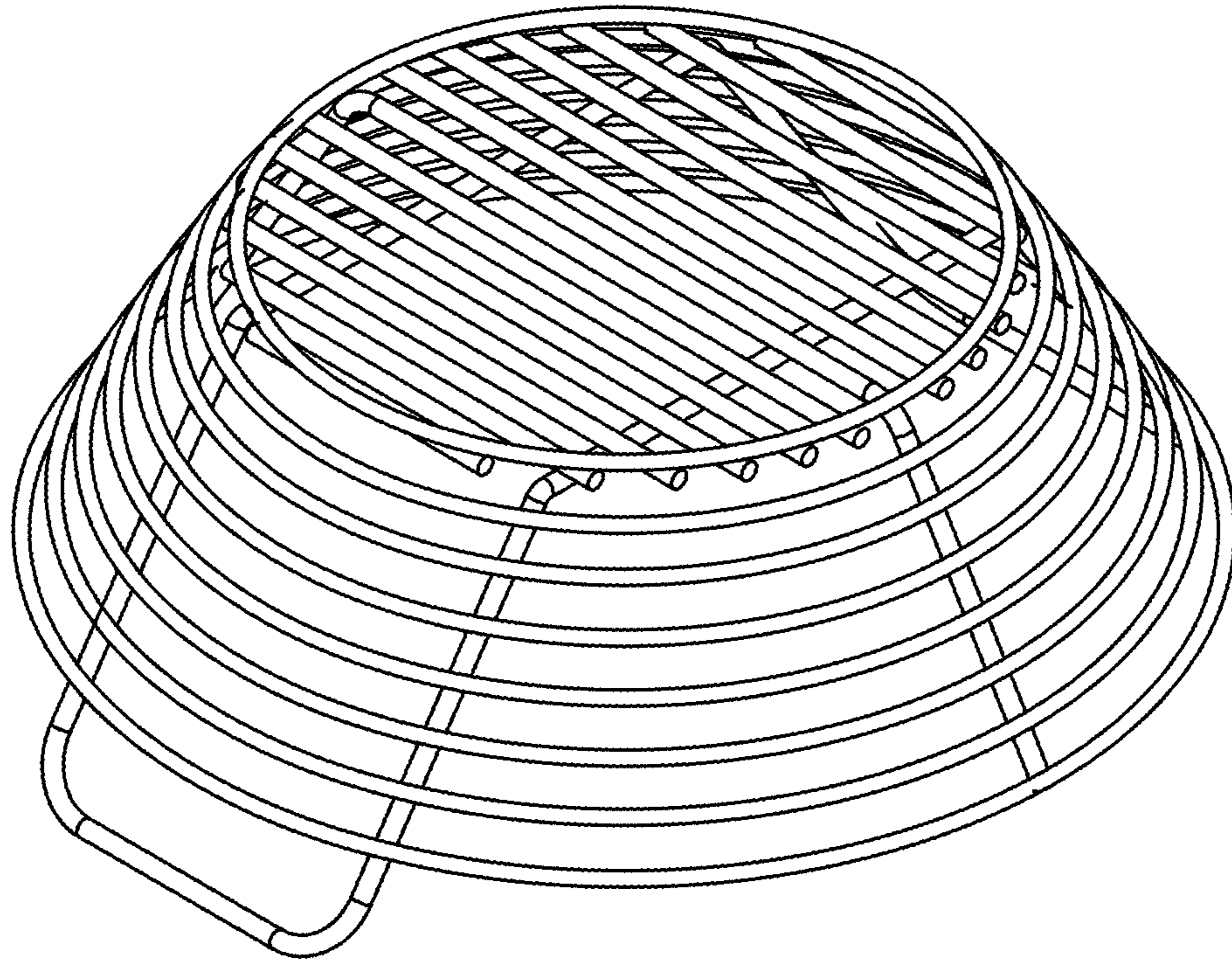


FIG. 10