



US00D810437S

(12) **United States Design Patent** (10) **Patent No.:** **US D810,437 S**
Kiser et al. (45) **Date of Patent:** **** Feb. 20, 2018**

(54) **STORAGE CONTAINER**
(71) Applicant: **Amazon Technologies, Inc.**, Seattle, WA (US)
(72) Inventors: **Wayne Anthony Kiser**, Bellevue, WA (US); **Eric Hess**, Sammamish, WA (US); **Trevis Russell Kurz**, Chicago, IL (US); **Michael Douglas Prince**, Chicago, IL (US); **Bryson Stewart**, Chicago, IL (US)
(73) Assignee: **Amazon Technologies, Inc.**, Seattle, WA (US)
(**) Term: **15 Years**
(21) Appl. No.: **29/564,784**
(22) Filed: **May 16, 2016**
(51) **LOC (11) Cl.** **03-01**
(52) **U.S. Cl.**
USPC **D3/304**
(58) **Field of Classification Search**
USPC D3/203.1, 203.6, 225, 218, 273, 302, D3/304, 314; D30/161; D6/672, 675
CPC B65D 1/22; B65D 2205/02; B25H 3/02; A47G 2400/08
See application file for complete search history.

D699,057 S * 2/2014 Price D6/675
D731,185 S * 6/2015 Hsu D3/304
D731,186 S * 6/2015 Hsu D3/304
D745,781 S * 12/2015 Hsu D3/304
D762,065 S * 7/2016 Hsu D3/304
D766,574 S * 9/2016 Hsu D3/304
D766,628 S * 9/2016 Hegarty D6/683
D773,558 S * 12/2016 Melnick D19/90
D790,856 S * 7/2017 Levy D3/304
D791,481 S * 7/2017 Frank D3/304

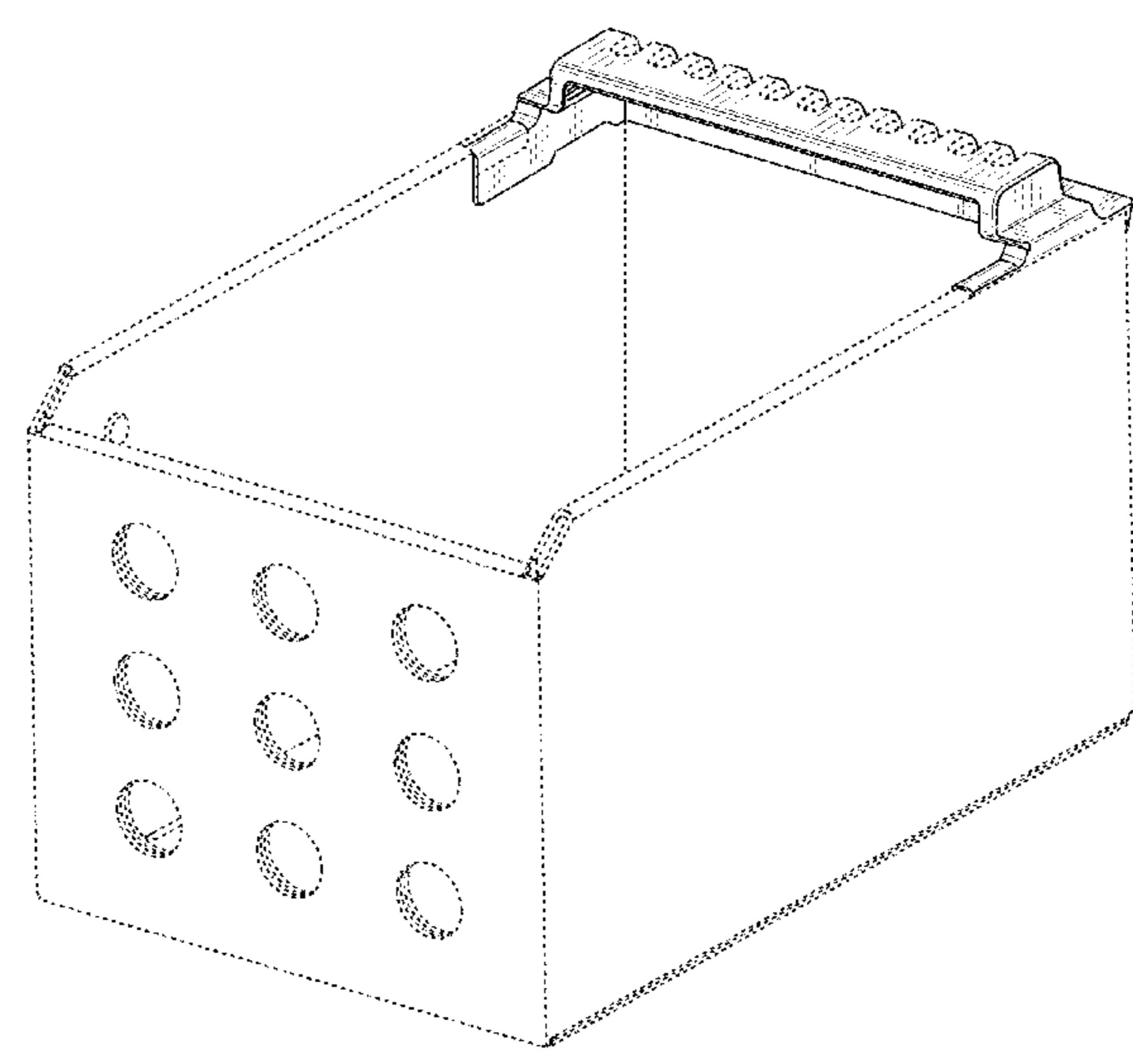
* cited by examiner
Primary Examiner — Kelley Donnelly
(74) *Attorney, Agent, or Firm* — Lee & Hayes, PLLC

(57) **CLAIM**
The ornamental design for a storage container, as shown and described.

DESCRIPTION
FIG. 1 is a first perspective view of a storage container, taken from above;
FIG. 2 is a second perspective view of the storage container, taken from the front;
FIG. 3 is a front view of the storage container as shown in FIG. 1;
FIG. 4 is a back view of the storage container as shown in FIG. 1;
FIG. 5 is a right-side view of the storage container as shown in FIG. 1;
FIG. 6 is a left-side view of the storage container as shown in FIG. 1;
FIG. 7 is a top view of the storage container as shown in FIG. 1; and,
FIG. 8 is a bottom view of the storage container as shown in FIG. 1.
The broken lines showing is included for the purpose of illustrating environment and forms no part of the claimed design.

1 Claim, 8 Drawing Sheets

(56) **References Cited**
U.S. PATENT DOCUMENTS
4,482,522 A * 11/1984 Baudisch B01L 9/06 211/72
D538,539 S * 3/2007 Richardson D3/314
D553,393 S * 10/2007 Cassel D6/675.1
D589,728 S * 4/2009 Shaha D3/304
D634,546 S * 3/2011 Horwitz D3/320
D645,744 S * 9/2011 Liebowitz D9/435
D653,605 S * 2/2012 Stroud D12/425
D657,105 S * 4/2012 Martheenal D34/1



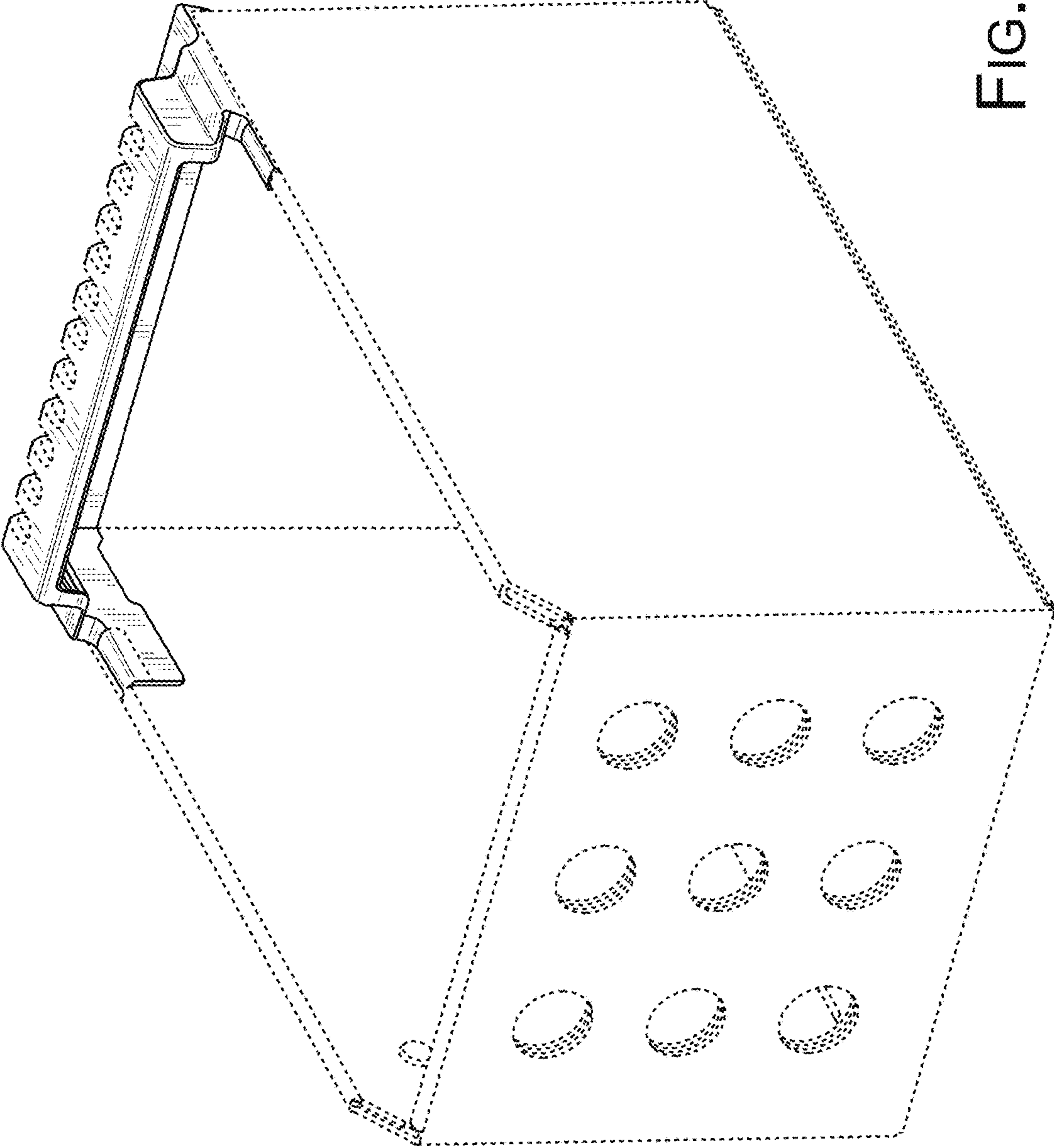


FIG. 1

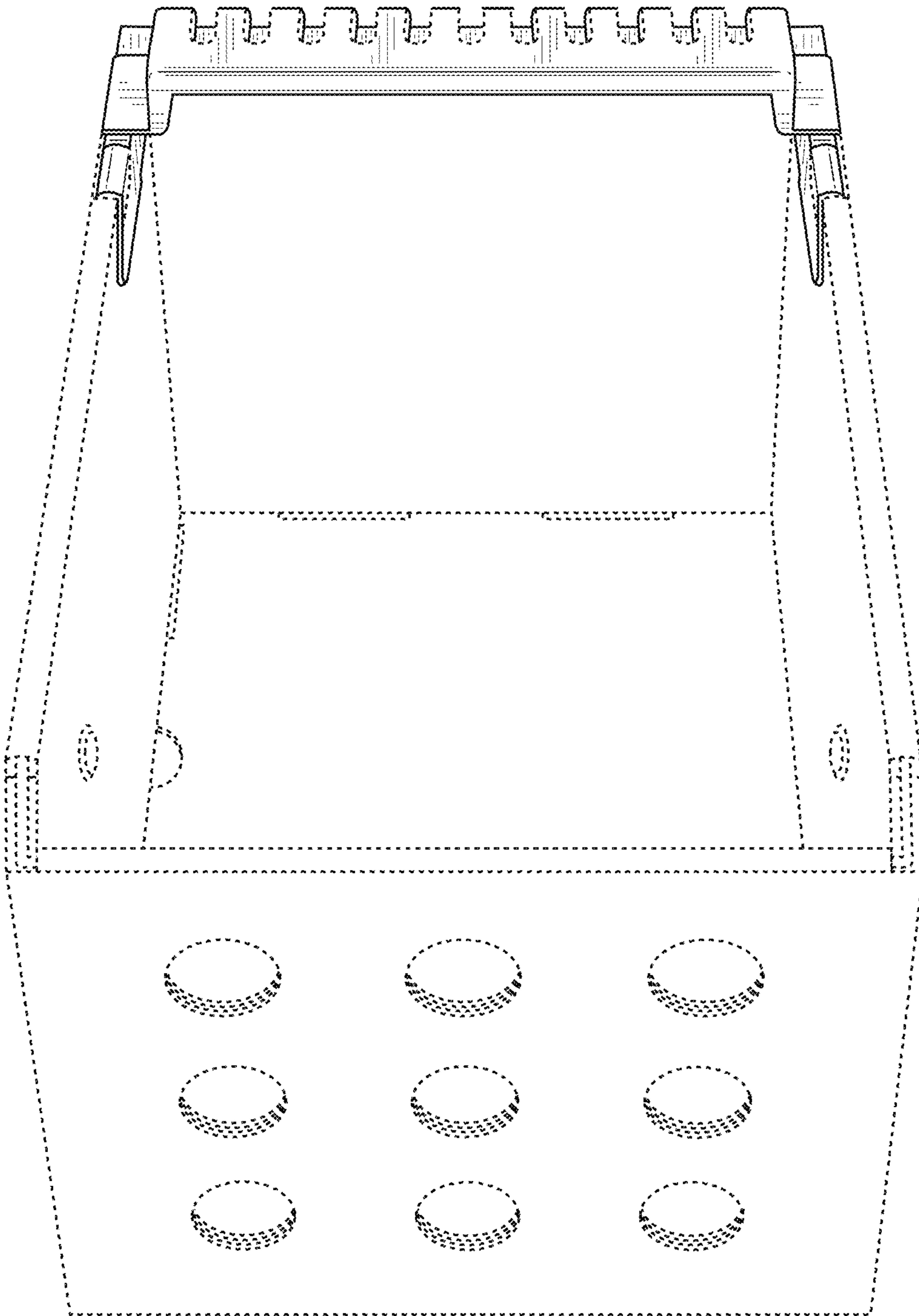


FIG. 2

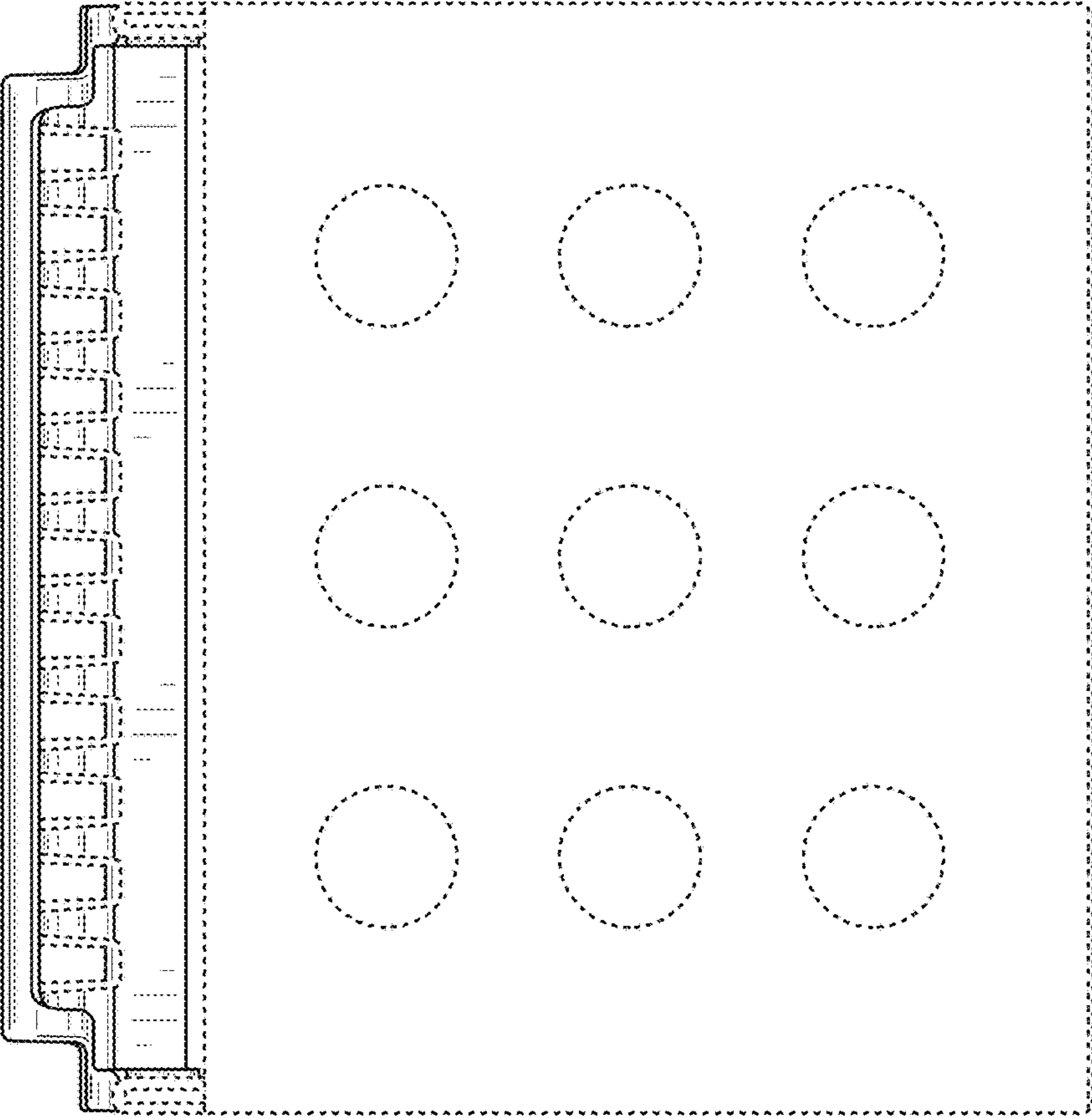


FIG. 3

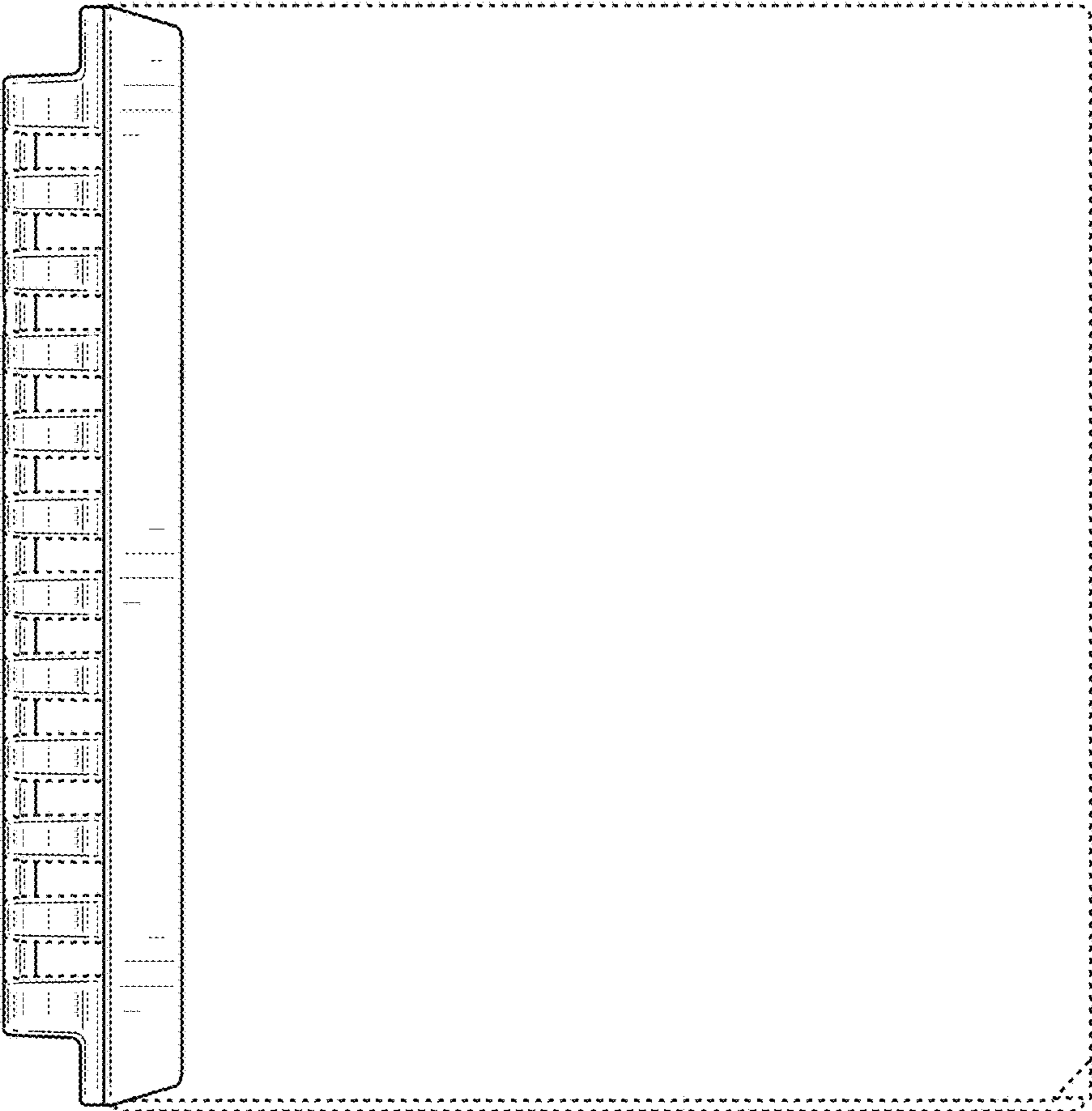


FIG. 4

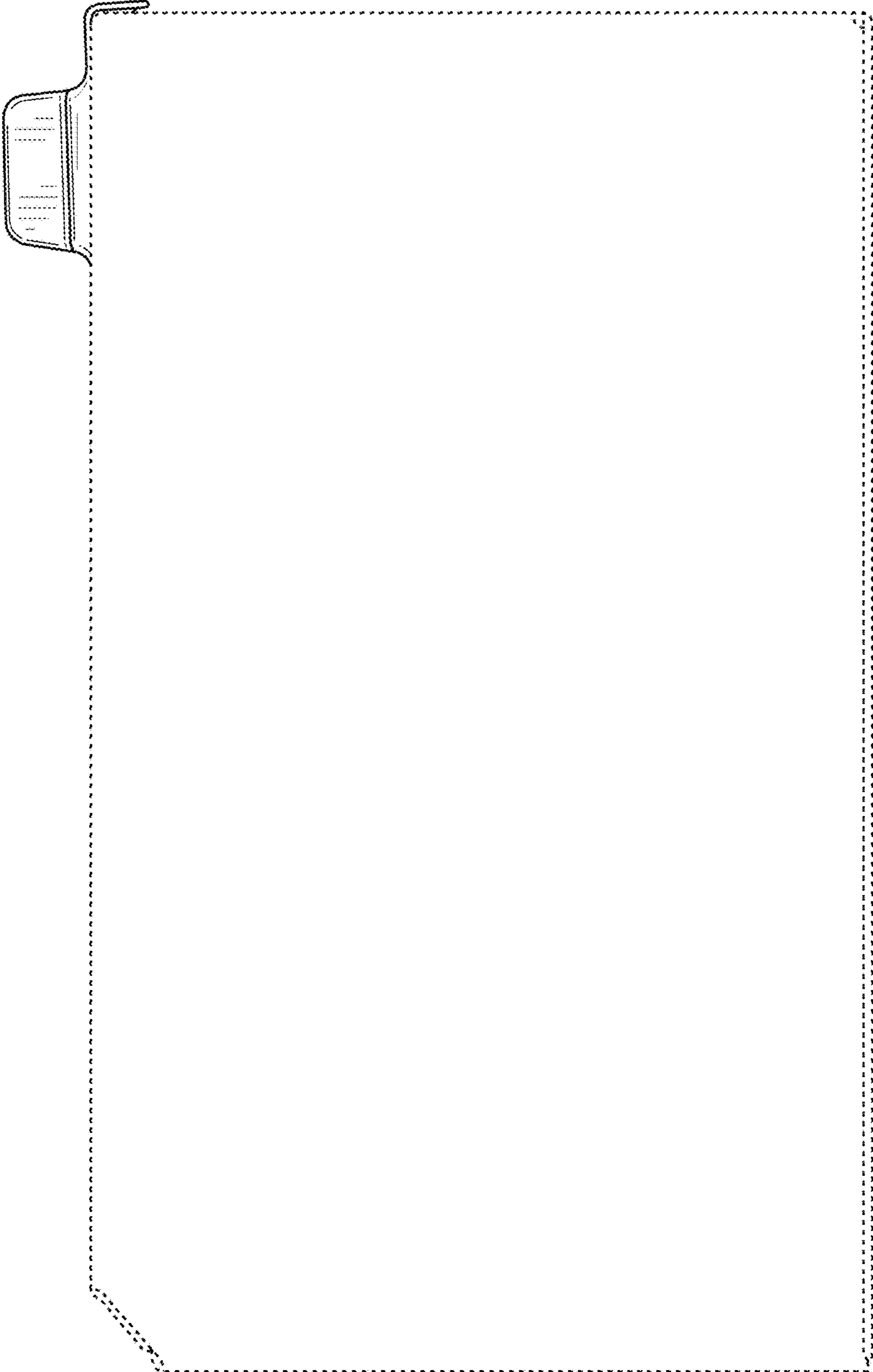


FIG. 5

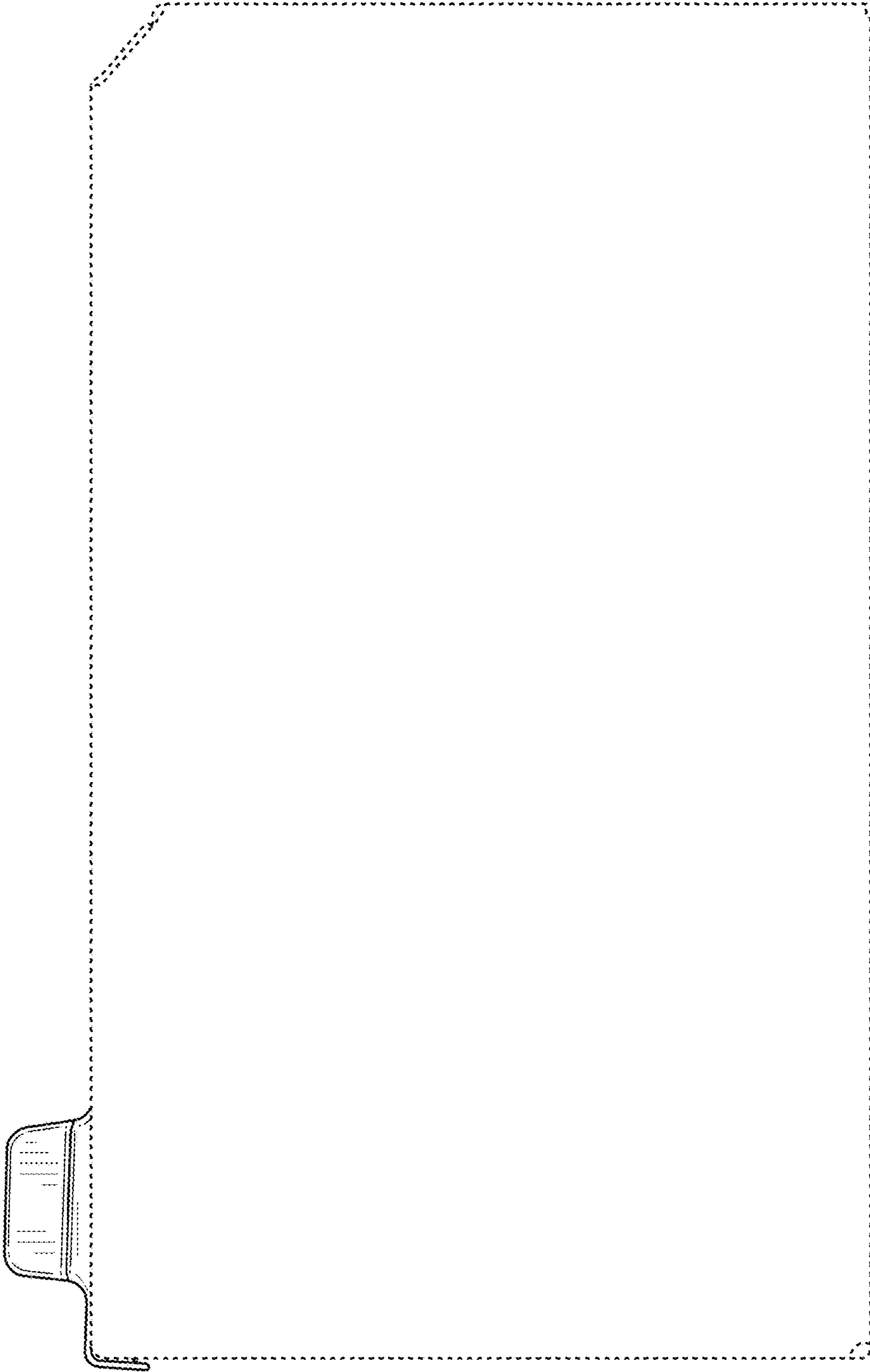


FIG. 6

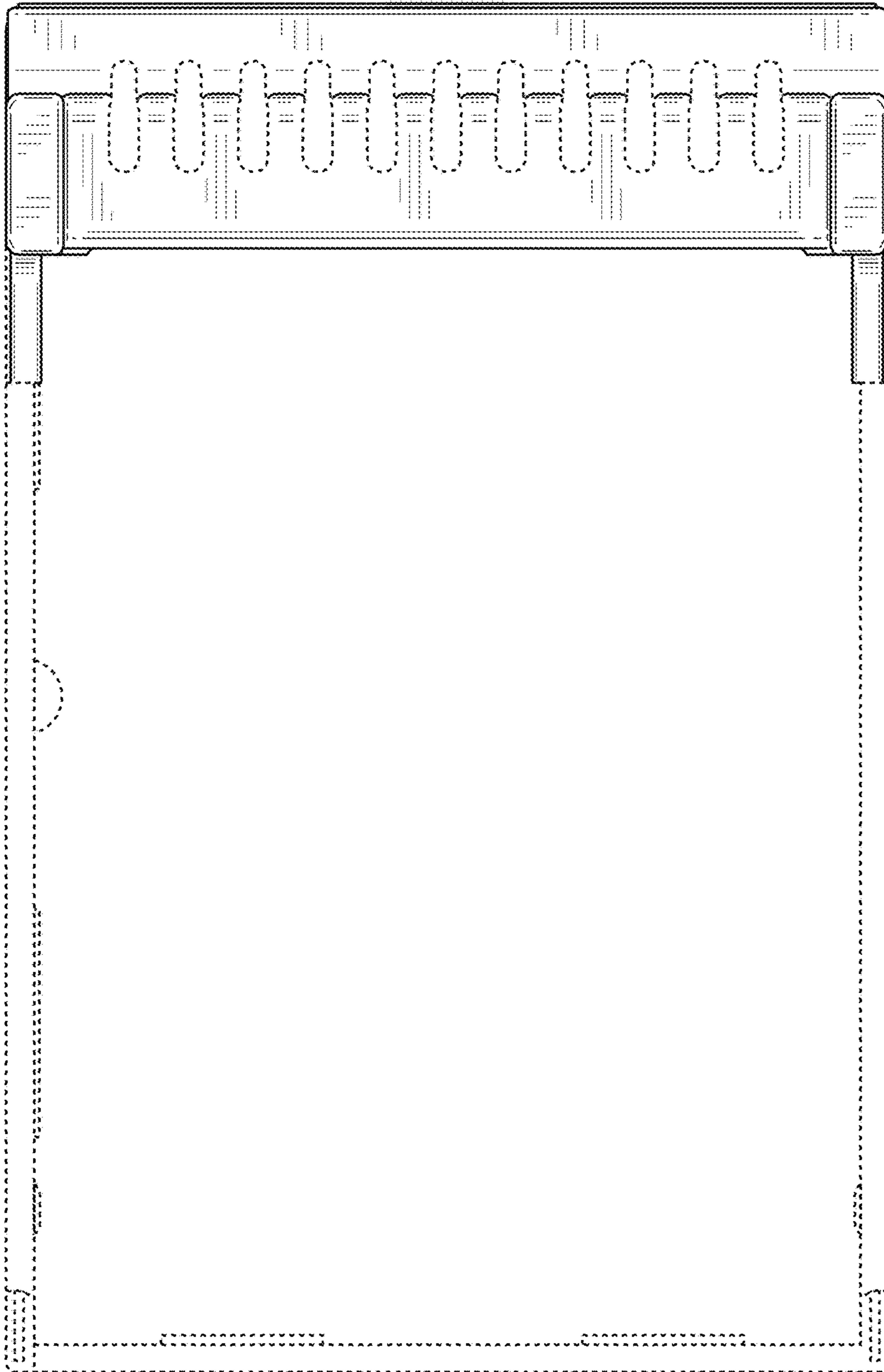


FIG. 7

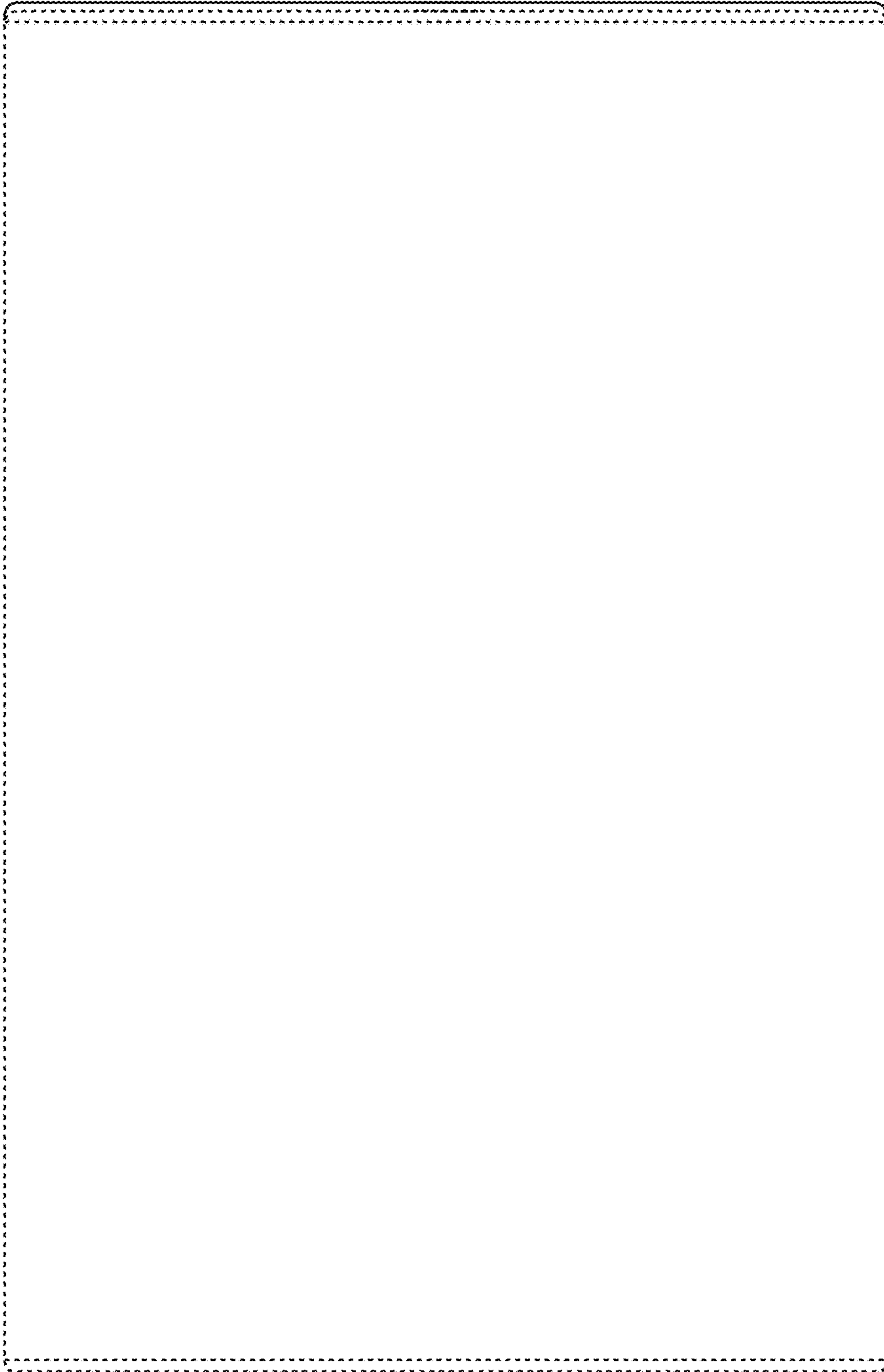


FIG. 8