



US00D810435S

(12) **United States Design Patent** (10) **Patent No.:** **US D810,435 S**
Hoppe et al. (45) **Date of Patent:** **** Feb. 20, 2018**

(54) **BAG**

FOREIGN PATENT DOCUMENTS

(71) Applicant: **Milwaukee Electric Tool Corporation,**
Brookfield, WI (US)

FR 2657915 8/1991

(72) Inventors: **Christopher S. Hoppe,** Milwaukee, WI (US); **Steven W. Hyma,** Milwaukee, WI (US); **Grant T. Squiers,** Cudahy, WI (US); **Michael Stearns,** Milwaukee, WI (US)

OTHER PUBLICATIONS

Homedepot.com. "Milwaukee Parachute Organizer Bag." First reviewed Apr. 25, 2016. Retrieved Dec. 9, 2016. (<http://www.homedepot.com/p/MilwaukeeParachuteOrganizerBag48228170/207005267>).*

(73) Assignee: **MILWAUKEE ELECTRIC TOOL CORPORATION,** Brookfield, WI (US)

(Continued)

(**) Term: **15 Years**

Primary Examiner — Jennifer Rivard
Assistant Examiner — Jerry Hsu

(21) Appl. No.: **29/533,506**

(74) *Attorney, Agent, or Firm* — Michael Best & Friedrich LLP

(22) Filed: **Jul. 17, 2015**

(51) **LOC (11) Cl.** **03-01**

(52) **U.S. Cl.**
USPC **D3/286; D3/904**

(57) **CLAIM**

We claim the ornamental design for a bag, as shown and described.

(58) **Field of Classification Search**

USPC D3/201, 203.1, 203.2, 203.6, 203.7, D3/203.8, 202, 204, 205, 206, 247, 272, D3/273, 276, 281, 282, 292, 294, 315, D3/901, 903, 904, 905, 244, 284, 317; D9/600, 643, 644, 645, 651, 655, 657, D9/420, 423, 424, 425, 430, 431, 432, D9/443, 529, 428, 429; D7/605
CPC B65D 25/04; A47G 23/0208; A47G 23/04; B25H 3/026; A42B 1/006; D06F 95/004; D06F 95/006; A45C 3/00; A45C 3/001; A45C 5/08; A45C 7/0022; A45C 7/0031; A45C 7/0072; A45C 7/0077

DESCRIPTION

See application file for complete search history.

FIG. 1 is a rear perspective view of a bag with the top closed. FIG. 2 is a right side view of the bag shown in FIG. 1. FIG. 3 is a left side view of the bag shown in FIG. 1. FIG. 4 is a rear view of the bag shown in FIG. 1. FIG. 5 is a front view of the bag shown in FIG. 1. FIG. 6 is a top view of the bag shown in FIG. 1. FIG. 7 is a bottom view of the bag shown in FIG. 1. FIG. 8 is a rear perspective view of the bag shown in FIG. 1 with the top open. FIG. 9 is a right side view of the bag as shown in FIG. 8. FIG. 10 is a left side view of the bag as shown in FIG. 8. FIG. 11 is a rear view of the bag as shown in FIG. 8. FIG. 12 is a front view of the bag as shown in FIG. 8. FIG. 13 is a top view of the bag as shown in FIG. 8; and, FIG. 14 is a bottom view of the bag as shown in FIG. 8. The broken lines illustrate portions of the article and form no part of the claimed design.

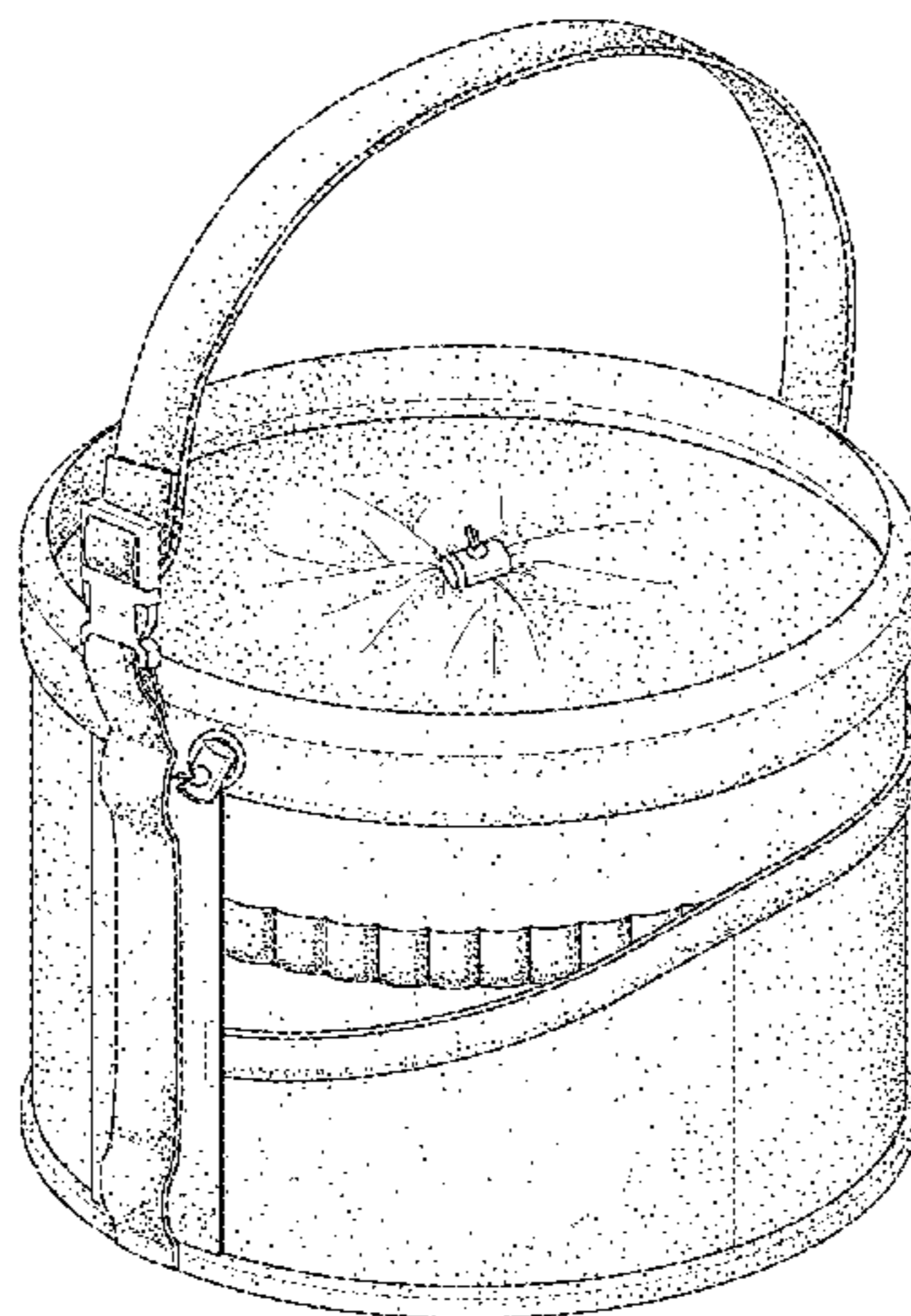
(56) **References Cited**

U.S. PATENT DOCUMENTS

1,681,922 A 8/1928 Boch
2,125,856 A 8/1938 De Witt
2,145,143 A 1/1939 Trecartin

(Continued)

1 Claim, 14 Drawing Sheets



(56)

References Cited

U.S. PATENT DOCUMENTS

D588,811 S 3/2009 Wenchel et al.
 D589,703 S 4/2009 Wenchel et al.
 7,540,364 B2 6/2009 Sanderson
 7,552,560 B2 6/2009 Hoover
 7,552,950 B2 6/2009 Scheffy et al.
 D599,112 S 9/2009 Wenchel et al.
 D600,015 S 9/2009 Wenchel et al.
 D600,912 S 9/2009 Brunner
 D601,797 S 10/2009 Wenchel et al.
 7,600,640 B2 10/2009 Hallee et al.
 D604,047 S 11/2009 Williams
 D605,403 S 12/2009 Santamarina et al.
 D605,817 S * 12/2009 LeCoq D30/129
 D608,094 S 1/2010 Concari et al.
 7,661,530 B1 2/2010 Hewitt
 D616,200 S 5/2010 Riedel et al.
 D618,911 S 7/2010 Brunner
 D624,317 S 9/2010 Wenchel et al.
 D627,968 S 11/2010 Brunner
 7,837,053 B2 11/2010 Arnett et al.
 7,845,653 B2 12/2010 Katz
 7,854,321 B2 12/2010 Twig et al.
 D630,435 S 1/2011 Brunner
 7,874,328 B2 1/2011 Dancyger
 7,883,096 B2 2/2011 Katz et al.
 D635,769 S 4/2011 Sosnovsky
 D636,996 S 5/2011 Kokawa et al.
 D637,812 S 5/2011 Horiyama et al.
 7,938,412 B2 5/2011 Katz
 D641,552 S 7/2011 Sosnovsky
 7,984,820 B2 7/2011 Dancyger
 D647,301 S 10/2011 Sosnovsky
 D648,532 S 11/2011 Sosnovsky
 D648,533 S 11/2011 Sosnovsky
 D649,350 S 11/2011 Shitrit
 8,056,943 B2 11/2011 Scheffy et al.
 8,061,536 B2 11/2011 Lin et al.
 D649,783 S 12/2011 Brunner
 8,152,037 B2 4/2012 Sabbag
 D661,903 S 6/2012 Kokawa et al.
 8,191,910 B2 6/2012 Landau et al.
 8,210,387 B2 7/2012 Twig et al.
 8,251,269 B2 8/2012 Winneur
 8,267,245 B2 9/2012 Kotula et al.
 8,267,247 B1 9/2012 Horiyama
 8,272,628 B2 9/2012 Winnard
 D668,867 S 10/2012 Yamamot
 D668,868 S 10/2012 Lehovetzki
 D668,869 S 10/2012 Yamamoto et al.
 D670,500 S 11/2012 Sosnovsky
 8,327,576 B2 12/2012 Sellers
 8,328,247 B2 12/2012 Tonelli
 D673,774 S 1/2013 Neuhaus et al.
 8,376,177 B2 2/2013 Castner et al.
 8,434,617 B1 5/2013 Wang
 8,469,195 B2 6/2013 Gosselink et al.
 8,505,729 B2 8/2013 Sosnovsky et al.
 8,640,506 B1 * 2/2014 Grear D06F 95/006
 D756,653 S * 5/2016 Rodriguez 383/117
 D773,253 S * 12/2016 Boroski D3/317
 2002/0003098 A1 1/2002 Bell
 2002/0014507 A1 2/2002 Snider et al.
 2002/0043534 A1 4/2002 Uke
 2002/0074332 A1 6/2002 Sagol

2002/0130151 A1 9/2002 Godshaw et al.
 2003/0075468 A1 4/2003 Story et al.
 2004/0112777 A1 6/2004 Huang
 2005/0084182 A1 * 4/2005 Penson D06F 95/004
 383/38
 2005/0109650 A1 5/2005 Huang
 2005/0211586 A1 9/2005 Fierek
 2005/0249439 A1 11/2005 Penson
 2006/0017293 A1 1/2006 Tonelli
 2006/0144732 A1 7/2006 Kaplan et al.
 2006/0201834 A1 9/2006 Lutz
 2007/0137960 A1 6/2007 Redzisz
 2007/0241113 A1 10/2007 Williams
 2007/0241145 A1 * 10/2007 Williams A45C 7/0077
 224/148.7
 2008/0017537 A1 1/2008 Inskeep et al.
 2008/0035508 A1 2/2008 Streich et al.
 2008/0035510 A1 2/2008 Brunson
 2008/0067206 A1 3/2008 Kuhn
 2008/0152944 A1 6/2008 Bonini et al.
 2008/0164842 A1 7/2008 Bergner
 2008/0169739 A1 7/2008 Goldenberg
 2008/0230416 A1 9/2008 Brouard
 2009/0080809 A1 3/2009 Pham et al.
 2009/0211932 A1 8/2009 Schmitt et al.
 2009/0250365 A1 10/2009 Goto et al.
 2010/0012538 A1 1/2010 Brunner
 2010/0012655 A1 1/2010 Dathy
 2010/0033325 A1 2/2010 Vilkomirski et al.
 2010/0224527 A1 9/2010 Huang
 2010/0258465 A1 10/2010 Gomas
 2011/0084075 A1 4/2011 Arnett et al.
 2011/0094910 A1 4/2011 Fleury et al.
 2011/0132046 A1 6/2011 Tonelli
 2011/0174648 A1 7/2011 Huang et al.
 2011/0268374 A1 11/2011 Hotta et al.
 2012/0018330 A1 1/2012 Kato et al.
 2012/0152944 A1 6/2012 Vilkomirski et al.
 2012/0206907 A1 8/2012 Seidel
 2012/0257379 A1 10/2012 Herr et al.
 2012/0267374 A1 10/2012 Kotula et al.
 2012/0292213 A1 11/2012 Brunner
 2012/0312708 A1 12/2012 Roehm et al.
 2012/0317933 A1 12/2012 Crull
 2012/0318792 A1 12/2012 Larson et al.
 2012/0326406 A1 12/2012 Lifshitz et al.
 2012/0326669 A1 12/2012 Horiyama et al.
 2013/0037559 A1 2/2013 Fierek
 2013/0186795 A1 7/2013 Borrelli
 2014/0217095 A1 8/2014 Scivoletto

OTHER PUBLICATIONS

Amazon.com. "Tactical Molle Belt Dump Pouch Military Drawing Drop Leg Bag." First reviewed Sep. 29, 2016. Retrieved Jan. 3, 2017. (https://www.amazon.com/TacticalMilitaryDrawstringFoldableWoodland/dp/B01LC1A9LA/ref=sr_1_25?ie=UTF8&qid=1483482513&sr=825&keywords=hiking+leg+bag).*
 SKB cases, I Series Indestructible Catalog (2010) 16 pages.
 Barska, "Barska Loaded Gear HD-400 Watertight Dry Box" website available as early as Mar. 13, 2013.
 JR Shooting Sports, "Genuine Browning Shooting Accessories Utility Cases" website available as early as Aug. 20, 2003.

* cited by examiner

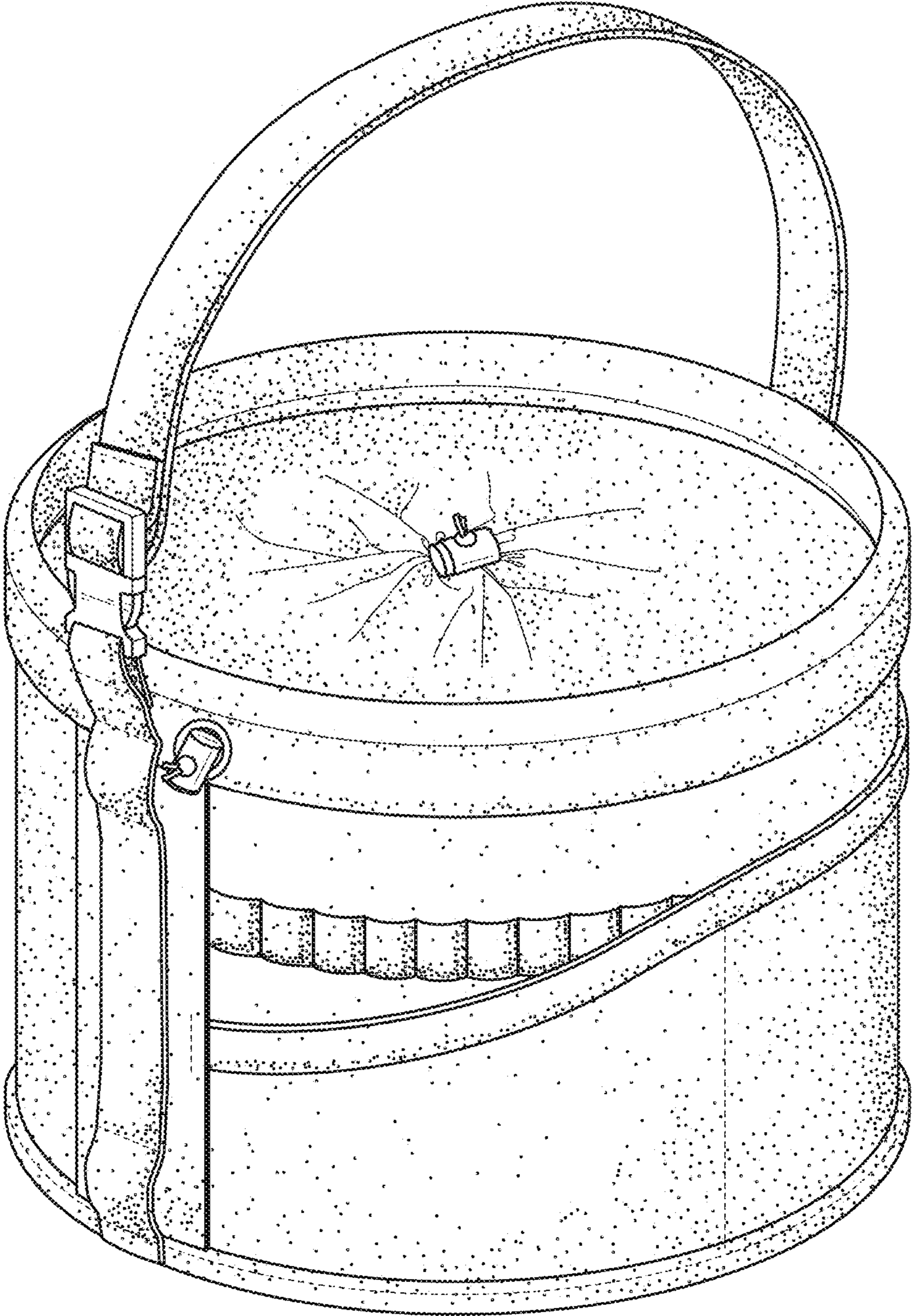


FIG. 1

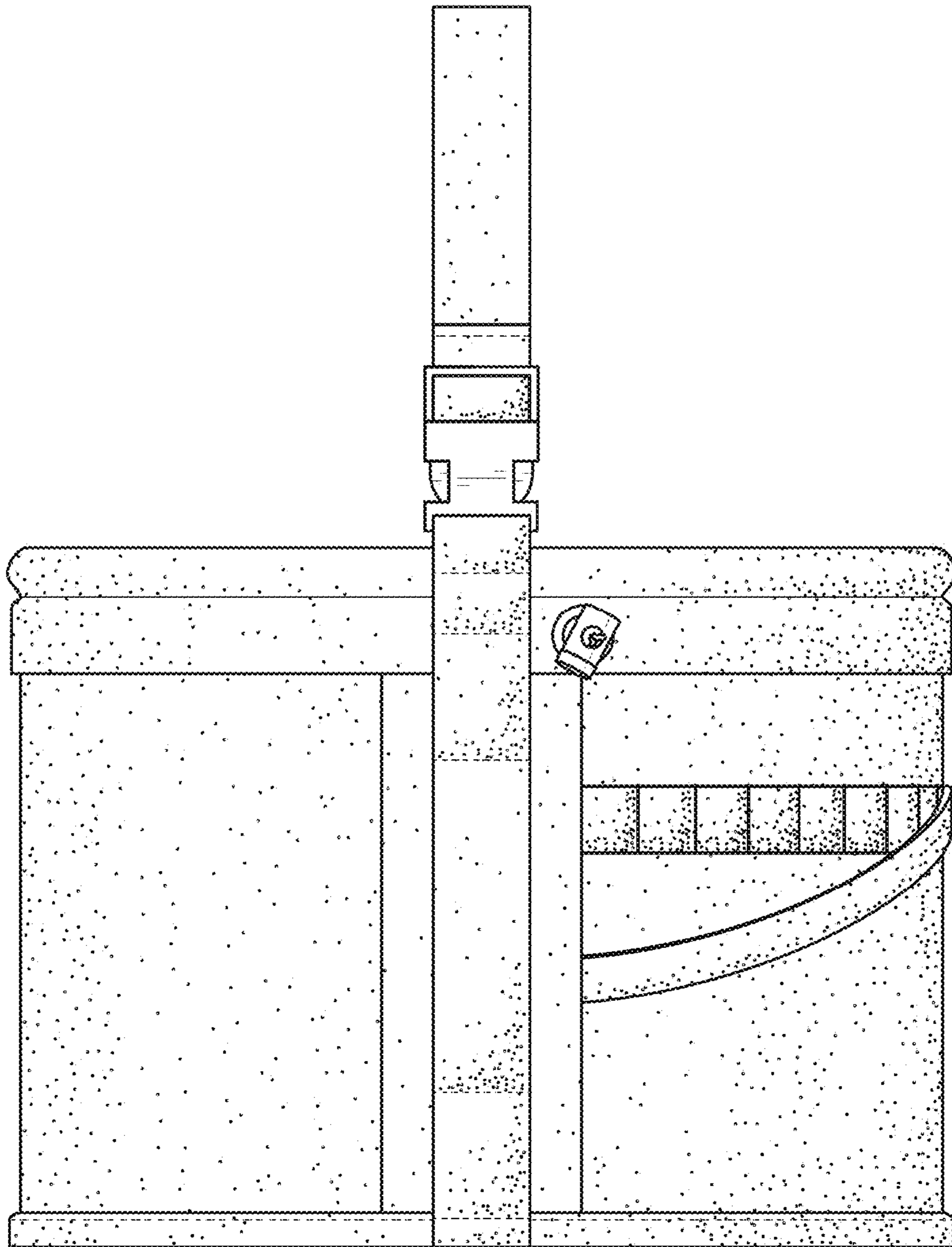


FIG. 2

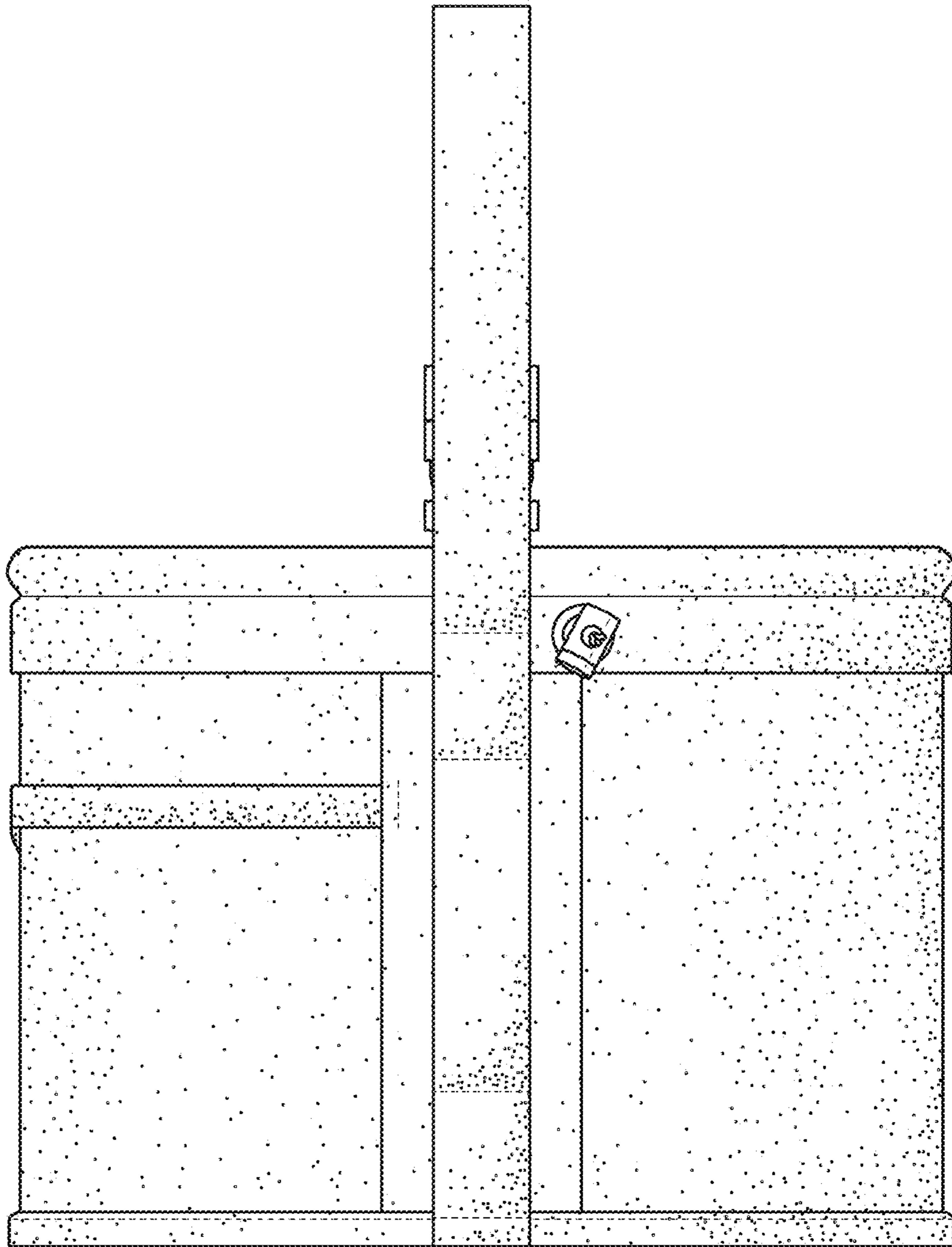


FIG. 3

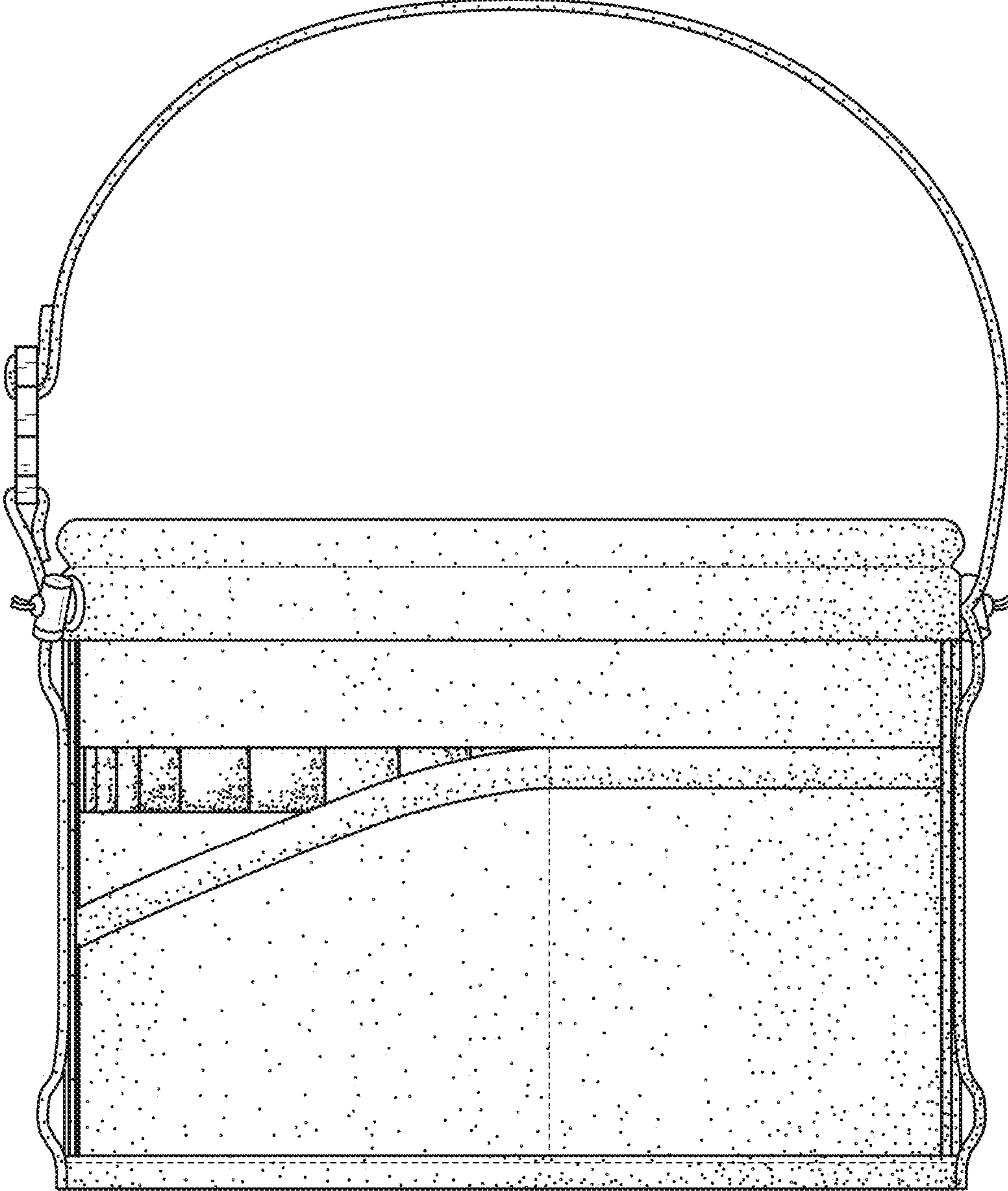


FIG. 4

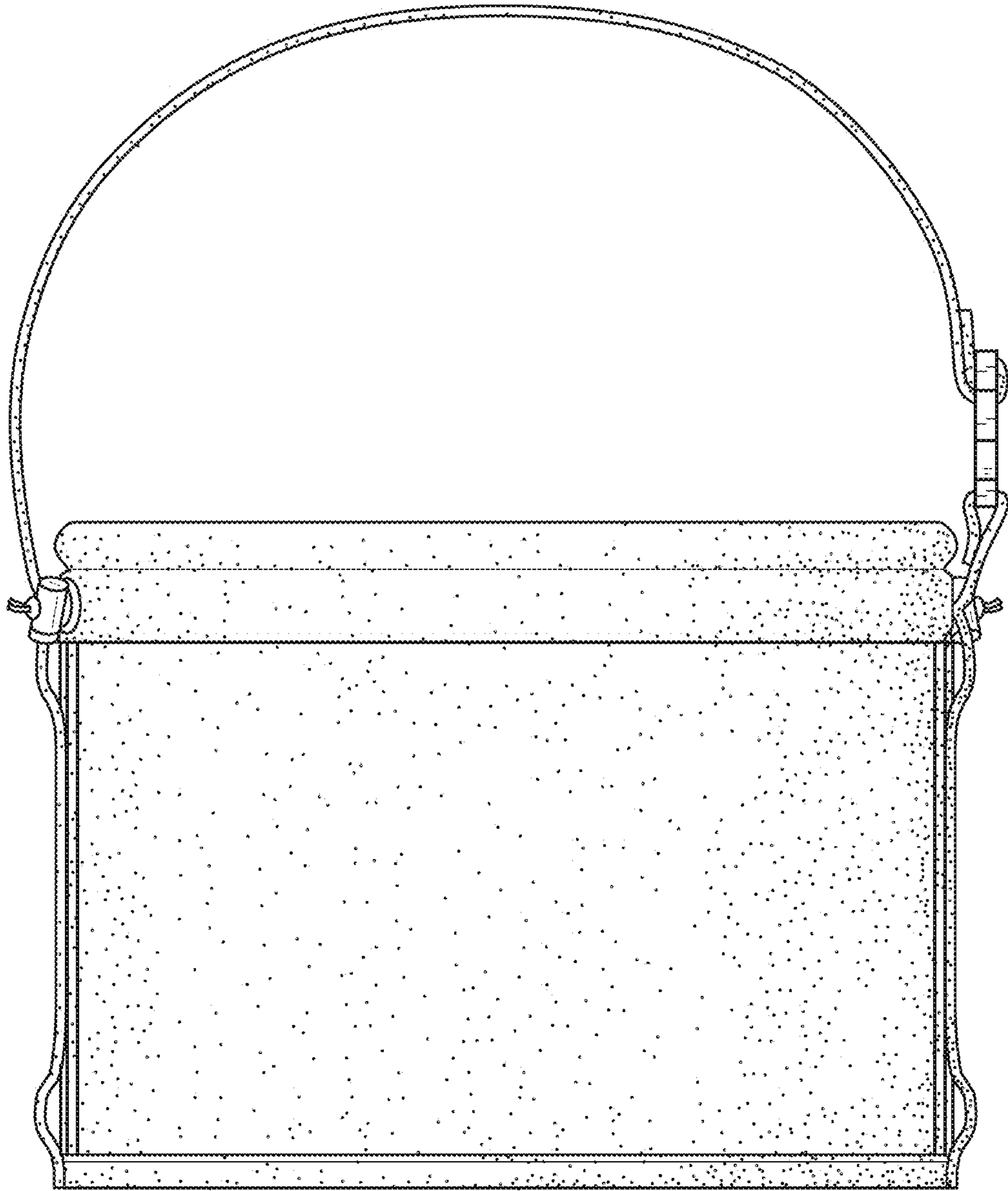


FIG. 5

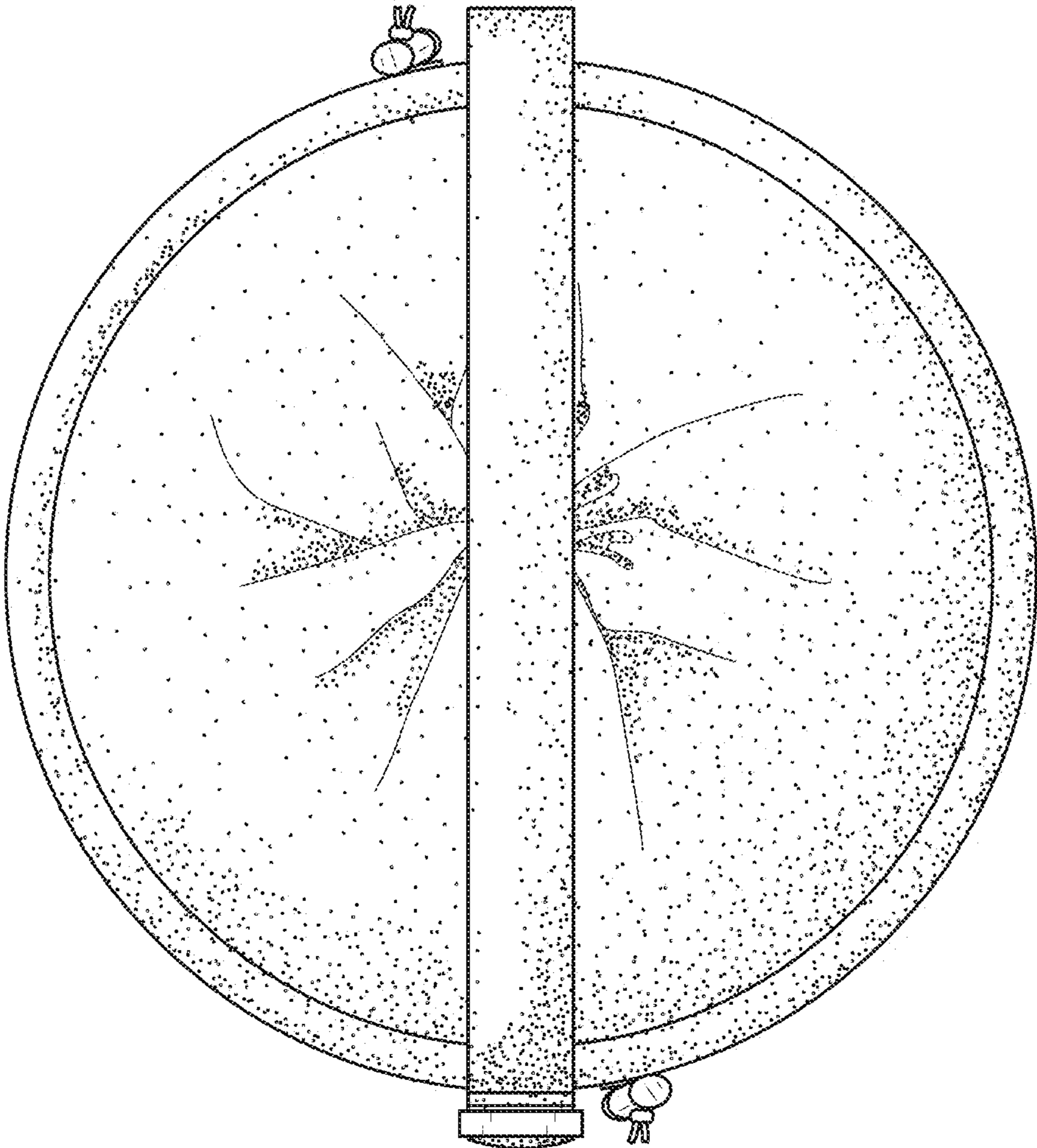


FIG. 6

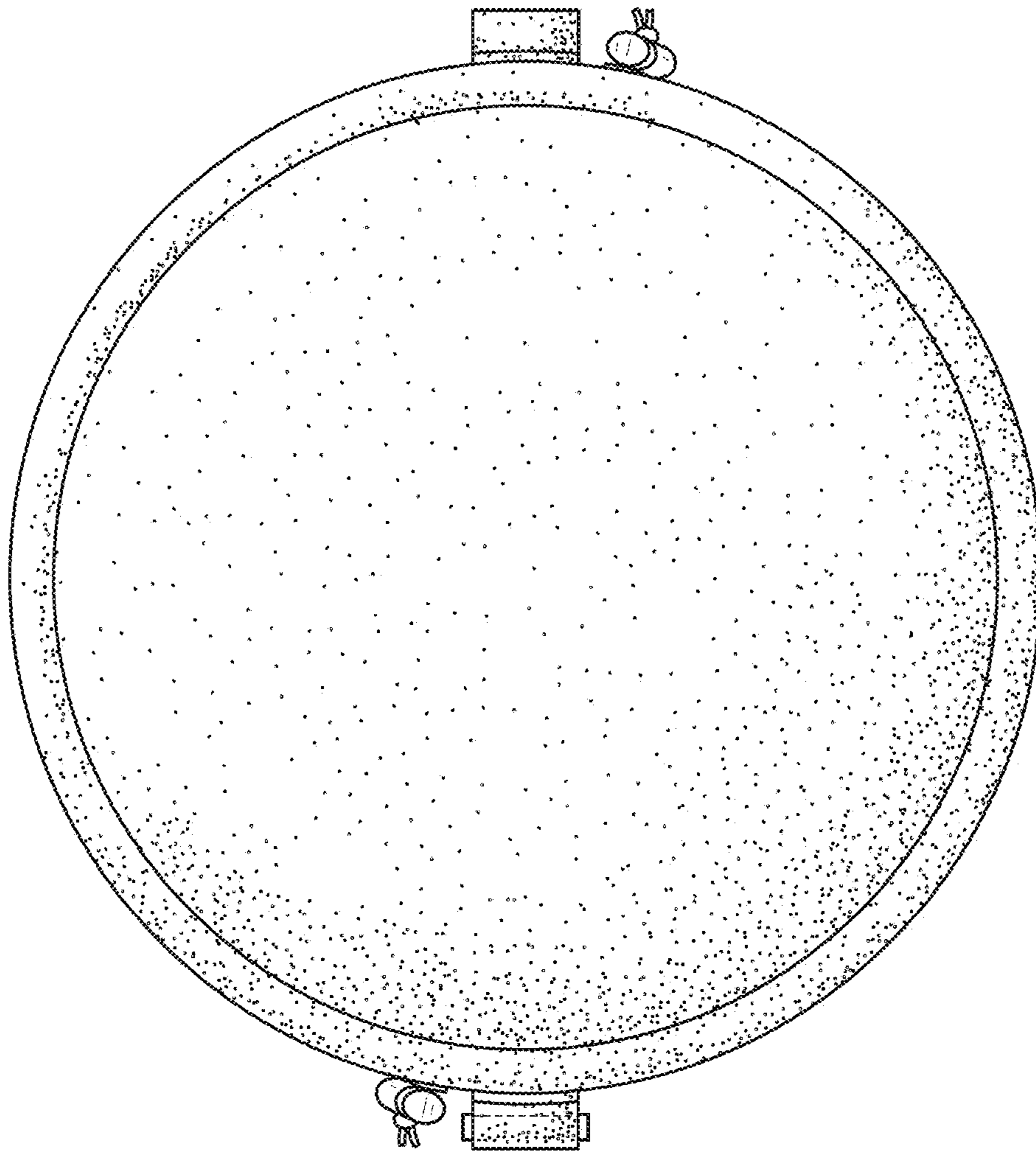


FIG. 7

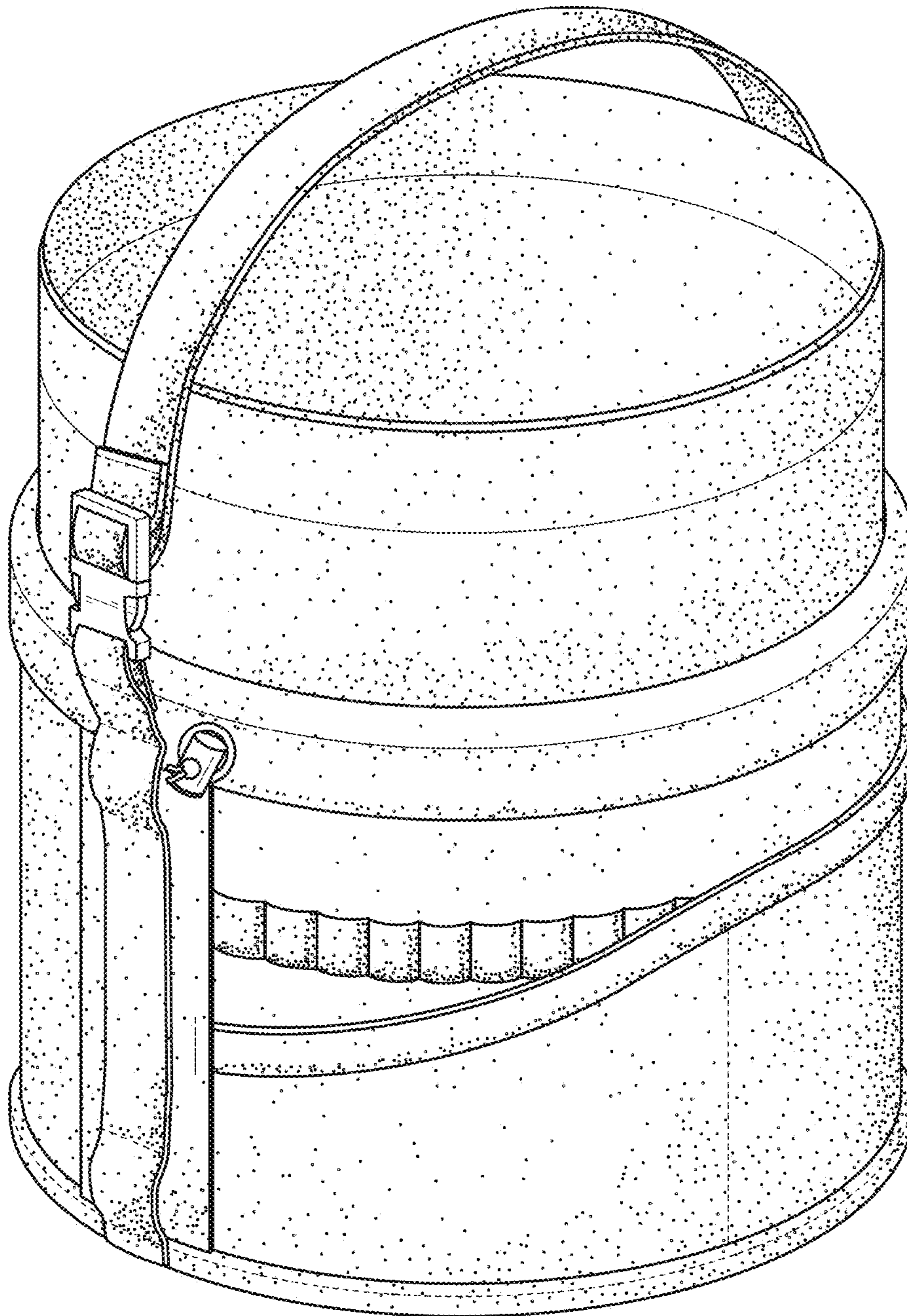


FIG. 8

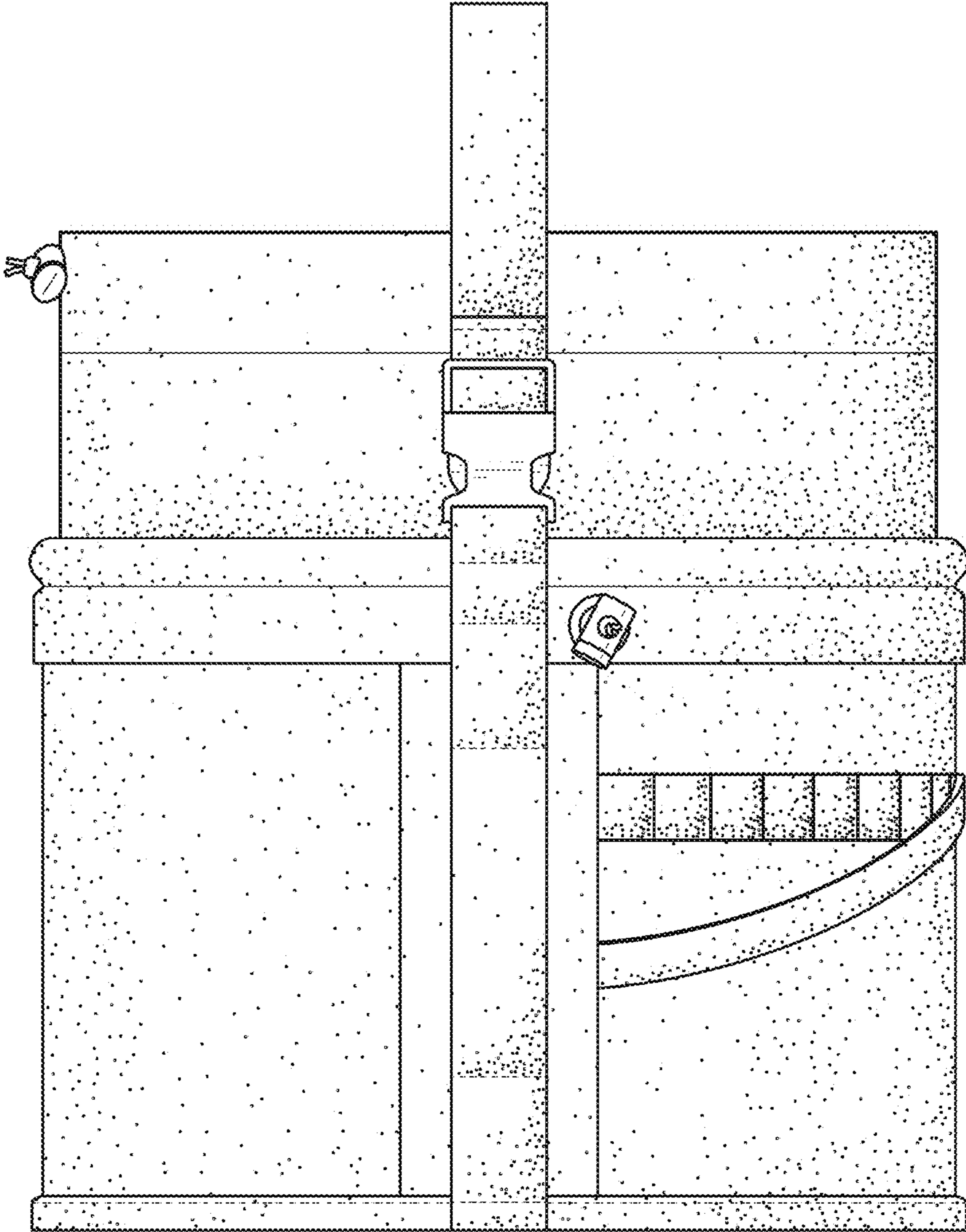


FIG. 9

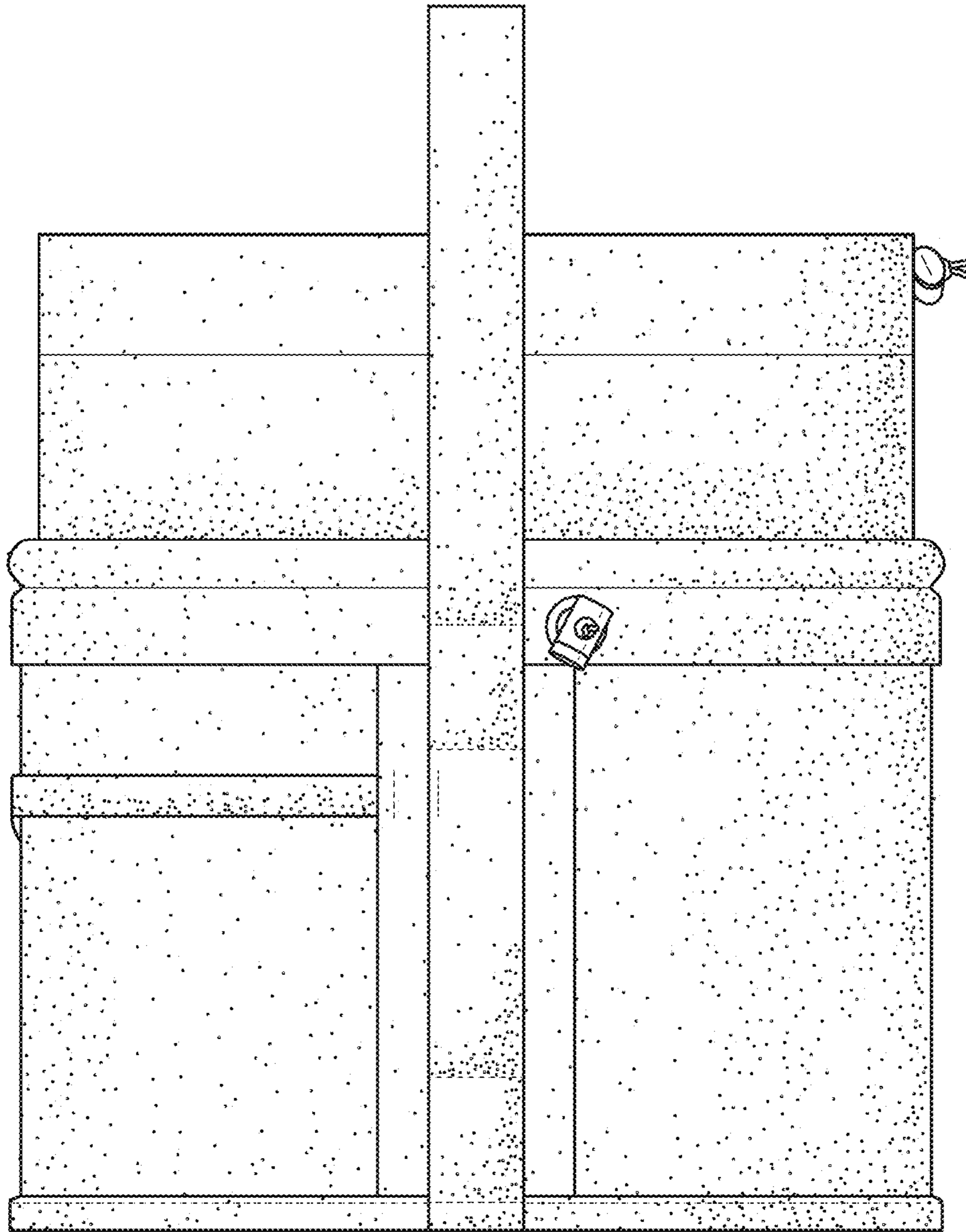


FIG. 10

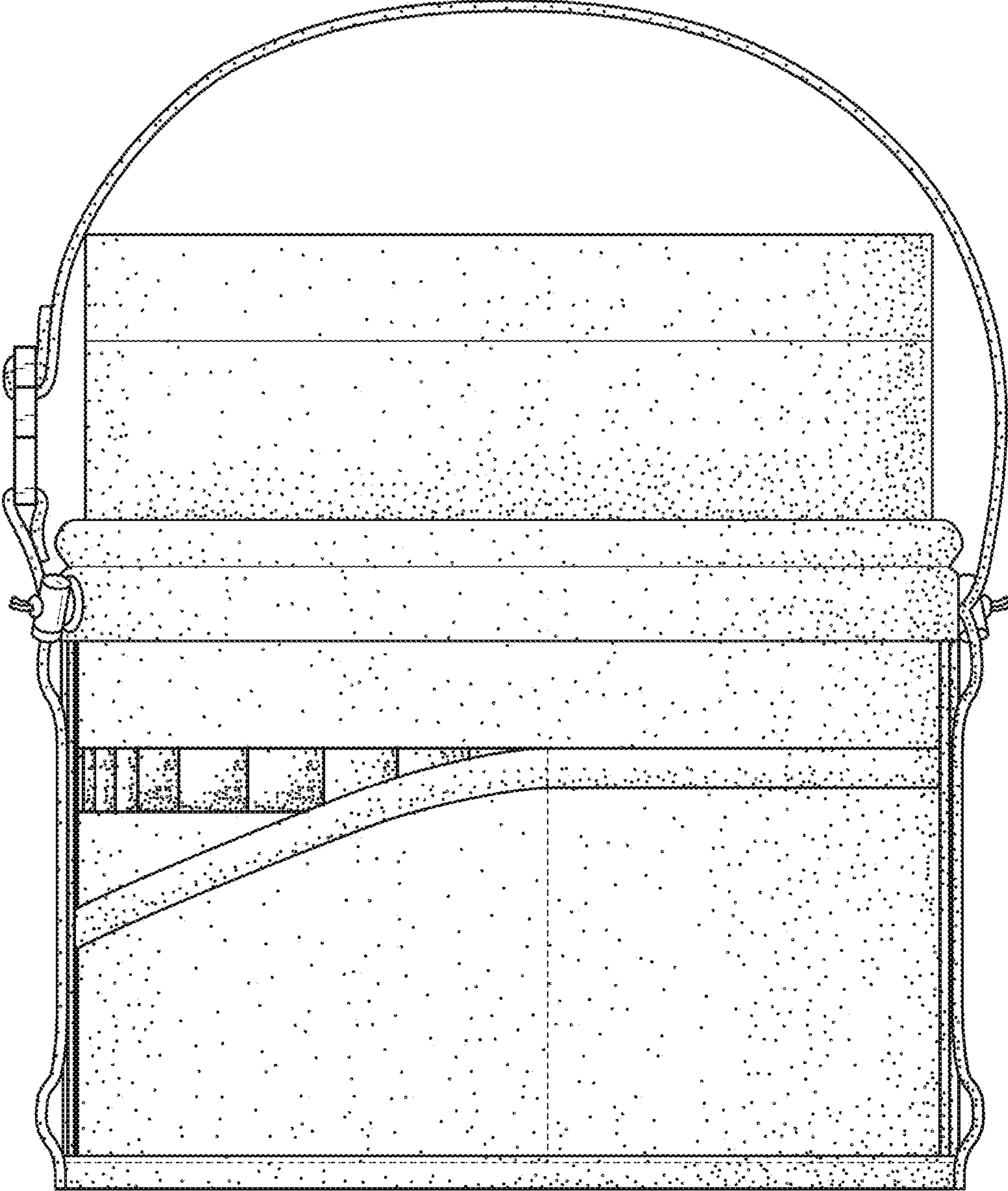


FIG. 11

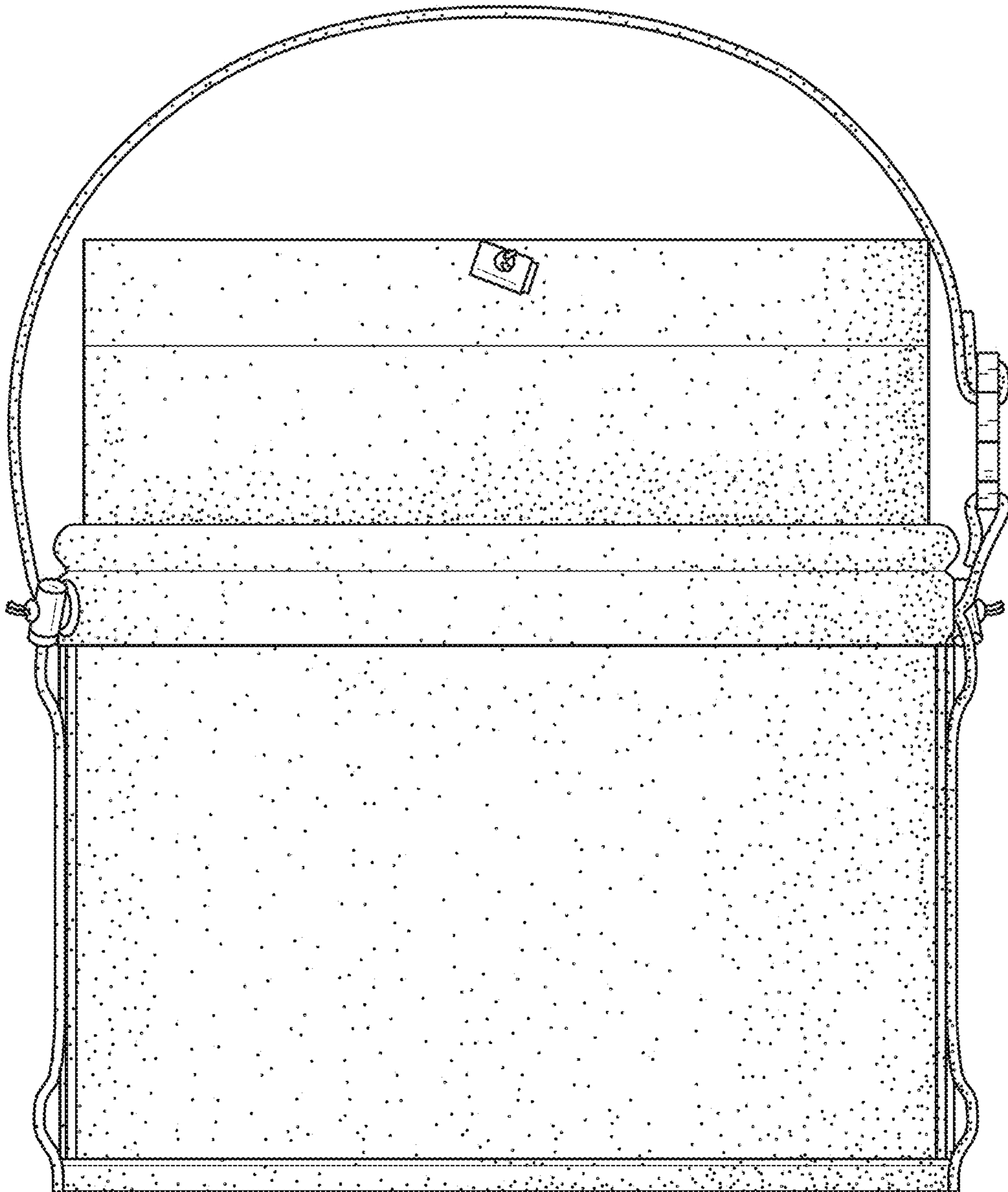


FIG. 12

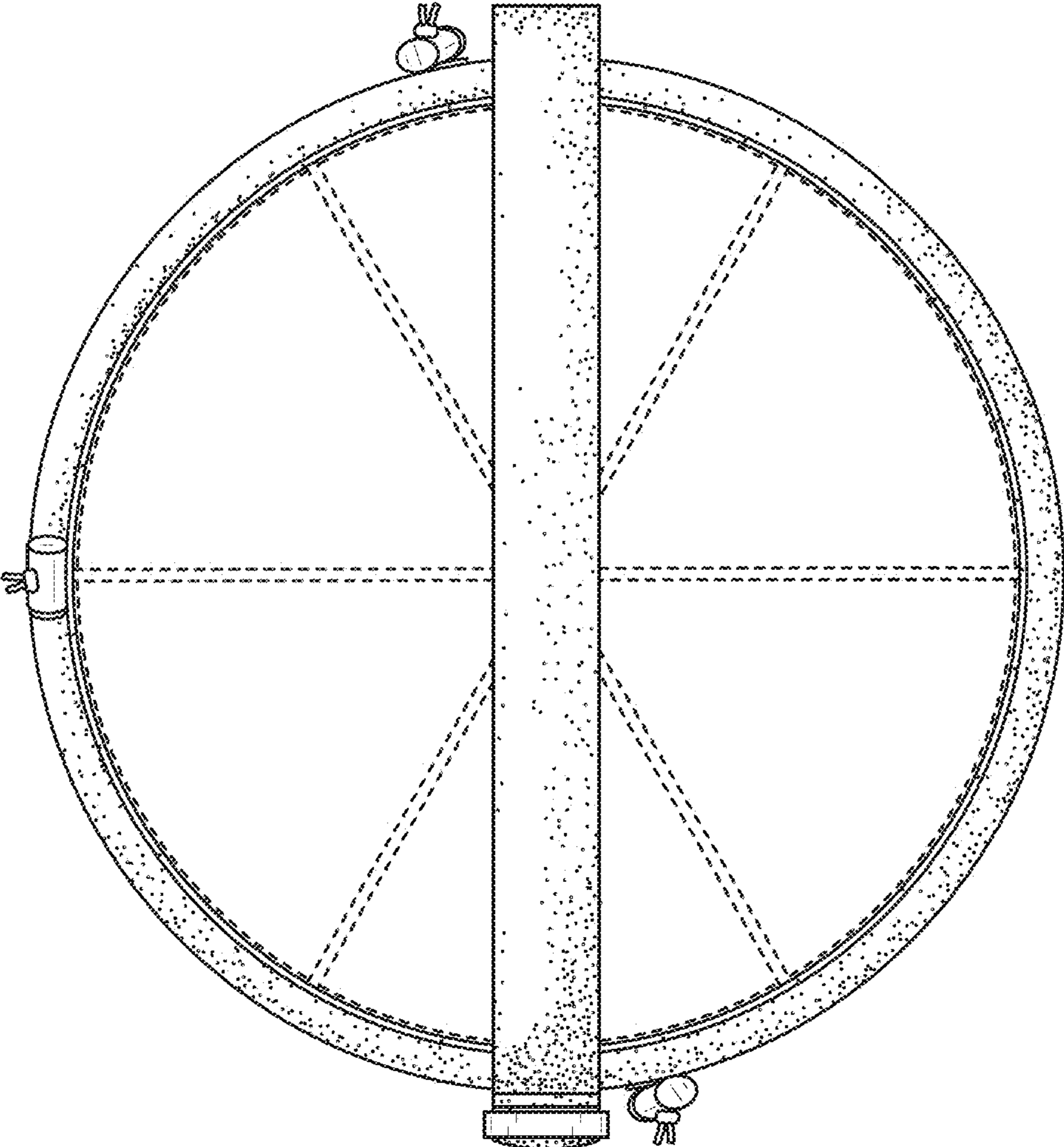


FIG. 13

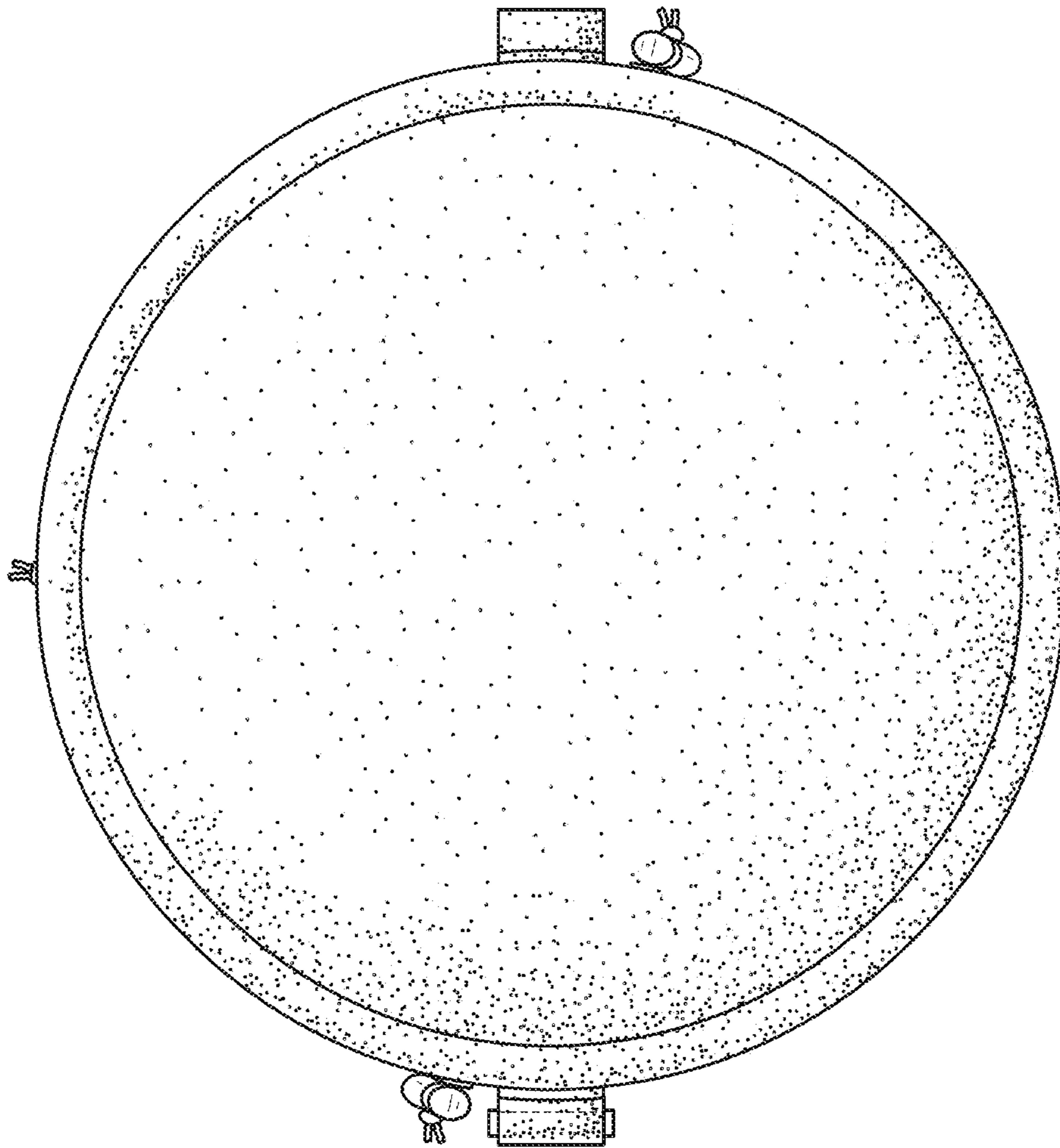


FIG. 14