



US00D810432S

(12) **United States Design Patent** (10) **Patent No.:** **US D810,432 S**
Ballou et al. (45) **Date of Patent:** **** *Feb. 20, 2018**

(54) **CASE**
(71) Applicant: **Pelican Products, Inc.**, Torrance, CA (US)
(72) Inventors: **Daniel Ballou**, Long Beach, CA (US); **Dustin Bullock**, Austin, TX (US); **Joven De La Vega**, Downey, CA (US)
(73) Assignee: **Pelican Products, Inc.**, Torrance, CA (US)
(*) Notice: This patent is subject to a terminal disclaimer.
(**) Term: **15 Years**
(21) Appl. No.: **29/538,042**
(22) Filed: **Aug. 31, 2015**
(51) **LOC (11) Cl.** **03-01**
(52) **U.S. Cl.**
USPC **D3/276; D3/905**
(58) **Field of Classification Search**
USPC D3/905, 276, 279-284, 291, 294, 295, D3/298, 901, 302, 272, 273, 274, 903, D3/217
CPC . B25H 3/02-3/028; B25H 3/00; B25H 3/003; B25H 3/006; B65D 21/0209; A45C 5/00; A45C 13/29
See application file for complete search history.

6,955,381 B2 10/2005 Parker et al.
D520,237 S * 5/2006 Cheng D3/276
D711,105 S * 8/2014 Brunner D3/281
D727,620 S * 4/2015 Tonelli D3/276
D738,106 S * 9/2015 Shitrit D3/276
D757,435 S * 5/2016 Damberg A45C 13/02 D3/284

(Continued)

OTHER PUBLICATIONS

Youtube, "Pelican 1550 case unboxing", uploaded by user SpencerFlames97 on Aug. 23, 2012, accessed Jan. 4, 2017. (<https://www.youtube.com/watch?v=mnvHgITzX8g>).*

(Continued)

Primary Examiner — Jennifer Rivard
Assistant Examiner — April Rivas
(74) *Attorney, Agent, or Firm* — Foley & Lardner LLP

(57) **CLAIM**

We claim the ornamental design for a case, as shown and described.

DESCRIPTION

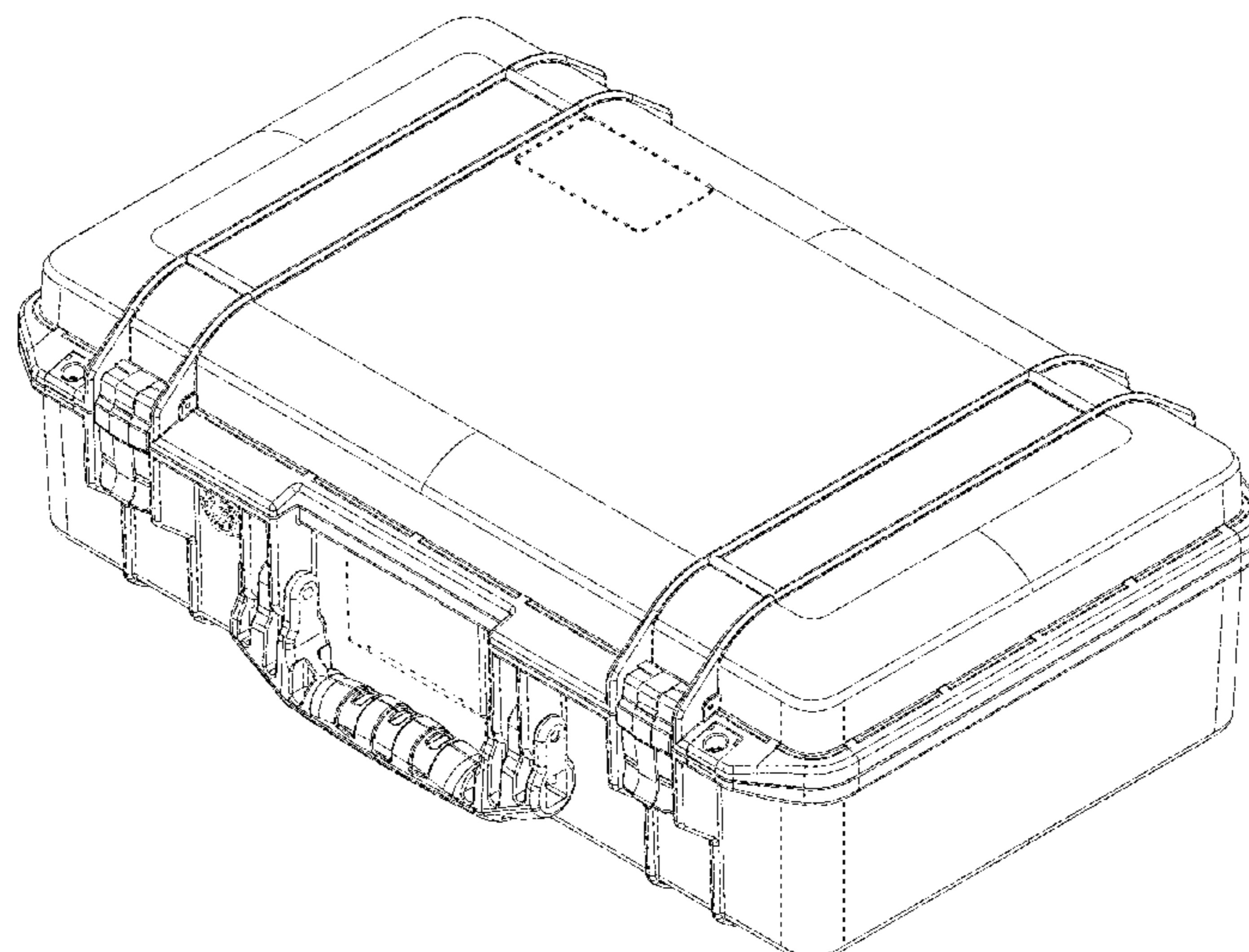
FIG. 1 is a front and top perspective view of the claimed case design;
FIG. 2 is a front view thereof;
FIG. 3 is a rear view thereof;
FIG. 4 is a left view thereof;
FIG. 5 is a right view thereof
FIG. 6 is a top view thereof;
FIG. 7 is a bottom view thereof;
FIG. 8 is a top and rear perspective view thereof;
FIG. 9 is a front and bottom perspective view thereof; and,
FIG. 10 is a bottom and rear perspective view thereof.
The ornamental design which is claimed is shown in solid lines in the drawings. The broken lines illustrate portions of the case and form no part of the claimed design.

1 Claim, 8 Drawing Sheets

(56) **References Cited**

U.S. PATENT DOCUMENTS

D439,407 S * 3/2001 Parker D3/276
D441,954 S * 5/2001 Parker D3/273
D462,519 S * 9/2002 Gaydos D3/276
D464,196 S * 10/2002 Parker D3/201
D467,424 S * 12/2002 Hardigg D3/276
D467,425 S * 12/2002 Hardigg D3/276
D467,426 S * 12/2002 Hardigg D3/276
6,953,126 B2 10/2005 Parker et al.



(56)

References Cited

U.S. PATENT DOCUMENTS

D759,971 S 6/2016 Riddiford et al.
D765,973 S * 9/2016 Tonelli D3/279

OTHER PUBLICATIONS

AU Examination Report dated Sep. 23, 2016, from related application No. 201611032.
AU Examination Report dated Sep. 23, 2016, from related application No. 201611033.
AU Examination Report dated Sep. 23, 2016, from related application No. 201611034.
AU Examination Report dated Sep. 23, 2016, from related application No. 201611036.
AU Examination Report dated Sep. 23, 2016, from related application No. 201611037.
AU Examination Report dated Sep. 23, 2016, from related application No. 201611035.
Pelican-case.com, "Pelican Carry-on Case with Foam—Black Case FAA Approved for Airlines", accessed Jan. 4, 2016, as early as Aug. 31, 2013. (<http://www.pelican-case.com/15caonca.html>).
U.S. Office Action dated Jan. 12, 2017, from related U.S. Appl. No. 29/537,945.
U.S. Office Action dated Jan. 12, 2017, from related U.S. Appl. No. 29/538,022.

U.S. Office Action dated Jan. 12, 2017, from related U.S. Appl. No. 29/538,025.
U.S. Office Action dated Jan. 12, 2017, from related U.S. Appl. No. 29/538,034.
U.S. Office Action dated Jan. 12, 2017, from related U.S. Appl. No. 29/538,051.
U.S. Office Action dated Jun. 8, 2017, from U.S. Appl. No. 29/537,945.
U.S. Office Action dated Jun. 8, 2017, from U.S. Appl. No. 29/538,022.
U.S. Office Action dated Jun. 8, 2017, from U.S. Appl. No. 29/538,025.
U.S. Office Action dated Jun. 9, 2017, from U.S. Appl. No. 29/538,051.
U.S. Notice of Allowance dated Nov. 16, 2017, from U.S. Appl. No. 29/537,945.
U.S. Notice of Allowance dated Nov. 16, 2017, from U.S. Appl. No. 29/538,022.
U.S. Notice of Allowance dated Nov. 21, 2017, from U.S. Appl. No. 29/538,025.
U.S. Notice of Allowance dated Nov. 8, 2017, from U.S. Appl. No. 29/538,051.
U.S. Office Action dated Nov. 14, 2017, from U.S. Appl. No. 29/538,034.

* cited by examiner

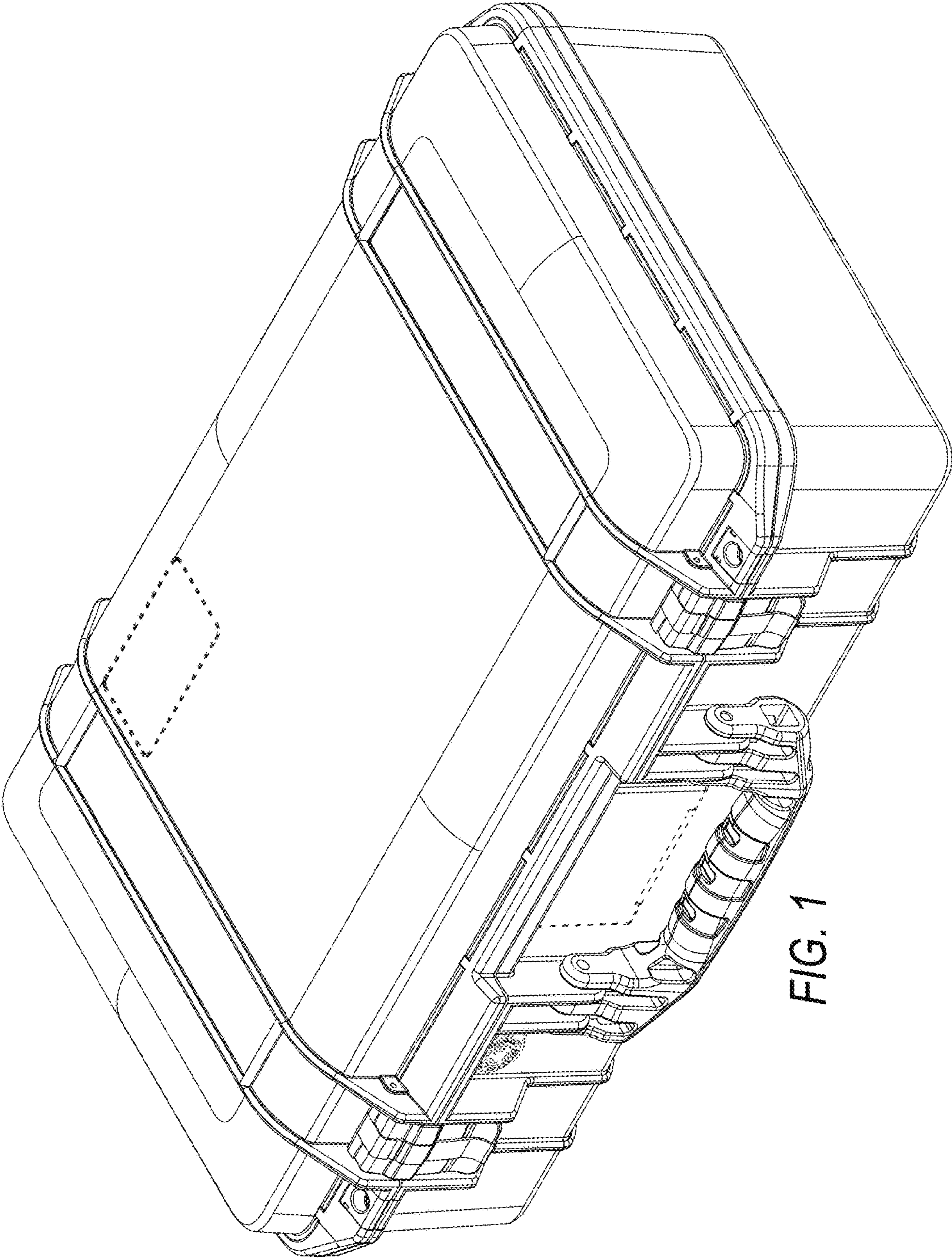


FIG. 1

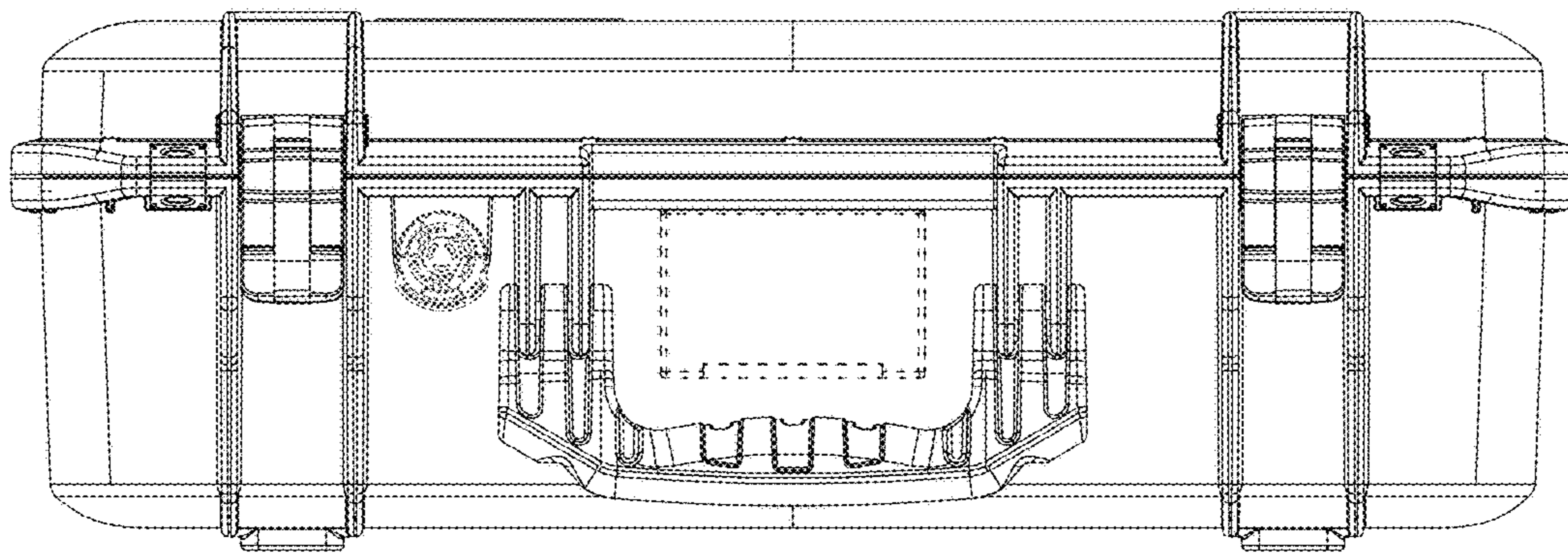


FIG. 2

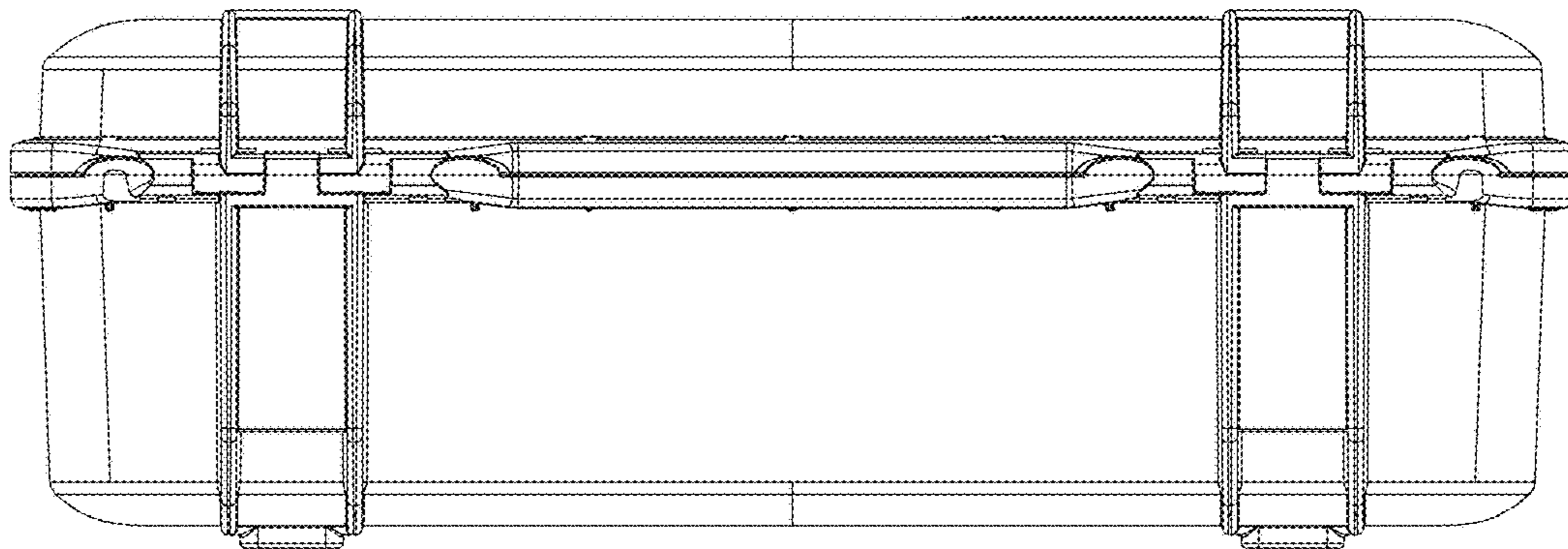


FIG. 3

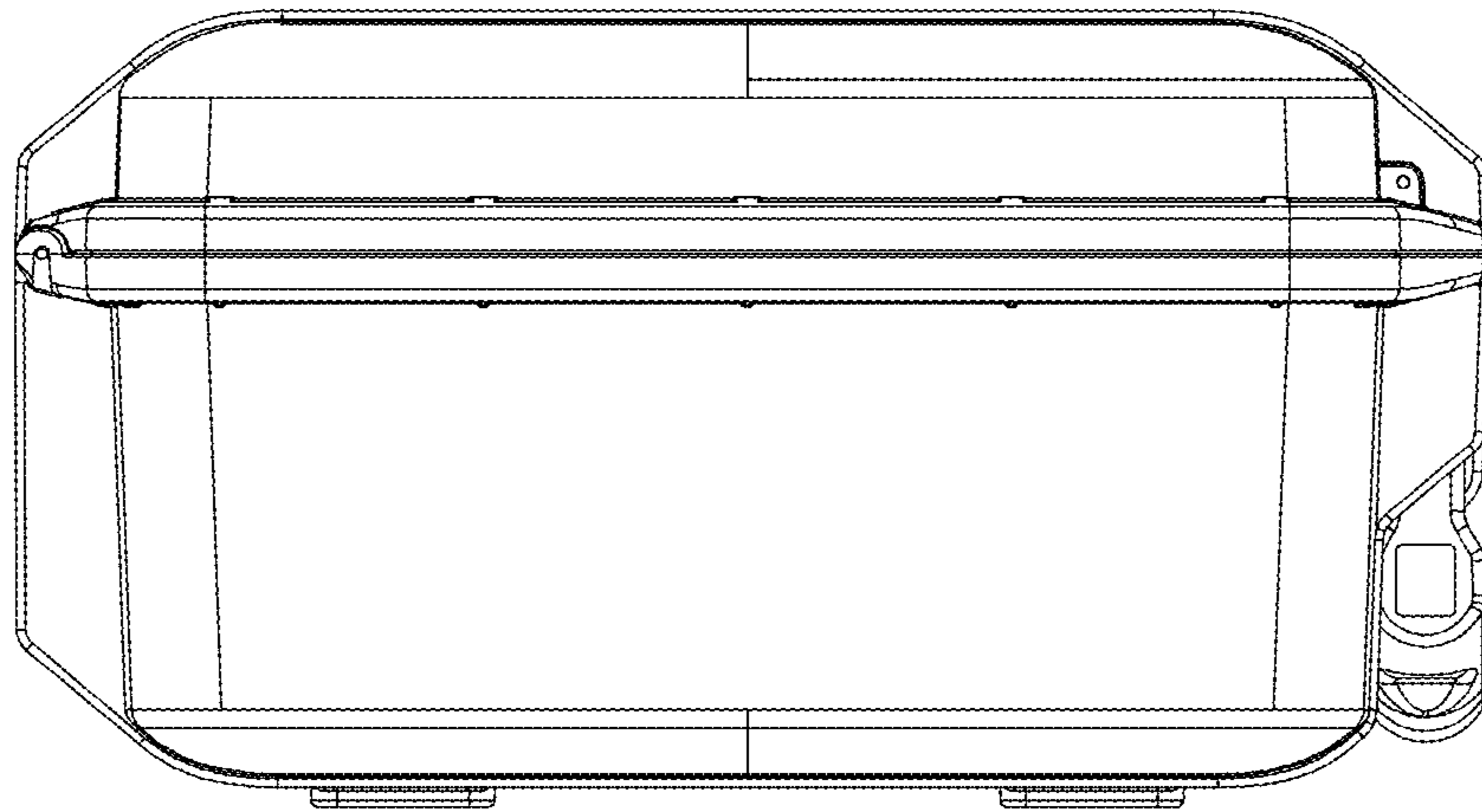


FIG. 4

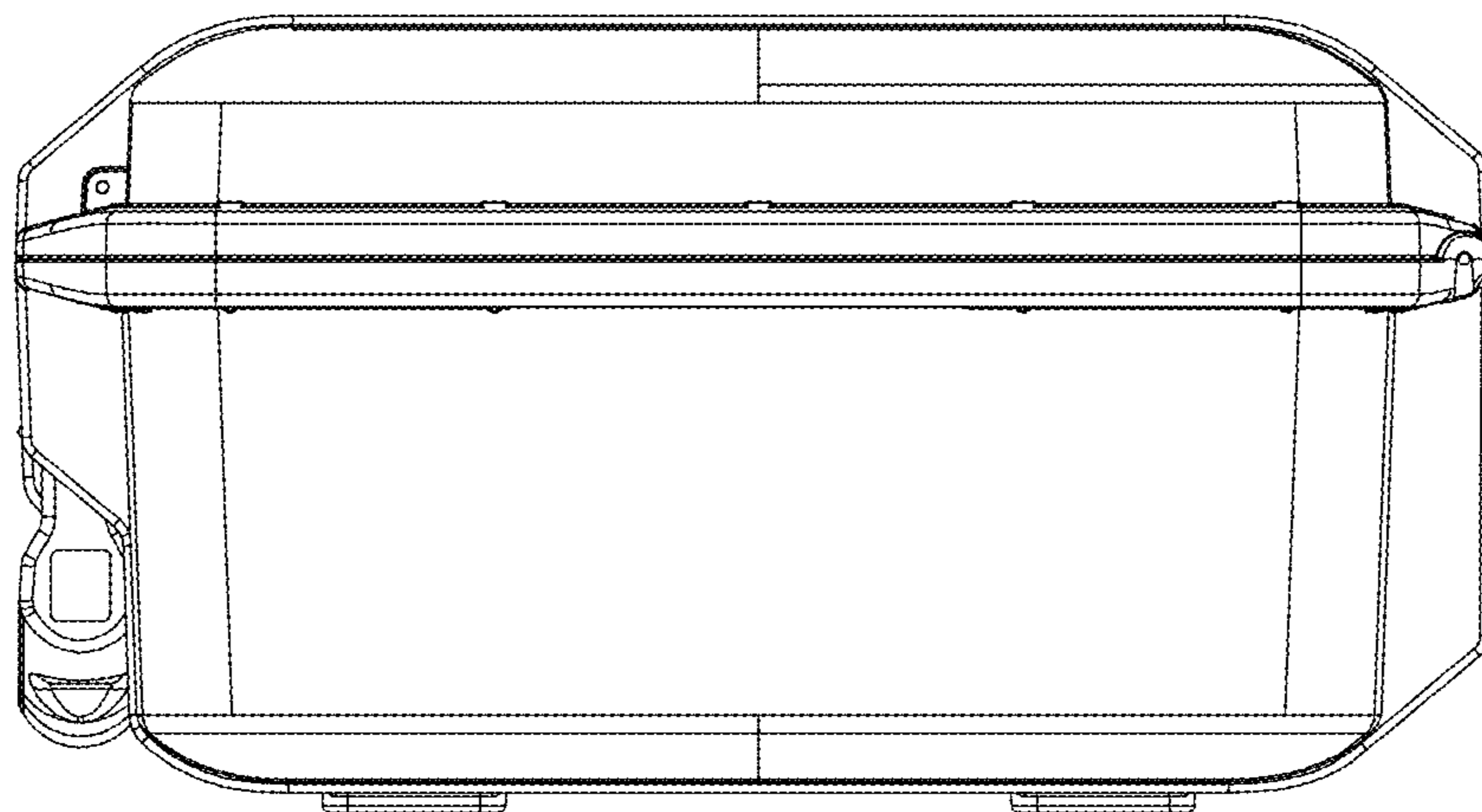


FIG. 5

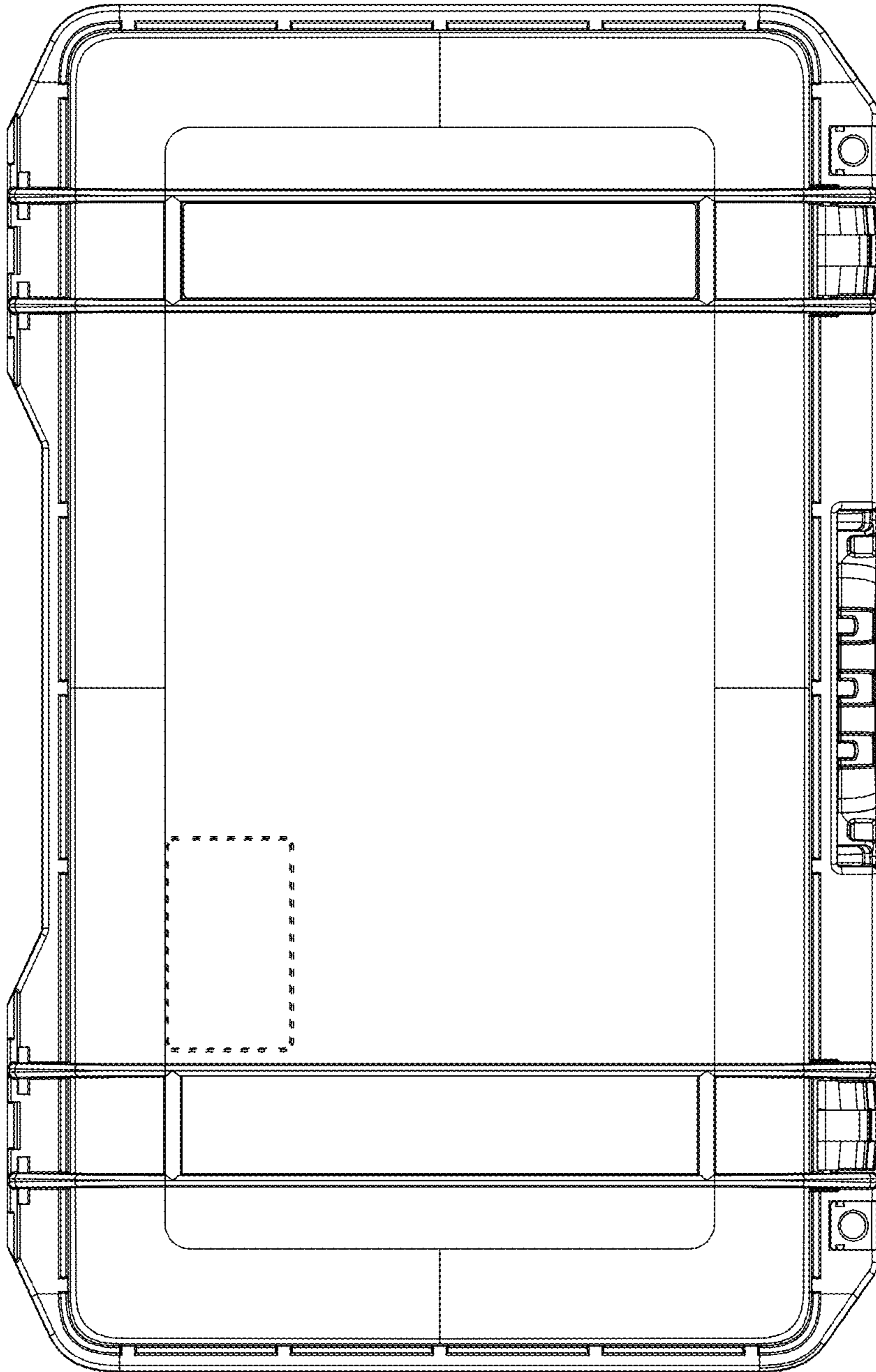


FIG. 6

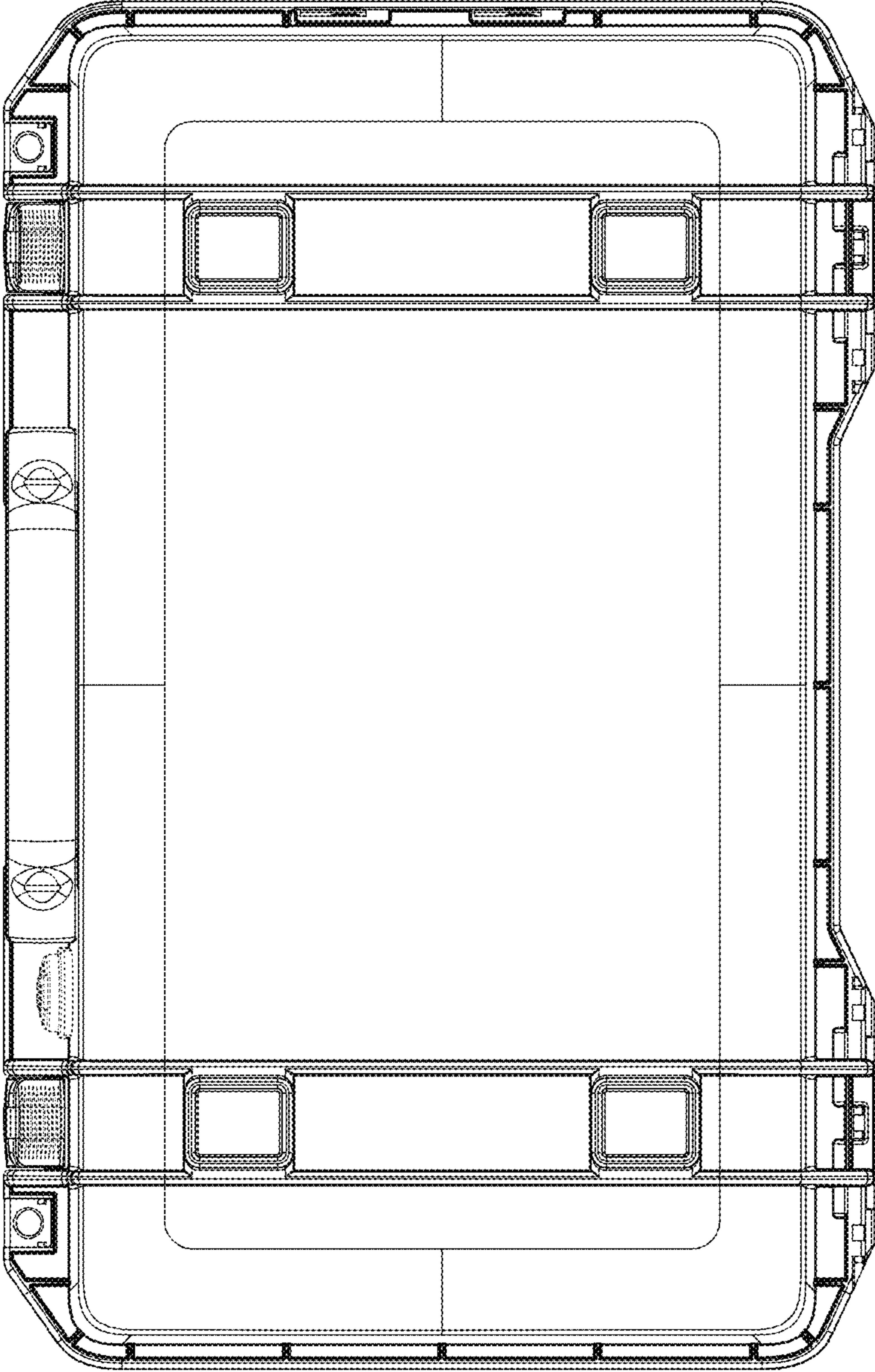


FIG. 7

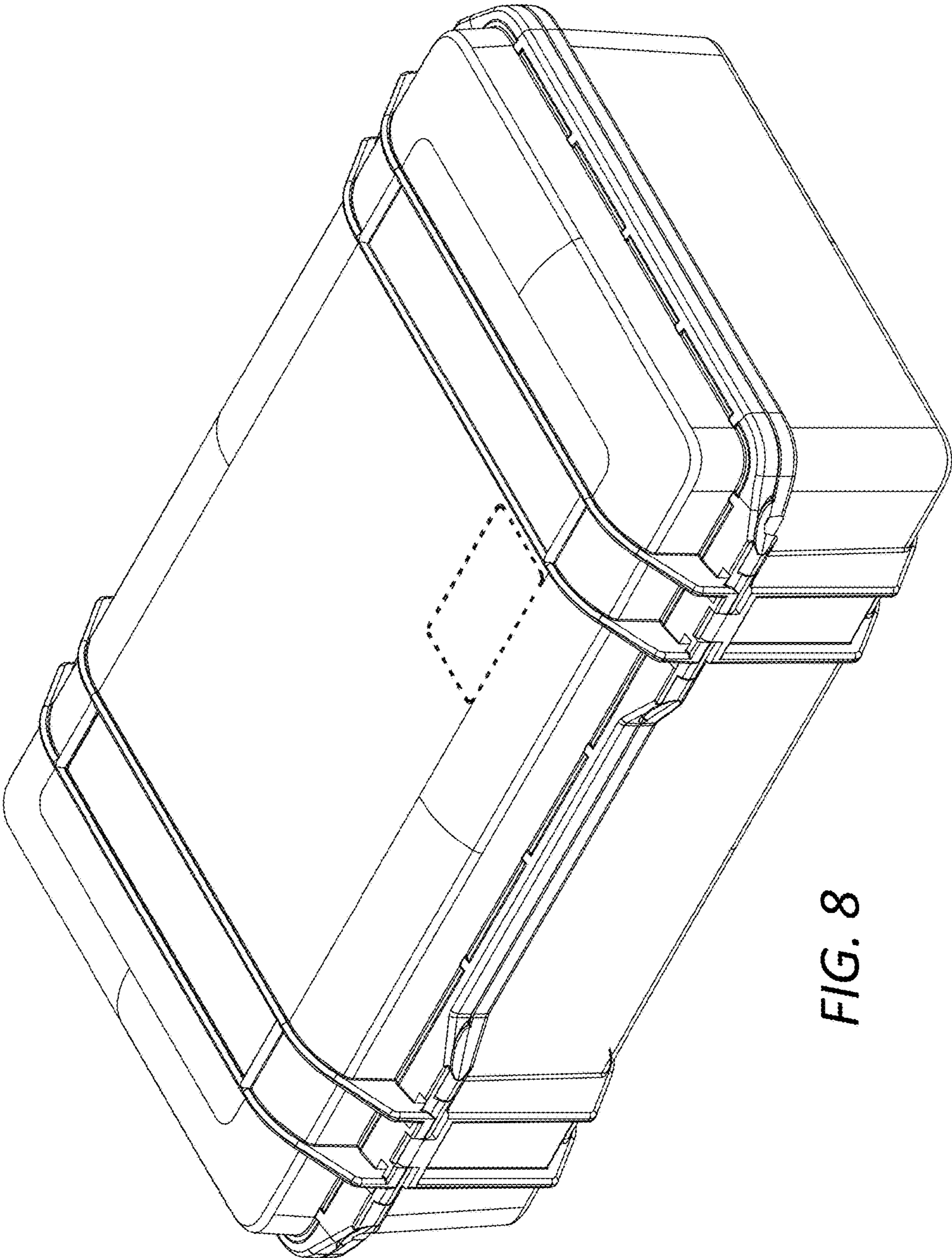


FIG. 8

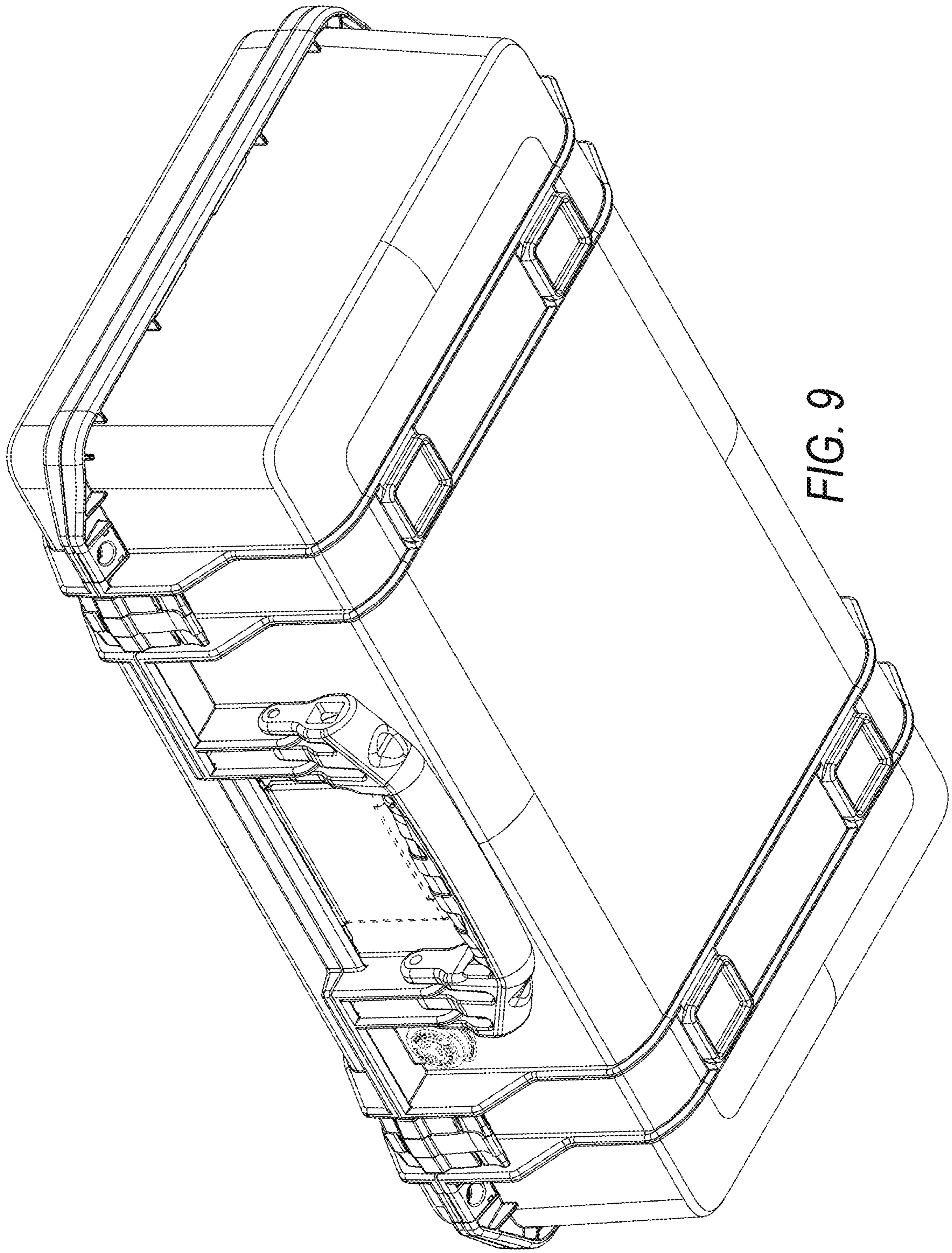


FIG. 9

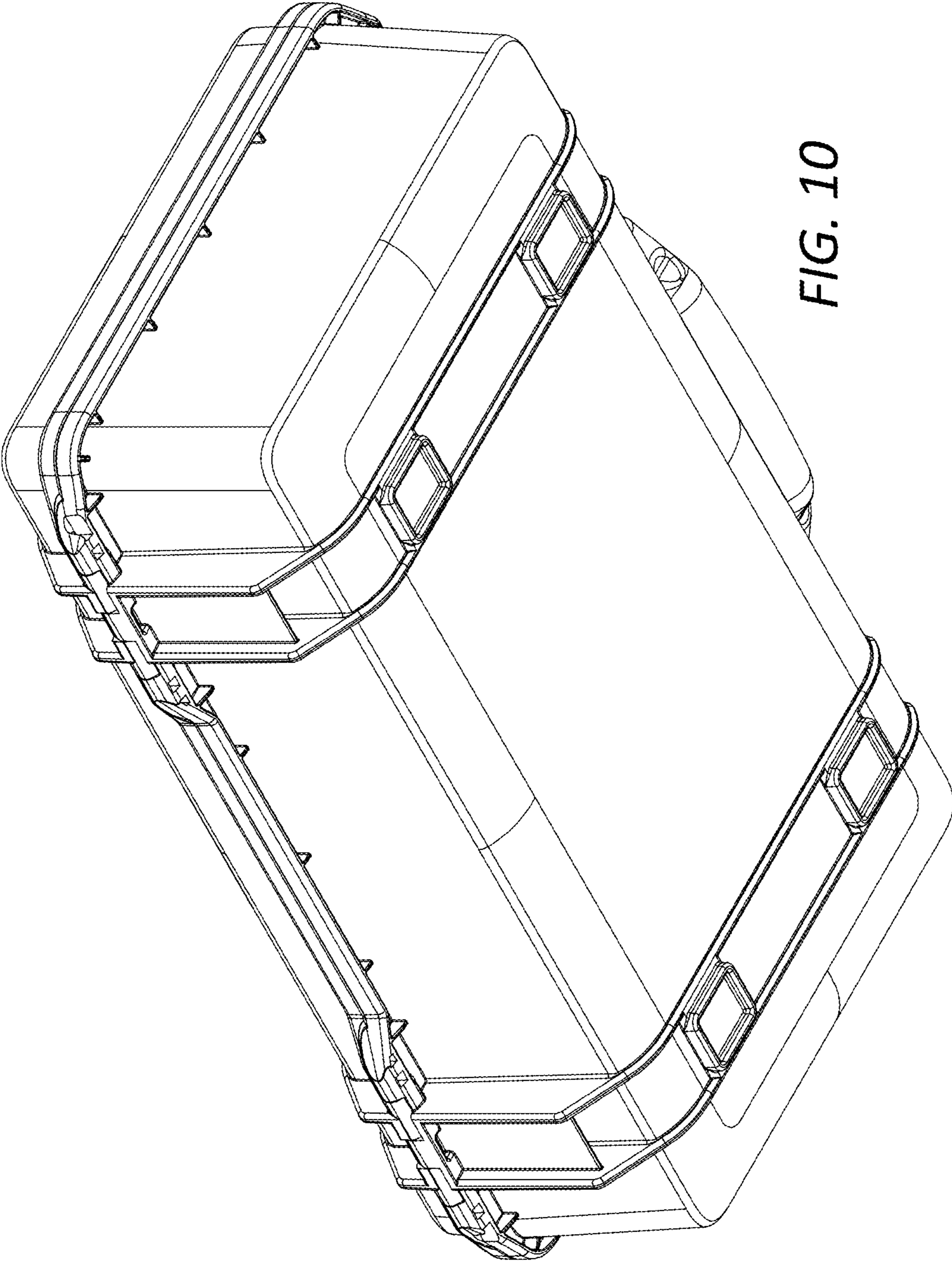


FIG. 10