



US00D810430S

(12) **United States Design Patent** (10) **Patent No.:** **US D810,430 S**
Kitchen (45) **Date of Patent:** **** Feb. 20, 2018**

- (54) **WALLET**
- (71) Applicant: **Michael Kitchen**, Media, PA (US)
- (72) Inventor: **Michael Kitchen**, Media, PA (US)
- (**) Term: **15 Years**
- (21) Appl. No.: **29/589,798**
- (22) Filed: **Jan. 4, 2017**
- (51) **LOC (11) Cl.** **03-01**
- (52) **U.S. Cl.**
USPC **D3/247**
- (58) **Field of Classification Search**
USPC D3/247, 249–253
CPC A45C 11/00
See application file for complete search history.

(56) **References Cited**

U.S. PATENT DOCUMENTS

5,560,476	A	10/1996	Lee	
5,725,098	A	3/1998	Seifert	
6,121,544	A	9/2000	Petsinger	
D470,657	S *	2/2003	Kawamura D11/216
7,163,152	B2	1/2007	Osborn	
7,246,556	B1	7/2007	Stoneberg	
D550,453	S *	9/2007	Ford D3/247
D666,811	S *	9/2012	Yang D3/247
8,567,459	B2	10/2013	Kitchen	
D705,538	S *	5/2014	Dietrich D3/247

9,814,289 B2 * 11/2017 Lay A45C 11/00
2005/0150961 A1 7/2005 Porter
2007/0194128 A1 8/2007 Coe

* cited by examiner

Primary Examiner — Holly H Baynham
(74) *Attorney, Agent, or Firm* — Paul & Paul

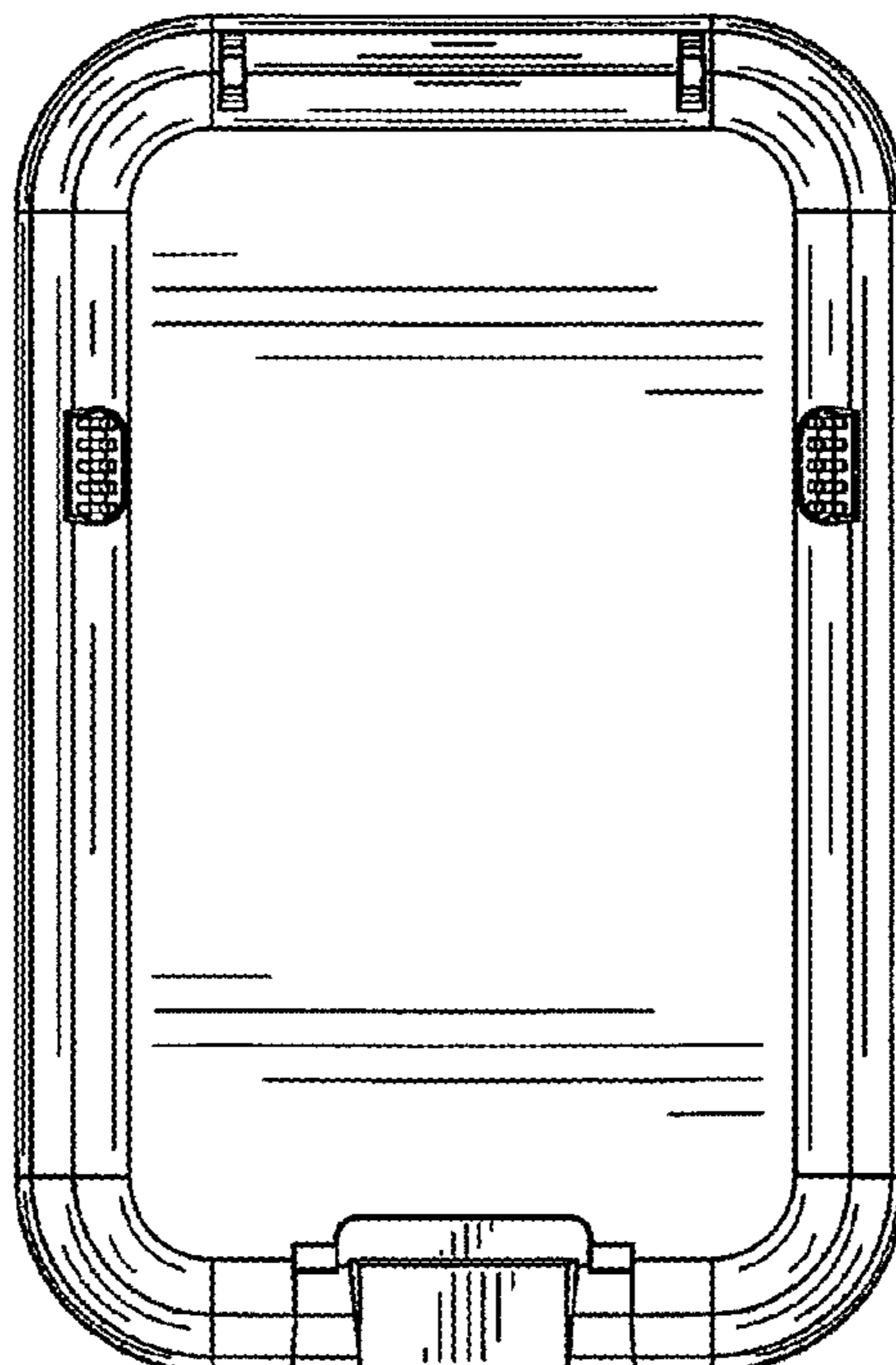
(57) **CLAIM**

An ornamental design for a wallet, as shown and described.

DESCRIPTION

FIG. 1 is a top plan view of a wallet embodying my new design shown in a closed position;
FIG. 2 is a right side elevational view thereof;
FIG. 3 is a left side elevational view thereof;
FIG. 4 is a bottom plan view thereof;
FIG. 5 is a front elevational view thereof;
FIG. 6 is a rear elevational view thereof;
FIG. 7 is a first perspective view showing the front, the right side, and the top thereof;
FIG. 8 is a second perspective view showing the rear, right side, and top thereof;
FIG. 9 is a third perspective view showing the front, the left side, and the bottom thereof; and,
FIG. 10 is a fourth perspective view showing the rear, left side and bottom thereof.

1 Claim, 4 Drawing Sheets



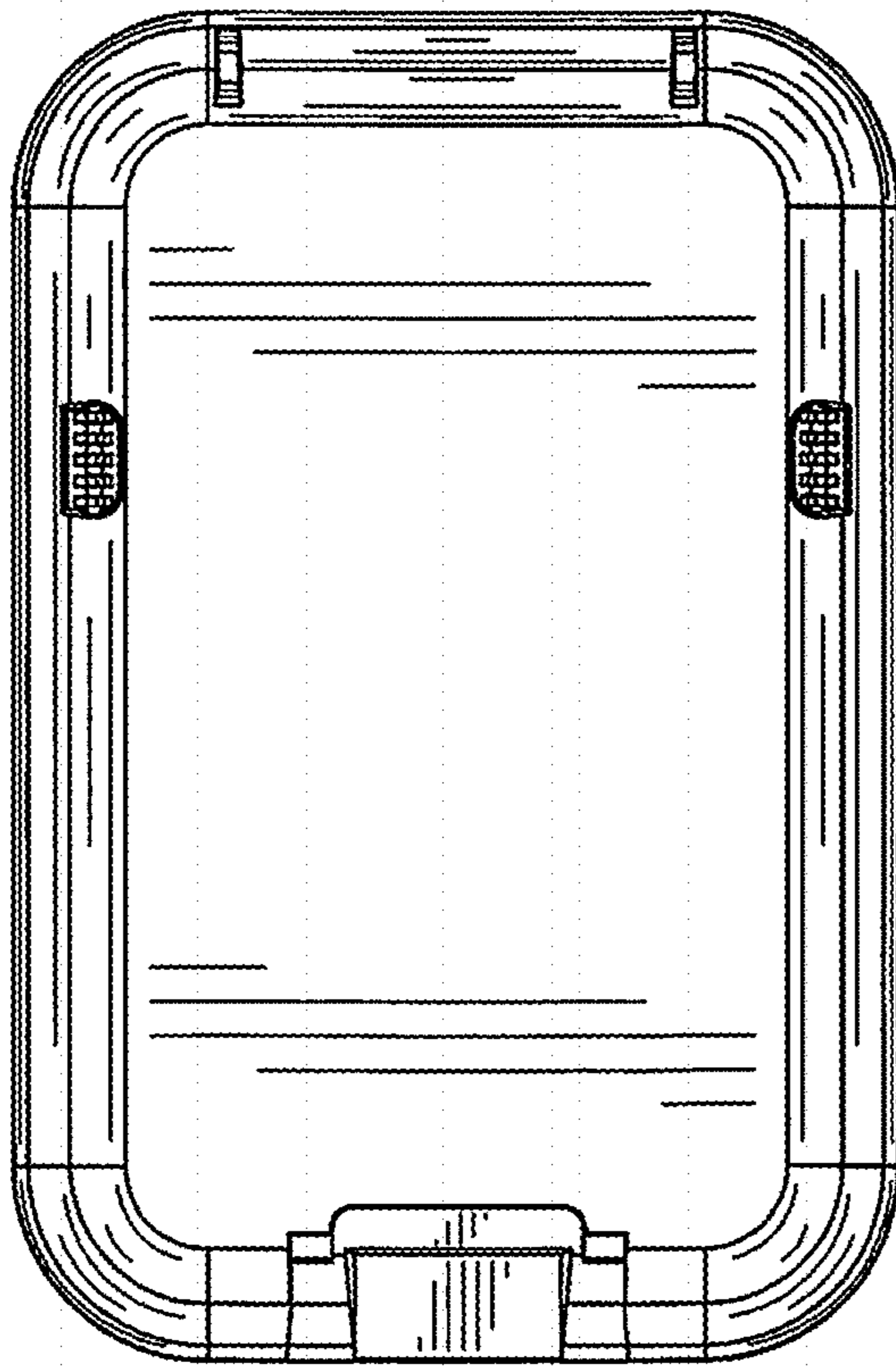


FIG. 1

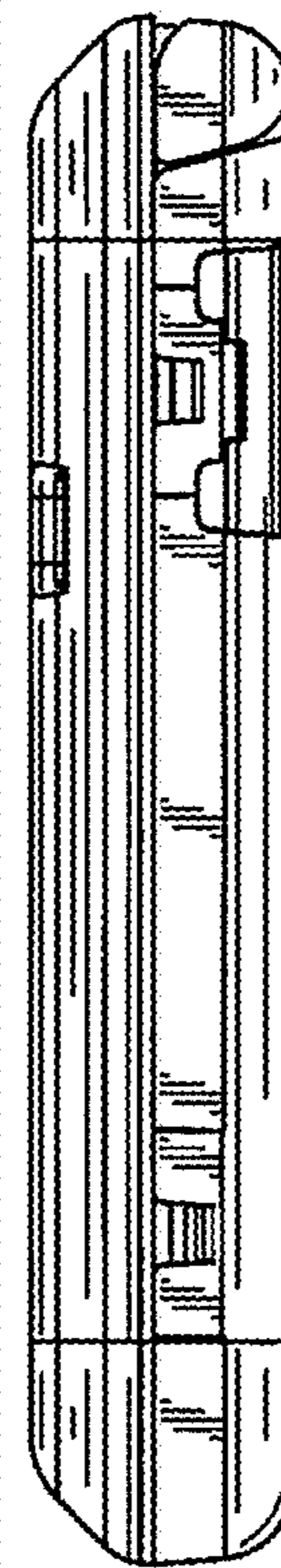


FIG. 2

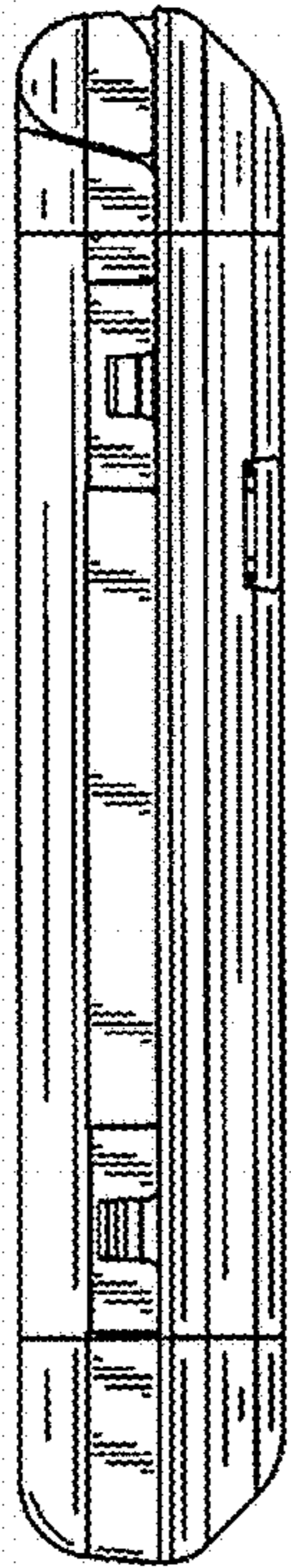


FIG. 3

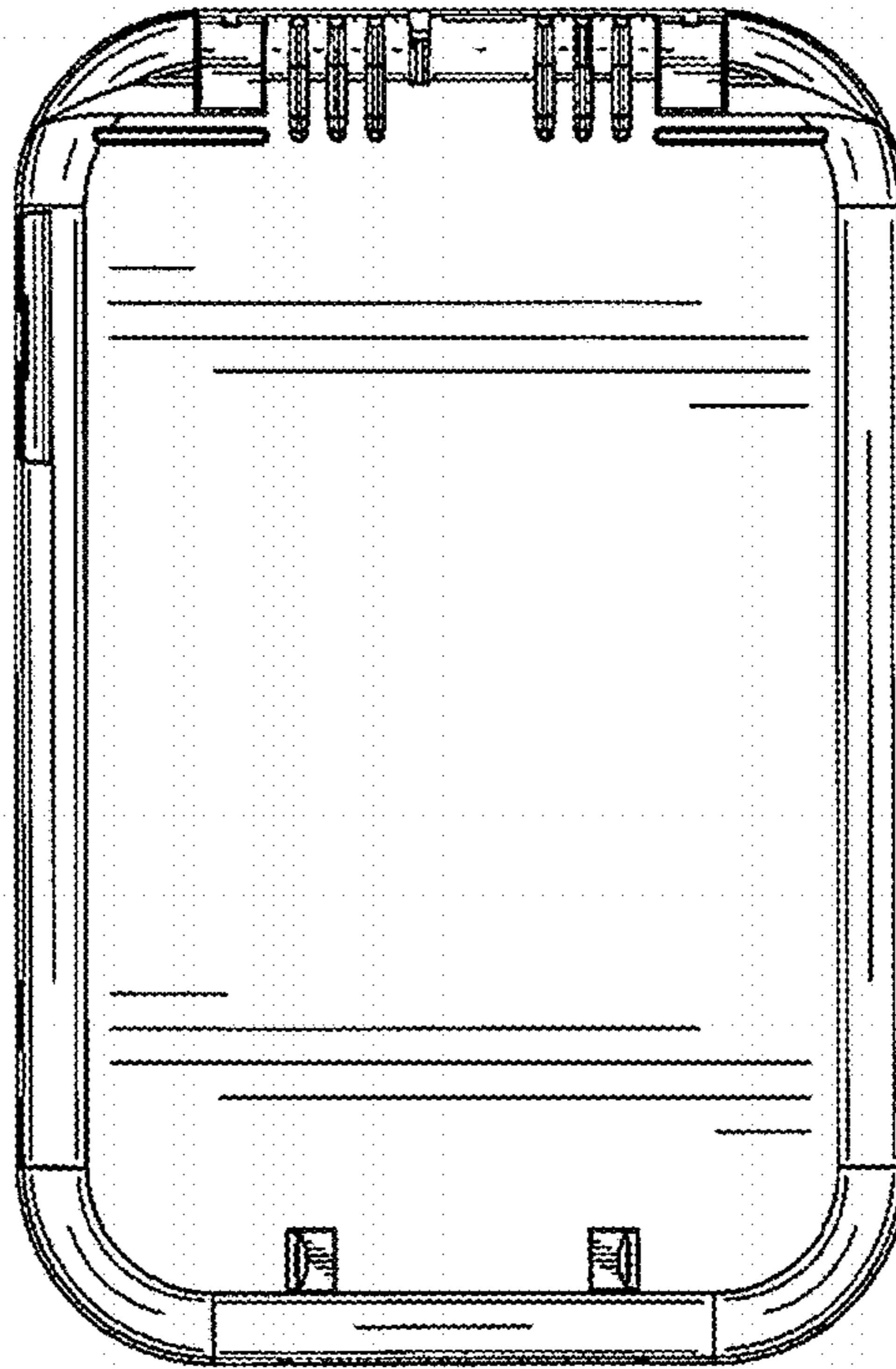


FIG. 4

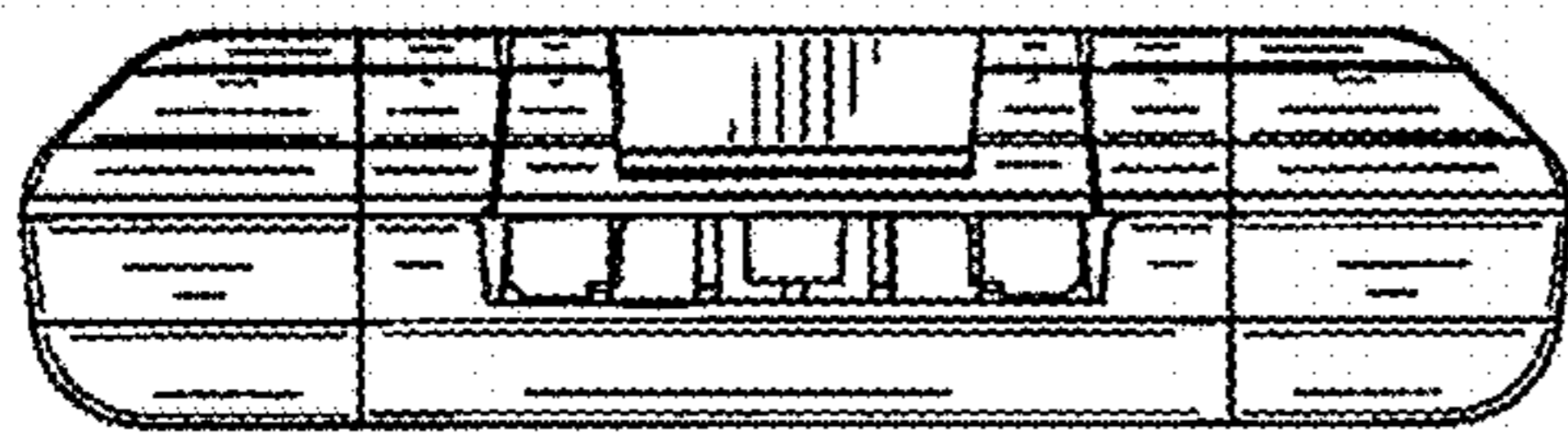


FIG. 5

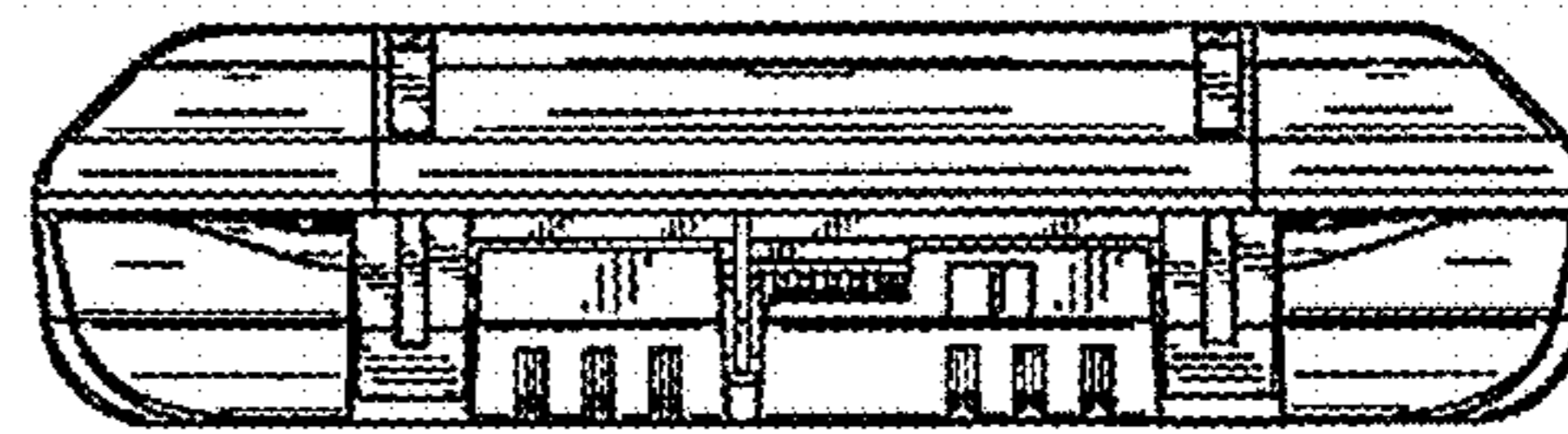


FIG. 6

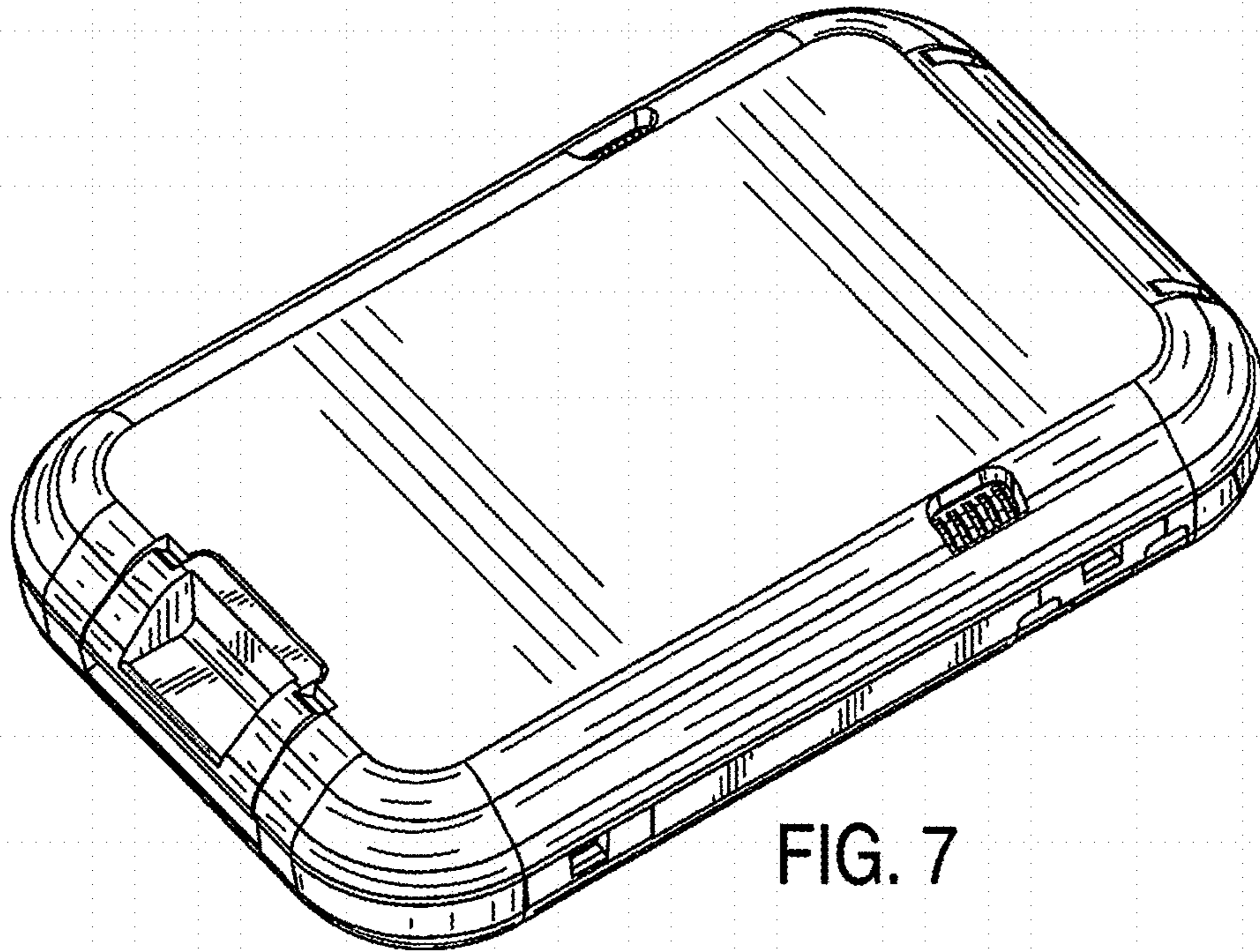


FIG. 7

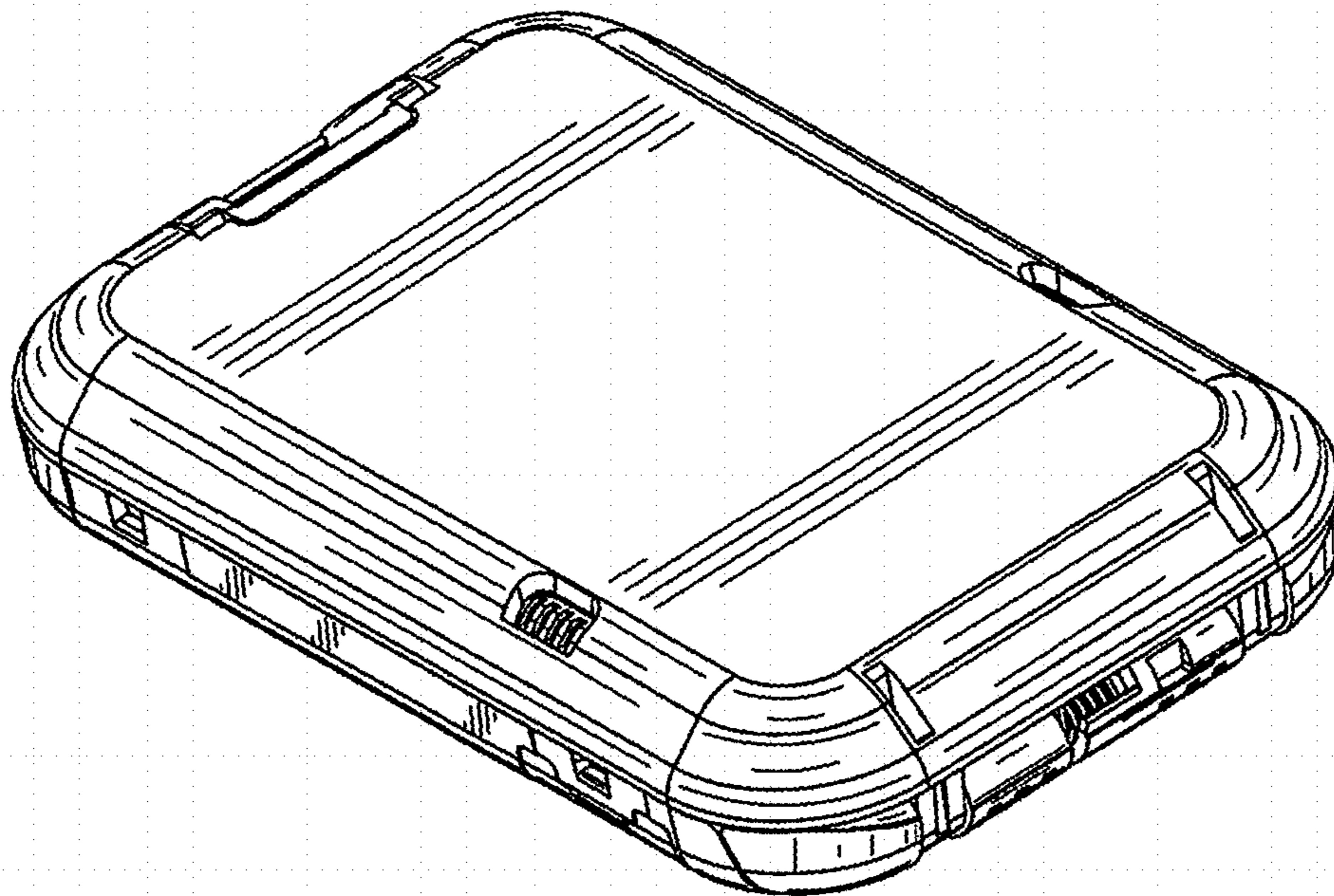


FIG. 8

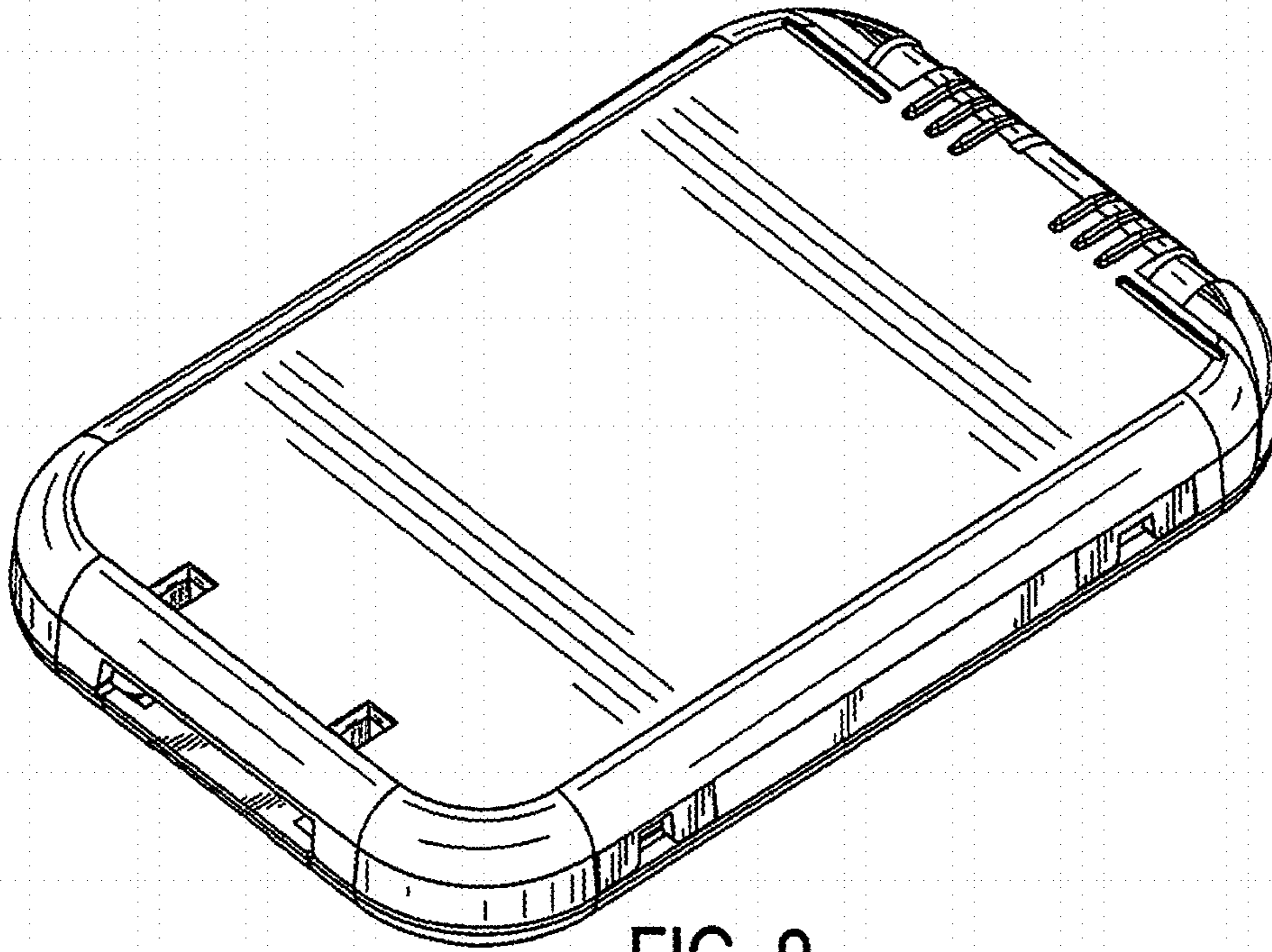


FIG. 9

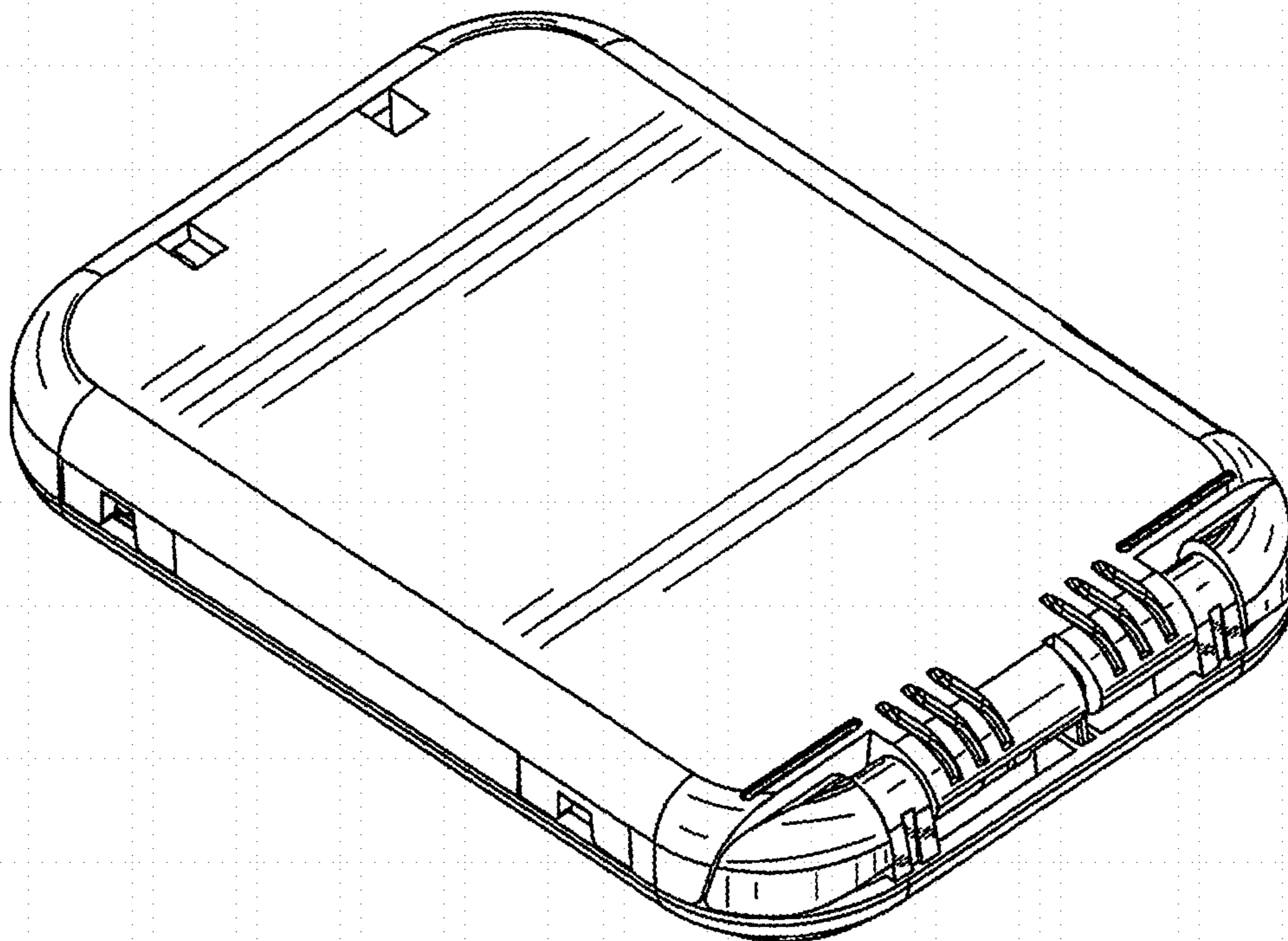


FIG. 10