



US00D810427S

(12) **United States Design Patent** (10) **Patent No.:** **US D810,427 S**
Lopez Montoya (45) **Date of Patent:** **** Feb. 20, 2018**

(54) **BAG**
(71) Applicant: **Bulgari S.p.A.**, Rome (IT)
(72) Inventor: **Mireia Lopez Montoya**, Florence (IT)
(73) Assignee: **BULGARI S.P.A.**, Rome (IT)
(**) Term: **15 Years**

D695,517 S * 12/2013 Sassi D3/243
D723,273 S * 3/2015 Burritt D3/245
2014/0326371 A1* 11/2014 Lewis A45C 7/0068
150/117

(21) Appl. No.: **29/573,329**
(22) Filed: **Aug. 4, 2016**

FOREIGN PATENT DOCUMENTS

CN 303568894 * 8/2015
CN 303732832 * 1/2016
CN 303918386 * 5/2016

(30) **Foreign Application Priority Data**

Feb. 4, 2016 (WO) DM/089481

(51) **LOC (11) Cl.** **03-01**

(52) **U.S. Cl.**
USPC **D3/243**

(58) **Field of Classification Search**

USPC D3/201, 205, 206, 231-233, 239-242,
D3/258, 273, 299, 301, 303, 318, 901,
D3/903, 243-247; D12/409
CPC A45C 13/02; A45C 13/06; A45C 13/08;
A45C 13/26; A45C 1/024; A45C 7/0077;
A45C 3/04; A45C 3/06

See application file for complete search history.

OTHER PUBLICATIONS

Purse blog, 23 Gorgeous Accessory Gifts from Gucci for Holiday 2015, posted Dec. 10, 2015, [online], [site visited on Jun. 29, 2017]. Available from Internet, <URL: <http://www.purseblog.com/gucci/gucci-gift-guide-2015/>>.*

* cited by examiner

Primary Examiner — Sheryl Lane
Assistant Examiner — Samantha N Wood
(74) *Attorney, Agent, or Firm* — Stephen Kenny; Peter Sullivan; Foley Hoag LLP

(56) **References Cited**

U.S. PATENT DOCUMENTS

380,416 A * 4/1888 Ames A45C 3/06
150/110
D103,492 S * 3/1937 Felmann D3/240
D110,137 S * 6/1938 Goldsmith D3/246
D324,771 S * 3/1992 Dixsaut D3/243
D524,538 S * 7/2006 Gonzalez D3/247
D537,626 S * 3/2007 Ghesquiere D3/243
D582,668 S * 12/2008 Gonzalez D3/243
D591,505 S * 5/2009 Gonzalez D3/245
D609,231 S * 2/2010 de Jong D14/250
D686,820 S * 7/2013 Song D3/243

(57) **CLAIM**
The ornamental design for a bag, as shown and described.

DESCRIPTION

FIG. 1 is a perspective view of the bag showing my new design.
FIG. 2 is a front view thereof.
FIG. 3 is a back view thereof.
FIG. 4 is a right view thereof.
FIG. 5 is a left view thereof.
FIG. 6 is a top view thereof.
FIG. 7 is a bottom view thereof.
FIG. 8 is a top view thereof; and,
FIG. 9 is a front view thereof.
The broken lines showing portions of the bag are included for the purpose of illustrating portions of the article and form no part of the claimed design.

1 Claim, 8 Drawing Sheets

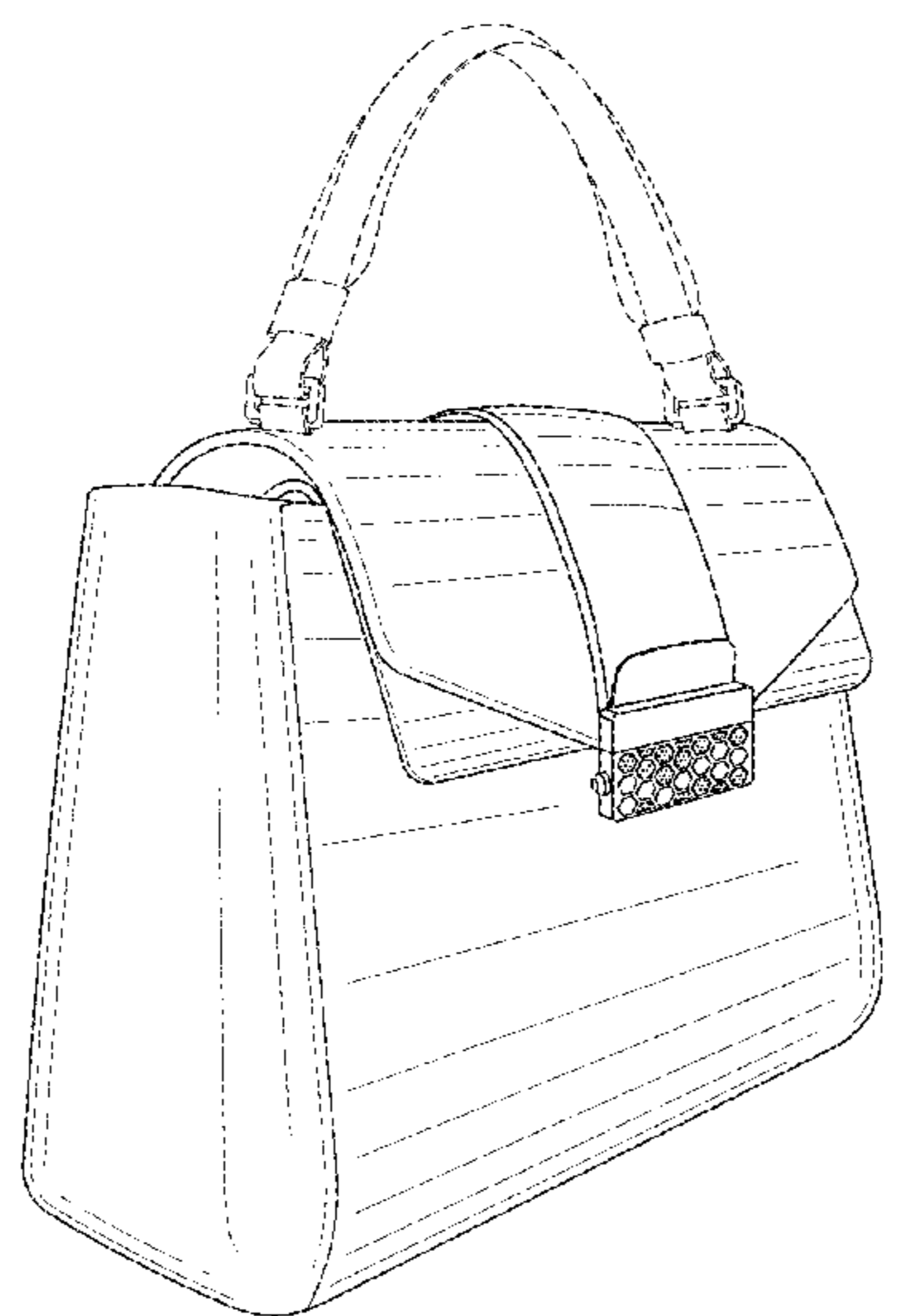




FIG. 1

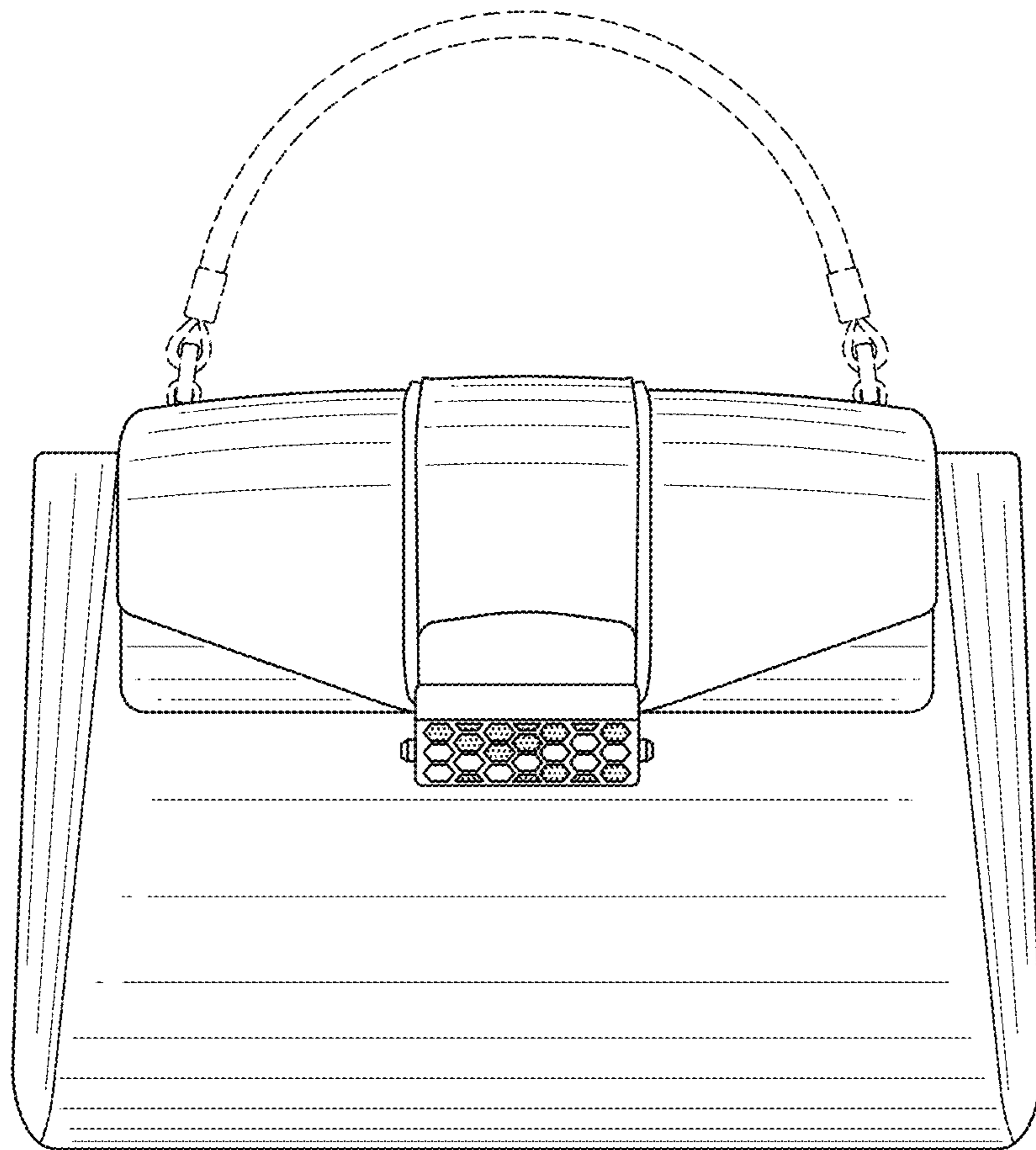


FIG. 2

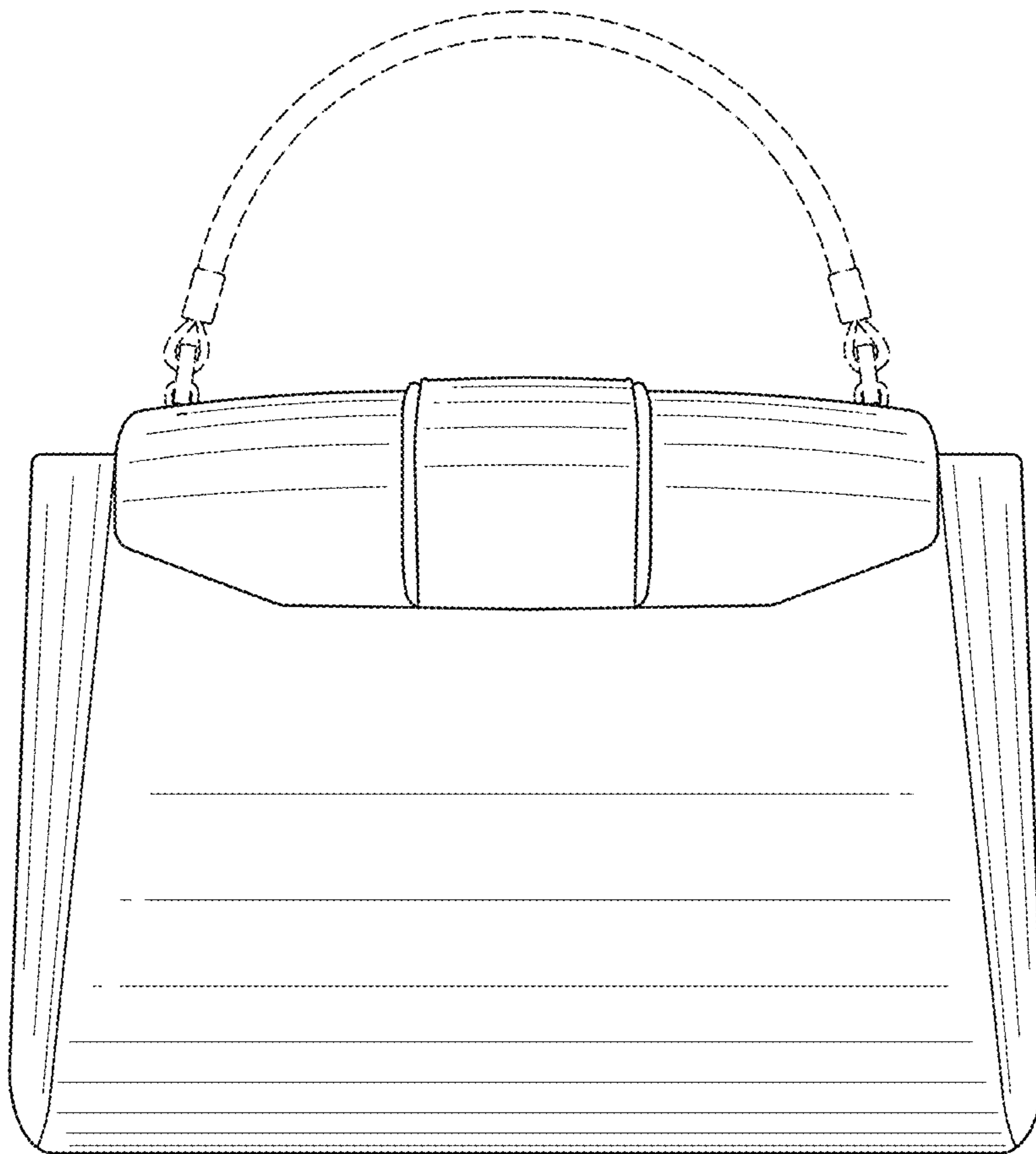


FIG. 3

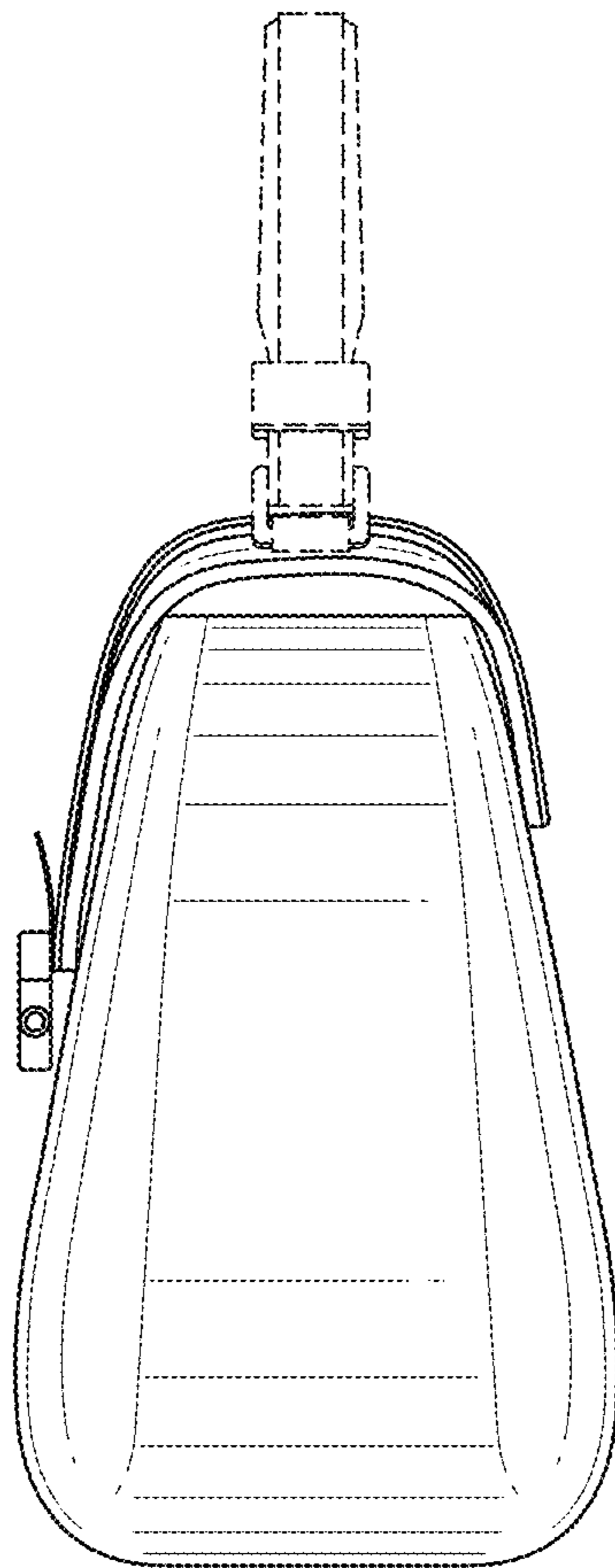


FIG.4

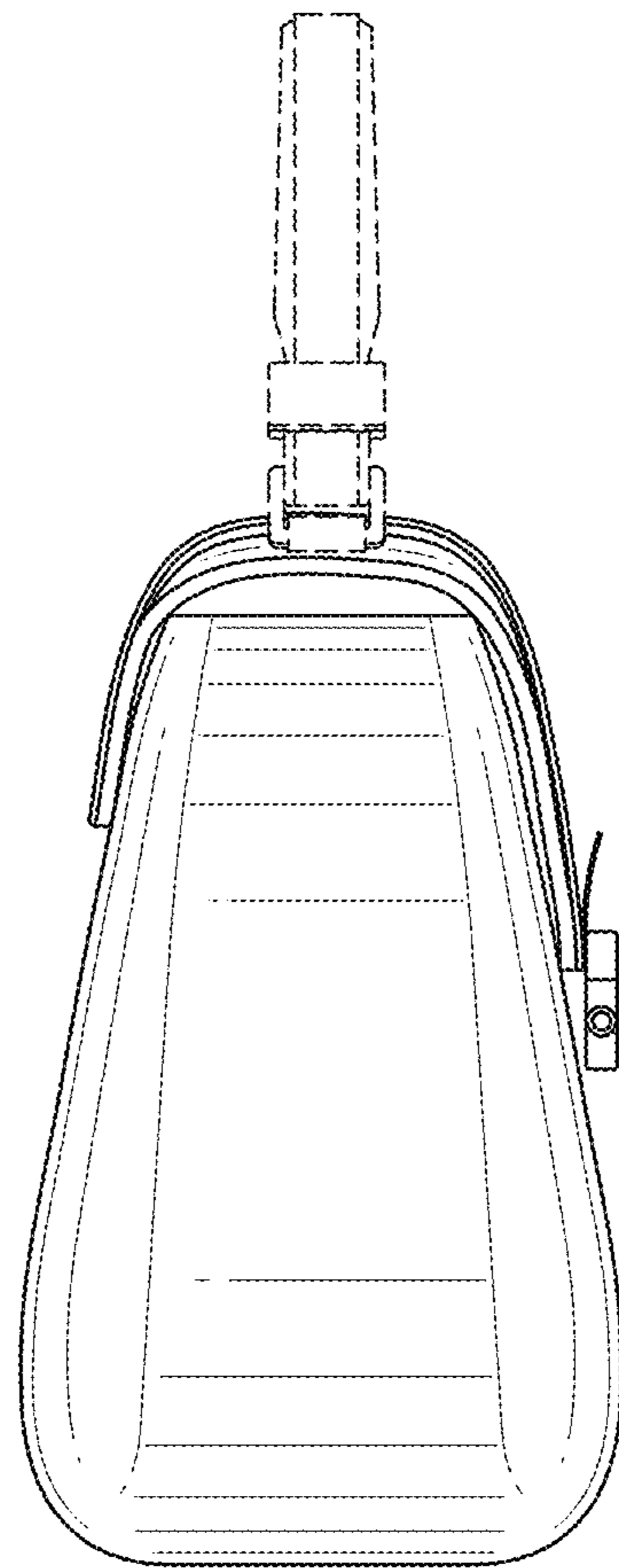


FIG. 5

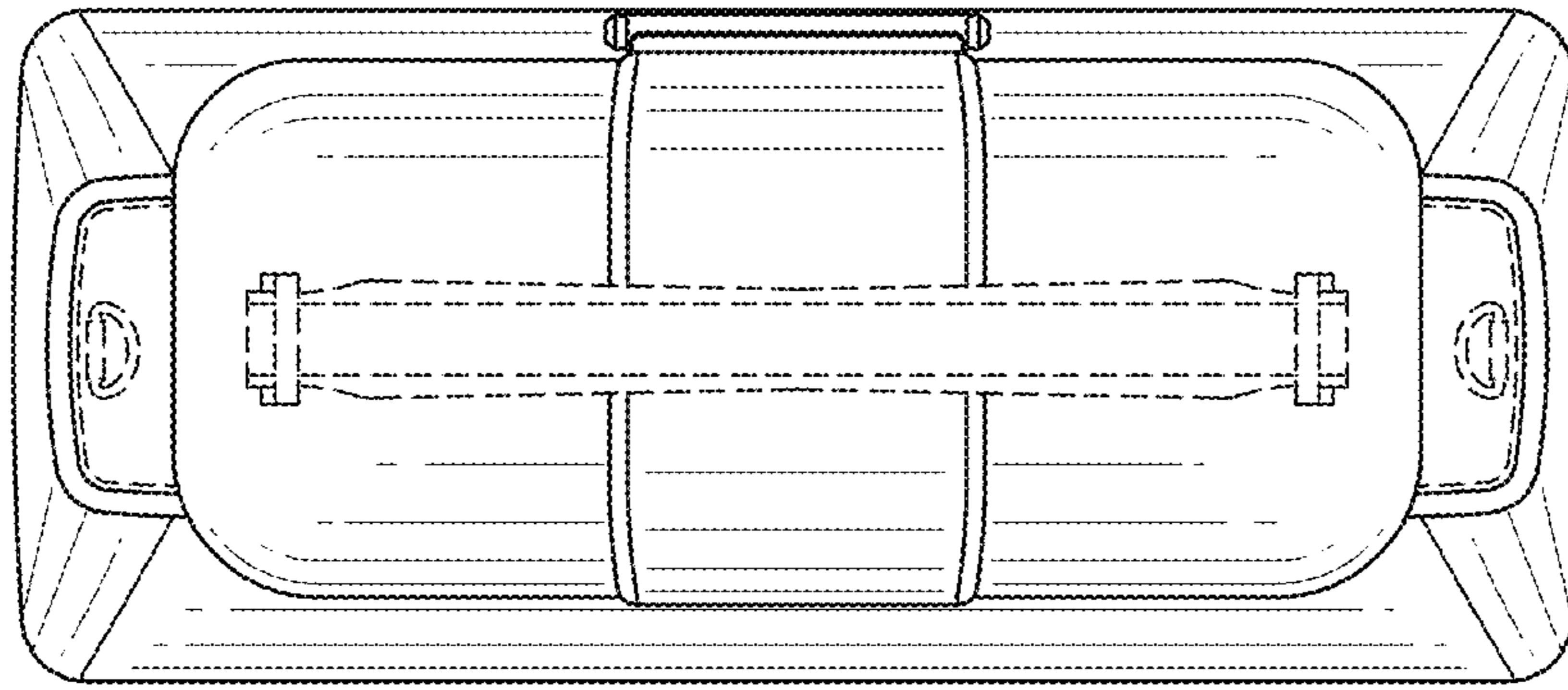


FIG. 6

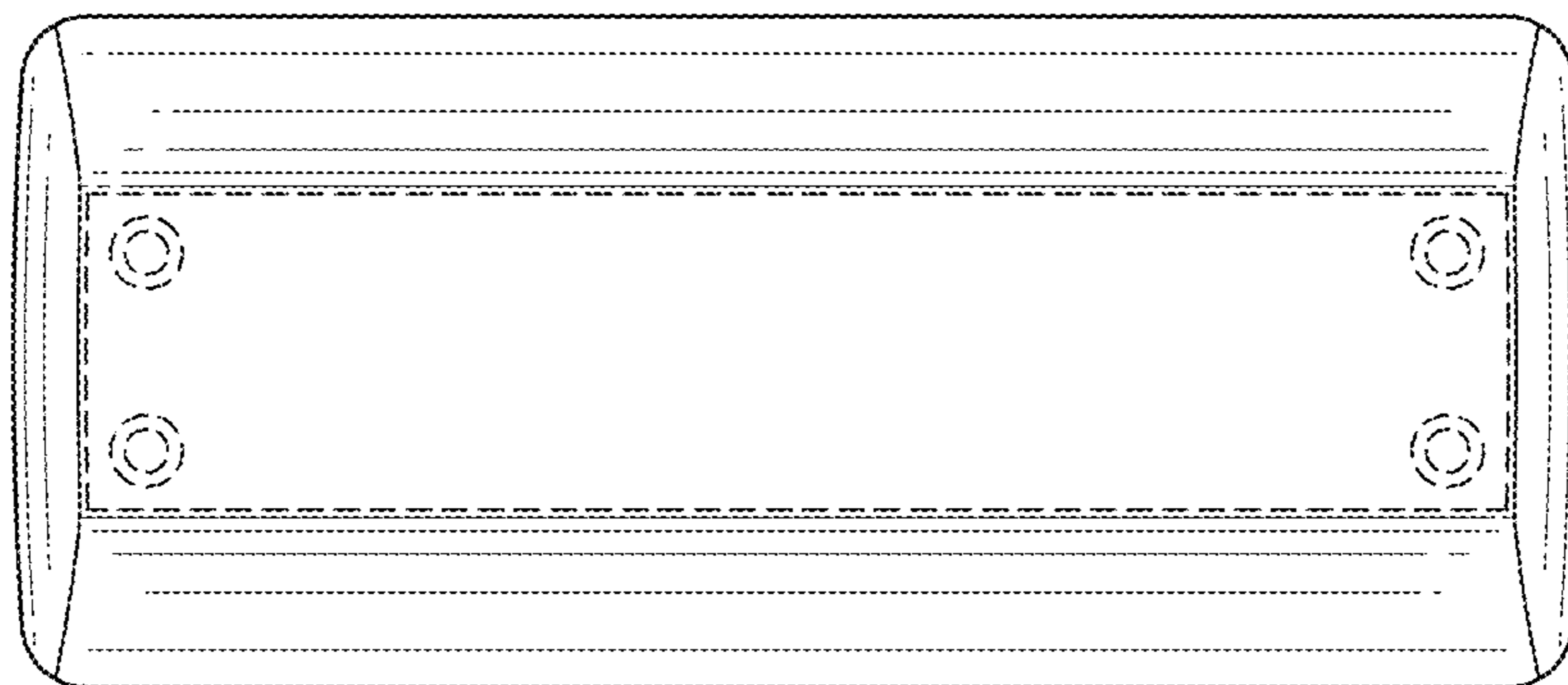


FIG. 7

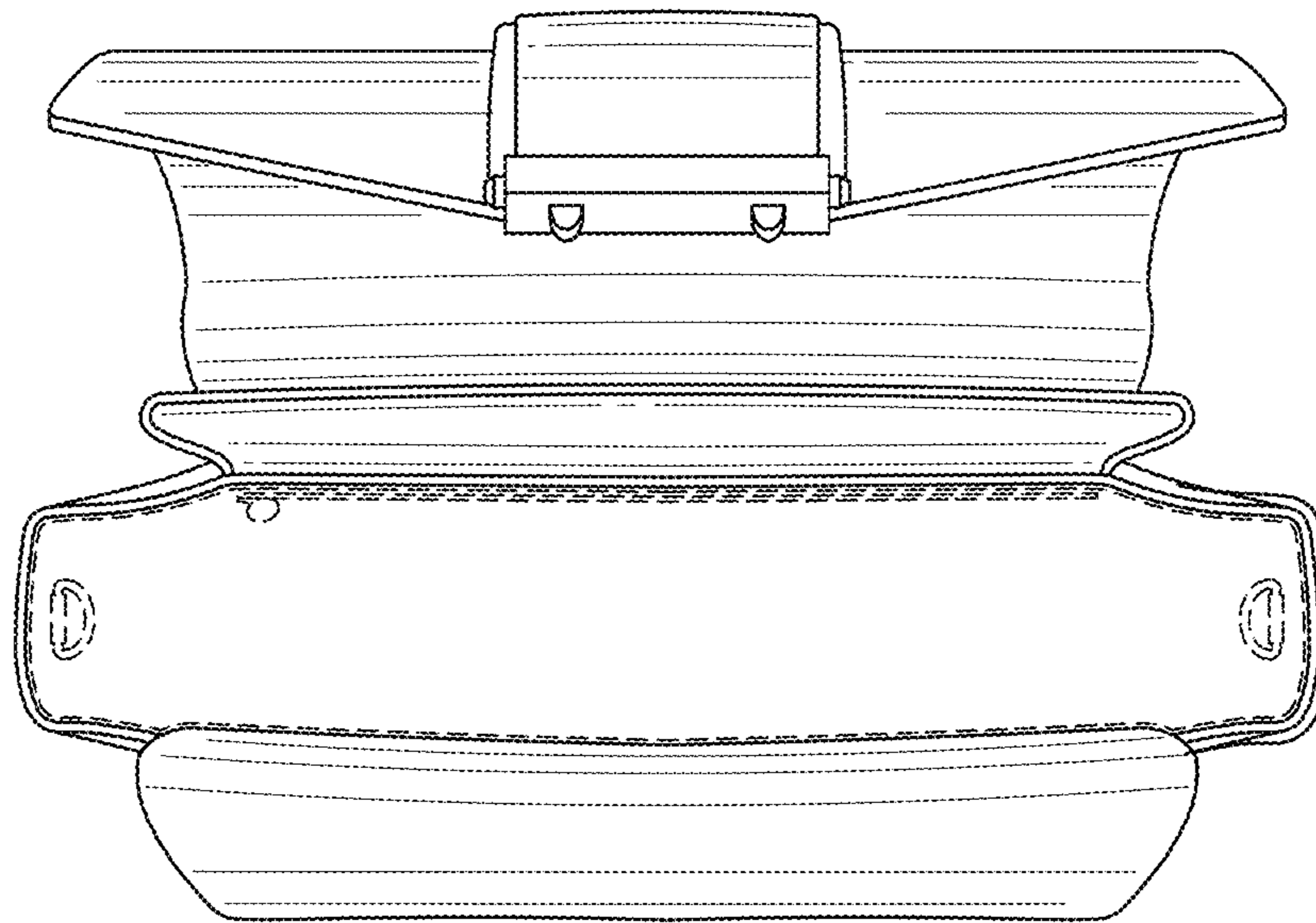


FIG. 8

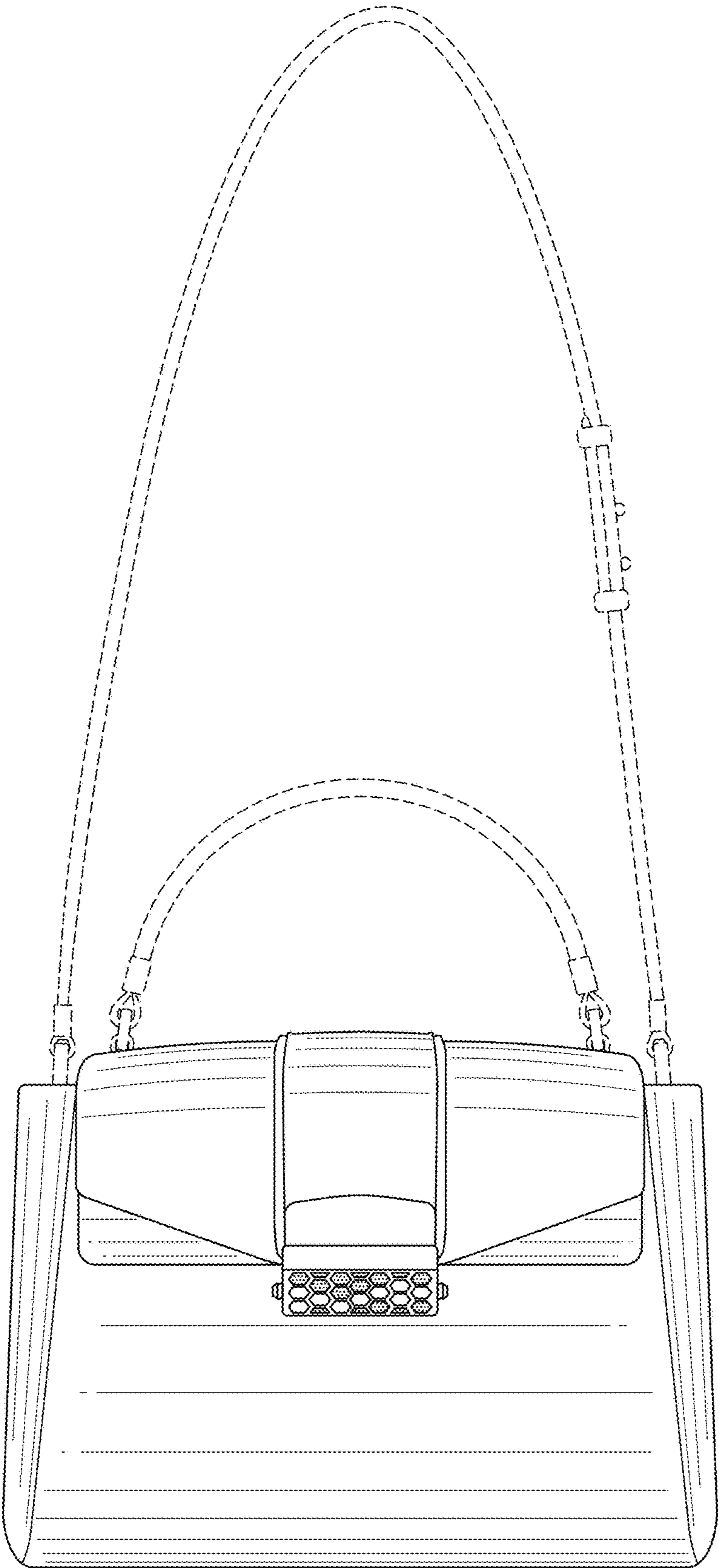


FIG. 9