



US00D810425S

(12) **United States Design Patent**
Faibish et al.

(10) **Patent No.:** **US D810,425 S**

(45) **Date of Patent:** **** Feb. 20, 2018**

(54) **TOOL POUCH**

(71) Applicant: **STANLEY BLACK & DECKER, INC.**, New Britain, CT (US)

(72) Inventors: **Abraham Faibish**, Tal Shahar (IL); **Mickey Menirom**, Raanana (IL); **Sivan Sasi**, Yehud (IL); **David Sosnovsky**, Tel Aviv (IL)

(73) Assignee: **STANLEY BLACK & DECKER INC.**, New Britain, CT (US)

(**) Term: **15 Years**

(21) Appl. No.: **35/001,073**

(22) Filed: **Aug. 31, 2015**

(80) **Hague Agreement Data**

Int. Filing Date: **Aug. 31, 2015**

Int. Reg. No.: **DM/091261**

Int. Reg. Date: **Aug. 31, 2015**

Int. Reg. Pub. Date: **Jul. 8, 2016**

(51) **LOC (11) Cl.** **03-01**

(52) **U.S. Cl.**
USPC **D3/228**

(58) **Field of Classification Search**

USPC D3/228, 224, 215, 221, 226, 247, 269,
D3/299, 273, 276, 289, 293, 290, 301,
D3/303, 318, 319; D9/702, 703, 705,
D9/707, 709, 710, 433, 901

CPC A47C 7/62; A47C 1/14; G09F 3/08; G09F
3/18; A45C 13/00; A45C 13/26; A45C
5/00

See application file for complete search history.

(56) **References Cited**

U.S. PATENT DOCUMENTS

D249,297 S * 9/1978 Hillinger D2/839
D254,103 S * 2/1980 Criswell D3/228

D254,758 S * 4/1980 Rodstein 224/904
D271,253 S * 11/1983 Abatie 224/673
D302,489 S * 8/1989 Stone D3/228
D316,185 S * 4/1991 Seber D3/228
D316,186 S * 4/1991 Seber D3/228
D316,485 S * 4/1991 Seber 224/904
D333,040 S * 2/1993 Dancyger D3/228
D348,778 S * 7/1994 Dancyger D3/224
D350,229 S * 9/1994 Dancyger D3/228
D350,849 S * 9/1994 Dancyger D3/224
D366,144 S * 1/1996 Alves D3/228
D375,404 S * 11/1996 Moffitt D3/228

(Continued)

Primary Examiner — Barbara Fox

Assistant Examiner — Holly E Thurman

(74) *Attorney, Agent, or Firm* — Carl E. Myers

(57) **CLAIM**

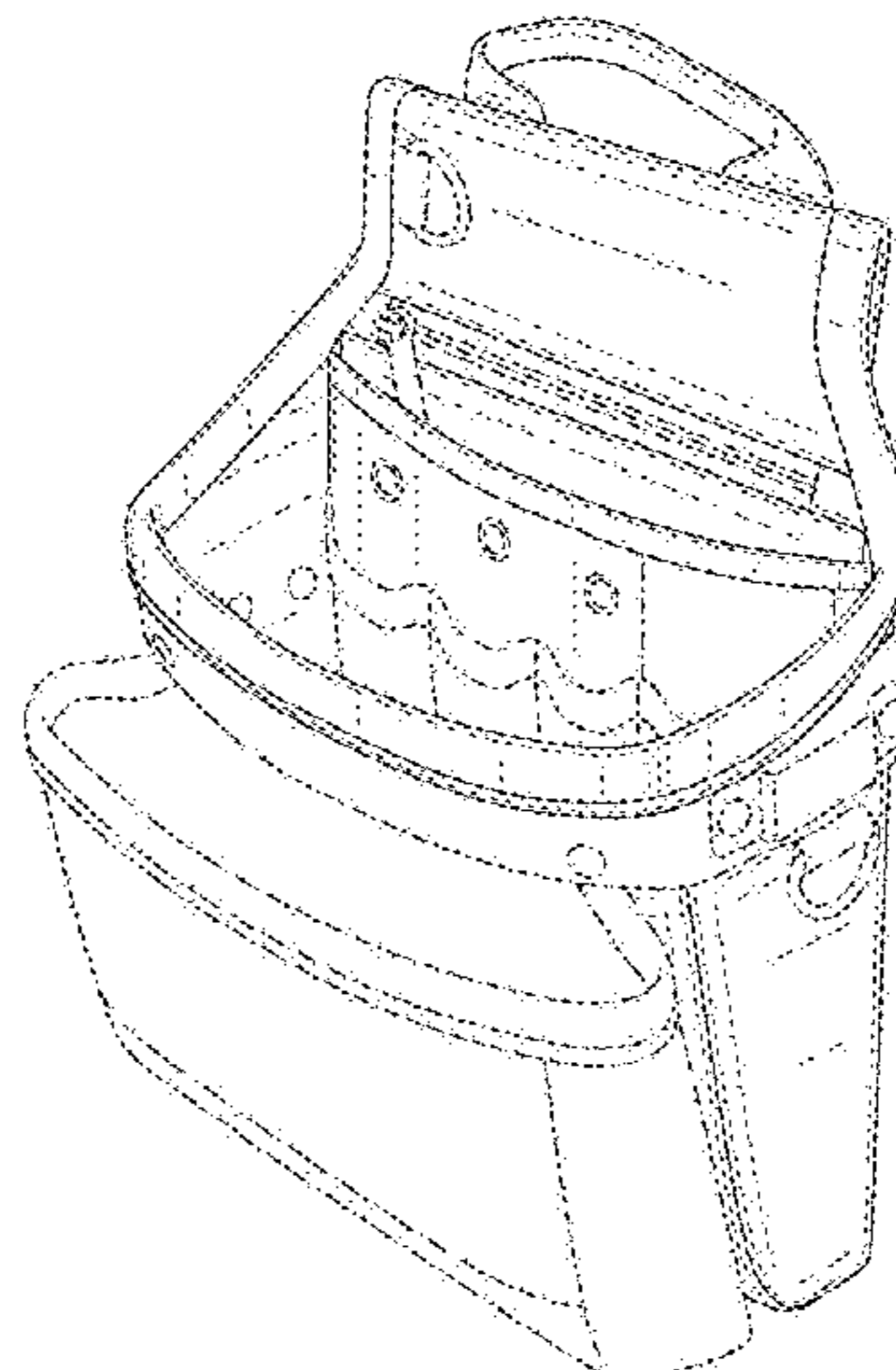
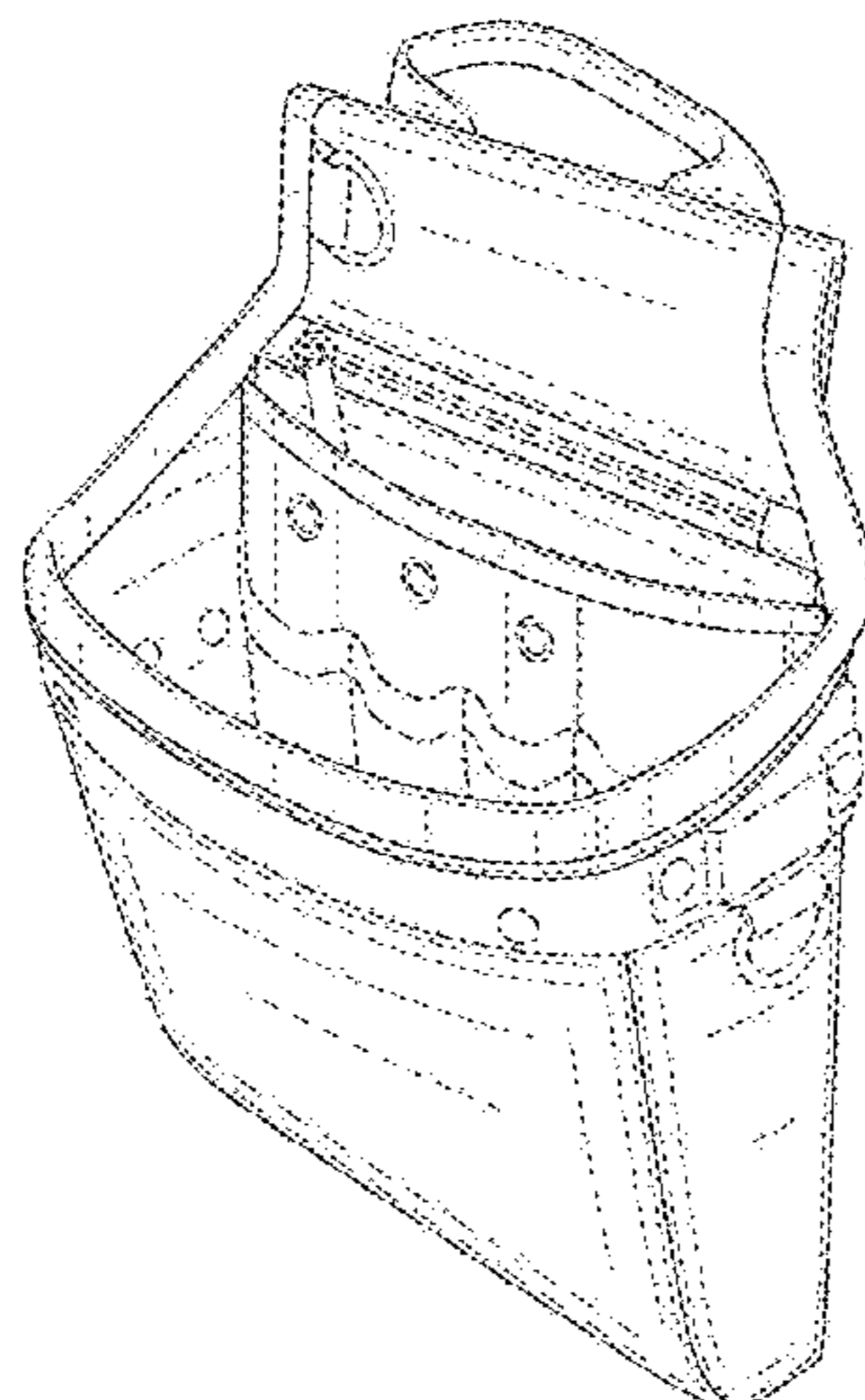
The ornamental design for tool pouch, as shown and described.

DESCRIPTION

- 2. Tool pouch
- 2.1 : Perspective
- 2.2 : Front
- 2.3 : Back
- 2.4 : Right
- 2.5 : Left
- 2.6 : Top
- 2.7 : Bottom
- 2.8 : Perspective
- 2.9 : Front
- 2.10 : Back
- 2.11 : Right
- 2.12 : Left
- 2.13 : Top
- 2.14 : Bottom

The dashed lines in the drawings showing an external pouch in FIGS. 2.8-2.14 depict environmental subject matter, while the remaining dashed lines depict portions of the tool pouch. The dashed lines form no part of the claimed design.

1 Claim, 14 Drawing Sheets



(56)

References Cited

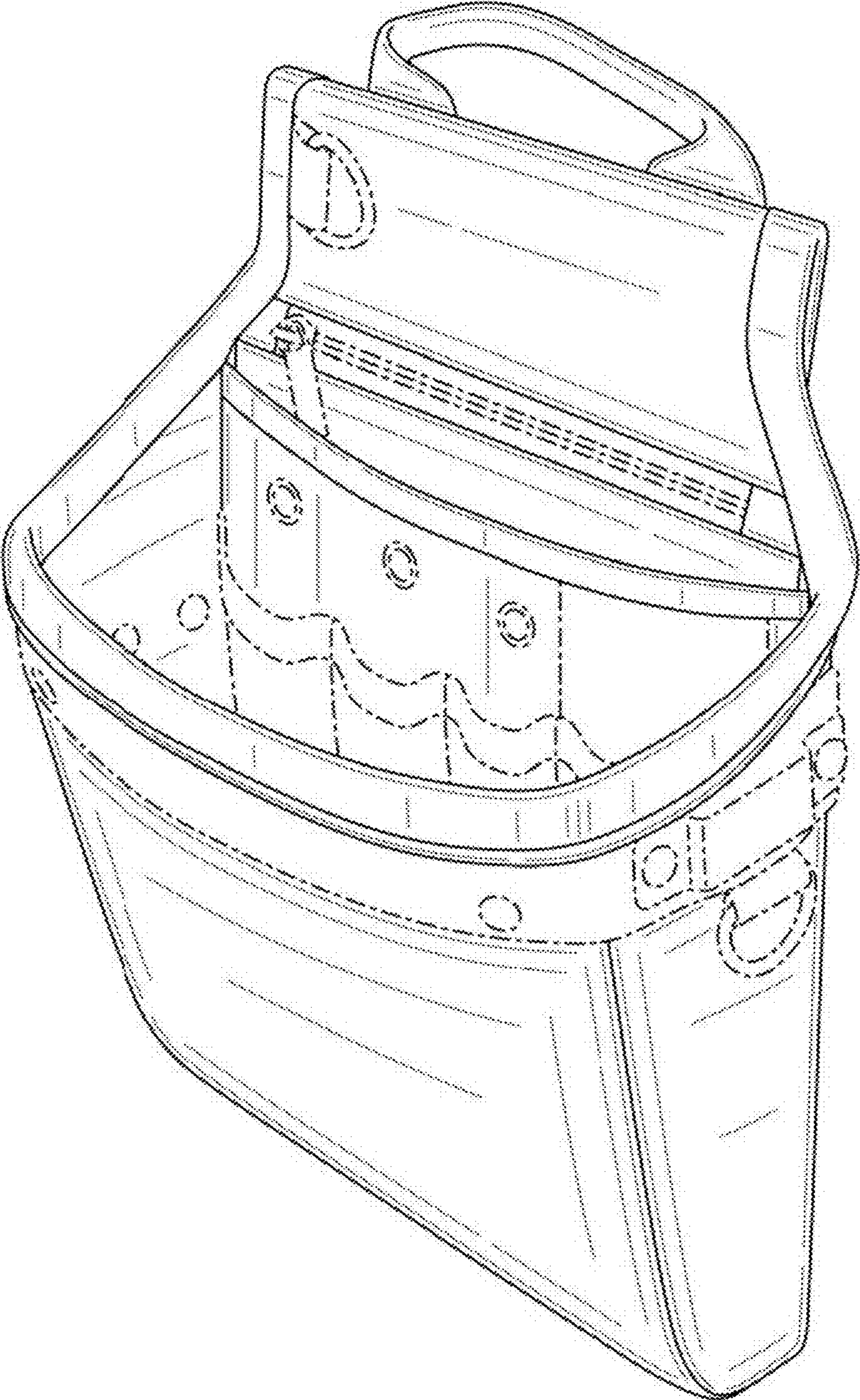
U.S. PATENT DOCUMENTS

D381,804 S * 8/1997 Dancyger D3/228
 D418,291 S * 1/2000 Dancyger D3/228
 D423,773 S * 5/2000 Dancyger D3/228
 D431,104 S * 9/2000 Dancyger D3/228
 D438,701 S * 3/2001 Dancyger D3/228
 D443,411 S * 6/2001 Snider D3/228
 D445,248 S * 7/2001 Snider D3/228
 D448,162 S * 9/2001 Snider D3/228
 D448,556 S * 10/2001 Snider D3/228
 D450,449 S * 11/2001 Godshaw D3/228
 D451,276 S * 12/2001 Nigh D3/228
 D455,900 S * 4/2002 Tecson D3/228
 D455,901 S * 4/2002 Snider D3/228
 D464,483 S * 10/2002 Bloch D3/228
 D480,867 S * 10/2003 Snider D3/228
 D481,535 S * 11/2003 Cabrera D3/228
 D482,196 S * 11/2003 Cabrera D3/228
 D482,524 S * 11/2003 Cabrera D3/228

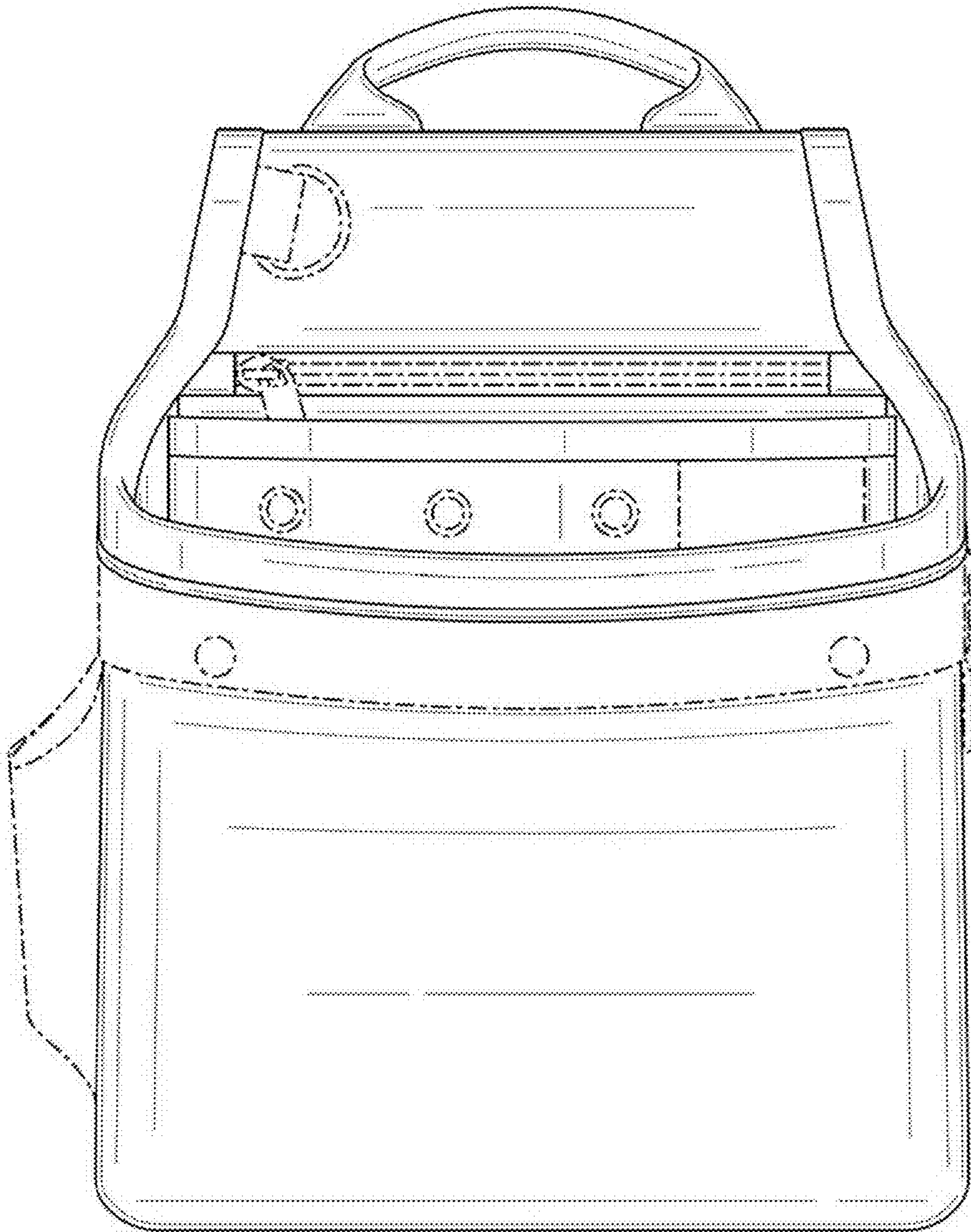
D487,630 S * 3/2004 Martin D3/228
 D500,592 S * 1/2005 Thayer D3/228
 D530,506 S * 10/2006 Thurner D3/228
 D545,565 S * 7/2007 Newman D3/228
 D583,549 S * 12/2008 Schuyler D3/228
 D692,231 S * 10/2013 Moreau A45F 5/02
 D720,529 S * 1/2015 Hintze D3/228
 D723,266 S * 3/2015 Kinskey D3/228
 D723,797 S * 3/2015 Hassler D3/228
 D743,695 S * 11/2015 Hassler D3/228
 D750,371 S * 3/2016 Kinskey D3/228
 D770,762 S * 11/2016 Mathews, Jr. D3/228
 D771,937 S * 11/2016 Kinskey D3/228
 D771,938 S * 11/2016 Kinskey D3/228
 D771,939 S * 11/2016 Kinskey D3/228
 D774,298 S * 12/2016 Mathews, Jr. D3/228
 D779,194 S * 2/2017 Kinskey D3/228
 D779,195 S * 2/2017 Kinskey D3/228
 D779,196 S * 2/2017 Kinskey D3/228
 D779,818 S * 2/2017 Kinskey D3/228

* cited by examiner

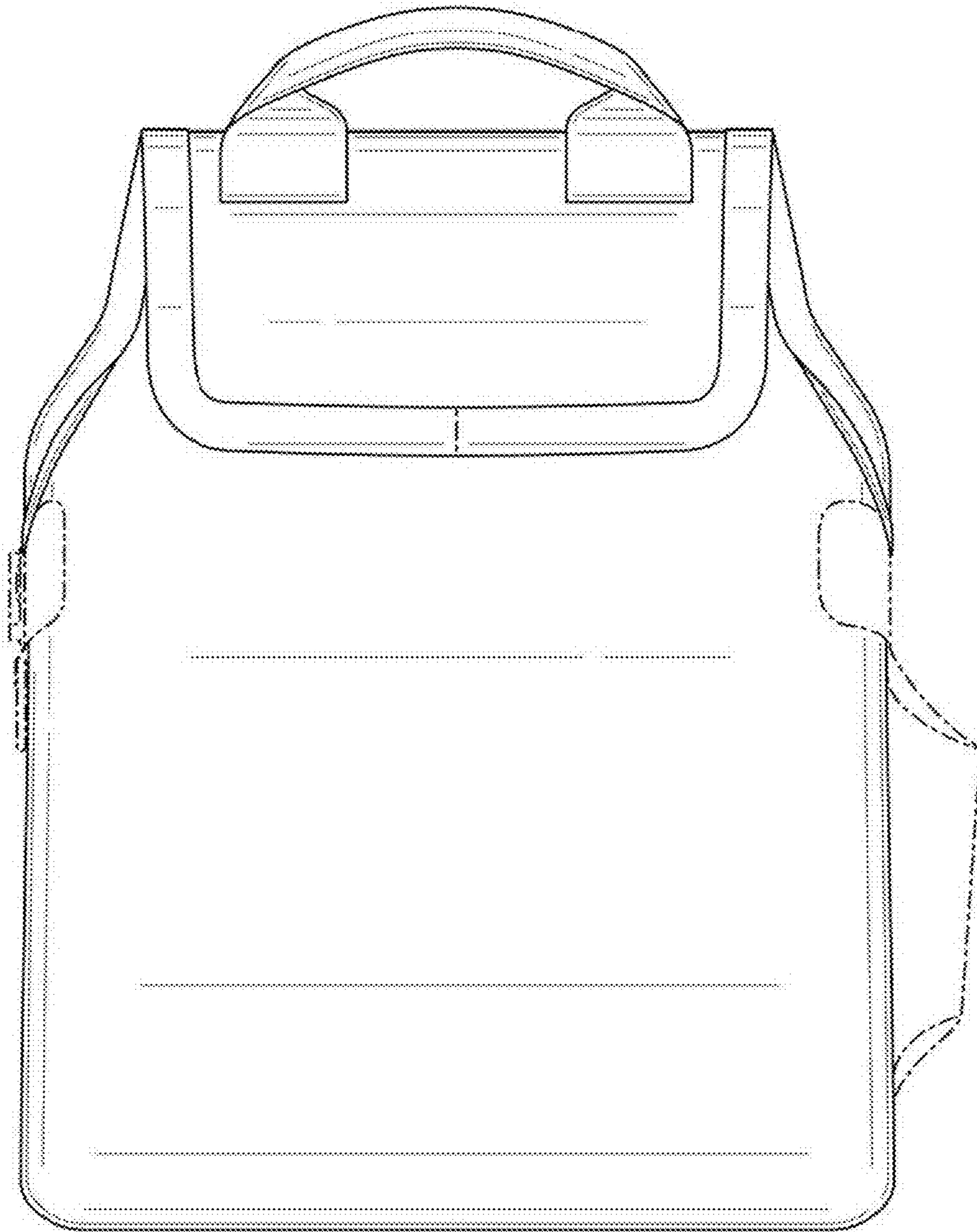
2.1



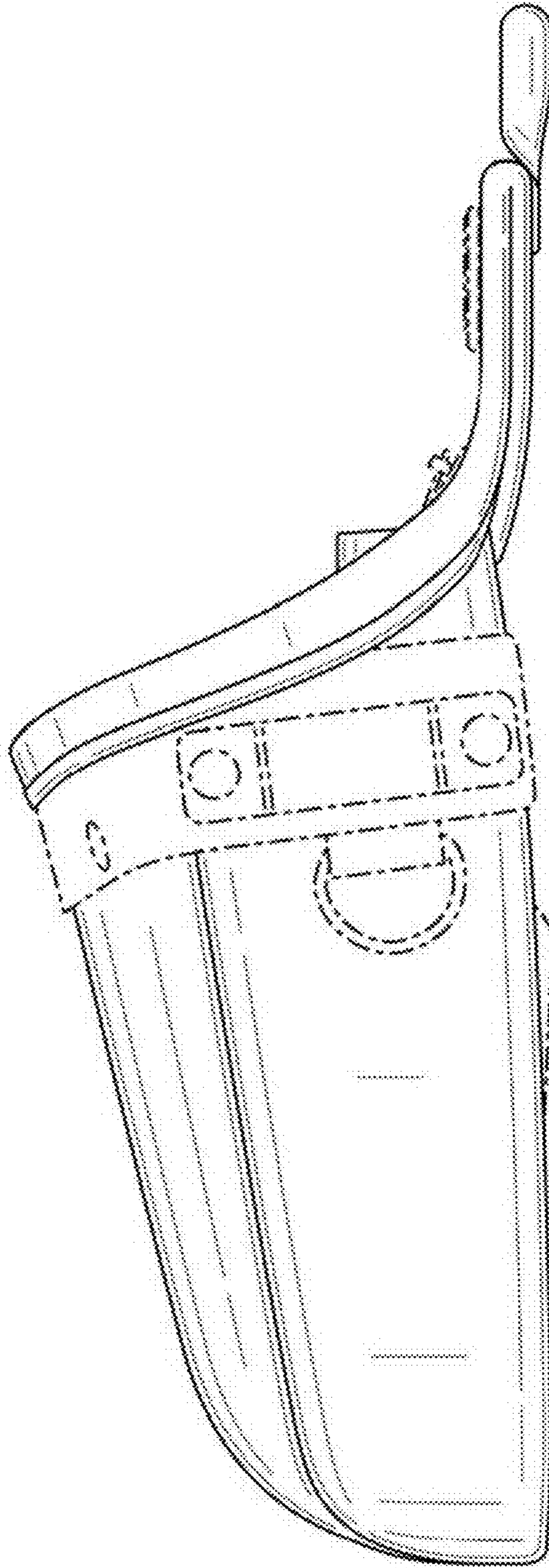
2.2



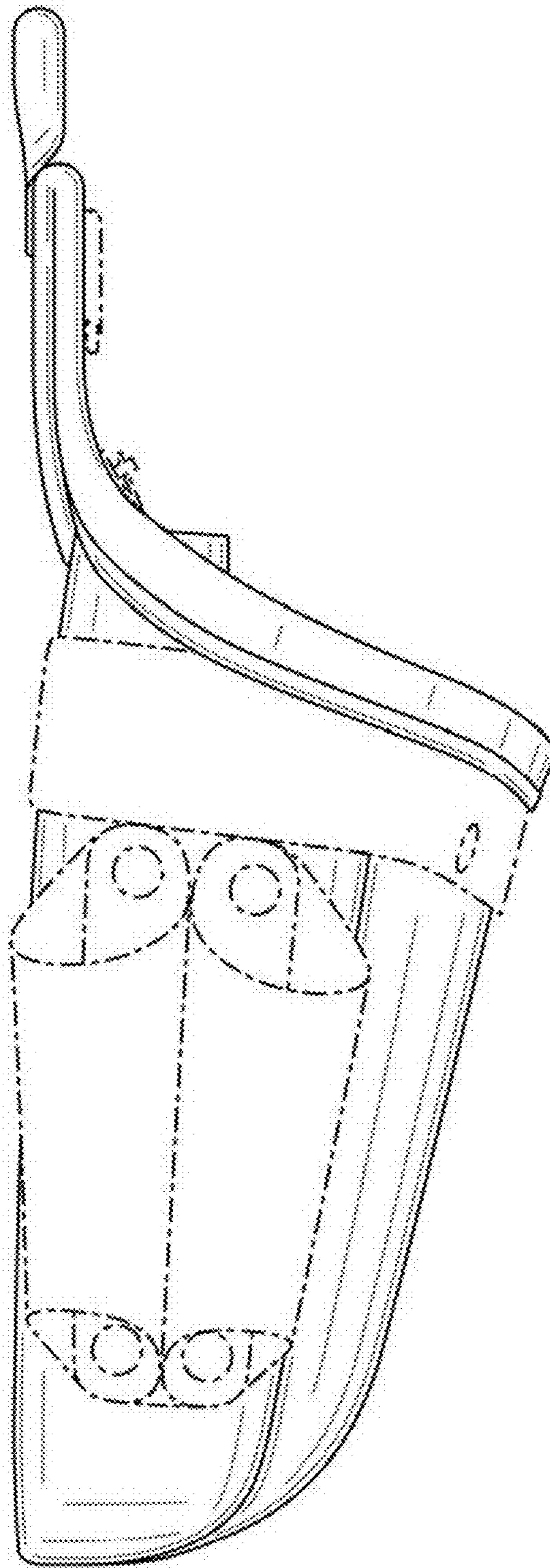
2.3



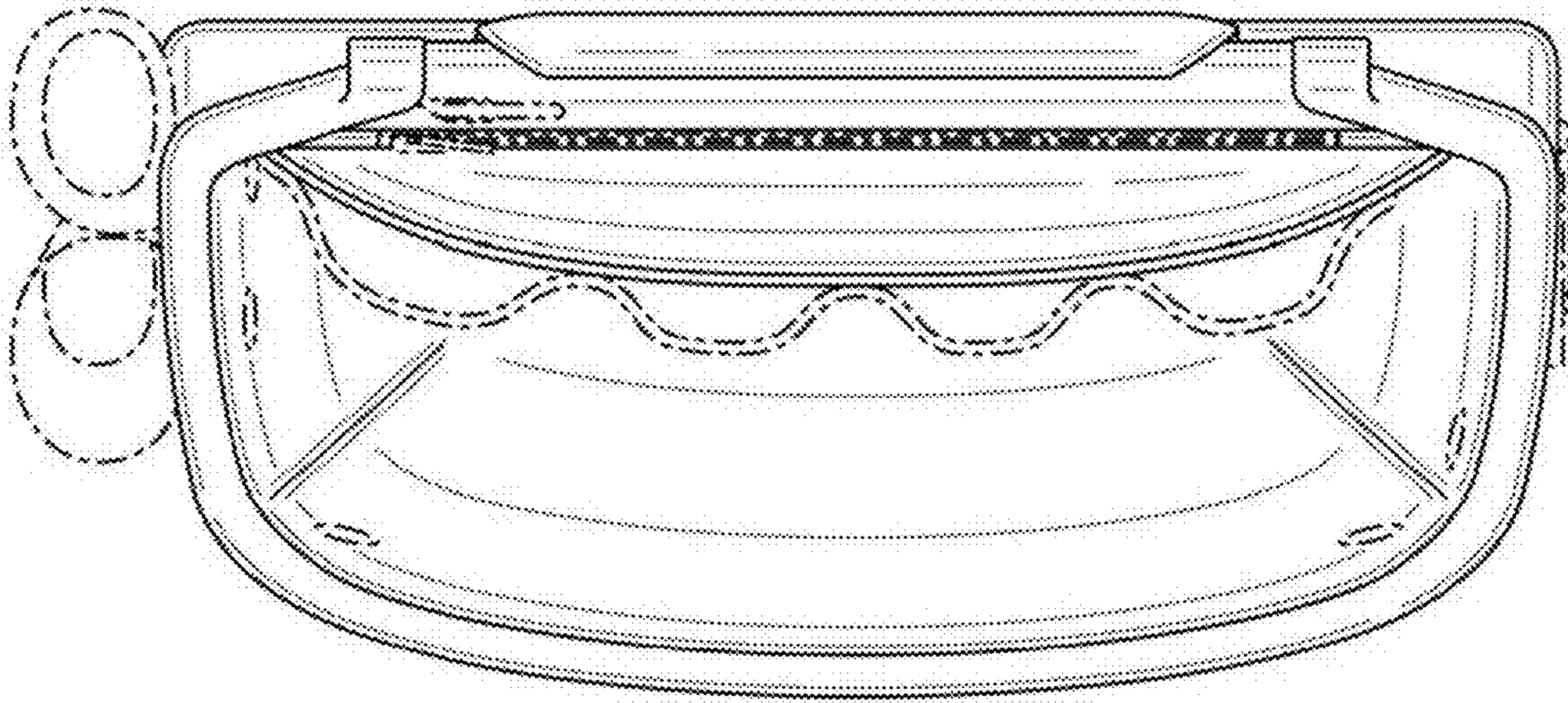
2.4



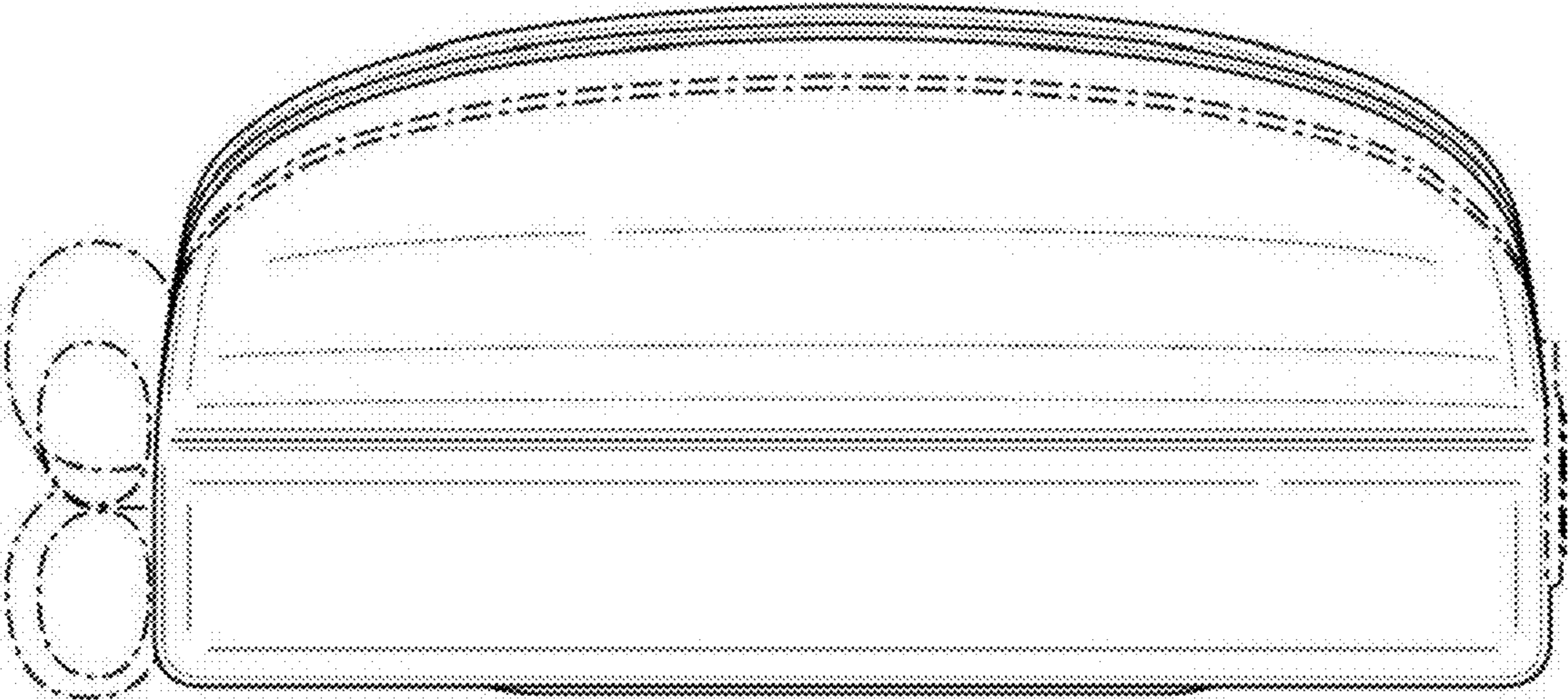
2.5



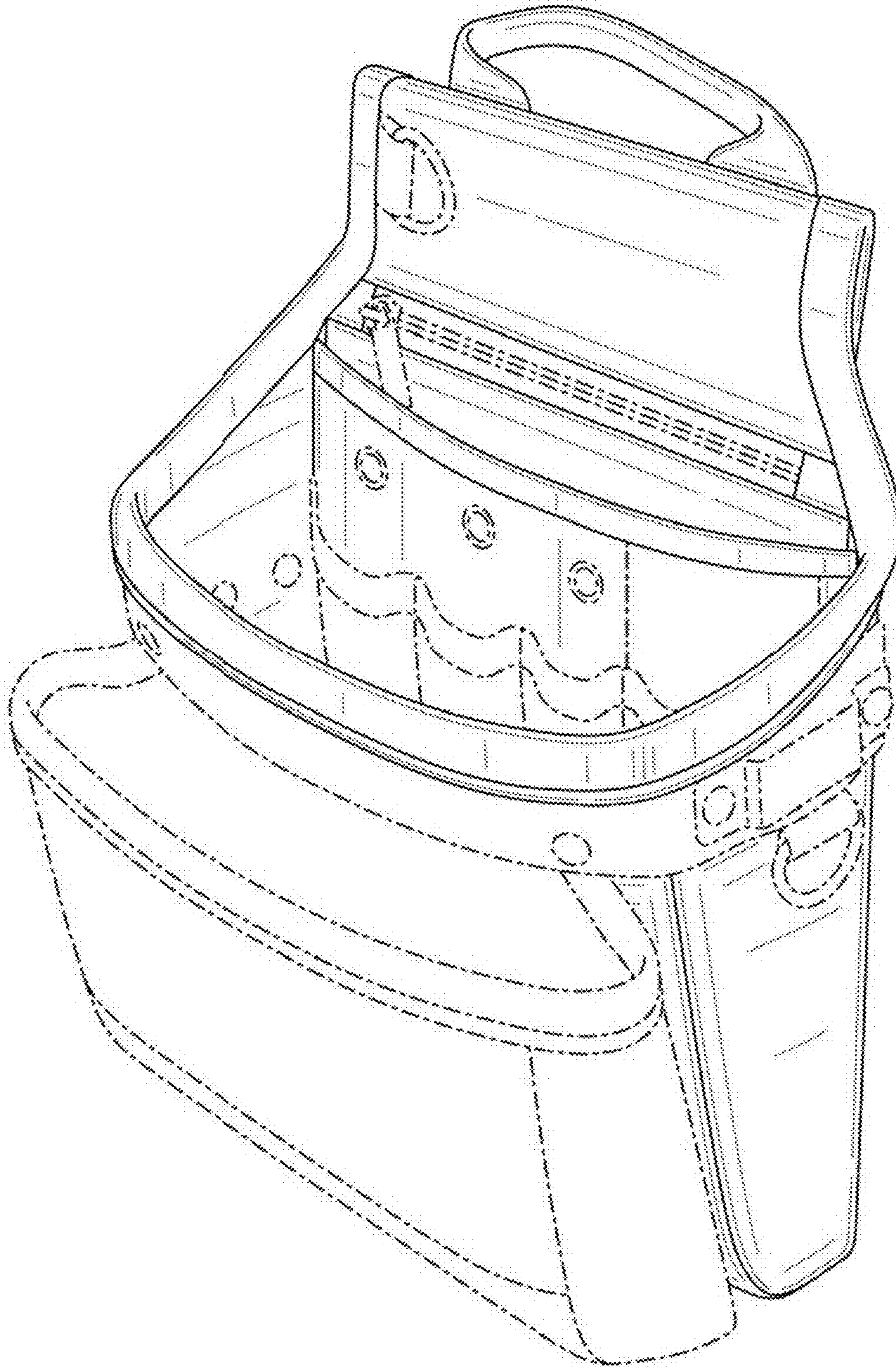
2.6



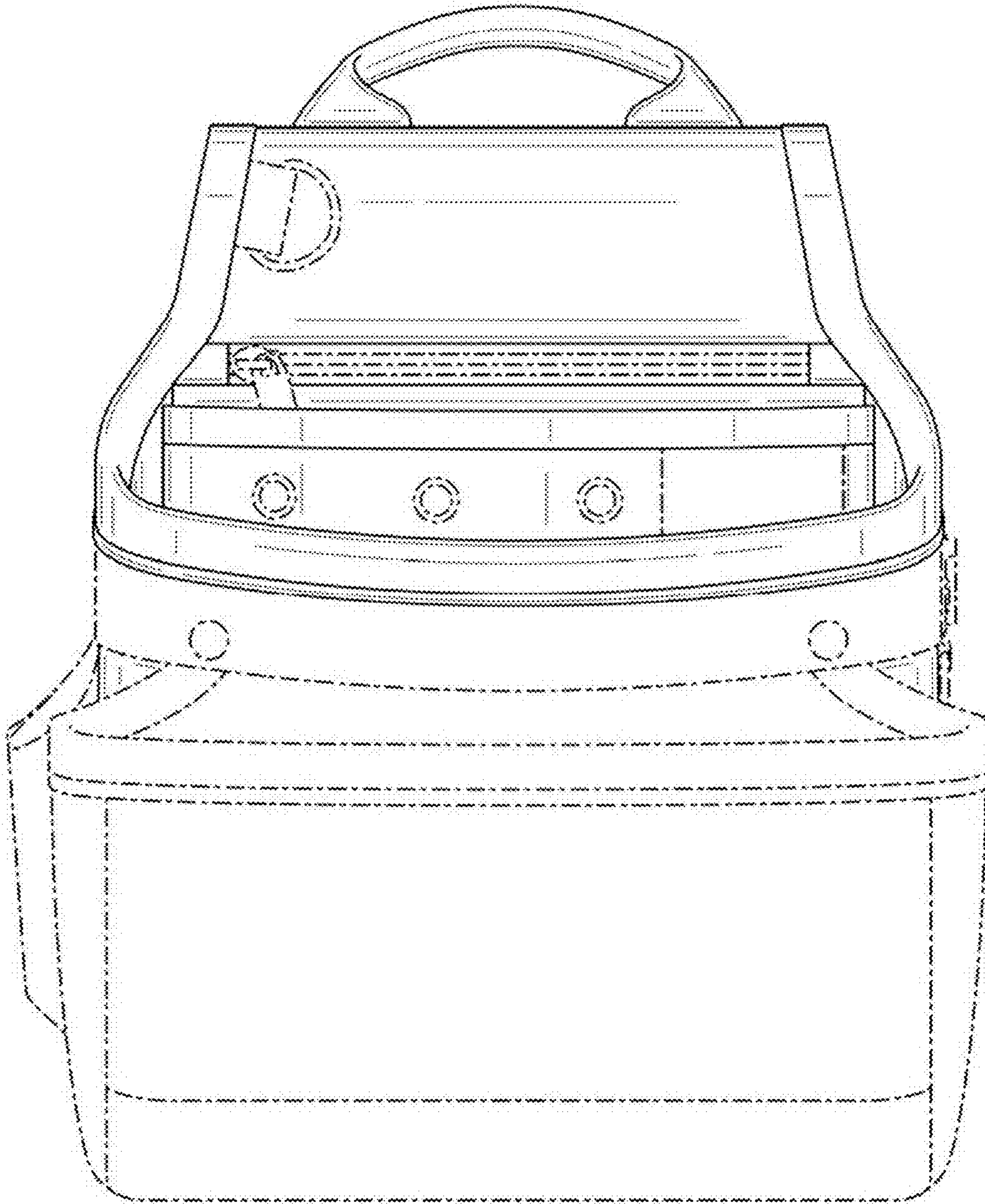
2.7



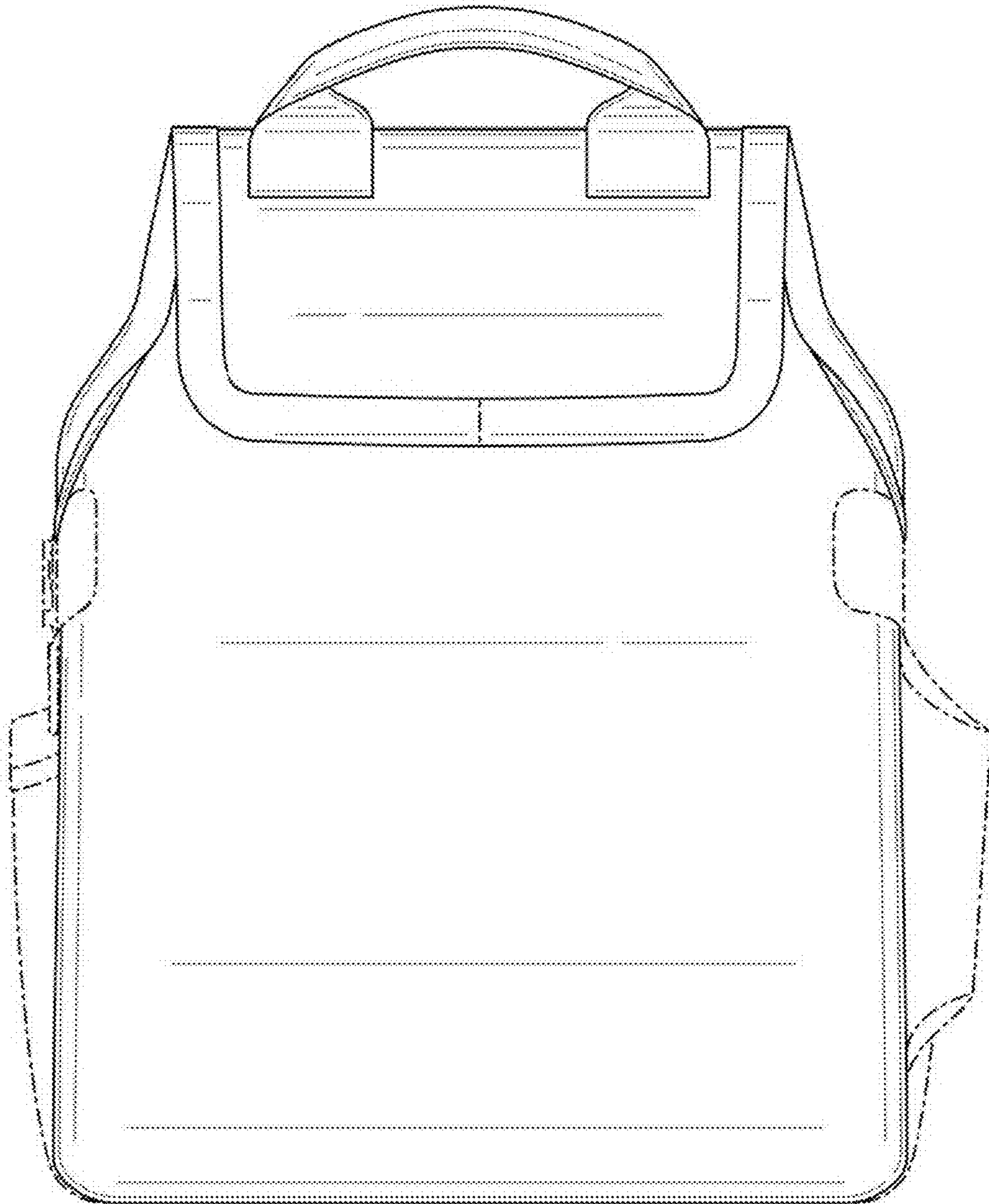
2.8



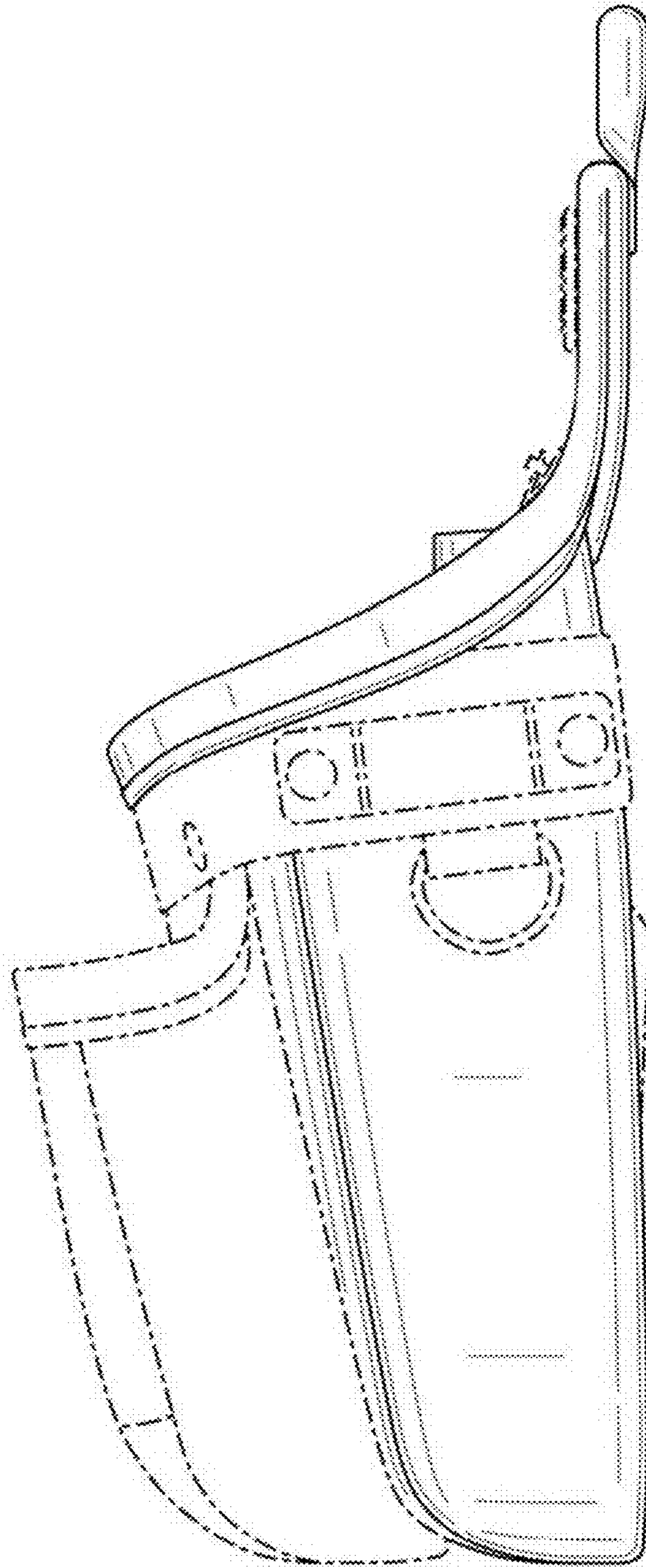
2.9



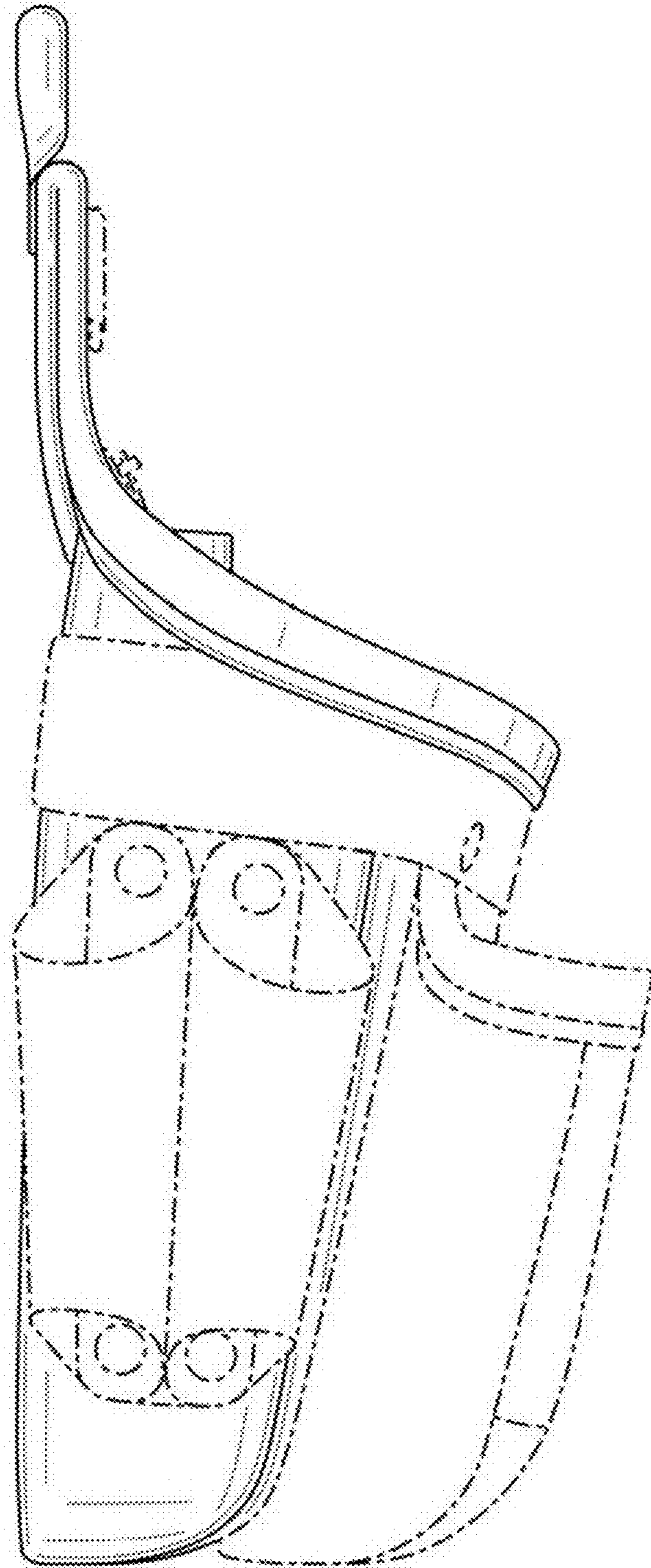
2.10



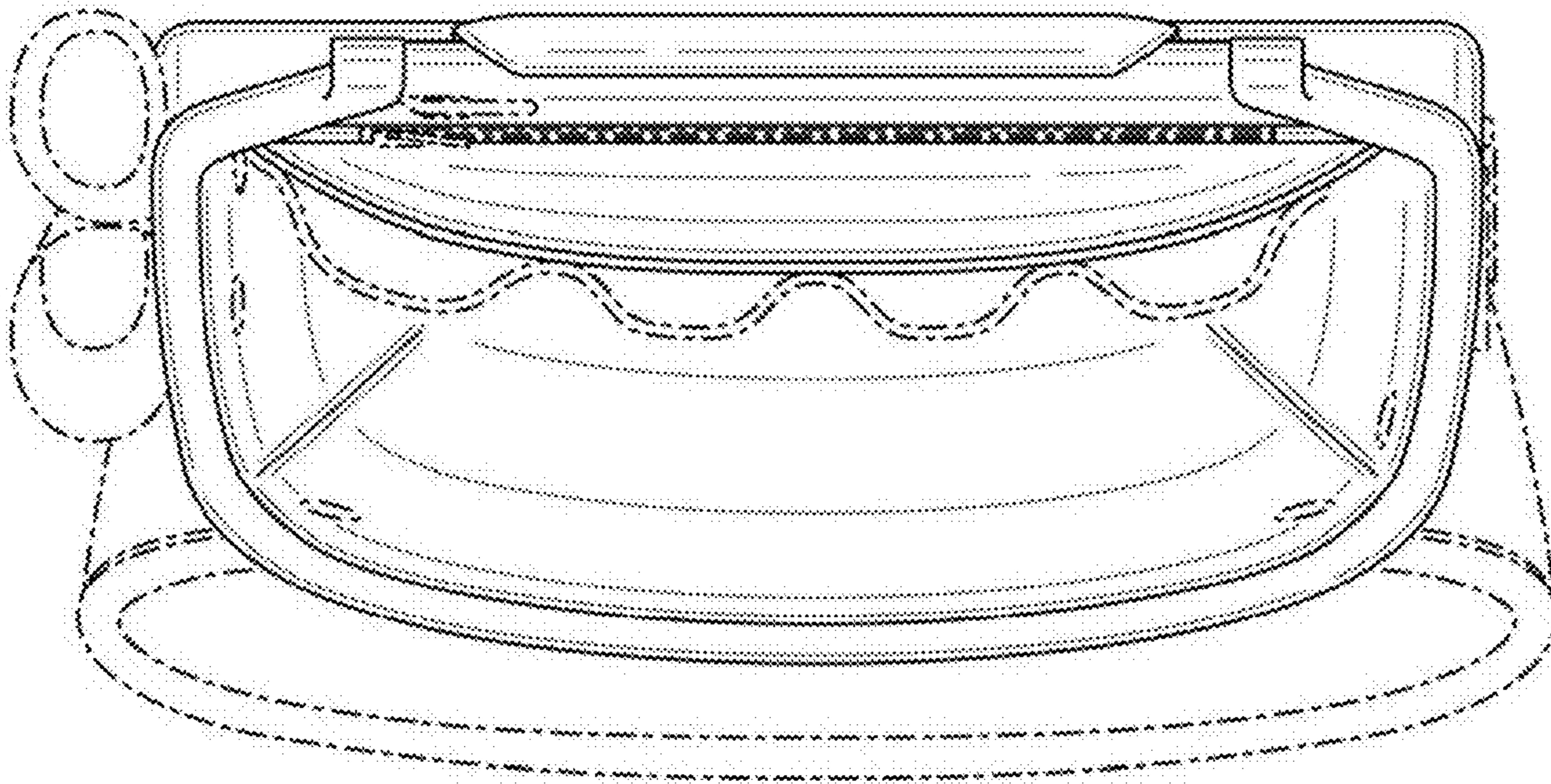
2.11



2.12



2.13



2.14

