



US00D810424S

(12) **United States Design Patent**  
**Tobias**

(10) **Patent No.:** **US D810,424 S**

(45) **Date of Patent:** **\*\* Feb. 20, 2018**

(54) **BACKPACK**

(71) Applicant: **PUSSER'S (2001) LTD.**, Tortola (VG)

(72) Inventor: **Charles Tobias**, Tortola (VG)

(73) Assignee: **PUSSERS IP HOLDINGS LTD.**, Road Town, Tortola (VG)

(\*\*) Term: **15 Years**

(21) Appl. No.: **29/561,466**

(22) Filed: **Apr. 15, 2016**

(51) **LOC (11) Cl.** ..... **03-01**

(52) **U.S. Cl.**  
USPC ..... **D3/217**

(58) **Field of Classification Search**  
USPC ..... D3/201, 213-219, 221, 224, 225, 229,  
D3/230, 232, 243-246, 254, 318  
CPC ..... A45F 3/04; A45F 4/02; A45F 2200/0525;  
A45F 2003/045; A45C 11/00; A45C  
13/30; A45C 2011/002; A45C 2011/003;  
A45C 2011/001; A45C 15/00  
See application file for complete search history.

(56) **References Cited**

**U.S. PATENT DOCUMENTS**

D275,622 S *	9/1984	Pierce	.....	D3/217
D396,745 S *	8/1998	Peterson	.....	D3/216
D517,800 S *	3/2006	de Baschmakoff	.....	D3/216
D543,021 S *	5/2007	Lee	.....	D3/216
D616,196 S *	5/2010	Walsh	.....	D3/217

D624,312 S *	9/2010	Chu	.....	D3/243
D641,973 S *	7/2011	Quehl	.....	D3/217
D690,095 S *	9/2013	Garcia	.....	D3/217
D746,049 S *	12/2015	Zwetzig	.....	D3/217
2005/0061844 A1 *	3/2005	Haro	.....	A45C 13/04 224/639
2008/0029562 A1 *	2/2008	Hawkins	.....	A45F 3/04 224/153

\* cited by examiner

*Primary Examiner* — George D. Kirschbaum

*Assistant Examiner* — Jennifer L. Watkins

(74) *Attorney, Agent, or Firm* — Birch, Stewart, Kolasch & Birch, LLP

(57) **CLAIM**

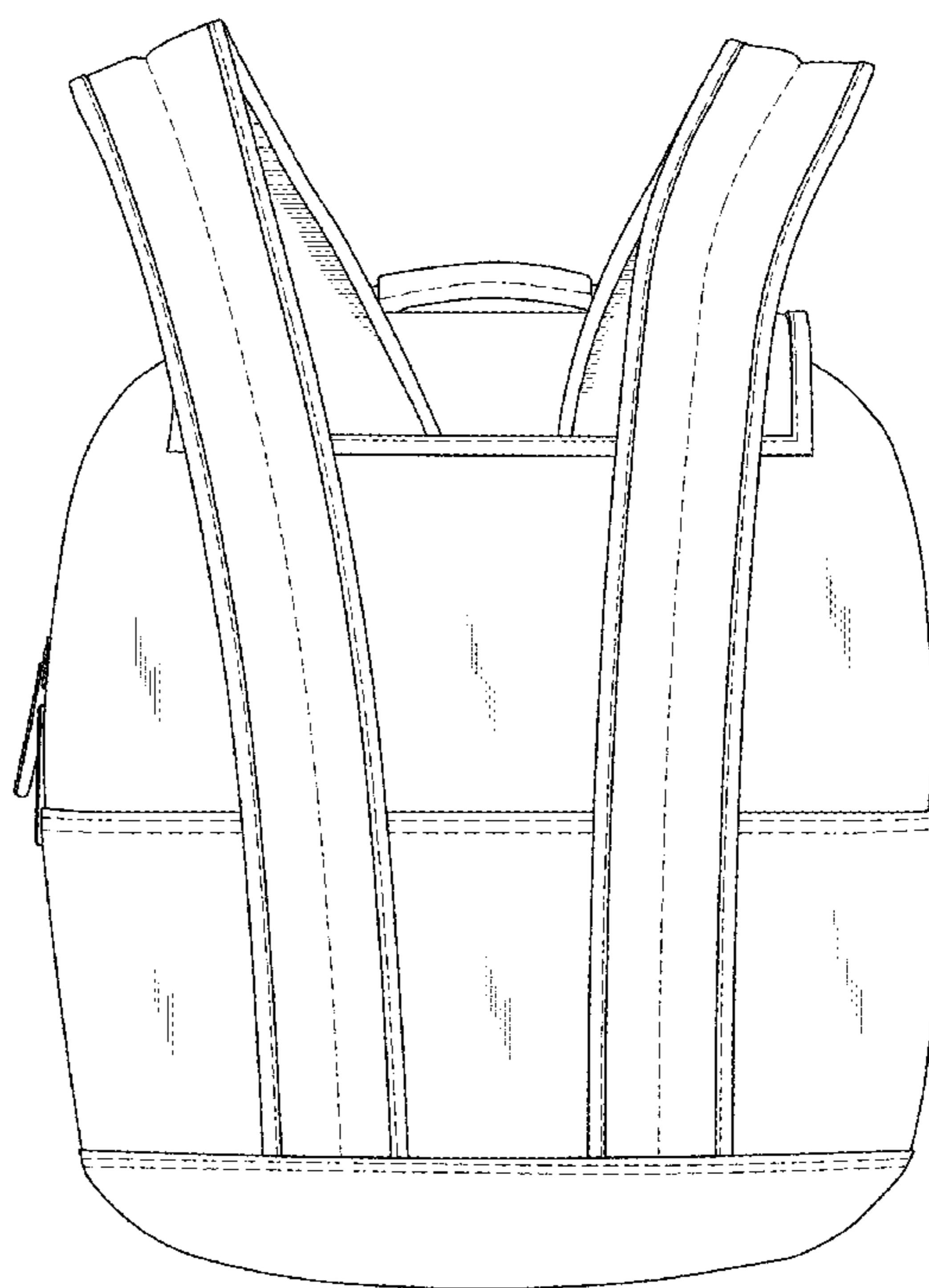
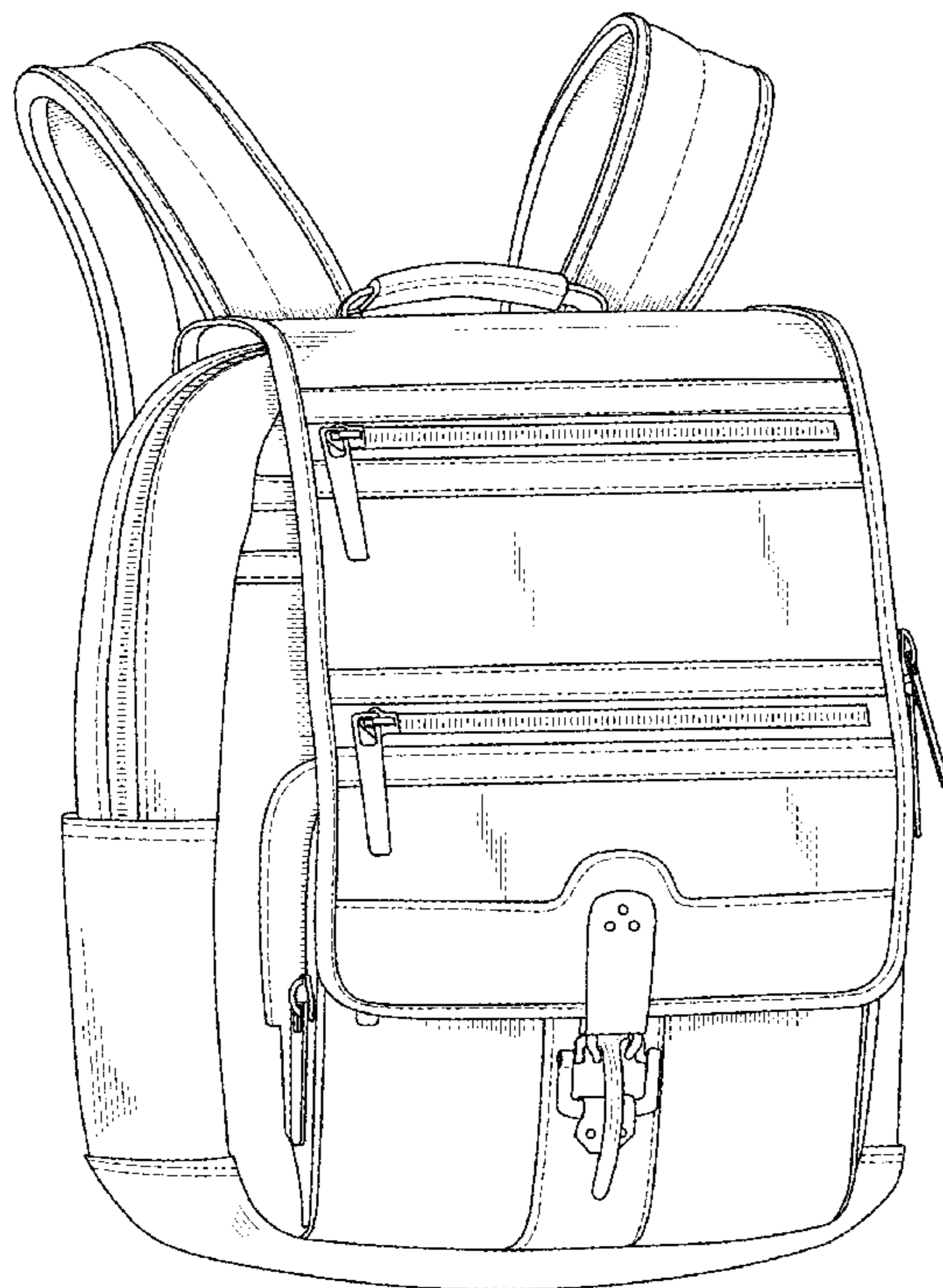
The ornamental design for a backpack, as shown and described.

**DESCRIPTION**

FIG. 1 is a front perspective view of a backpack showing my new design;  
FIG. 2 is a front elevational view thereof;  
FIG. 3 is a front elevational view thereof with the closure flap in an open position;  
FIG. 4 is a rear elevational thereof;  
FIG. 5 is a left side elevational view thereof;  
FIG. 6 is a right side elevational view thereof;  
FIG. 7 is a top plan view thereof; and,  
FIG. 8 is a bottom plan view thereof.

The broken lines in the figures are for the purpose of illustrating claimed stitching.

**1 Claim, 7 Drawing Sheets**



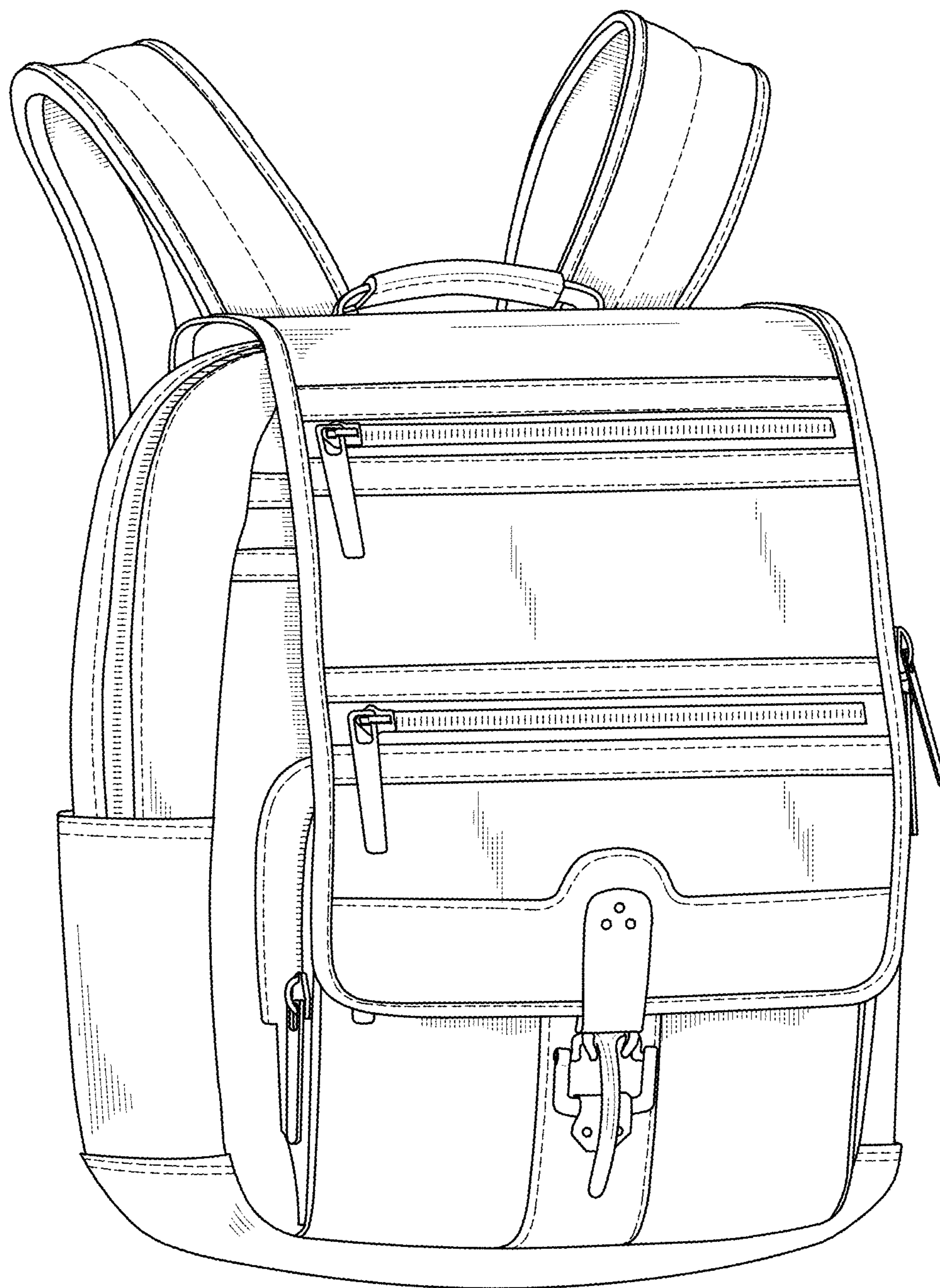


FIG. 1

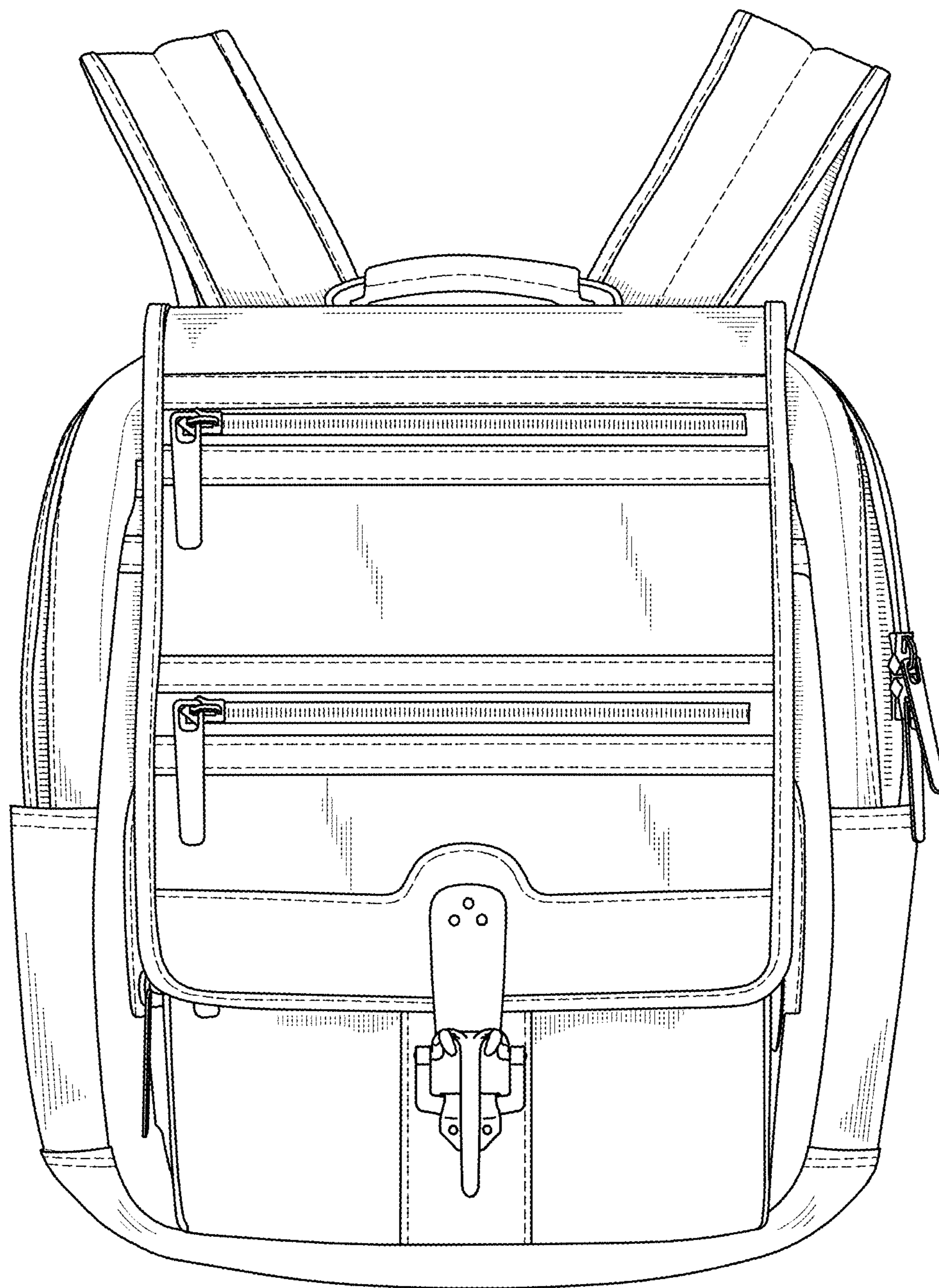


FIG. 2

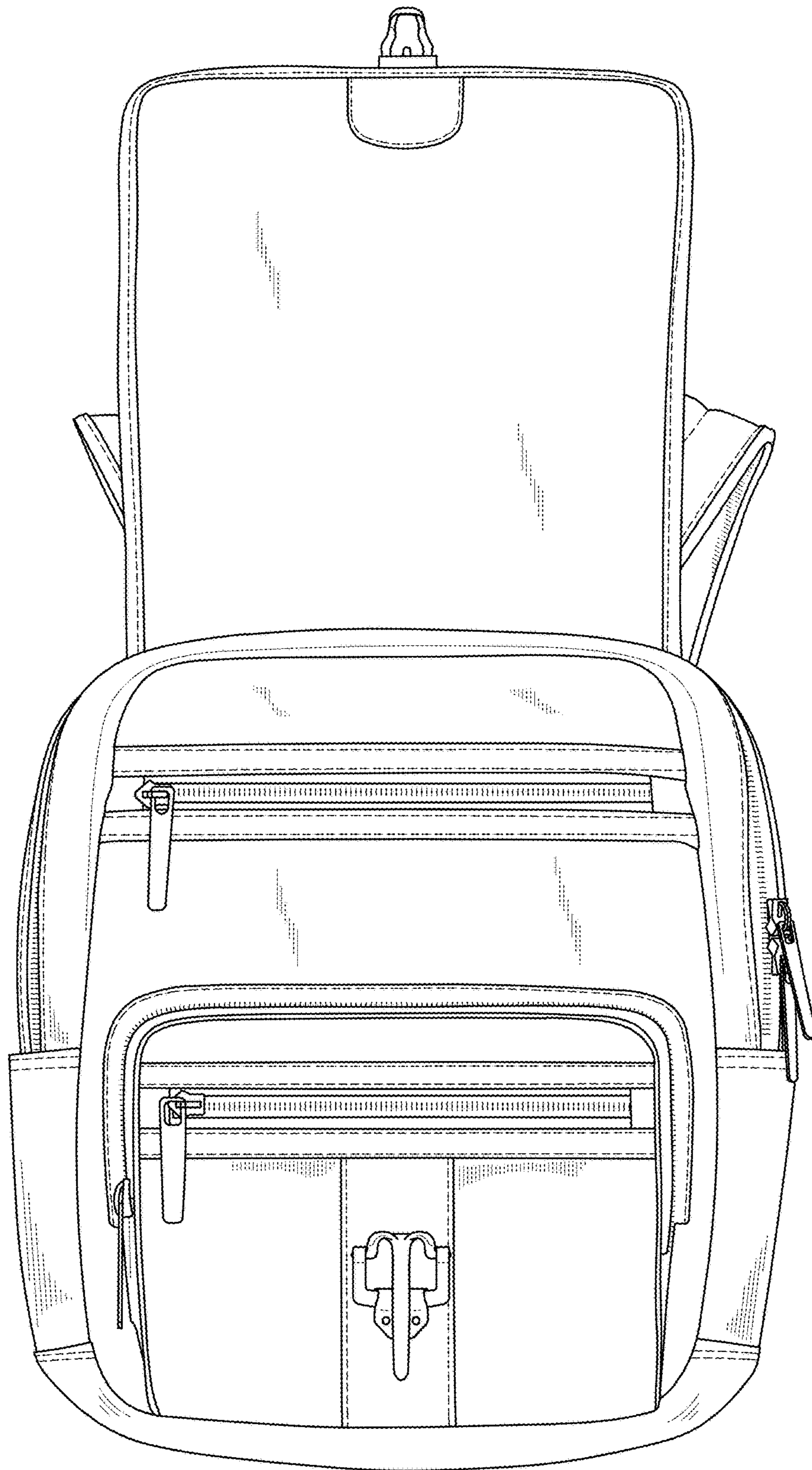


FIG. 3

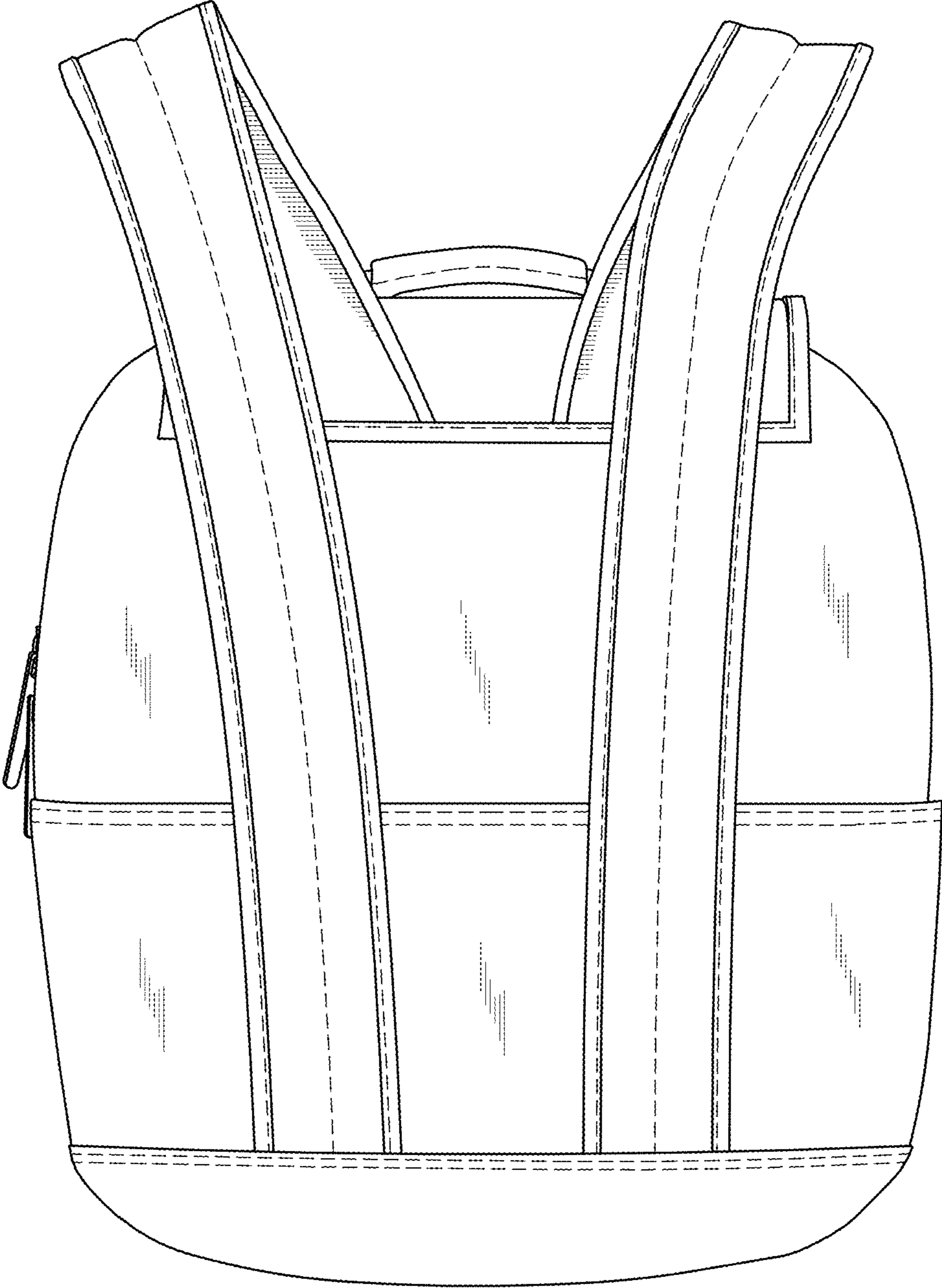


FIG. 4

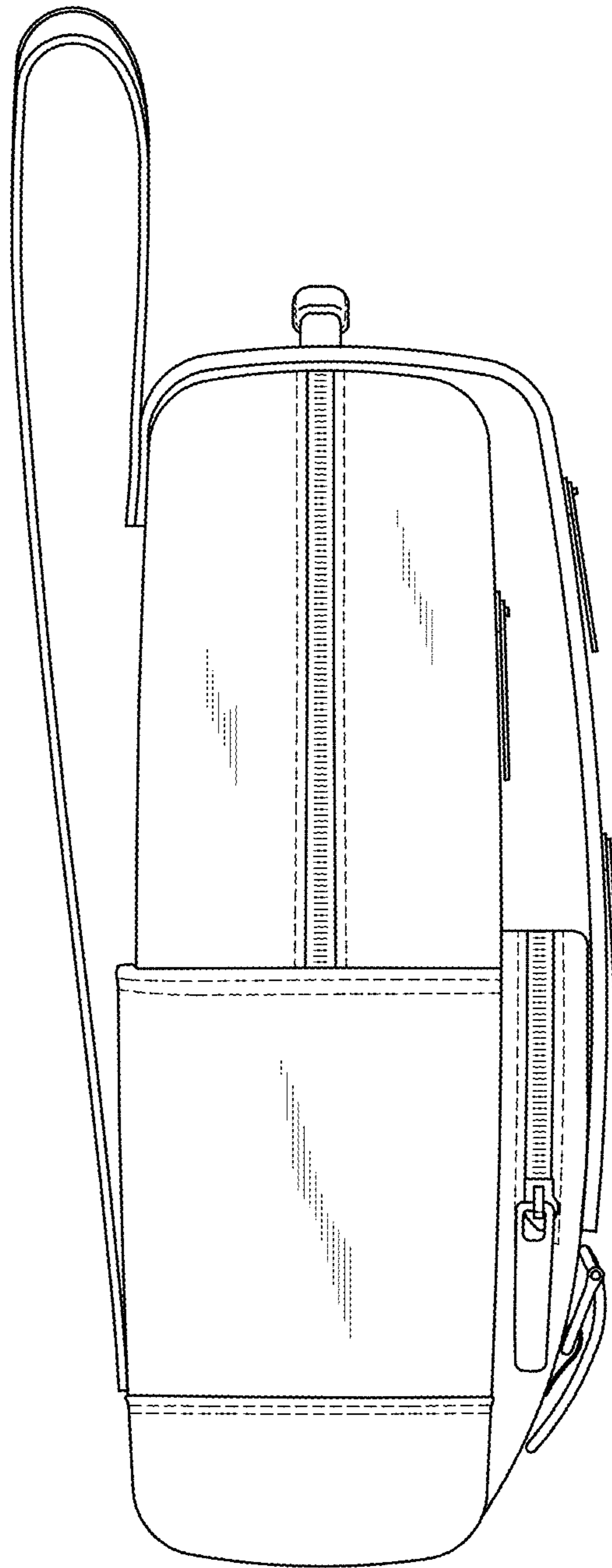


FIG. 5

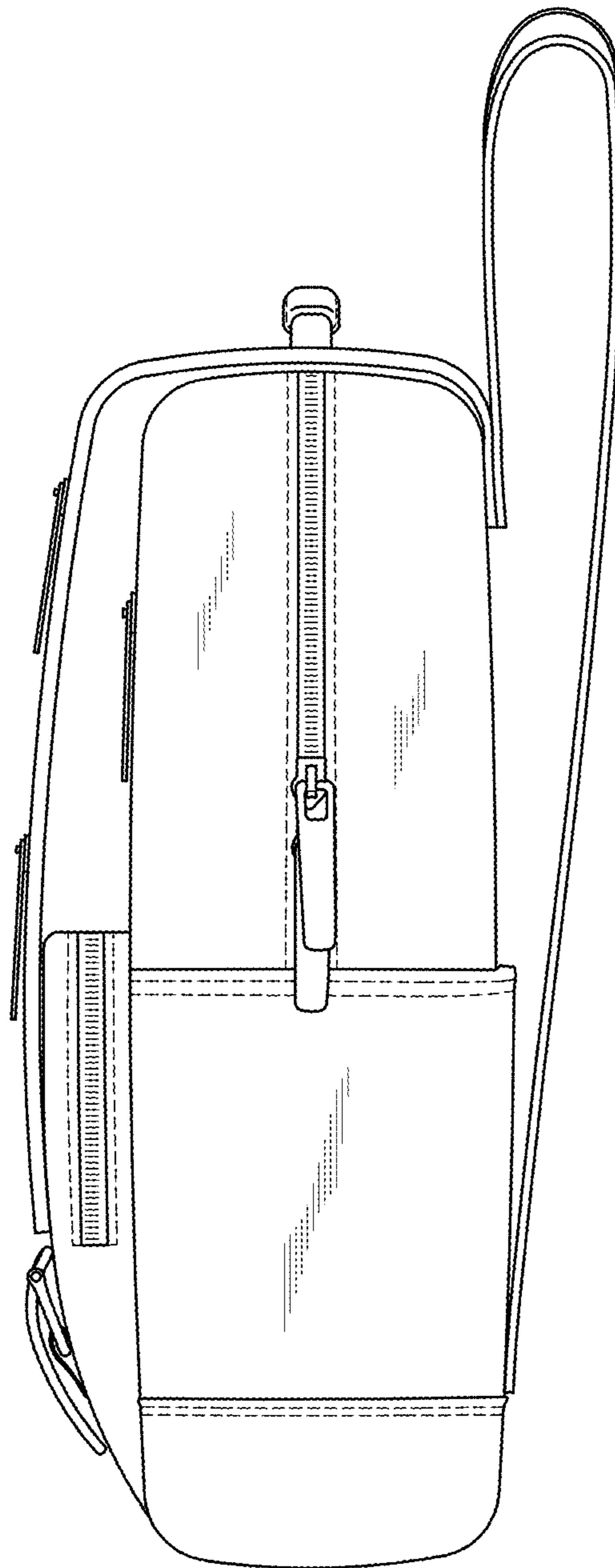


FIG. 6

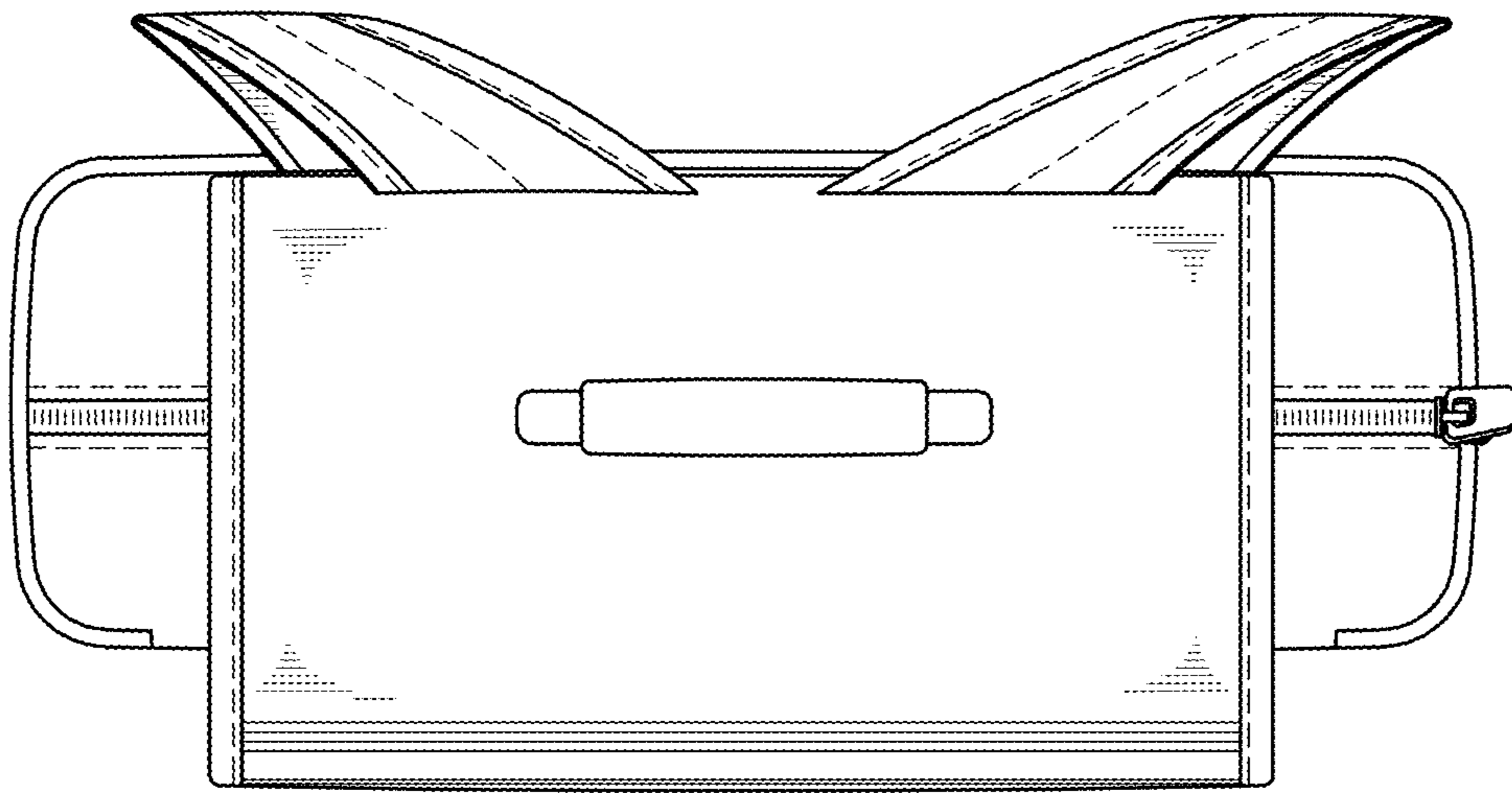


FIG. 7

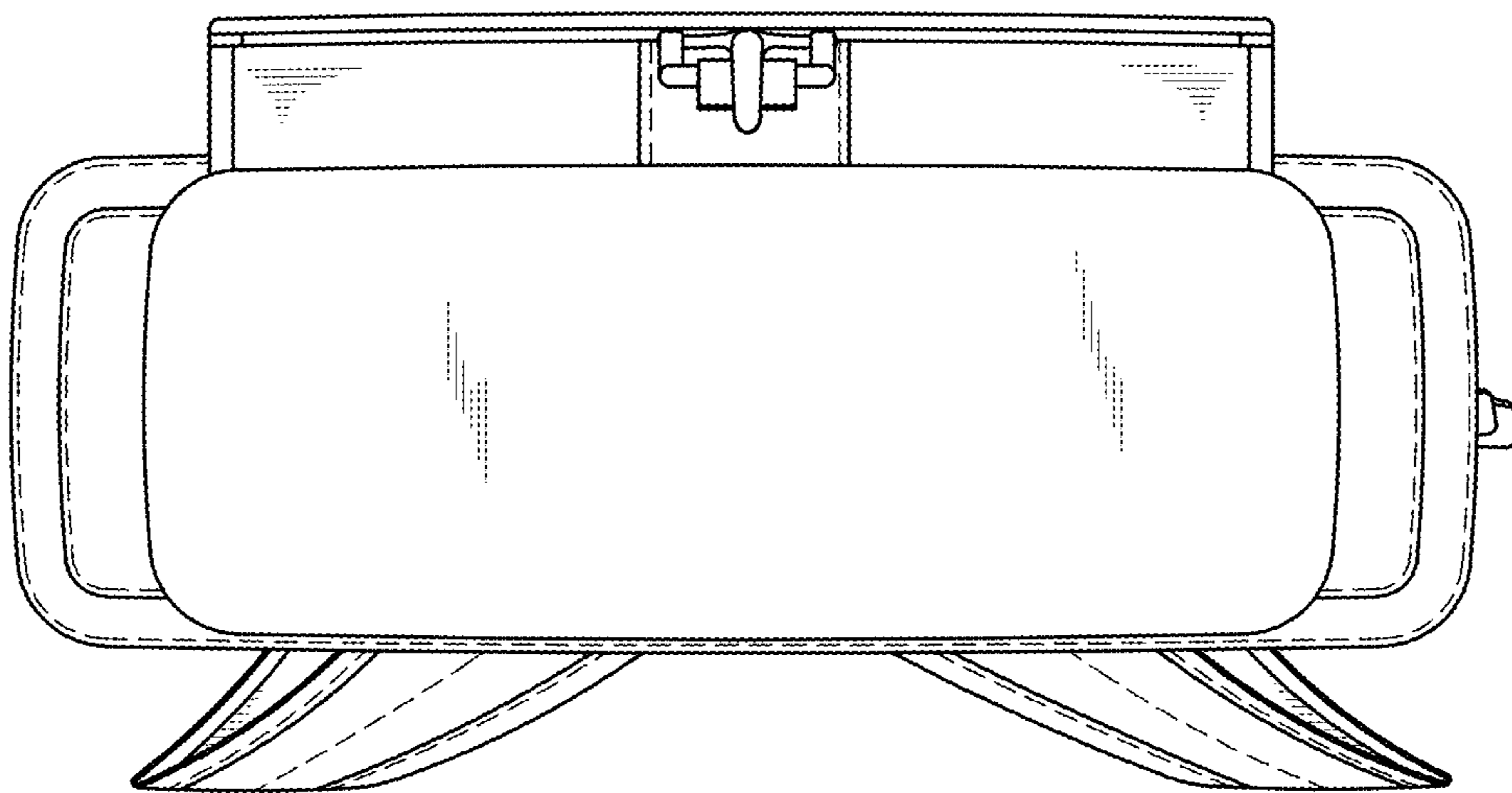


FIG. 8