



US00D810421S

(12) **United States Design Patent**  
**Ross et al.**

(10) **Patent No.:** **US D810,421 S**

(45) **Date of Patent:** **\*\* Feb. 20, 2018**

(54) **CARRYING CASE**

(71) Applicant: **KIMBERLY-CLARK WORLDWIDE, INC.**, Neenah, WI (US)

(72) Inventors: **Russell Ross**, Jacksonville Beach, FL (US); **Elizabeth D. Gadsby**, Marietta, GA (US); **Andrew T. Baker**, Norcross, GA (US)

(73) Assignee: **KIMBERLY-CLARK WORLDWIDE, INC.**, Neenah, WI (US)

(\*\*) Term: **15 Years**

(21) Appl. No.: **29/587,927**

(22) Filed: **Dec. 16, 2016**

(51) **LOC (11) Cl.** ..... **03-01**

(52) **U.S. Cl.**  
USPC ..... **D3/203.1**

(58) **Field of Classification Search**

USPC ..... D3/202, 203, 213, 214, 215, 201, 226, D3/228, 224, 327, 229, 273, 290, 294, D3/243, 245, 246, 266, 904, 304, 307, D3/308, 309, 315; D7/509, 510, 511  
CPC ..... A45D 42/00; A45D 42/18; A61B 1/24; D04B 3/02; G05G 9/04788; A44B 11/25  
See application file for complete search history.

(56) **References Cited**

**U.S. PATENT DOCUMENTS**

D93,084 S \* 8/1934 Baum ..... D3/203.1  
D178,627 S \* 9/1956 Baratelli ..... D3/203.1  
5,921,383 A \* 7/1999 Shefler ..... A45C 11/04  
206/38  
D440,397 S \* 4/2001 Bardet ..... D3/201  
D481,532 S \* 11/2003 Sayers ..... D3/203.1  
D484,304 S \* 12/2003 Sanderson ..... D3/203.1  
D538,031 S \* 3/2007 Costa ..... D3/203.1

D564,036 S \* 3/2008 Ungania ..... D21/392  
D578,386 S \* 10/2008 Silvenis ..... D3/203.1  
D586,557 S \* 2/2009 Jalet ..... D3/294  
D588,908 S \* 3/2009 Silvenis ..... D3/203.1  
D636,598 S \* 4/2011 Tseng ..... D3/294  
D641,164 S \* 7/2011 Cornu ..... D3/294  
D663,110 S \* 7/2012 Marwah ..... D3/203.2  
D672,554 S \* 12/2012 Penttinen ..... D3/273  
D674,181 S \* 1/2013 Faulkner ..... D24/231  
D740,018 S \* 10/2015 Zhang ..... D3/201

\* cited by examiner

*Primary Examiner* — Benjamin Weeks

(74) *Attorney, Agent, or Firm* — Armstrong Teasdale LLP

(57) **CLAIM**

We claim the ornamental design for a carrying case, as shown and described.

**DESCRIPTION**

FIG. 1 is a perspective view of a carrying case of our new design, shown in a closed configuration.  
FIG. 2 is a top plan view of FIG. 1, the bottom plan view being a mirror image.  
FIG. 3 is a front elevation view of FIG. 1, the back elevation view being a mirror image.  
FIG. 4 is a right side view of FIG. 1, the left side view being a mirror image.  
FIG. 5 is a perspective view of the carrying case of our new design, shown in an opened configuration.  
FIG. 6 is a top plan view of FIG. 5.  
FIG. 7 is a bottom plan view of FIG. 5.  
FIG. 8 a right side view of FIG. 5, the left side view being a mirror image; and,  
FIG. 9 is a front elevation view of FIG. 5, the back elevation view being a mirror image.  
The broken lines represent portions of the carrying case that form no part of the claimed design.

**1 Claim, 9 Drawing Sheets**

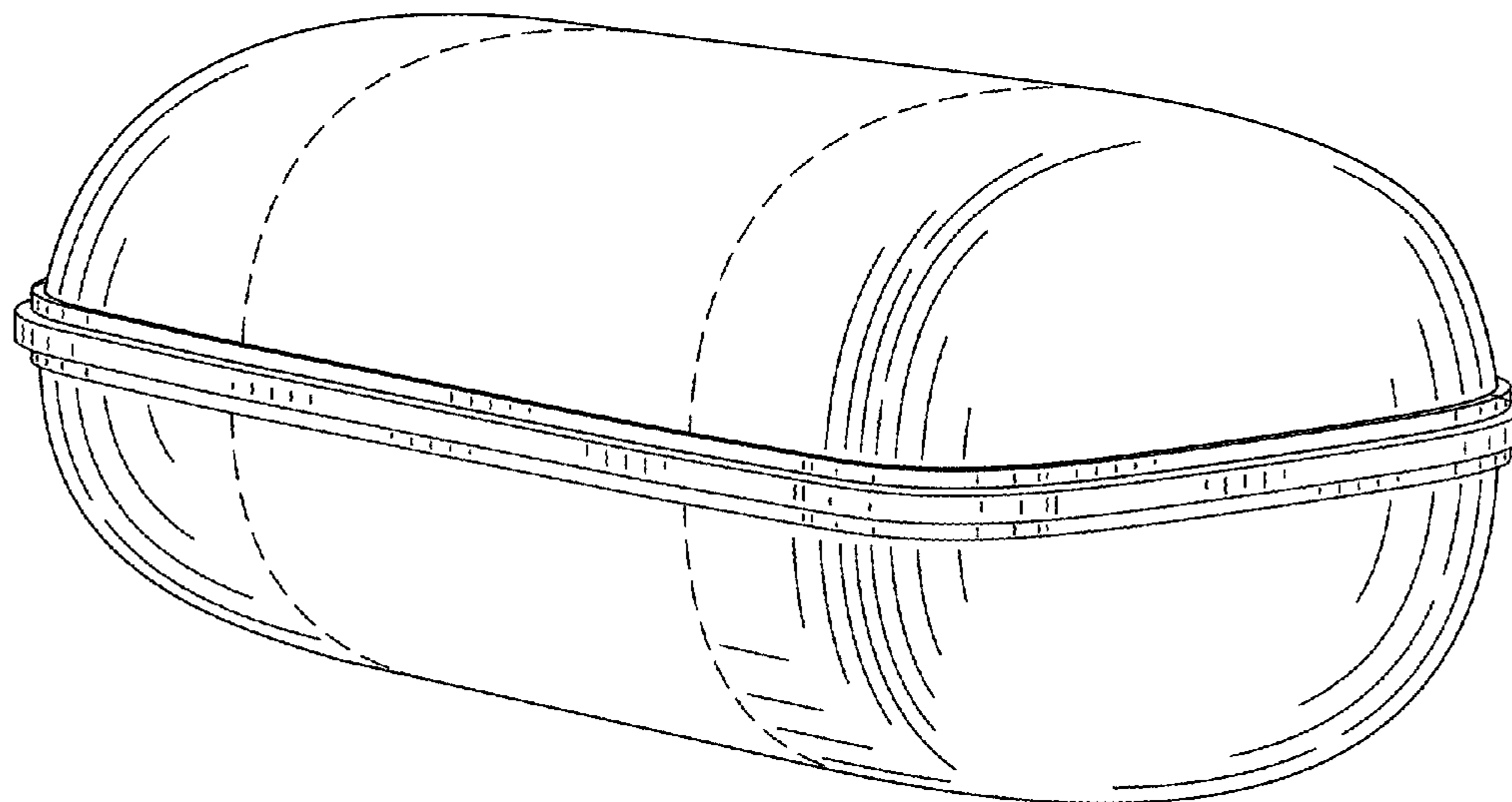


FIG. 1

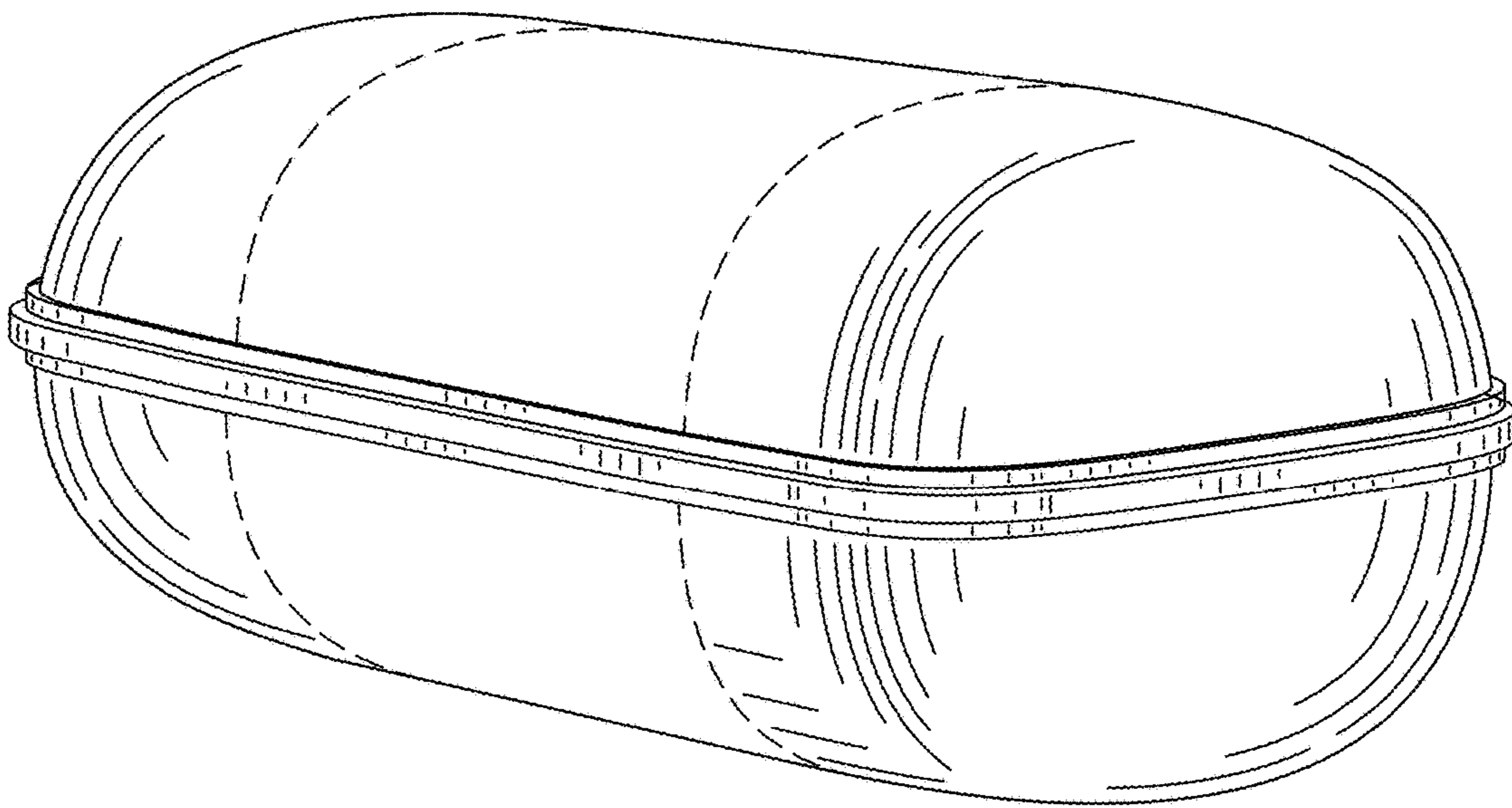


FIG. 2

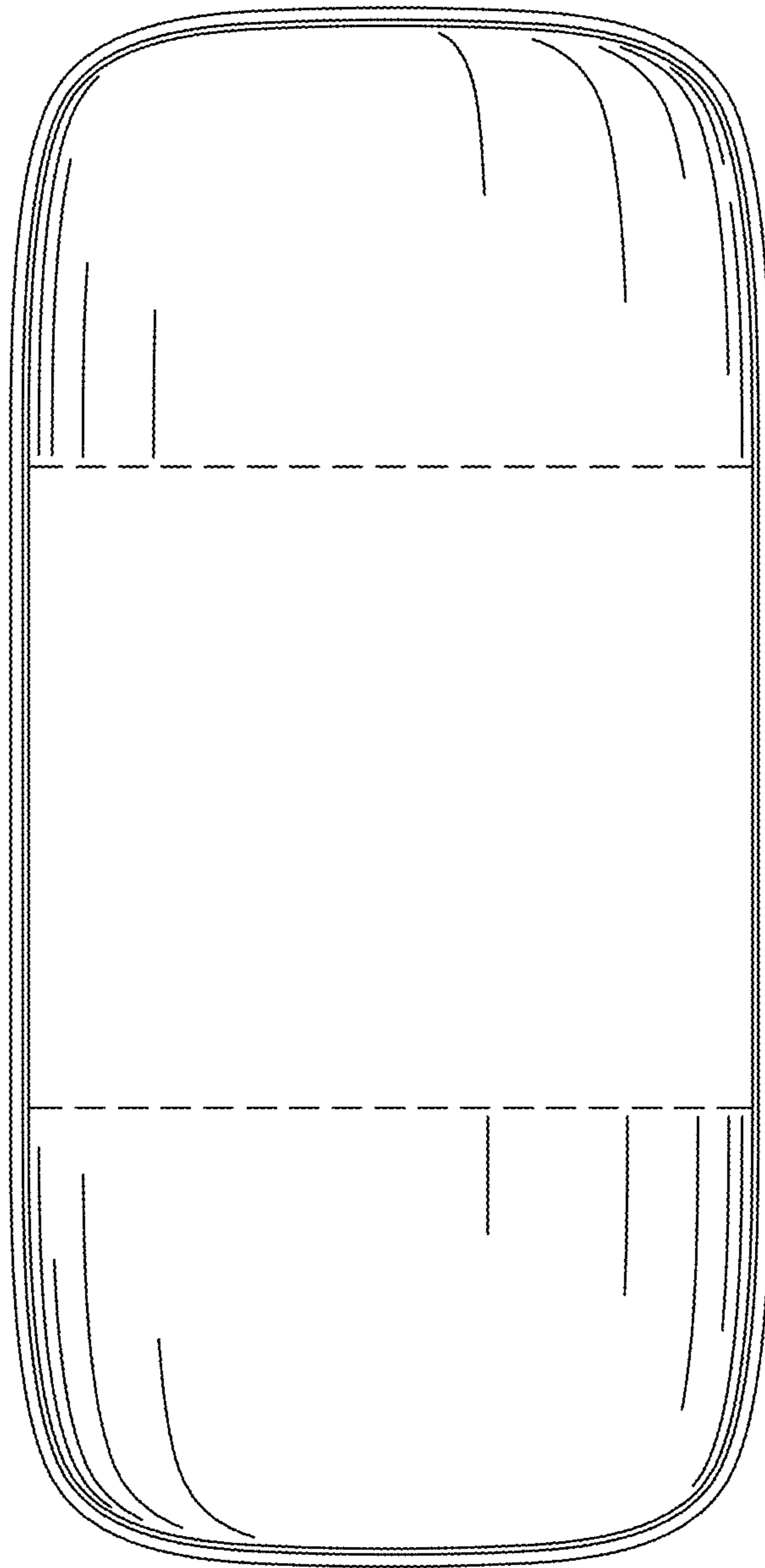


FIG. 3

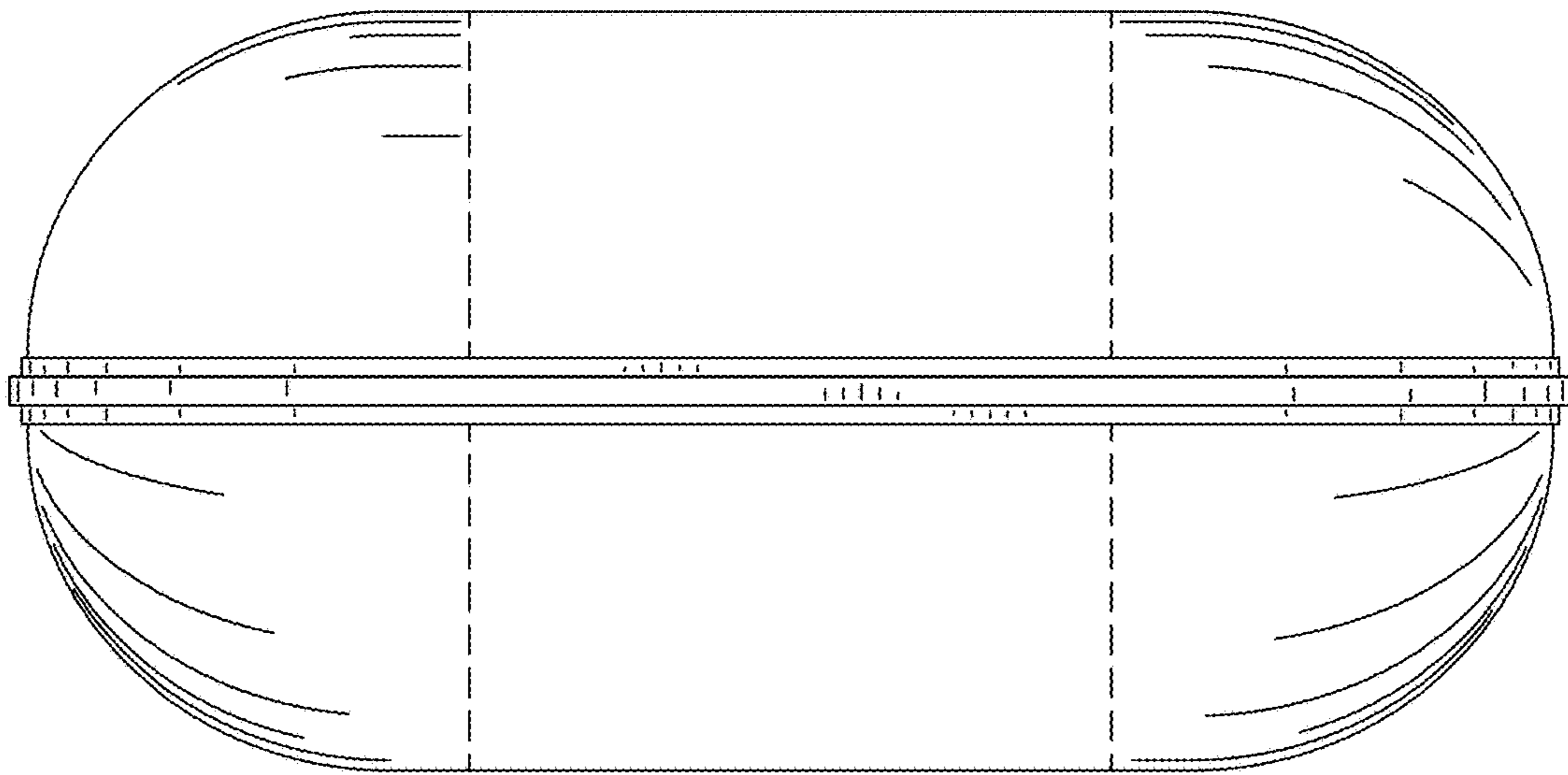


FIG. 4

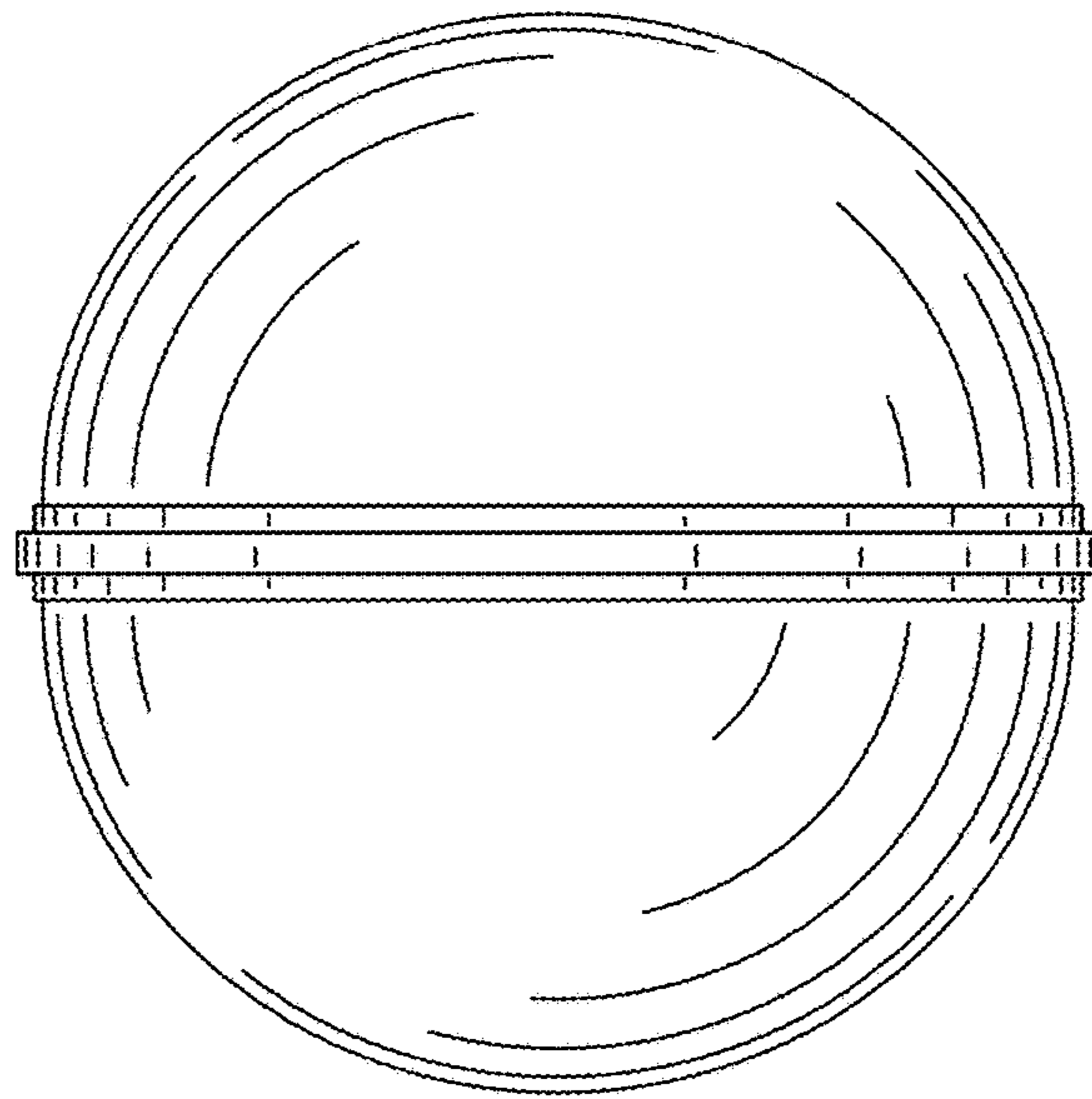


FIG. 5

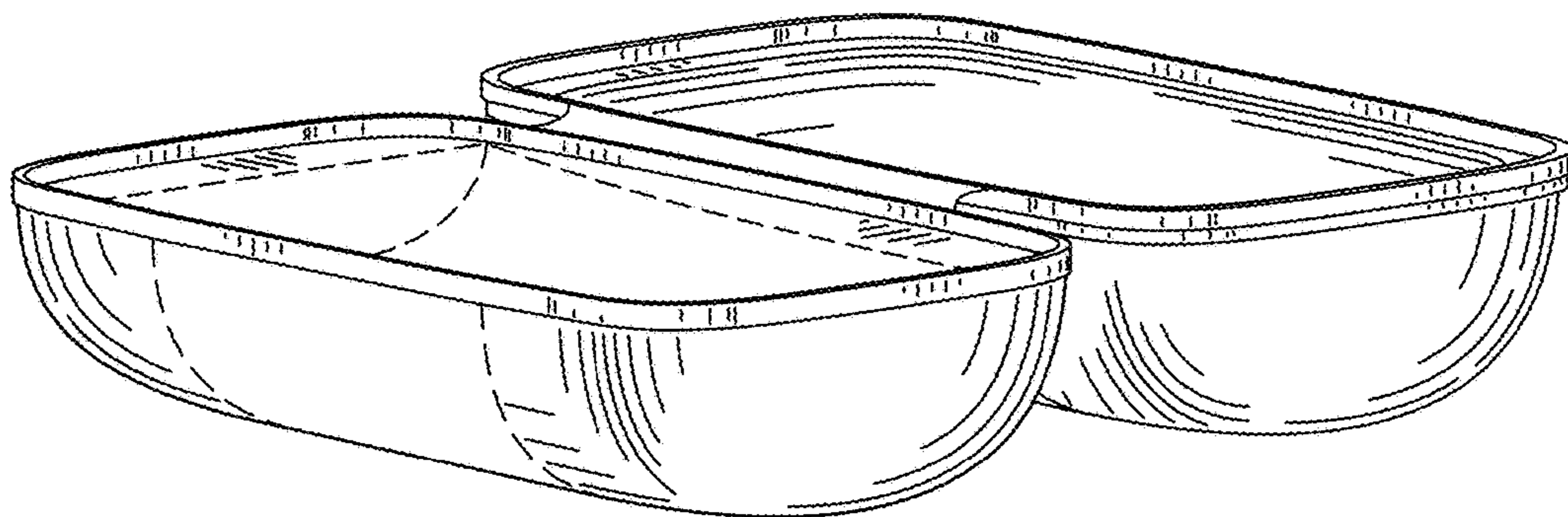




FIG. 6

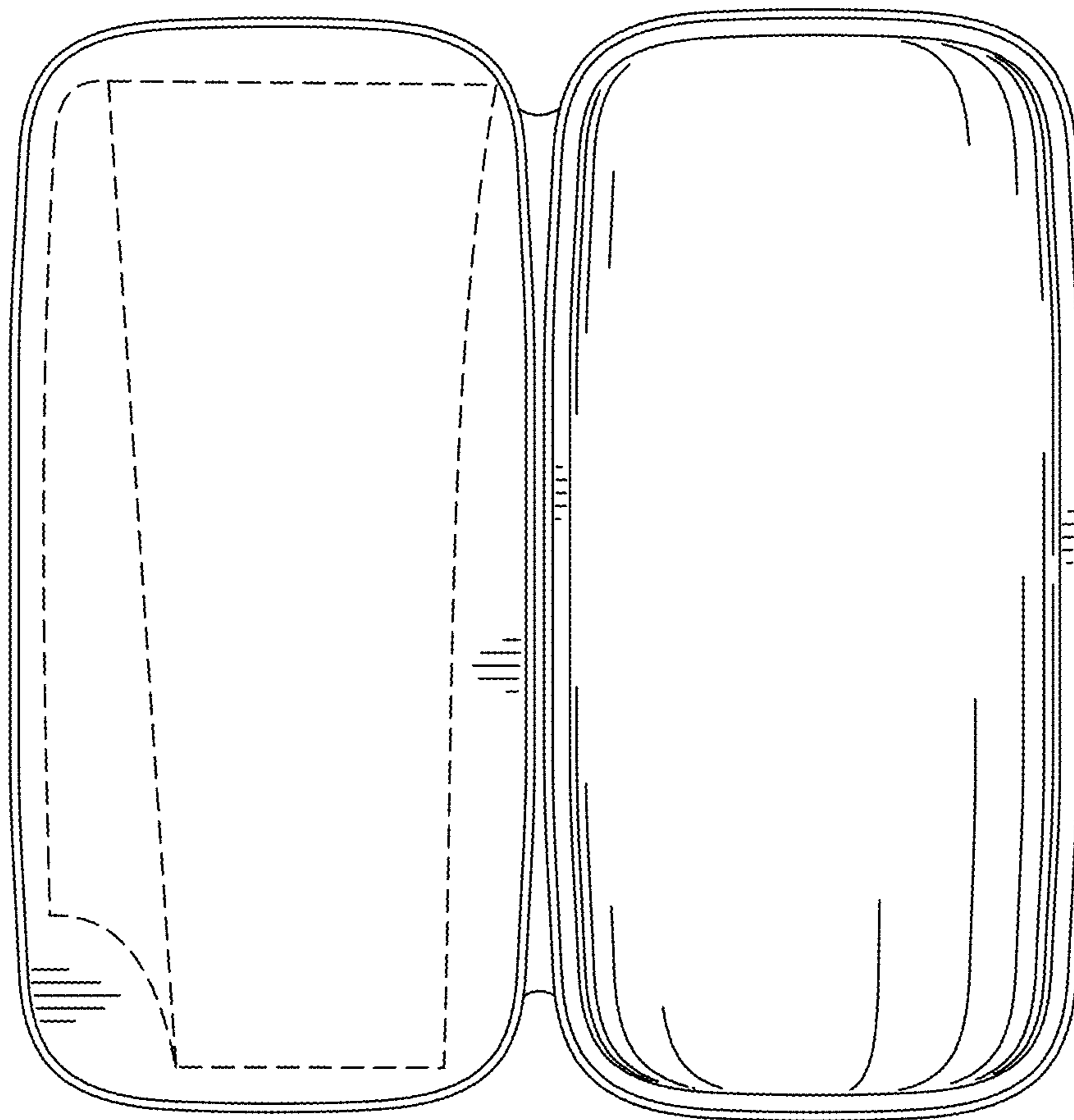


FIG. 7

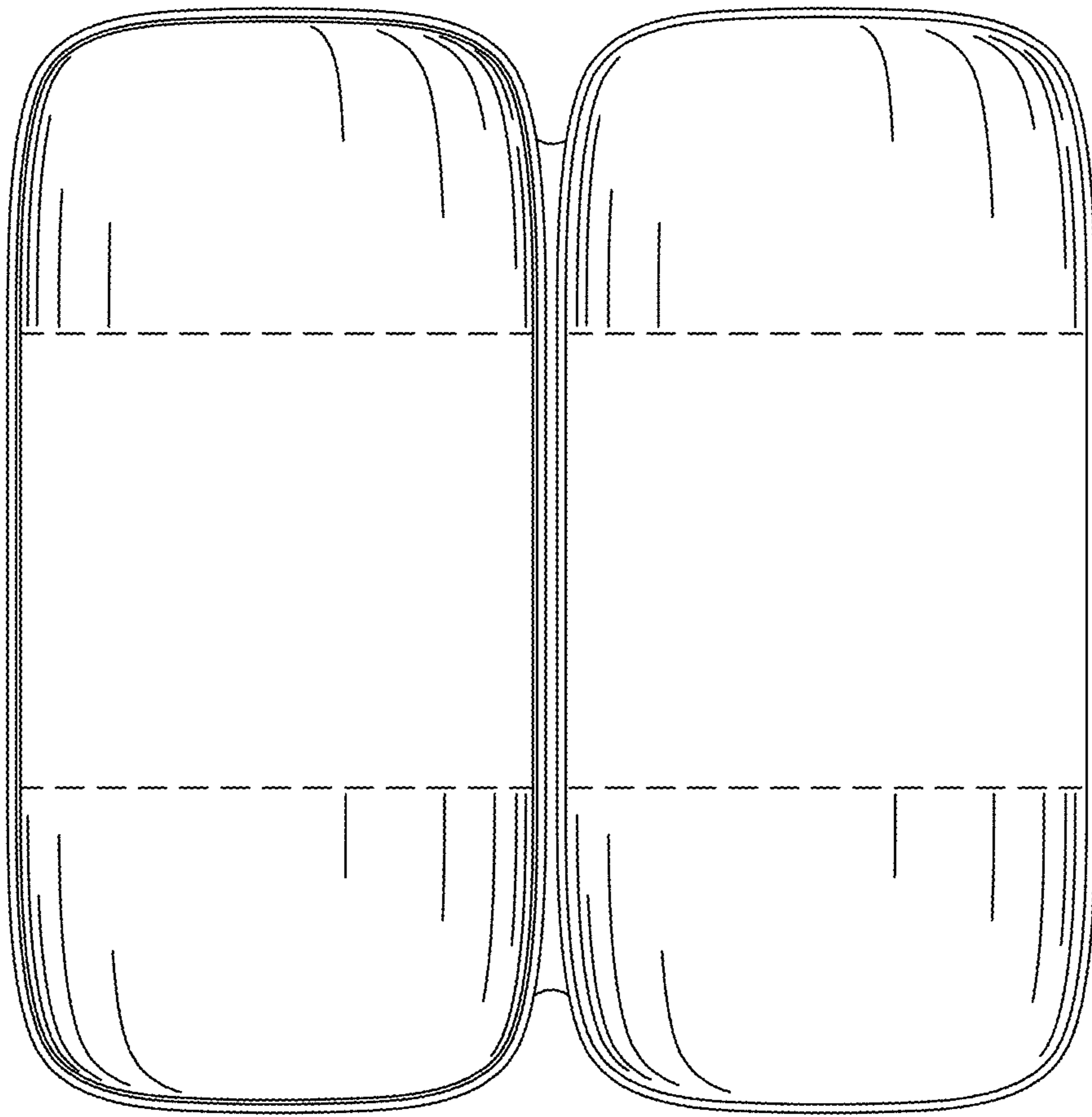




FIG. 8

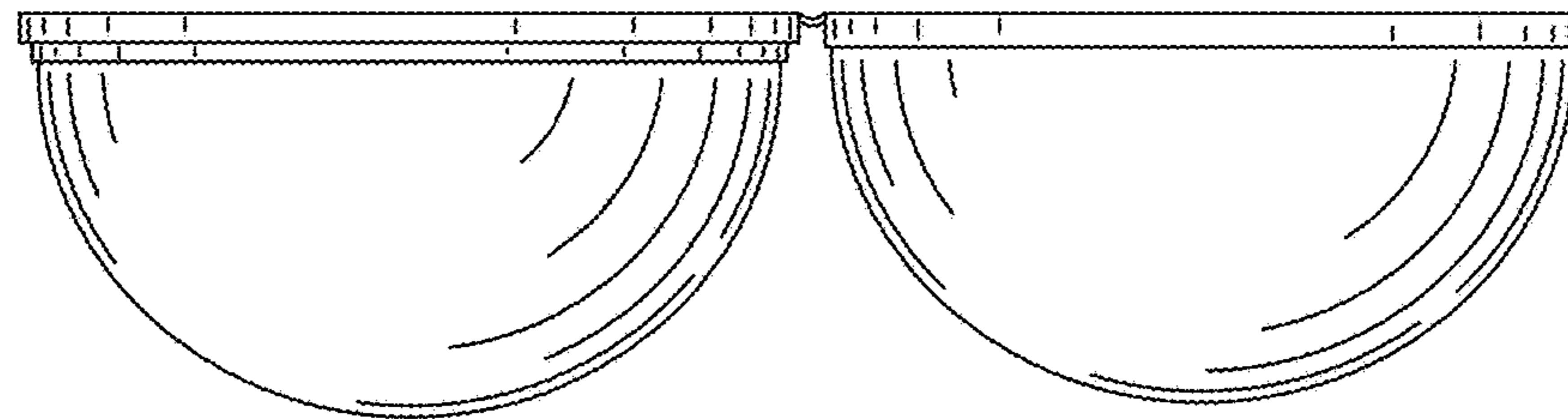
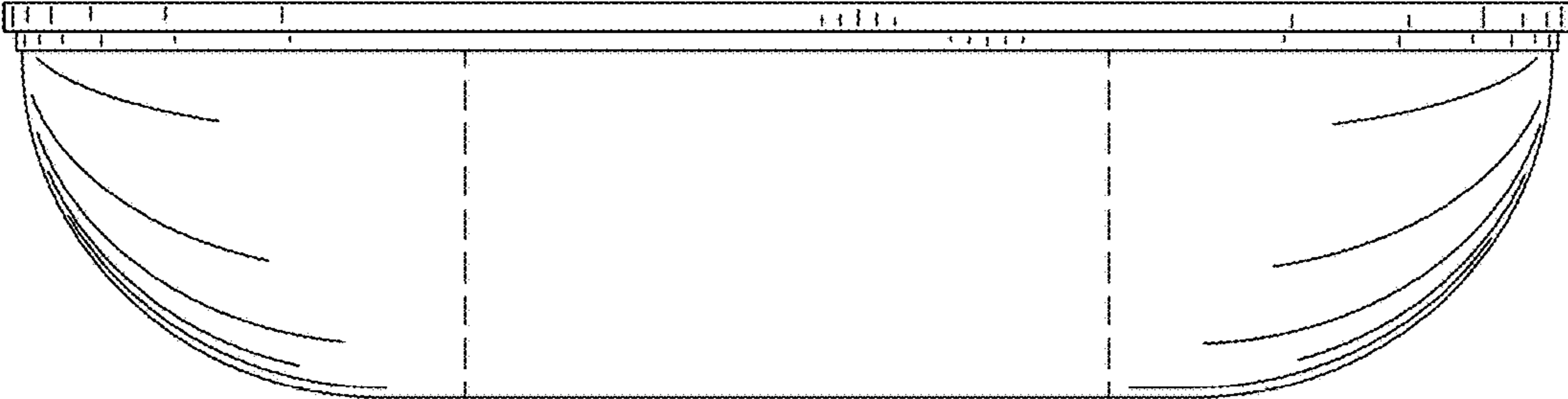


FIG. 9



UNITED STATES PATENT AND TRADEMARK OFFICE  
**CERTIFICATE OF CORRECTION**

PATENT NO. : D810,421 S  
APPLICATION NO. : 29/587927  
DATED : February 20, 2018  
INVENTOR(S) : Russell Ross et al.

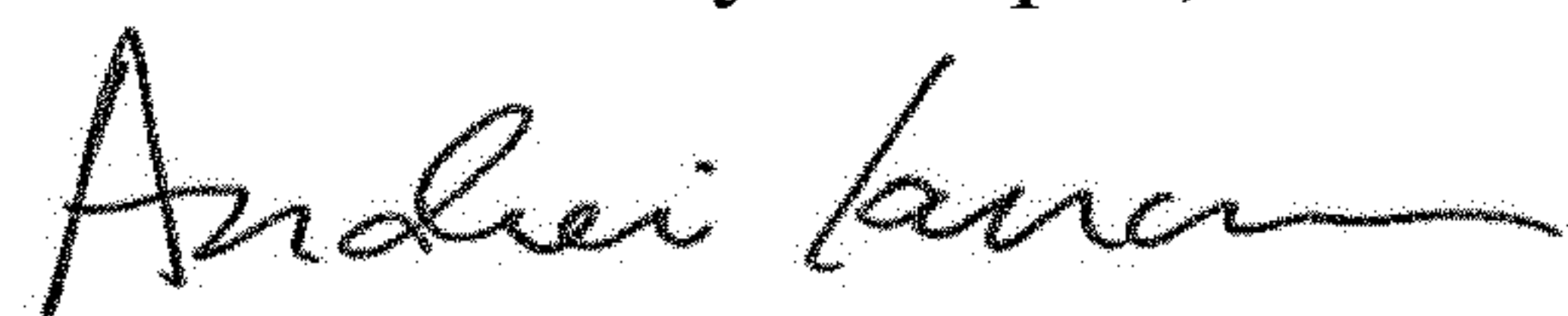
Page 1 of 1

It is certified that error appears in the above-identified patent and that said Letters Patent is hereby corrected as shown below:

On the Title Page

Item (72) Inventors should read as: Russell Ross, Jacksonville Beach, FL (US); Andrew T. Baker, Norcross GA (US); Elizabeth D. Gadsby, Marietta GA (US); Alyson Yamada, Cambridge MA (US); Aaron Peck, San Francisco CA (US); Pratap Ganapathy, Menlo Park CA (US).

Signed and Sealed this  
Thirtieth Day of April, 2019



Andrei Iancu  
*Director of the United States Patent and Trademark Office*