



US00D810416S

(12) **United States Design Patent** (10) **Patent No.:** **US D810,416 S**  
**Ngene** (45) **Date of Patent:** **\*\* Feb. 20, 2018**

(54) **SHOE UPPER**

(71) Applicant: **NIKE, Inc.**, Beaverton, OR (US)

(72) Inventor: **David Ngene**, Portland, OR (US)

(73) Assignee: **NIKE, Inc.**, Beaverton, OR (US)

(\*\*) Term: **15 Years**

(21) Appl. No.: **29/566,567**

(22) Filed: **May 31, 2016**

(51) **LOC (11) Cl.** ..... **02-99**

(52) **U.S. Cl.**  
USPC ..... **D2/972**

(58) **Field of Classification Search**  
USPC ..... D2/902, 906-908, 923, 944, 969,  
D2/971-974; D5/47, 49  
CPC ... A43B 13/181; A43B 13/141; A43B 13/186;  
A43B 13/188; A43B 23/00; A43B 23/02;  
A43B 5/00; A43B 23/26; A43B 1/04;  
A43B 11/14; A43B 7/00; A43B 3/12  
See application file for complete search history.

(56) **References Cited**

**U.S. PATENT DOCUMENTS**

D14,134 S *	7/1883	Bend	.....	D5/47
D94,817 S *	3/1935	Forstman	.....	D5/49
D121,064 S *	6/1940	Bry	.....	D5/47
D175,222 S *	7/1955	Holt	.....	D5/47
D189,607 S *	1/1961	Kuepfer	.....	D5/49
D684,761 S *	6/2013	Williams, Jr.	.....	D2/972
D694,509 S *	12/2013	Miner	.....	D2/972
D701,036 S *	3/2014	Martin	.....	D2/972
D701,037 S *	3/2014	Ho	.....	D2/972
D707,027 S *	6/2014	Shaffer	.....	D2/972
D707,028 S *	6/2014	Parker	.....	D2/972
D710,585 S *	8/2014	Ho	.....	D2/972
D725,895 S *	4/2015	Cin	.....	D2/972
D778,581 S *	2/2017	Kanata	.....	D2/972
D779,187 S *	2/2017	Williams, Jr.	.....	D2/972

D780,427 S *	3/2017	Williams, Jr.	.....	D2/972
D783,987 S *	4/2017	Williams, Jr.	.....	D2/972
D790,837 S *	7/2017	Greenspan	.....	D2/972
D792,701 S *	7/2017	Small	.....	D2/972
D793,062 S *	8/2017	Nethongkome	.....	D2/972
D794,313 S *	8/2017	Yun	.....	D2/973
D796,817 S *	9/2017	Schenone	.....	D2/972
D796,819 S *	9/2017	Chang	.....	D2/972

(Continued)

**OTHER PUBLICATIONS**

Nike's New Training Shoe Lets You Feel the Ground Beneath Your Feet [online], [retrieved Jan. 20, 2017], Retrieved from Internet <URL: <<http://www.complex.com/sneakers/2015/11/nike-free-trainer-1-0-chalk-for-your-feet>> >; 3 color sheets, Dated Nov. 4, 2015.

(Continued)

*Primary Examiner* — Dominic V Simone  
(74) *Attorney, Agent, or Firm* — Banner & Witcoff, Ltd.

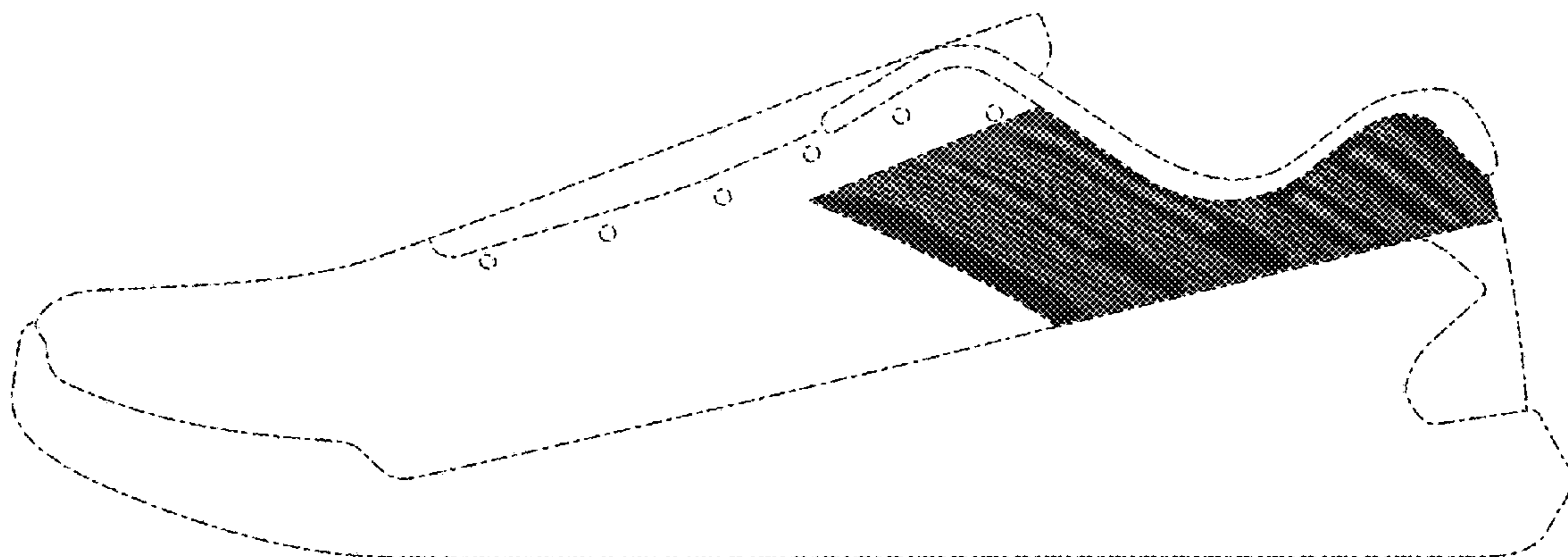
(57) **CLAIM**

The ornamental design for a shoe upper, as shown and described.

**DESCRIPTION**

FIG. 1 is a front perspective view of a shoe upper showing my new design;  
FIG. 2 is a side view thereof;  
FIG. 3 is a rear perspective view thereof; and,  
FIG. 4 is a rear view thereof.  
The broken lines immediately adjacent to the photographic area represent unclaimed boundaries of the design. The lack of a line immediately adjacent to the photographic area represents a horizon of the design from the viewpoint of the corresponding figure. The broken lines showing the remainder of the shoe represent unclaimed subject matter and form no part of the claimed design.

**1 Claim, 4 Drawing Sheets**



(56)

**References Cited**

U.S. PATENT DOCUMENTS

D796,824 S \* 9/2017 Kanata ..... D2/972  
D797,434 S \* 9/2017 Klein ..... D2/972  
D801,031 S \* 10/2017 Cin ..... D2/972

OTHER PUBLICATIONS

Five Reasons Why the Nike Metcon 2 Rules the Gym [online], [retrieved Jan. 20, 2017], Retrieved from Internet <URL: <<http://news.nike.com/news/five-reasons-why-the-nike-metcon-2-rules-the-gym>>>; 5 color sheets, Dated Jan. 21, 2016.

Nike Training Introduces the Much-Anticipated Nike Metcon 1 [online], [retrieved Jan. 20, 2017], Retrieved from Internet <URL: <<http://news.nike.com/news/nike-training-introduces-the-much-anticipated-metcon-1>>>; 4 color sheets, Dated Jan. 28, 2015.

\* cited by examiner

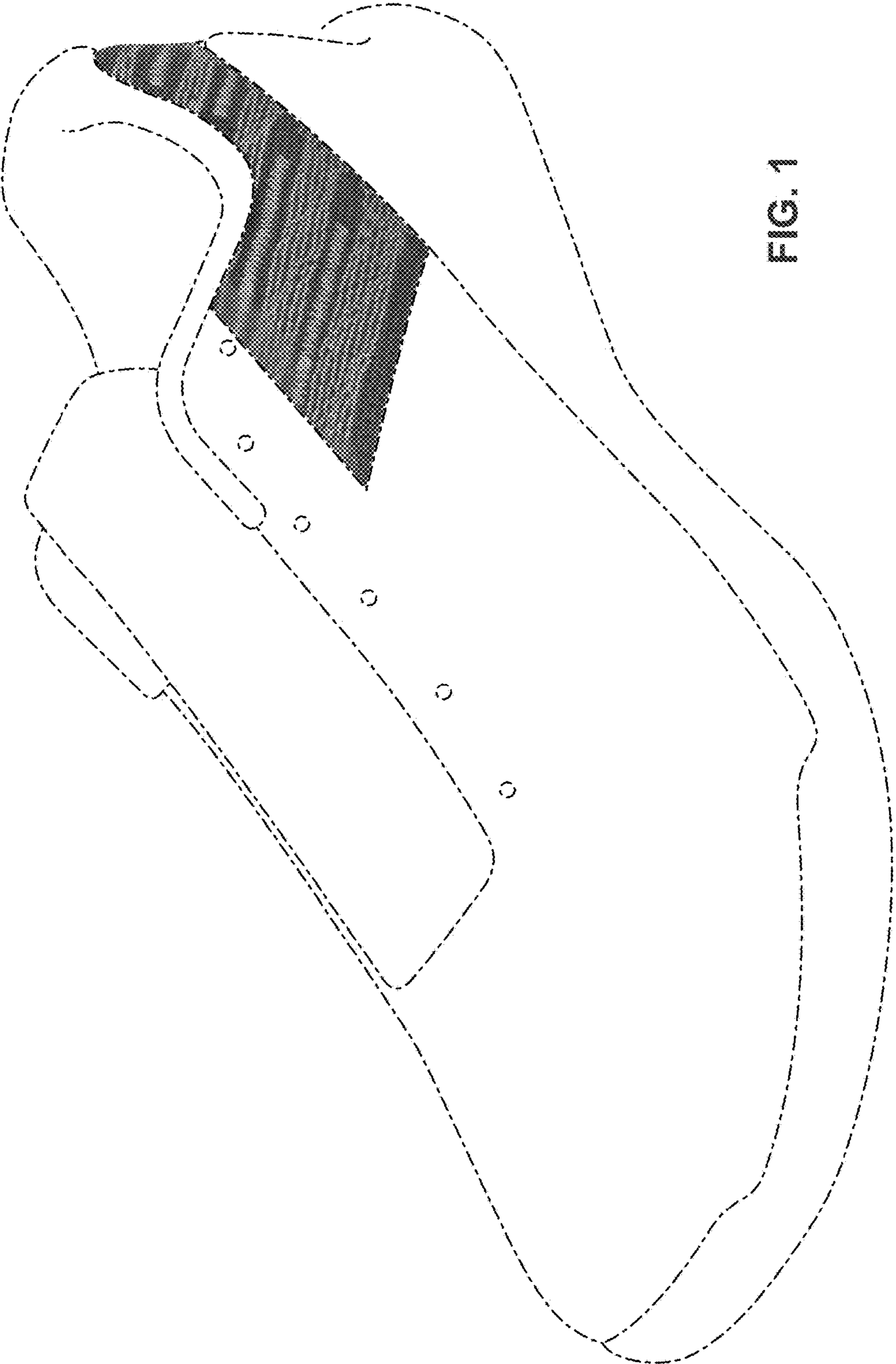


FIG. 1

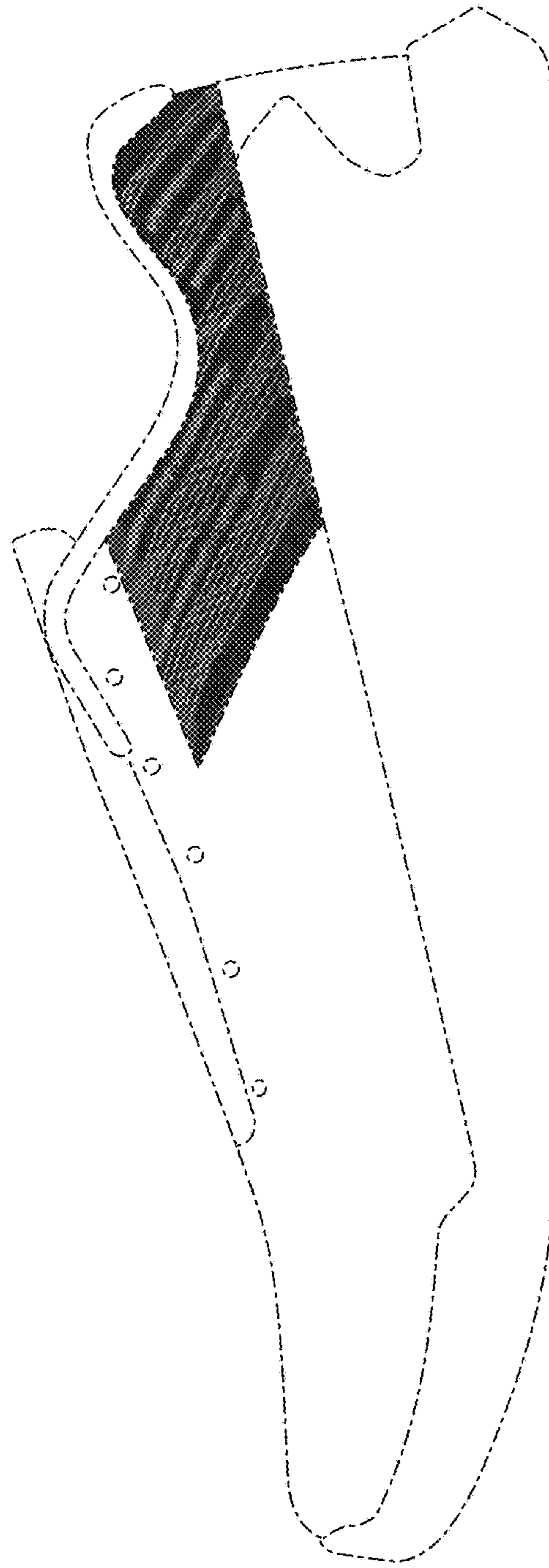


FIG. 2

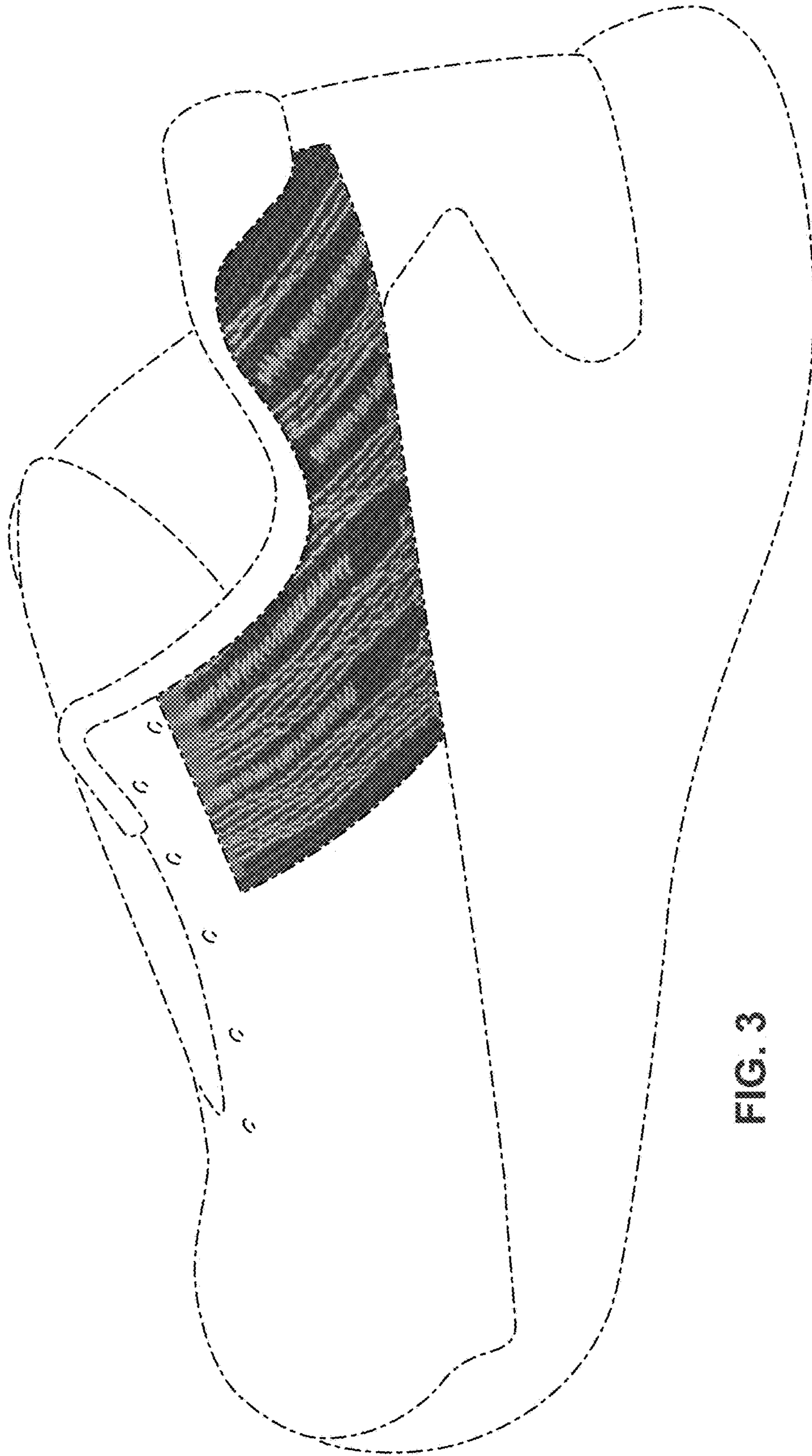


FIG. 3

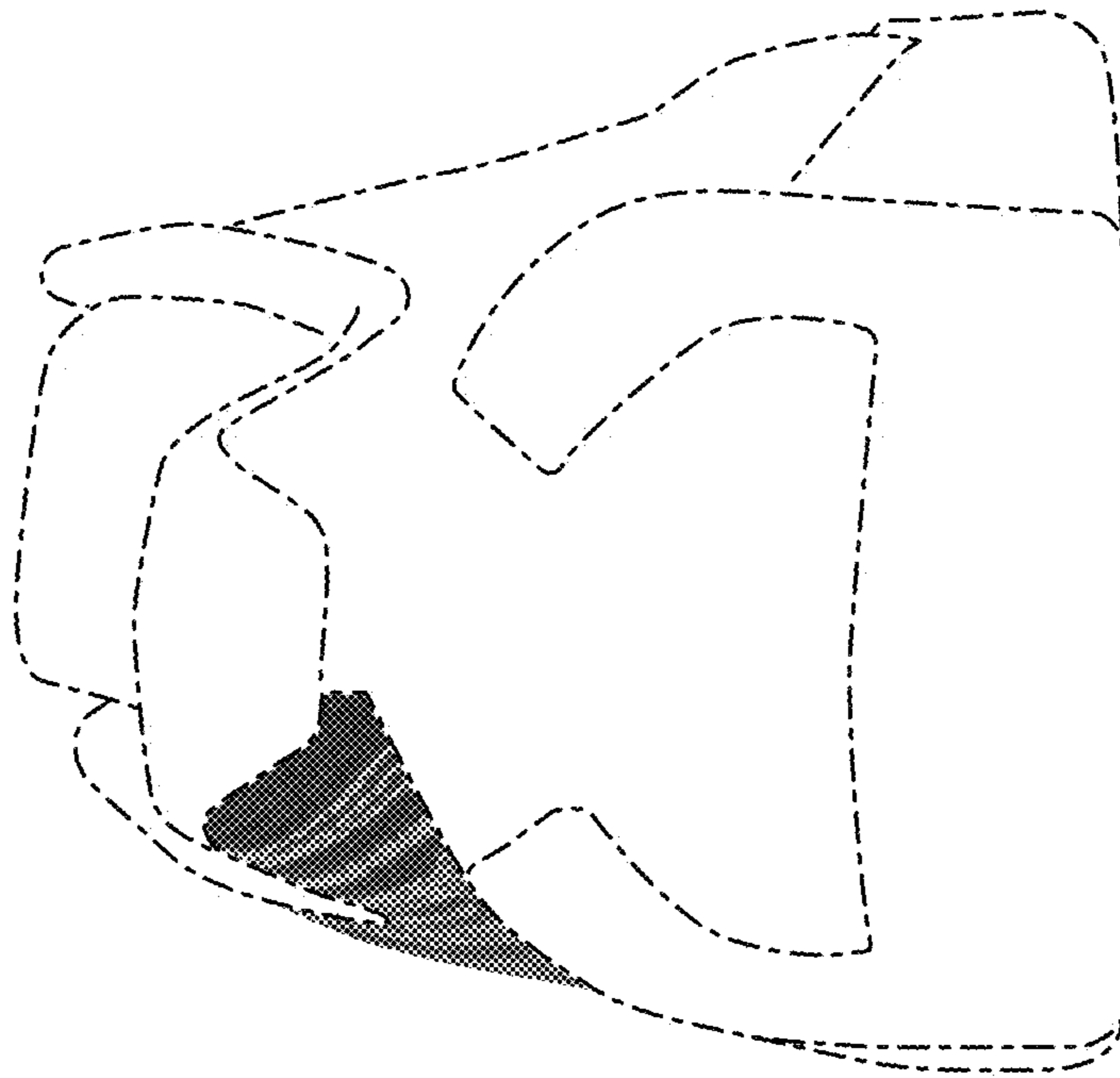


FIG. 4