



US00D810396S

(12) **United States Design Patent**  
**Wyant et al.**

(10) **Patent No.:** **US D810,396 S**

(45) **Date of Patent:** **\*\* Feb. 20, 2018**

(54) **BOOT REMOVER**

(71) Applicant: **Ron-Jo, LLC**, Monroe, LA (US)

(72) Inventors: **Ronald Wyant**, Columbia, LA (US);  
**Adam McGrew**, West Monroe, LA (US)

(\*\*) Term: **15 Years**

(21) Appl. No.: **29/586,545**

(22) Filed: **Dec. 5, 2016**

(51) **LOC (11) Cl.** ..... **07-99**

(52) **U.S. Cl.**  
USPC ..... **D2/642**

(58) **Field of Classification Search**  
USPC ..... D2/641-643; D3/200; D6/329  
CPC ..... A47G 25/80; A47G 25/82; A47G 25/84;  
A47G 25/845; A47G 25/86; A47G  
25/905; A47G 25/907; A47G 25/92;  
A47G 25/90

See application file for complete search history.

(56) **References Cited**

**U.S. PATENT DOCUMENTS**

231,529	A *	8/1880	Boyington	.....	A47C 7/52
					223/115
453,737	A *	6/1891	Golier	.....	A47G 25/80
					223/115
530,080	A *	12/1894	Bisnaz	.....	A47G 25/80
					223/113
D34,456	S *	4/1901	Consolla	.....	D2/642
D156,537	S *	12/1949	Kent	.....	211/90.01
2,517,183	A *	8/1950	Dunn	.....	A47B 5/04
					108/134
D288,030	S *	2/1987	Lauhoff	.....	D2/642
D420,203	S *	2/2000	Watkins	.....	D2/642
D594,183	S *	6/2009	Sagedy	.....	D2/642

D766,544 S \* 9/2016 Wyant ..... D2/642  
2011/0089203 A1\* 4/2011 McNair ..... A47G 25/86  
223/114  
2016/0220053 A1\* 8/2016 Juderman ..... A47G 25/80

\* cited by examiner

*Primary Examiner* — Celia A Murphy

*Assistant Examiner* — Clare A Gannon

(74) *Attorney, Agent, or Firm* — Husch Blackwell LLP;  
Edward D. Manzo; George S. Pavlik

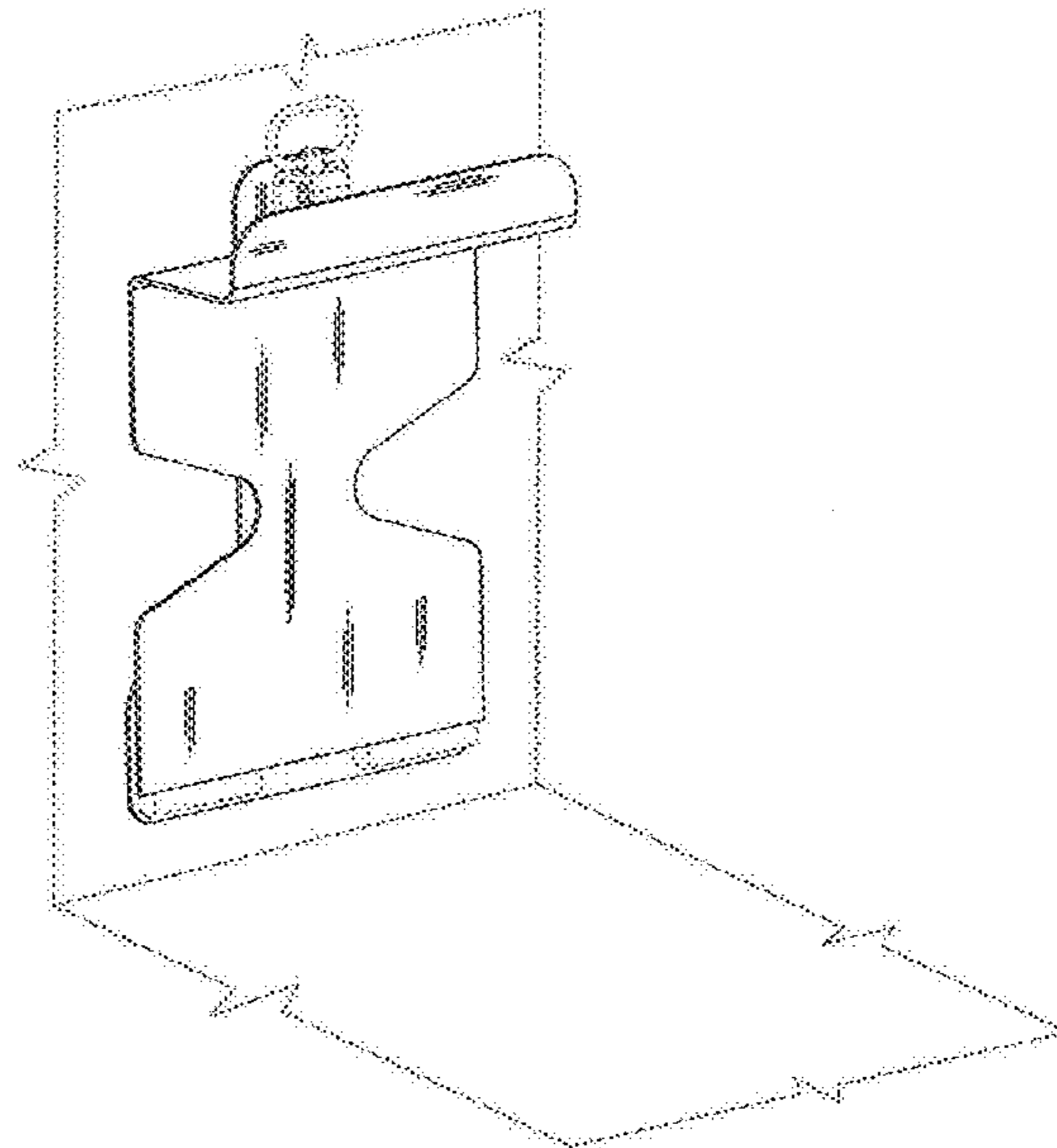
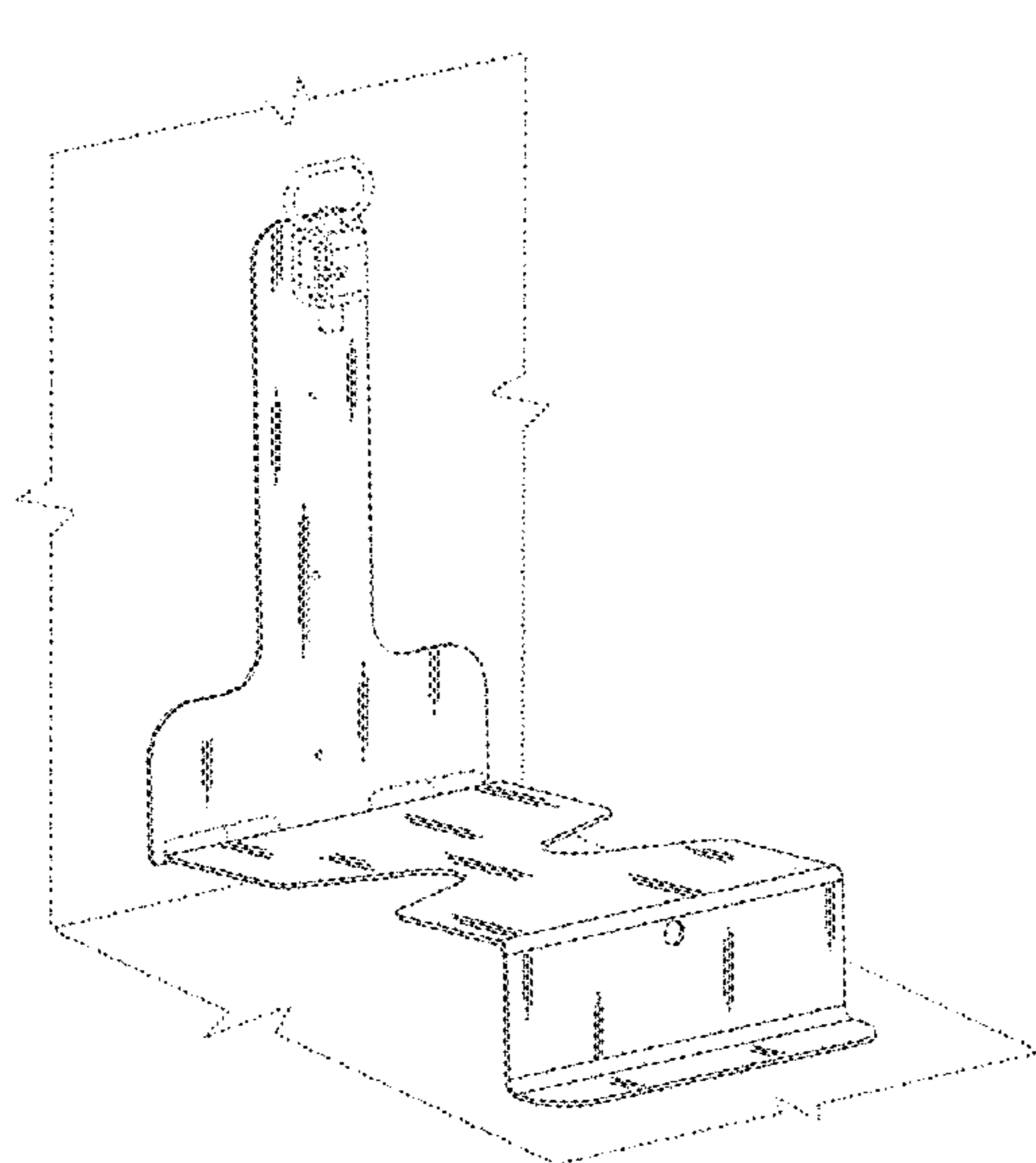
(57) **CLAIM**

The ornamental design for a boot remover, as shown and described.

**DESCRIPTION**

FIG. 1 is a first perspective view of the boot remover shown in an open position in a state of use on a wall and floor; FIG. 2 is a left side elevation view thereof; FIG. 3 is a right side elevation view thereof; FIG. 4 is a front elevation view thereof; FIG. 5 is a rear elevation view thereof; FIG. 6 is a top plan view thereof; FIG. 7 is a bottom plan view thereof; FIG. 8 is a second perspective view of the boot remover shown in a closed position in a state of use on a wall and floor; FIG. 9 is a left side elevation view thereof; and, FIG. 10 is a front elevation view thereof. The broken lines showing the wall and floor in FIGS. 1 and 8 illustrate environmental subject matter forms no part of the claimed design. All other broken lines illustrate portions of the boot remover that form no part of the claimed design.

**1 Claim, 9 Drawing Sheets**



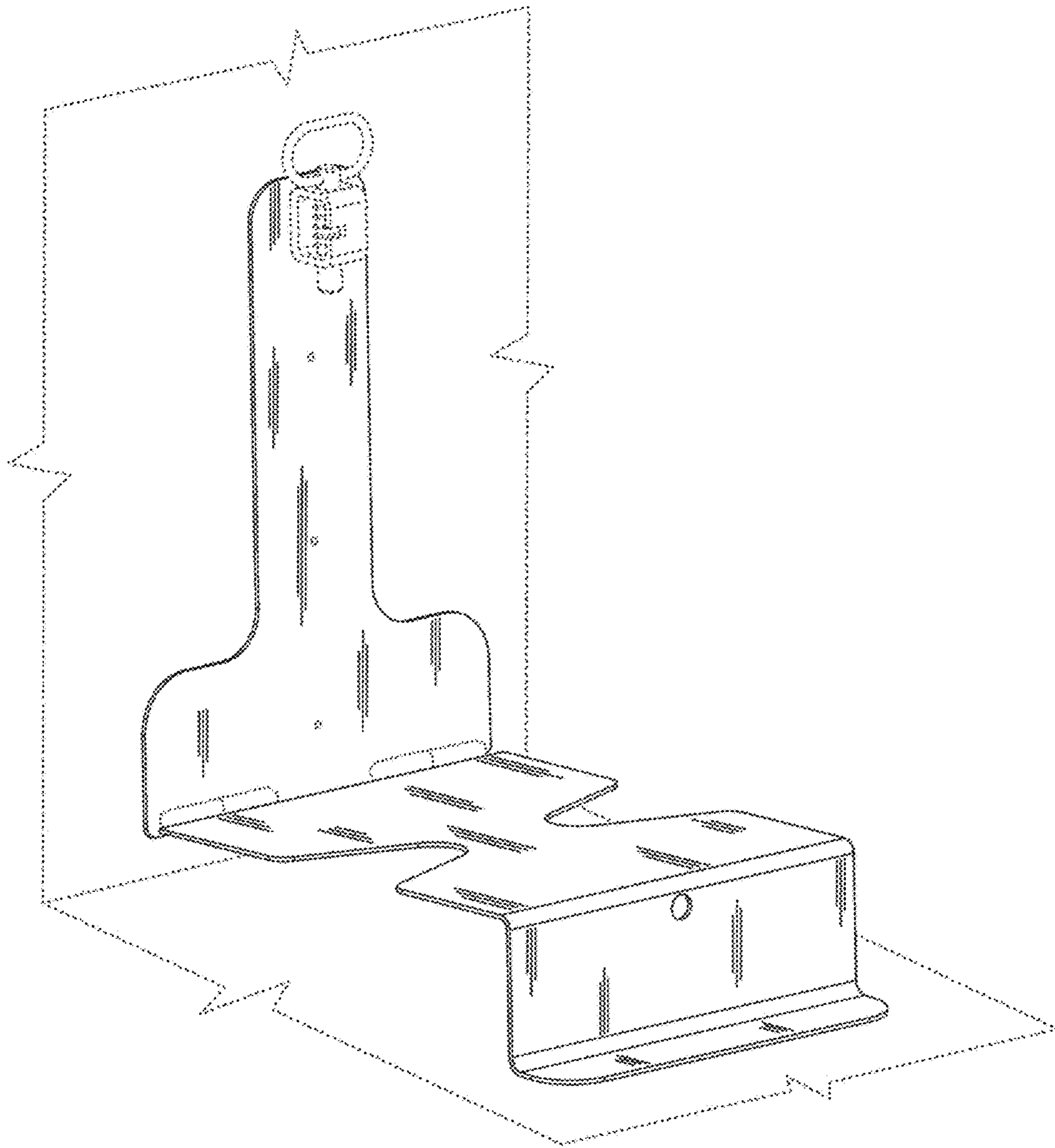


FIG. 1

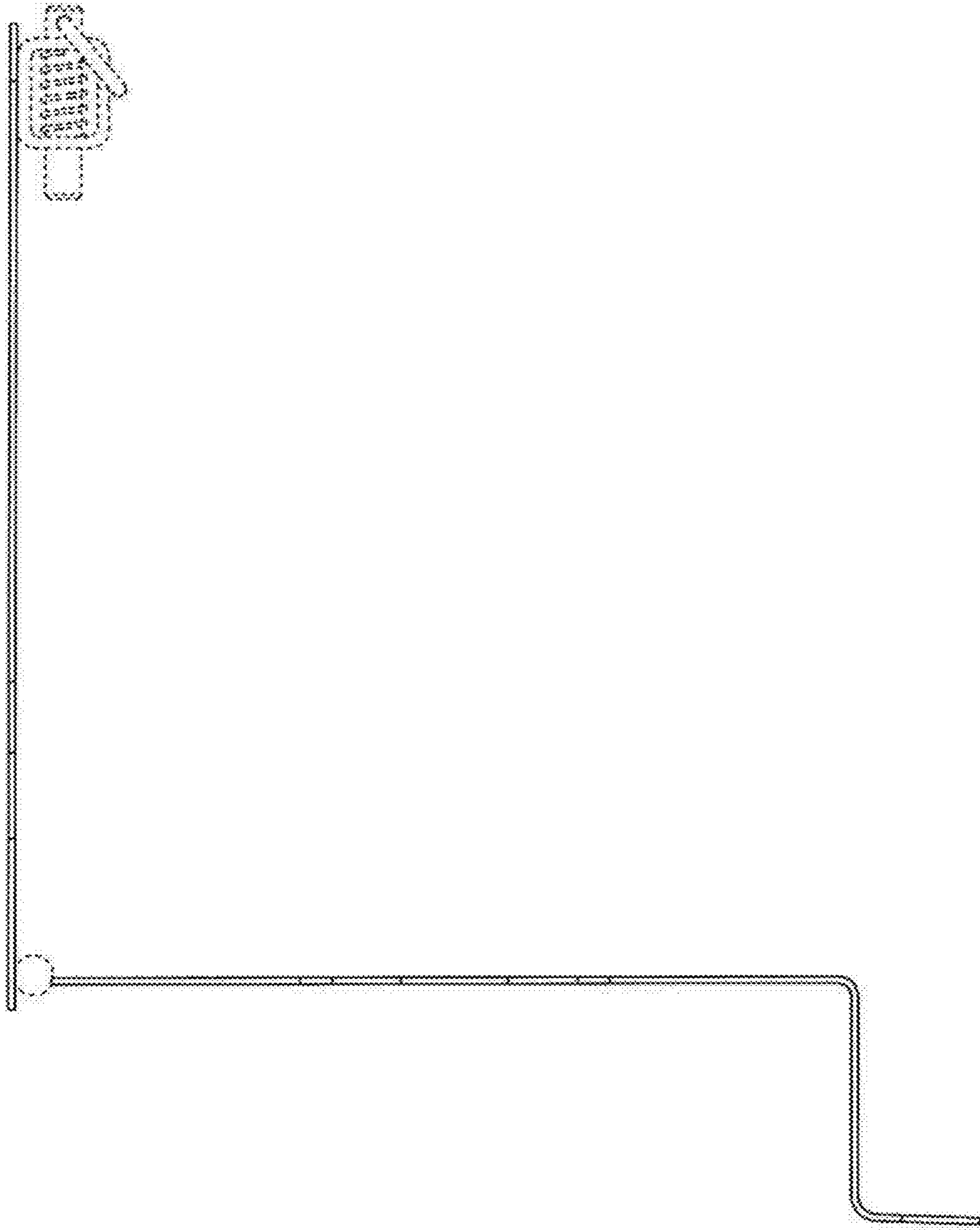


FIG. 2

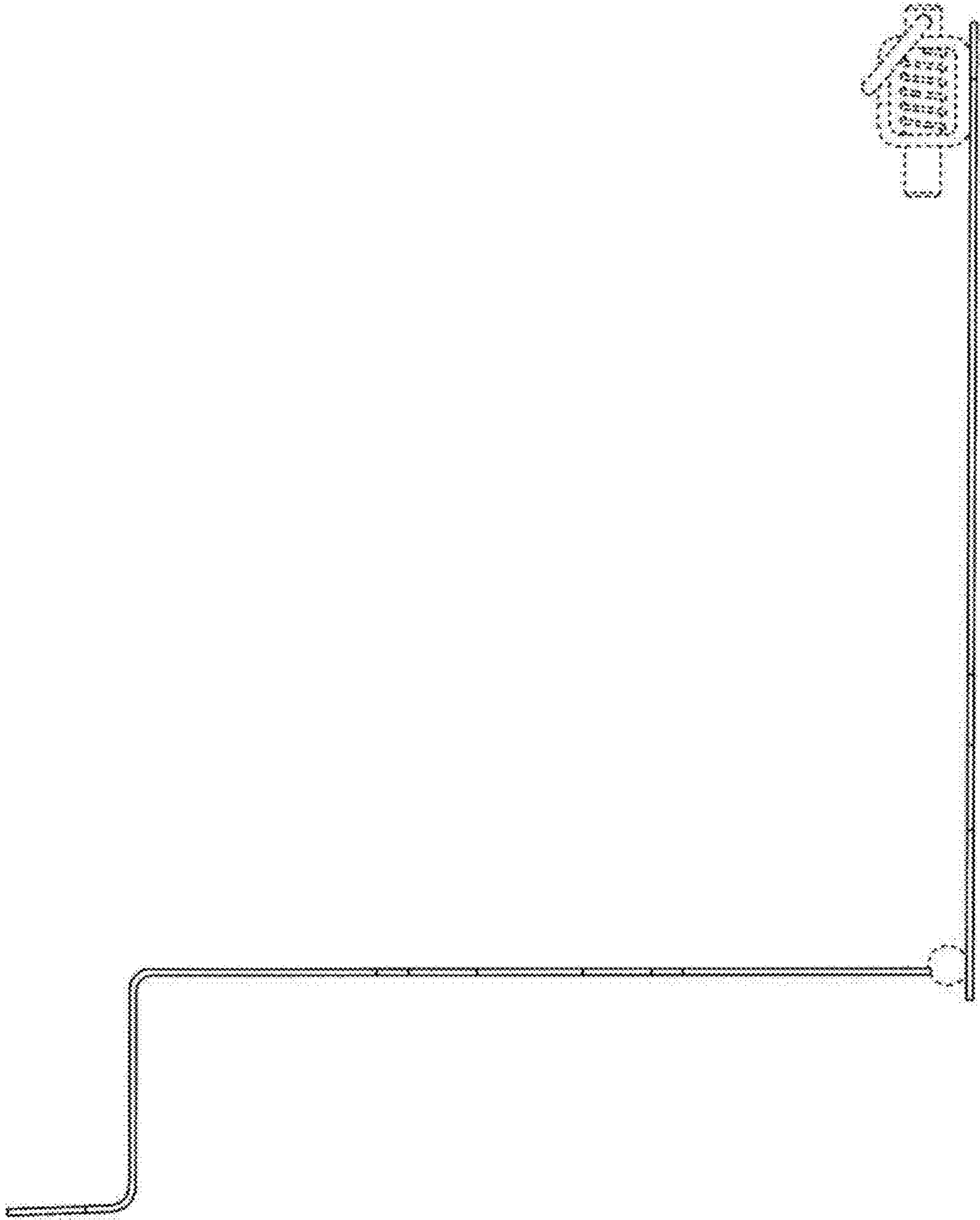


FIG. 3

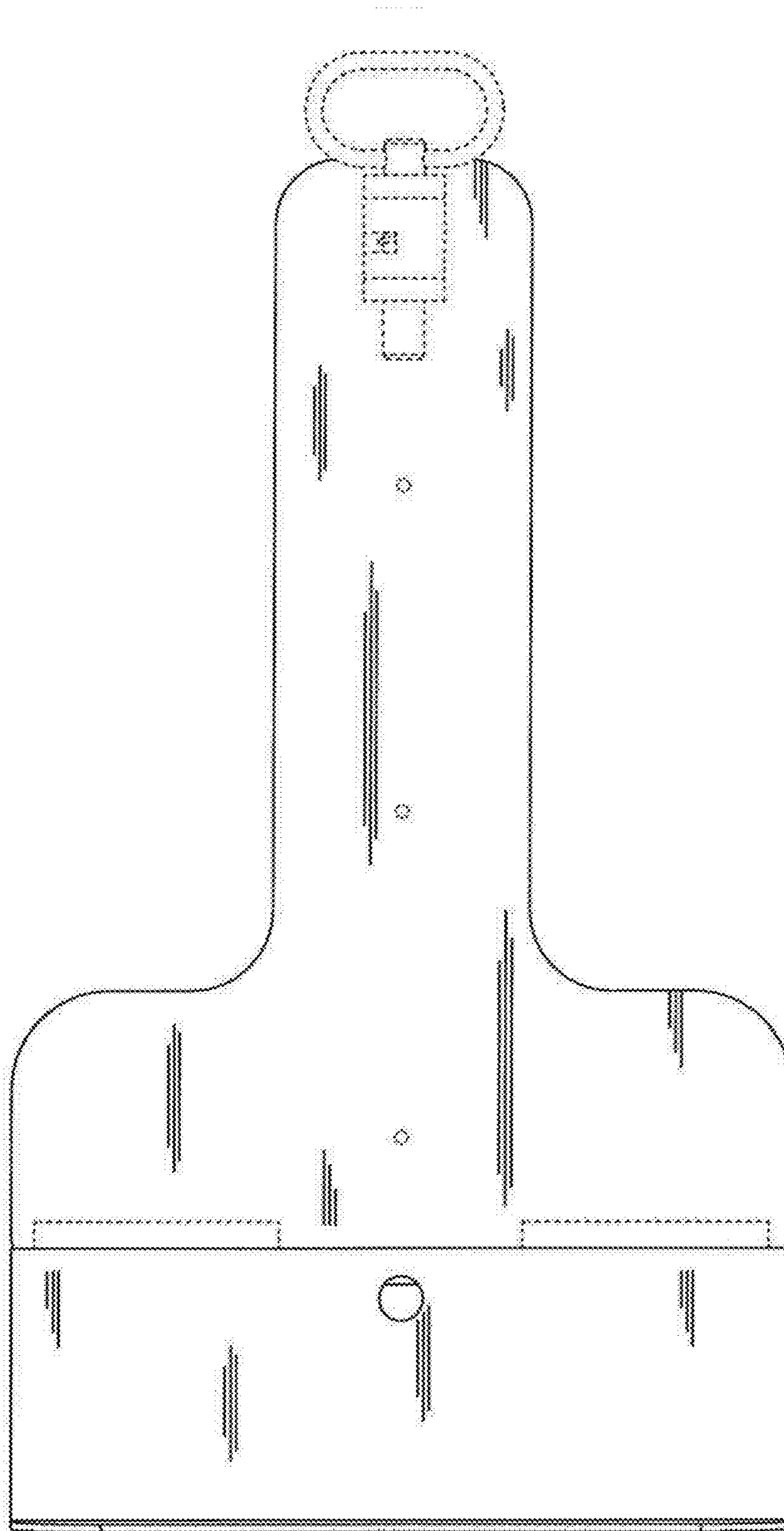


FIG. 4

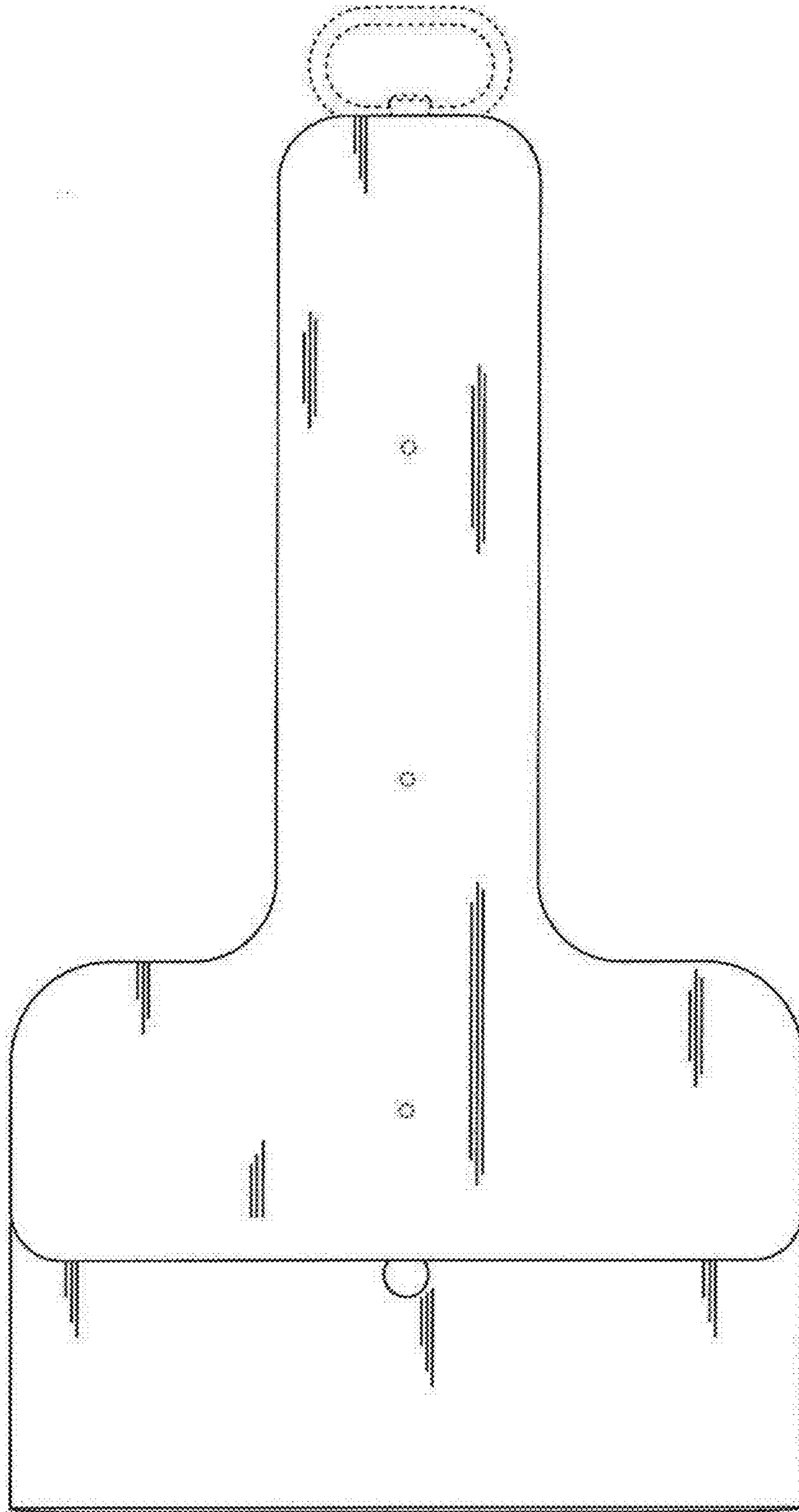


FIG. 5

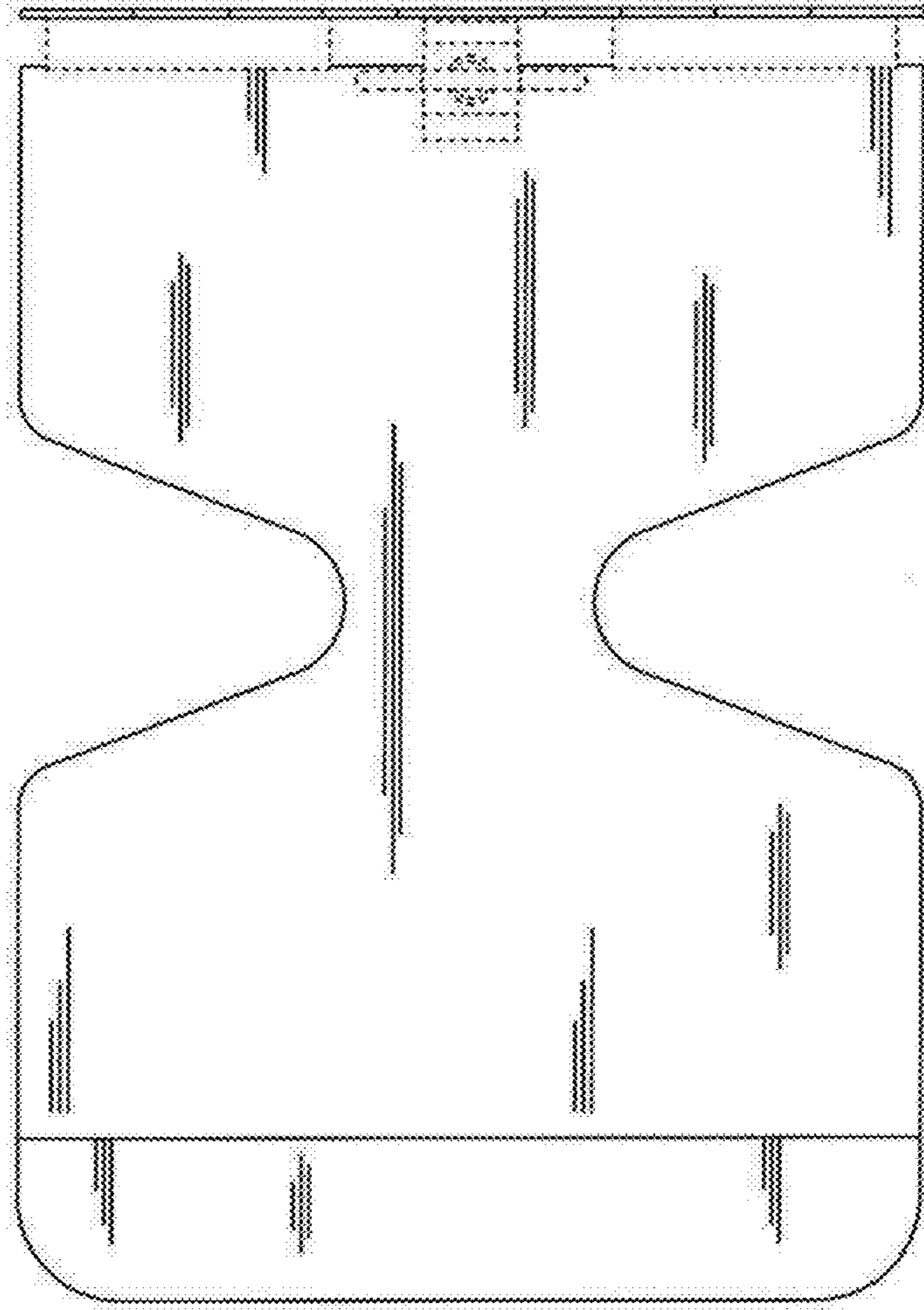


FIG. 6

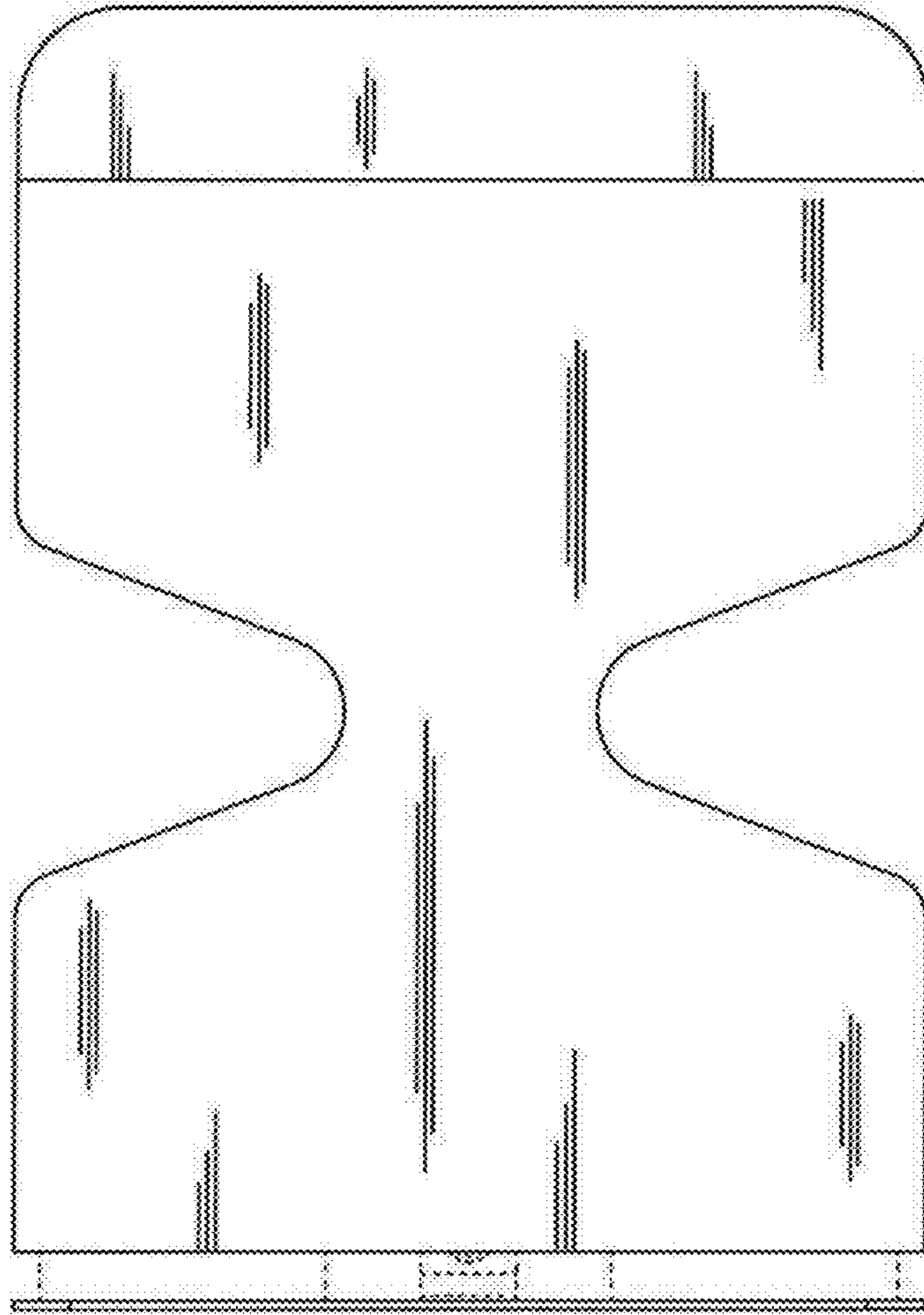


FIG. 7



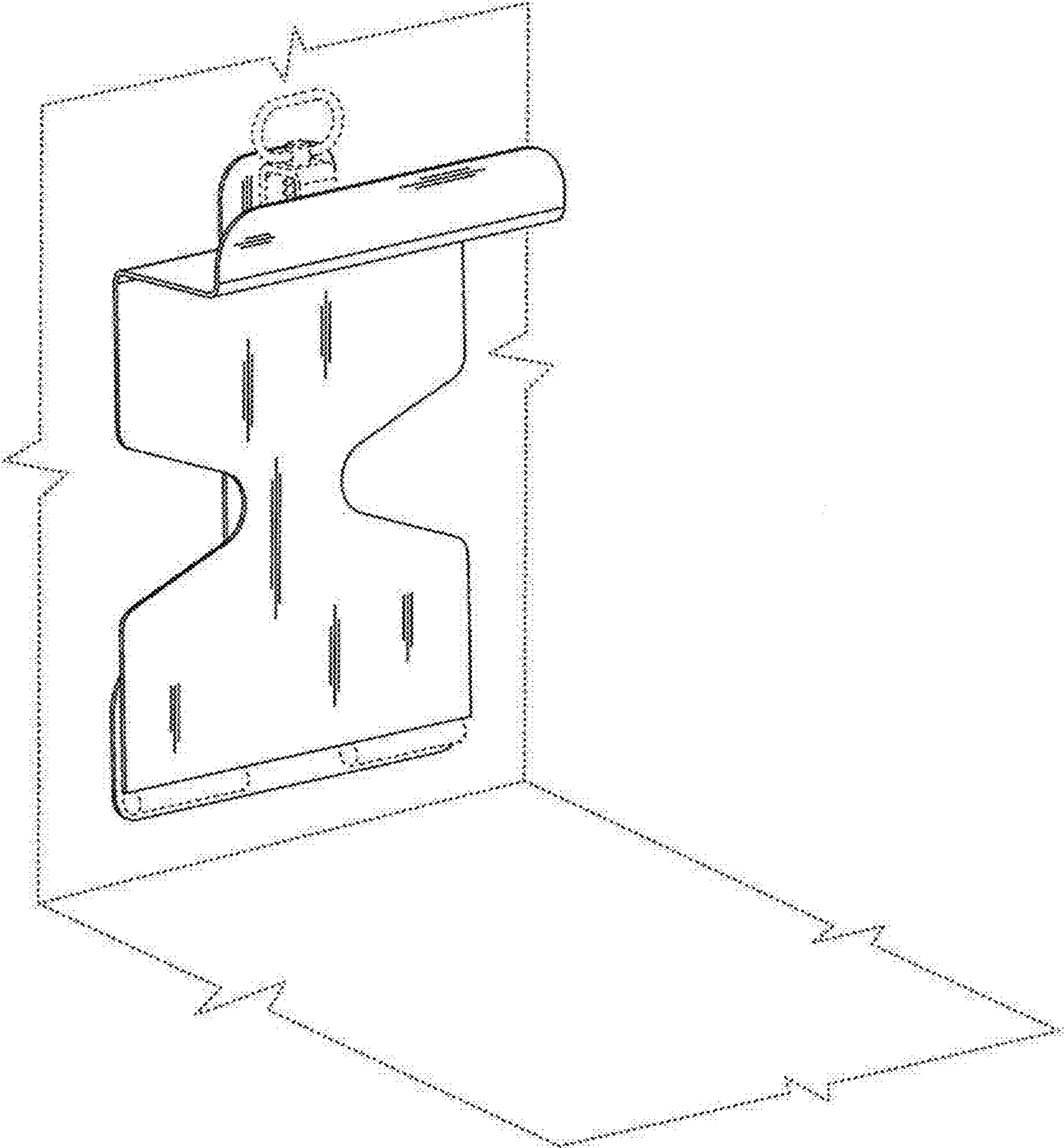


FIG. 8

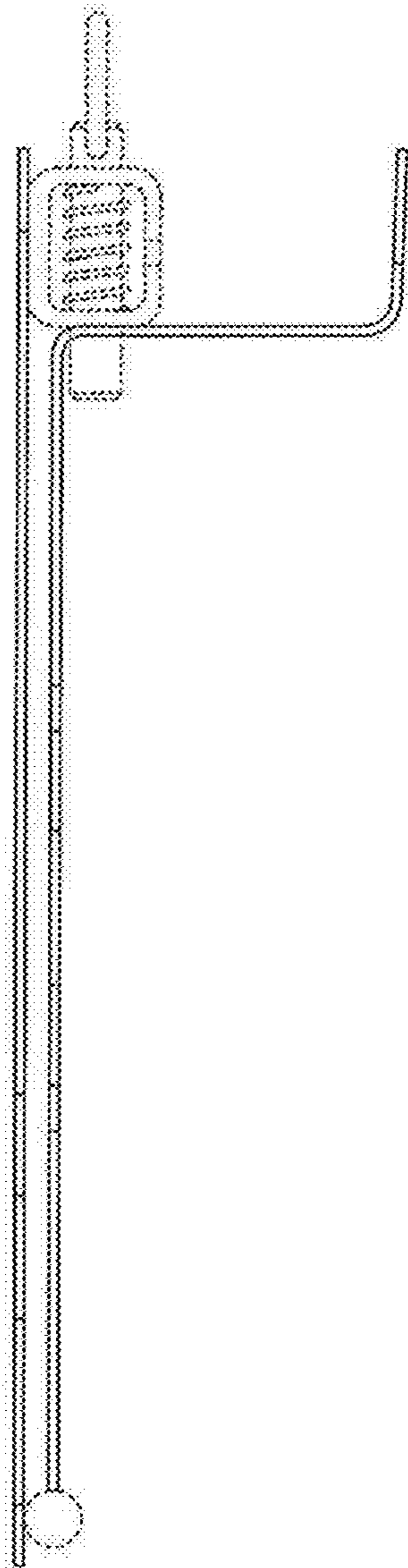


FIG. 9

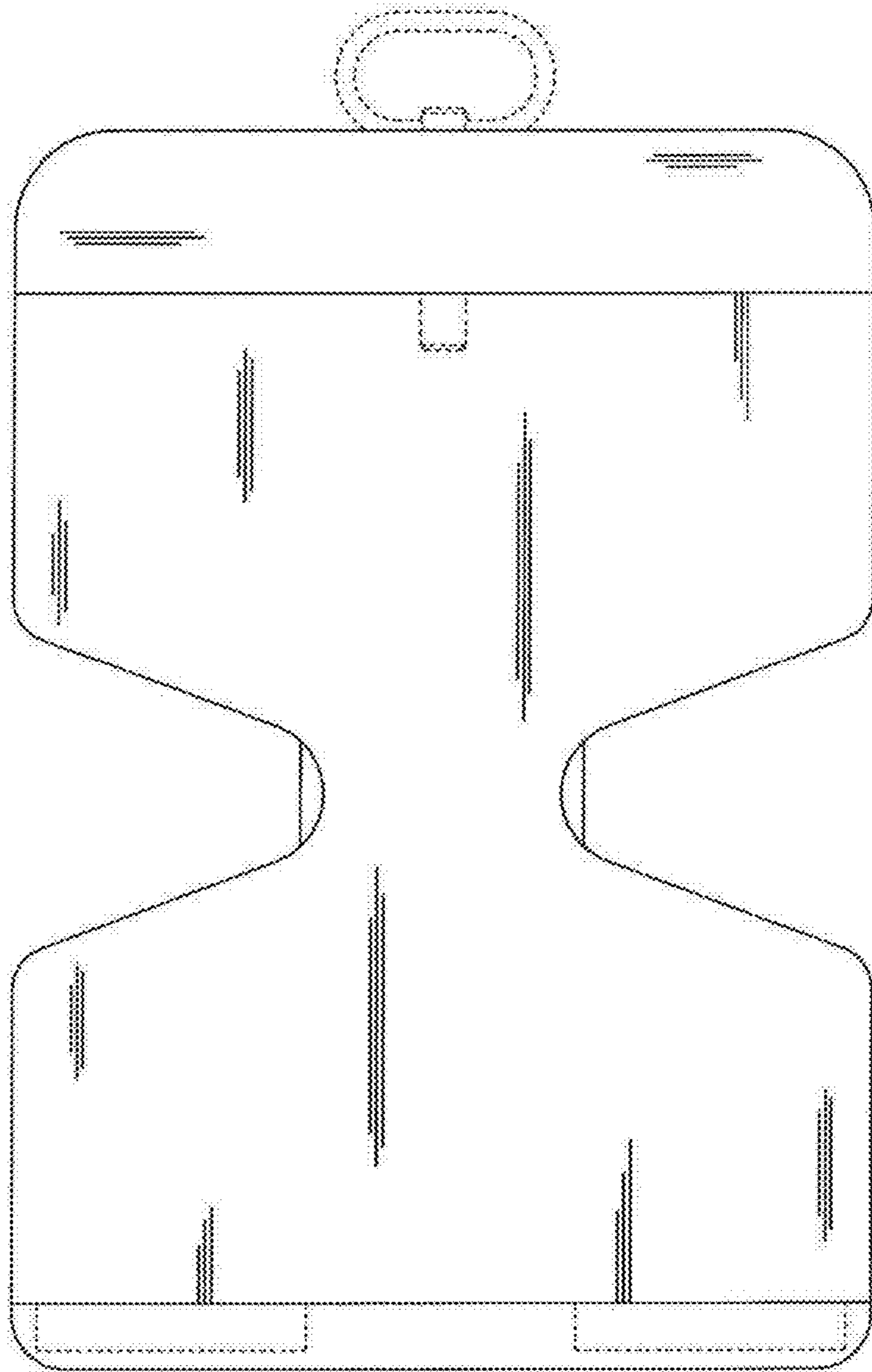


FIG. 10