



US00D810390S

(12) **United States Design Patent** (10) **Patent No.:** **US D810,390 S**
Lapeyrouse, Jr. (45) **Date of Patent:** **** Feb. 20, 2018**

(54) **CONFECTIONARY PRODUCT DISPENSER**

(71) Applicant: **Paul Joseph Lapeyrouse, Jr.**, Marrero, LA (US)

(72) Inventor: **Paul Joseph Lapeyrouse, Jr.**, Marrero, LA (US)

(**) Term: **15 Years**

(21) Appl. No.: **35/001,175**

(22) Filed: **Mar. 23, 2016**

(80) **Hague Agreement Data**

Int. Filing Date: **Mar. 23, 2016**
Int. Reg. No.: **DM/092701**
Int. Reg. Date: **Mar. 23, 2016**
Int. Reg. Pub. Date: **Oct. 7, 2016**

(51) **LOC (11) Cl.** **07-04**

(52) **U.S. Cl.**
USPC **D1/102**
CPC **B65D 85/72 (2013.01)**

(58) **Field of Classification Search**
USPC D1/101-105; D9/643-647, 655, 530, D9/544, 549, 499
CPC B65D 85/72-85/80; B65D 85/804
See application file for complete search history.

(56) **References Cited**

U.S. PATENT DOCUMENTS

3,326,358	A	6/1967	Singleton	
D284,838	S *	7/1986	Cillario D9/418
4,938,975	A	7/1990	Waller	
5,209,565	A	5/1993	Goncalves	
5,324,527	A	6/1994	Coleman	
5,370,884	A	12/1994	Coleman	
D359,607	S	6/1995	Yun	
D403,579	S	1/1999	Gallart et al.	
5,993,870	A	11/1999	Hoeting et al.	
D437,219	S	2/2001	Gallart et al.	
6,187,350	B1	2/2001	Gallart et al.	

6,187,352	B1	2/2001	Crosbie	
6,190,226	B1	2/2001	Concoi	
6,221,407	B1	4/2001	Gallart et al.	
6,289,906	B1	9/2001	Vanden Drives et al.	
D450,591	S	11/2001	Gallart et al.	
D451,259	S	12/2001	Yoon	
6,399,126	B1 *	6/2002	Weldon, Jr.	A23G 3/563 426/132
D468,631	S	1/2003	Hart et al.	
6,660,316	B2	12/2003	Hart et al.	
D490,961	S *	6/2004	Hart D1/102
D684,478	S *	6/2013	Castillo D9/527
2002/0142073	A1	10/2002	Baker	
2012/0292349	A1	11/2012	Zarou	

FOREIGN PATENT DOCUMENTS

GB 2297306 A 1/1995

* cited by examiner

Primary Examiner — Richard E Chilcot
(74) *Attorney, Agent, or Firm* — Cahn & Samuels, LLP

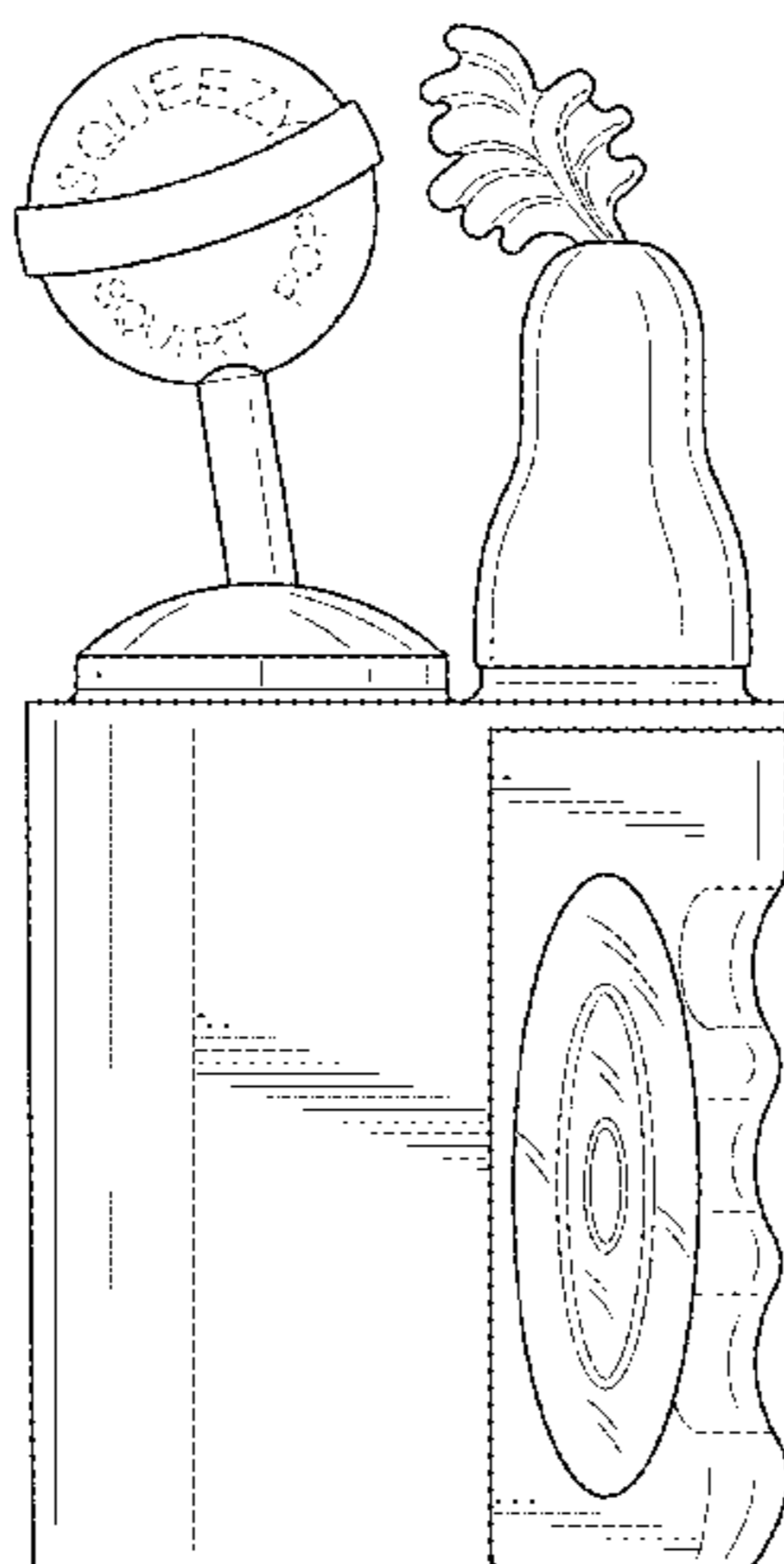
(57) **CLAIM**

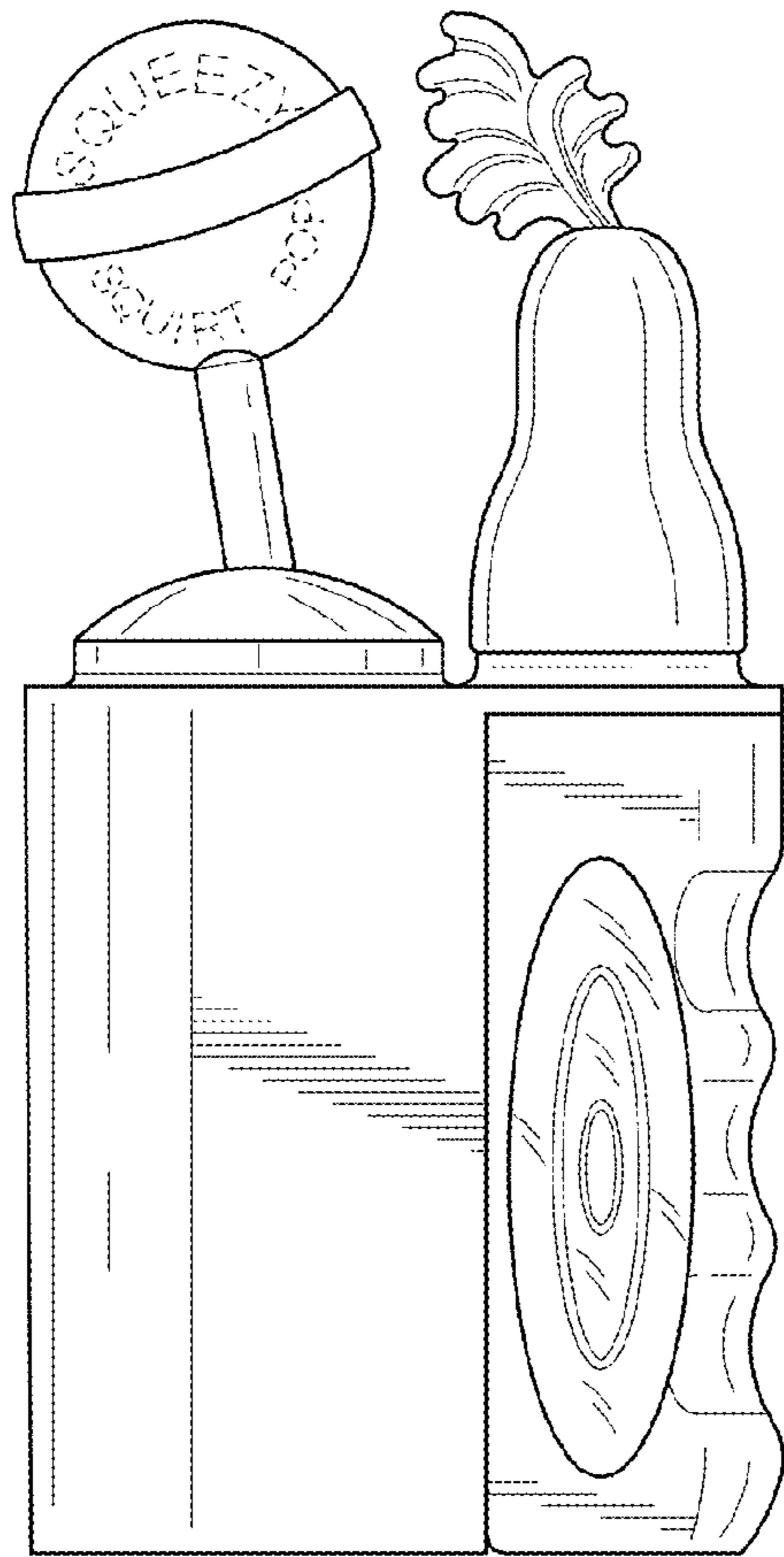
The ornamental design for a confectionary product dispenser, as shown and described.

DESCRIPTION

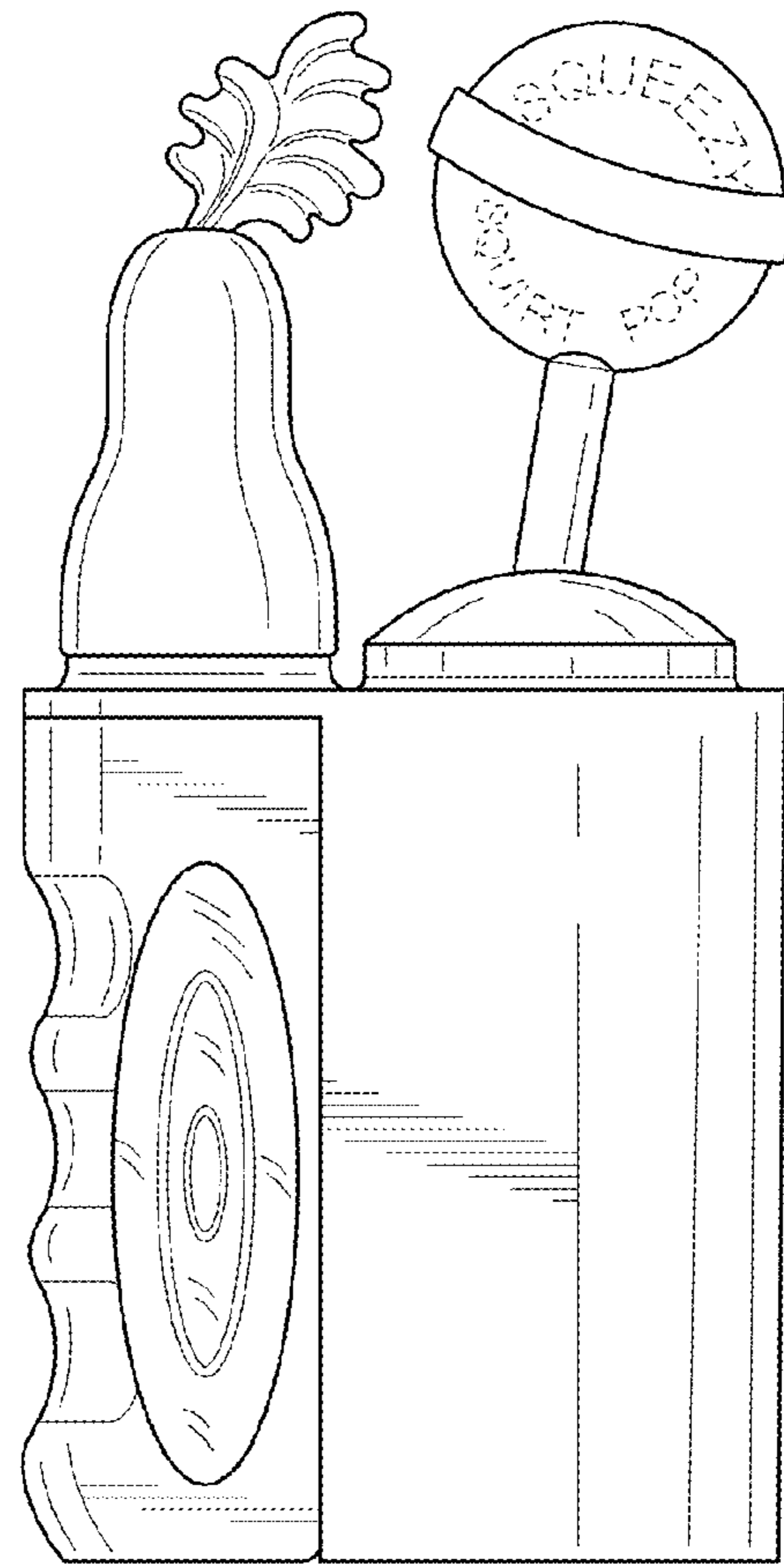
4. Confectionary product dispensers
Figure 4.1 is a front view of an embodiment of a new confectionary product dispenser design.
Figure 4.2 is a rear view of the new confectionary product dispenser design according to that depicted in Figure 4.1.
Figure 4.3 is a front perspective view of the new confectionary product dispenser design according to that depicted in Figure 4.1.
Figure 4.4 is a top view of the new confectionary product dispenser design according to that depicted in Figure 4.1.
Figure 4.5 is a bottom view of the new confectionary product dispenser design according to that depicted in Figure 4.1.

1 Claim, 3 Drawing Sheets

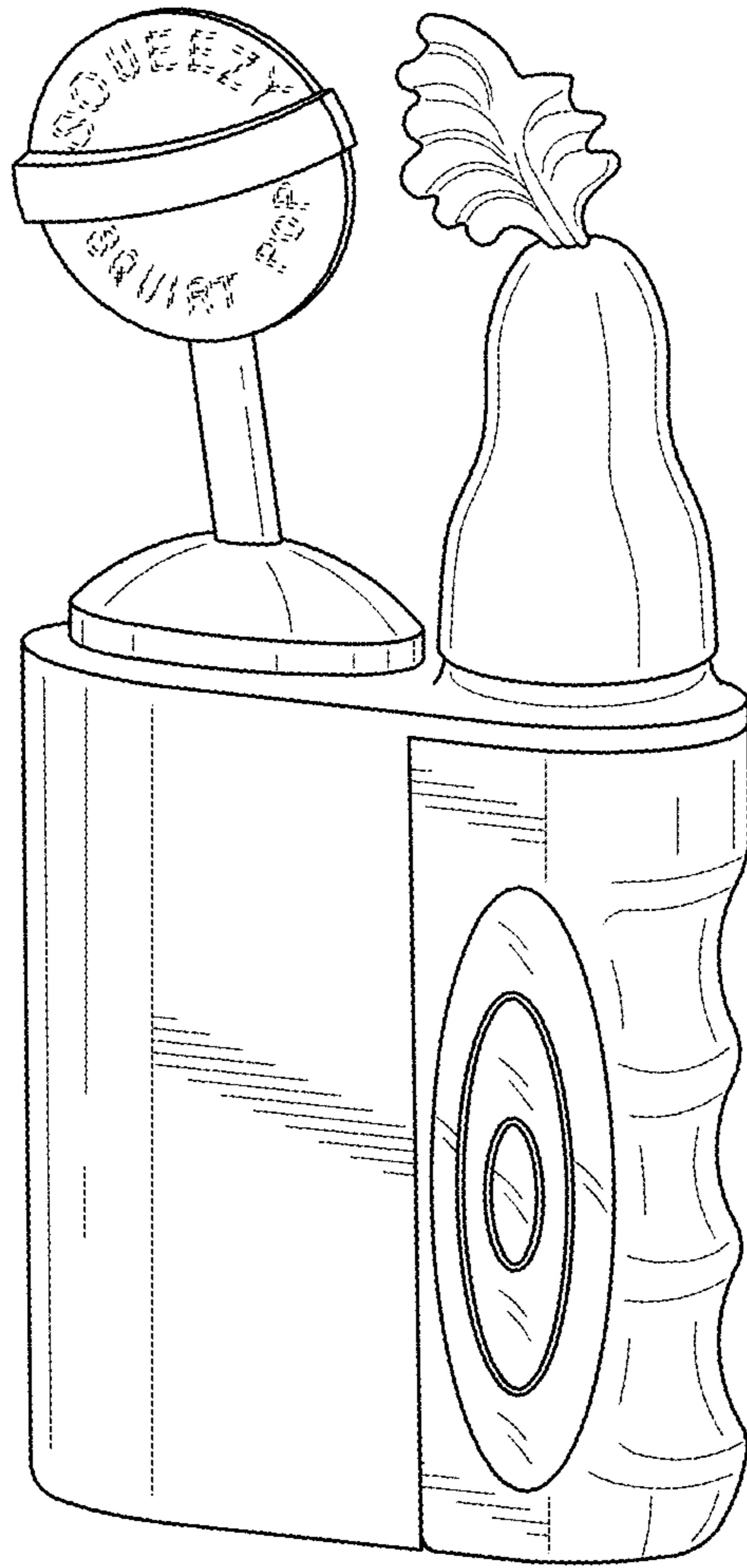




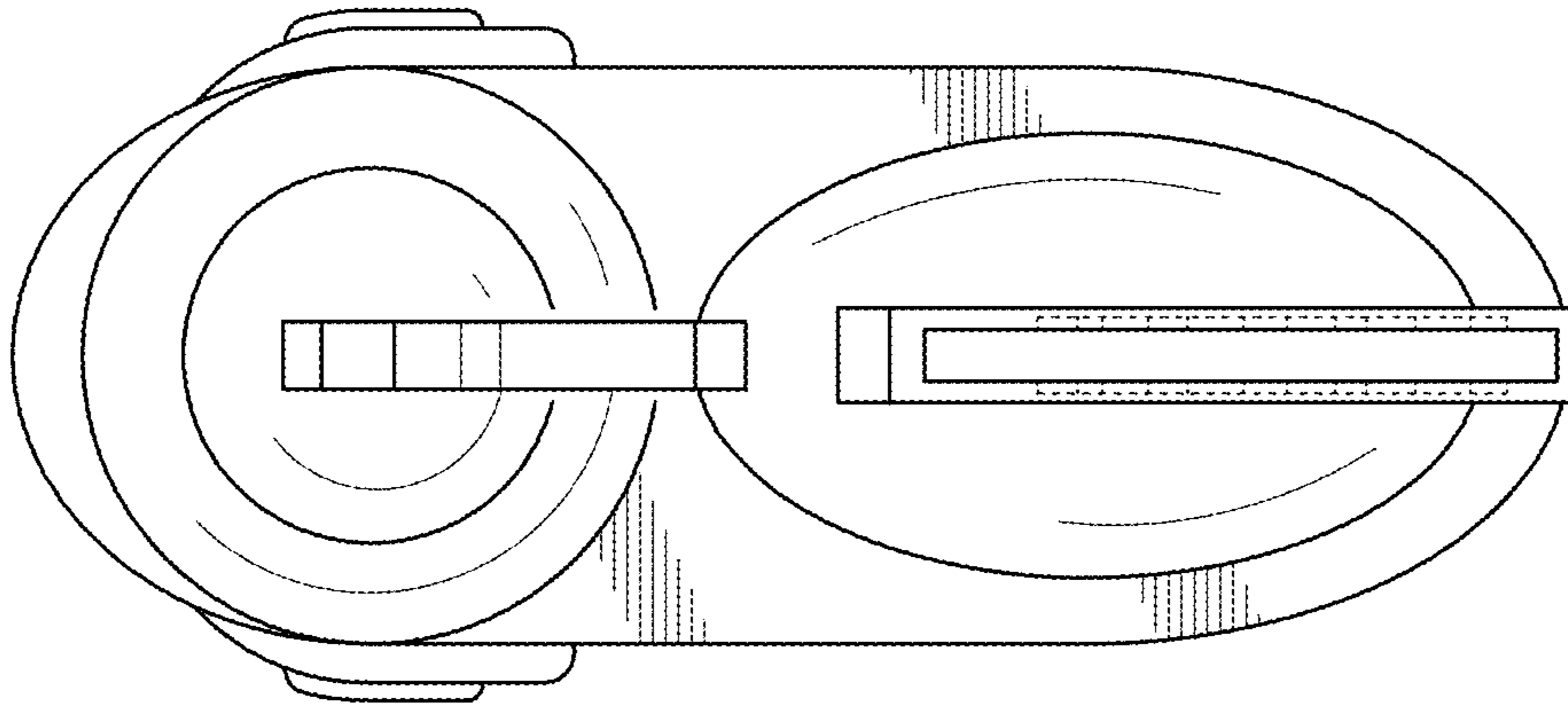
4.1



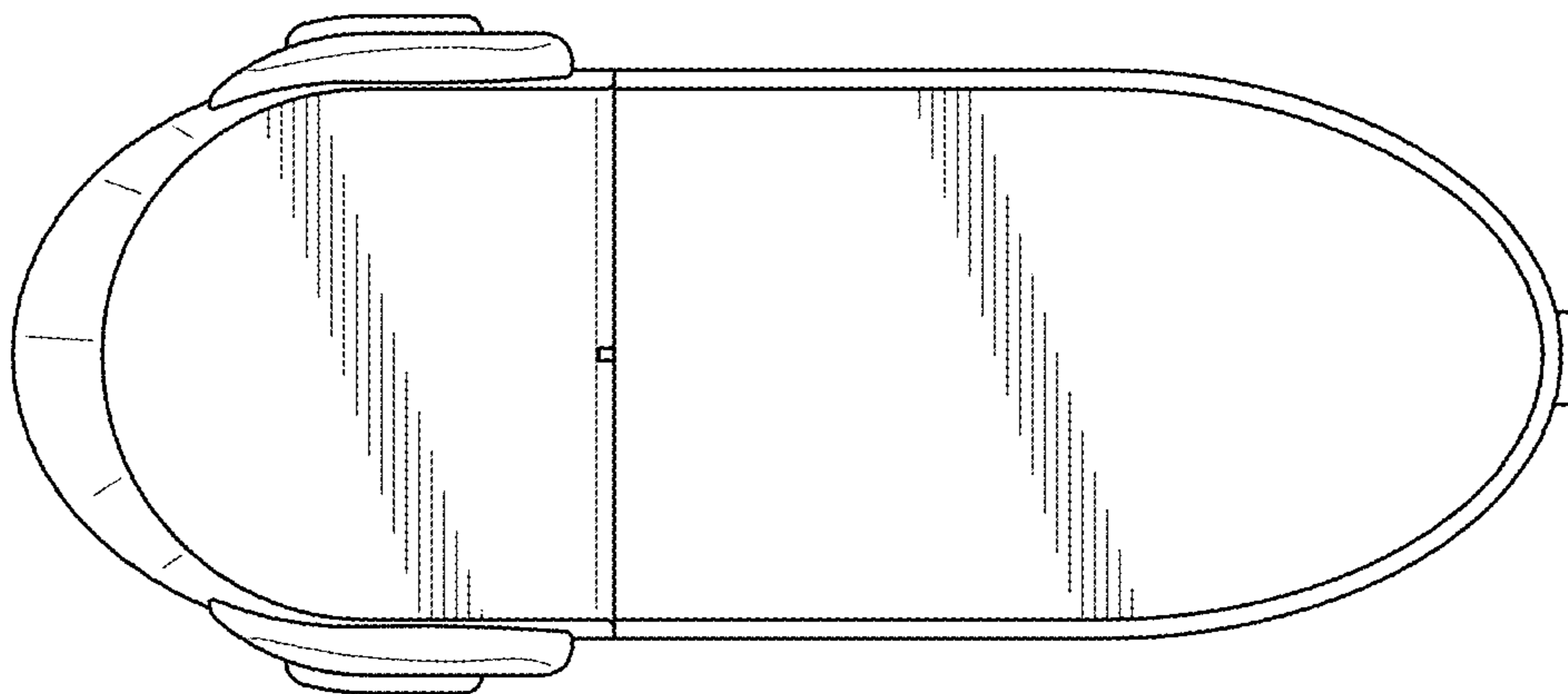
4.2



4.3



4.4



4.5