



US00D810388S

(12) **United States Design Patent**
Podgurny

(10) **Patent No.:** **US D810,388 S**

(45) **Date of Patent:** **** Feb. 13, 2018**

(54) **CROSS-SHAPED SAFETY SWITCH**

D764,004 S * 8/2016 Bender D22/108
D766,126 S * 9/2016 Walker D11/96
D773,591 S * 12/2016 Morenz D22/108

(71) Applicant: **F-1 RESEARCH, LLC—PATENTS SERIES**, Spring, TX (US)

(Continued)

(72) Inventor: **Dion Podgurny**, Spring, TX (US)

FOREIGN PATENT DOCUMENTS

(73) Assignee: **F-1 Research, LLC**, Spring, TX (US)

KR 300839284 * 2/2016

(**) Term: **15 Years**

OTHER PUBLICATIONS

(21) Appl. No.: **29/588,844**

Crusader Cross Graphic Kit—Rubber Texture, griptek gun grip website 2017, [site visited Sep. 2, 2017 7:37:28 PM], https://www.griptekgunrips.com/products/crusader-cross-graphic-kit-rubber-texture-2-25w-x-3-3h-for-ar15-mag.*

(22) Filed: **Dec. 23, 2016**

(Continued)

(51) **LOC (11) Cl.** **11-02**

(52) **U.S. Cl.**
USPC **D99/27**; D22/108

Primary Examiner — John Windmuller

Assistant Examiner — John R Yeh

(58) **Field of Classification Search**
USPC D99/5, 8, 23, 25–27; D11/7, 44, 30, 96;
D22/101–105, 108

(74) *Attorney, Agent, or Firm* — Phillip Black; James P. Dossey

CPC A61G 17/08; A61G 17/00; E04H 13/00;
F41A 17/30; F41A 17/46; F41A 17/00

(57) **CLAIM**

The ornamental design for a cross-shaped safety switch, as shown and described.

See application file for complete search history.

DESCRIPTION

(56) **References Cited**

U.S. PATENT DOCUMENTS

- 1,391,945 A * 9/1921 Flagge A47G 33/02
362/121
- D114,015 S * 3/1939 Farrington D99/27
- D126,597 S * 4/1941 Brennan D99/27
- D196,923 S * 11/1963 Josephson D11/144
- D216,371 S * 12/1969 Winchell D11/81
- D225,537 S * 12/1972 Bowers D11/81
- D253,041 S * 10/1979 Ellard D10/15
- D335,911 S * 5/1993 Militello D22/104
- D413,845 S * 9/1999 Huang D12/190
- D418,173 S * 12/1999 Sholin D21/478
- D504,168 S * 4/2005 McCormick D22/108
- D659,790 S * 5/2012 Geissele D22/108
- D666,120 S * 8/2012 Austin D11/120
- D740,907 S * 10/2015 Oglesby D22/108
- D755,339 S * 5/2016 Geissele D22/108

FIG. 1 is an isometric front, left side view showing my design for a cross-shaped safety switch;

FIG. 2 is a front view thereof;

FIG. 3 is a top view thereof;

FIG. 4 is a left side view thereof;

FIG. 5 is a rear view thereof;

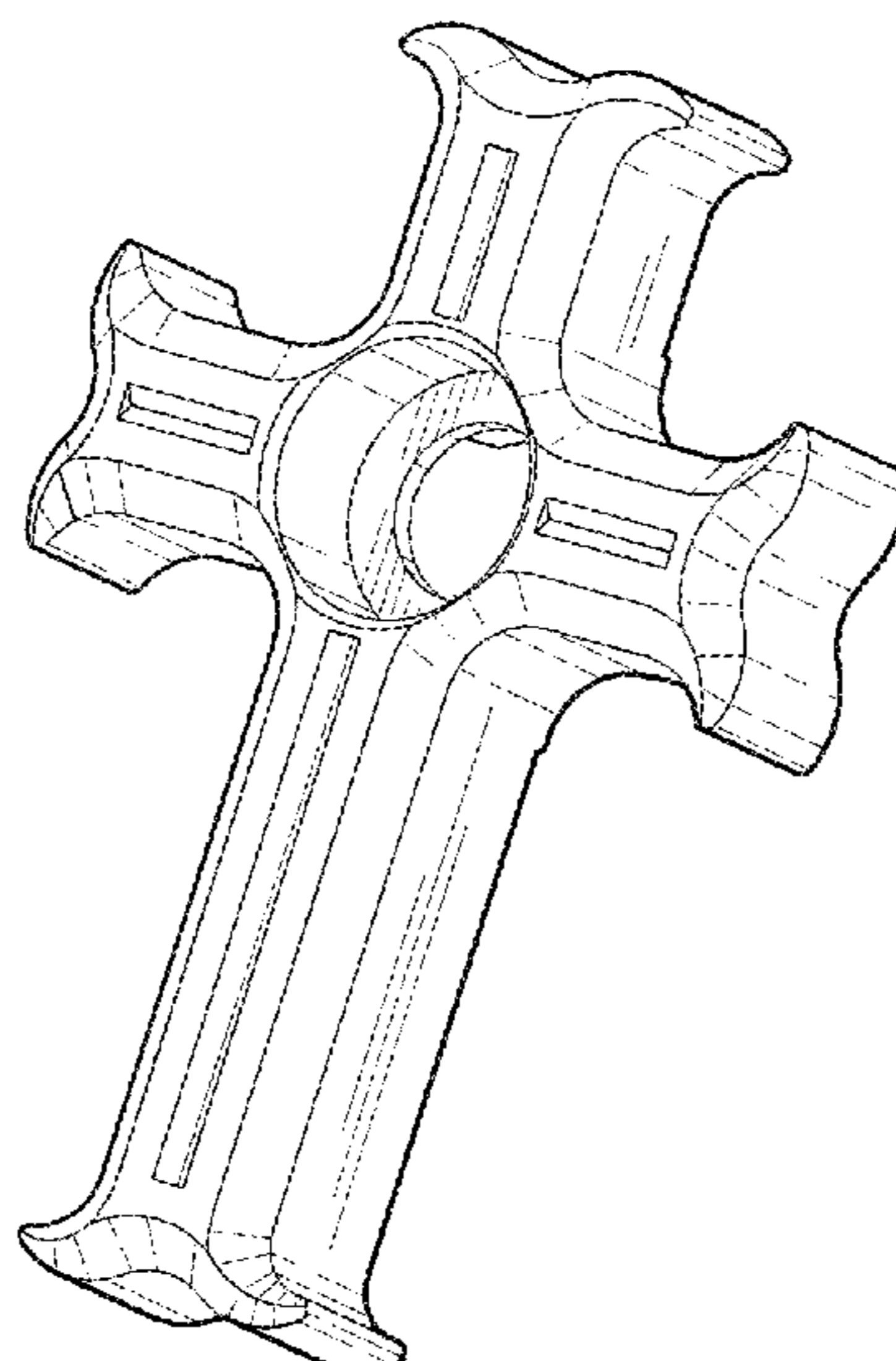
FIG. 6 is an isometric rear, right side view thereof; and,

FIG. 7 is a front view as installed on a lower receiver component of a typical rifle.

The broken away lines in FIG. 7 depict environmental subject matter and form no part of the claimed design.

The broken lines in the drawings represent environment of the cross-shaped safety switch and form no part of the claimed design.

1 Claim, 2 Drawing Sheets



(56)

References Cited

U.S. PATENT DOCUMENTS

2003/0115728 A1* 6/2003 Robert A61G 17/00
27/1
2014/0068989 A1* 3/2014 Bender F41A 19/10
42/69.01
2016/0187089 A1* 6/2016 Wengender F41A 17/02
42/70.04
2016/0187090 A1* 6/2016 Mather F41A 17/46
42/70.06
2017/0239122 A1* 8/2017 McLaughlin A61G 17/08

OTHER PUBLICATIONS

F-1 Firearms Safety Selector Kits, website 2017, <http://f-1firearms.com/f-1-firearms-safety-selector-kits/>, [site visited Sep. 2, 2017 7:57:21 PM].*

U.S. gun maker creates 'Crusader' rifle that ISIS 'can't touch', website 2017, <http://www.haaretz.com/world-news/1.674630>, [site visited Sep. 2, 2017 7:41:29 PM].*

* cited by examiner

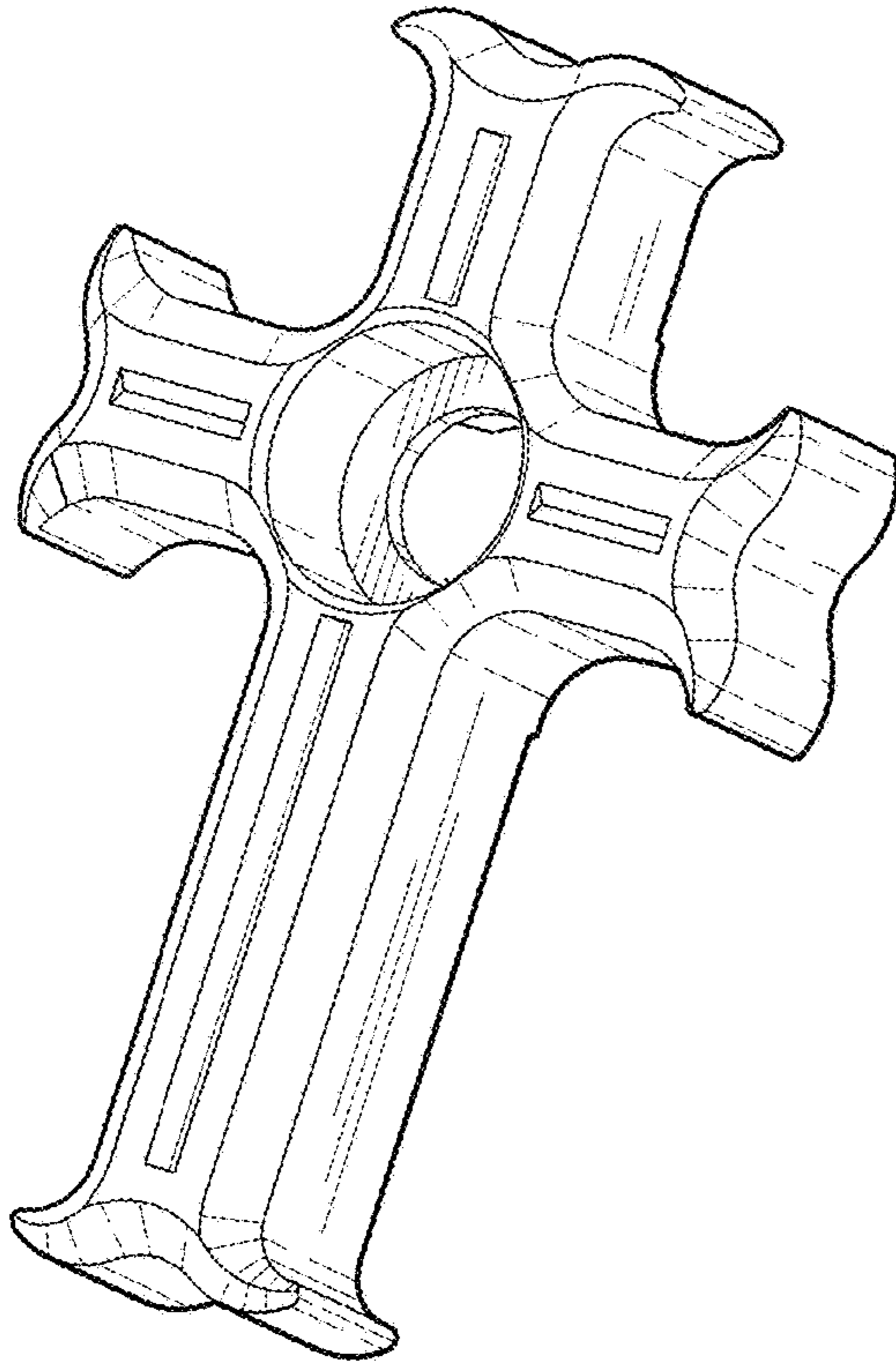


FIG. 1

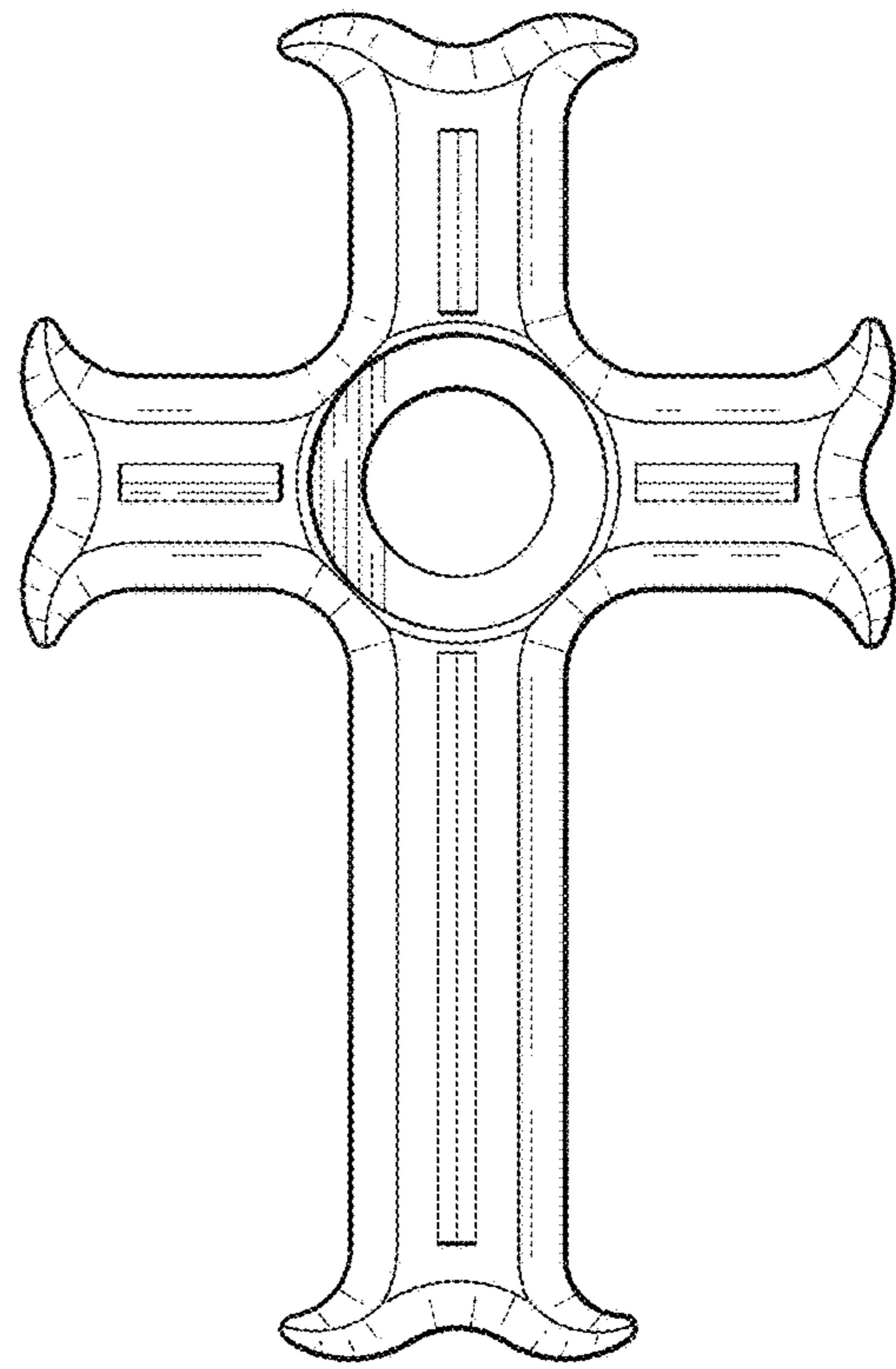


FIG. 2

FIG. 3

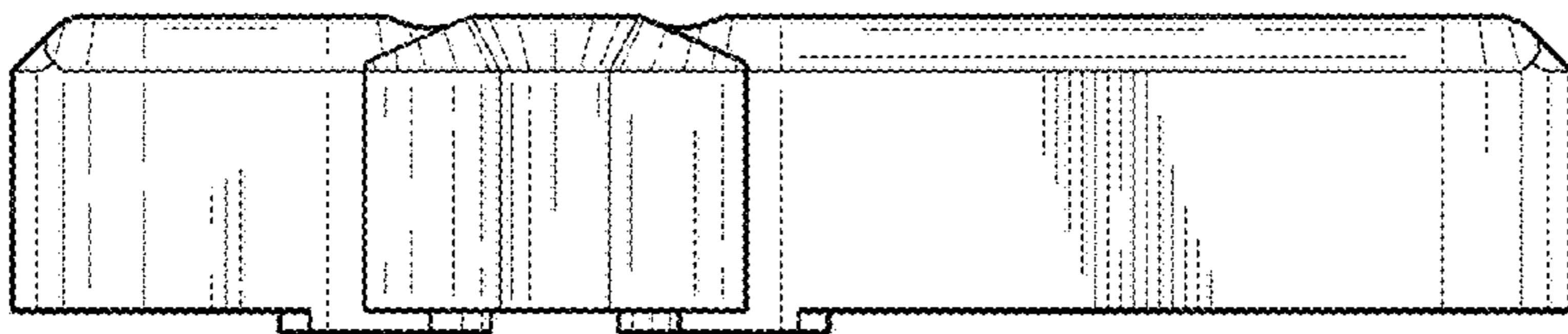
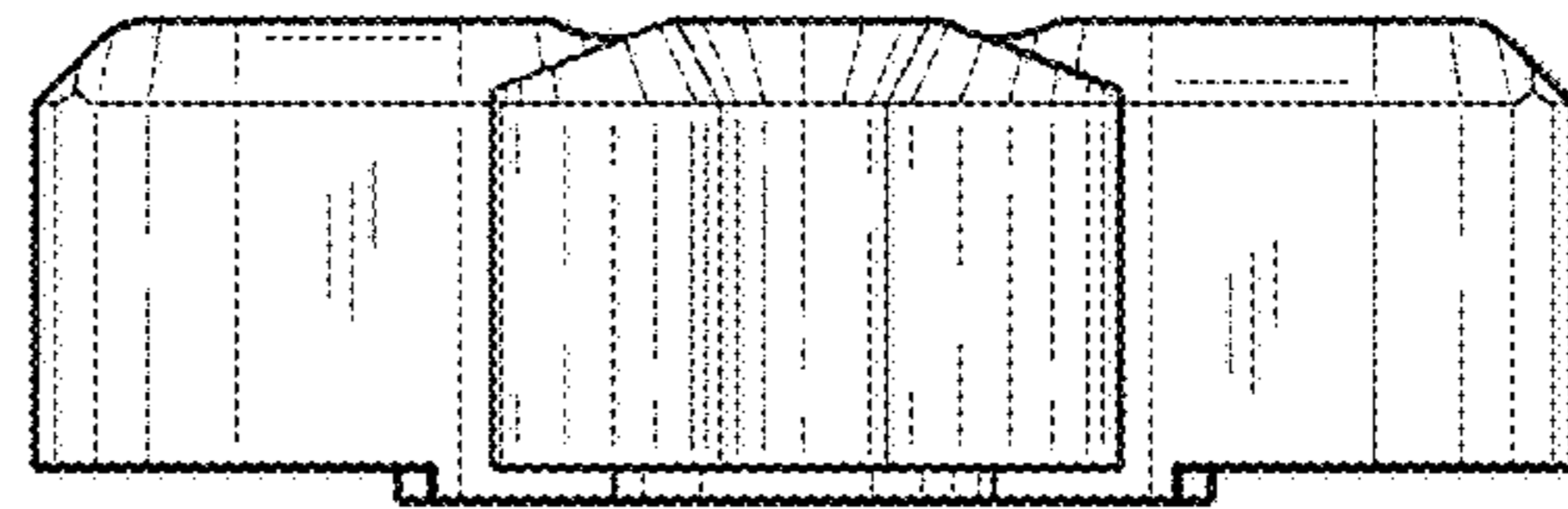


FIG. 4

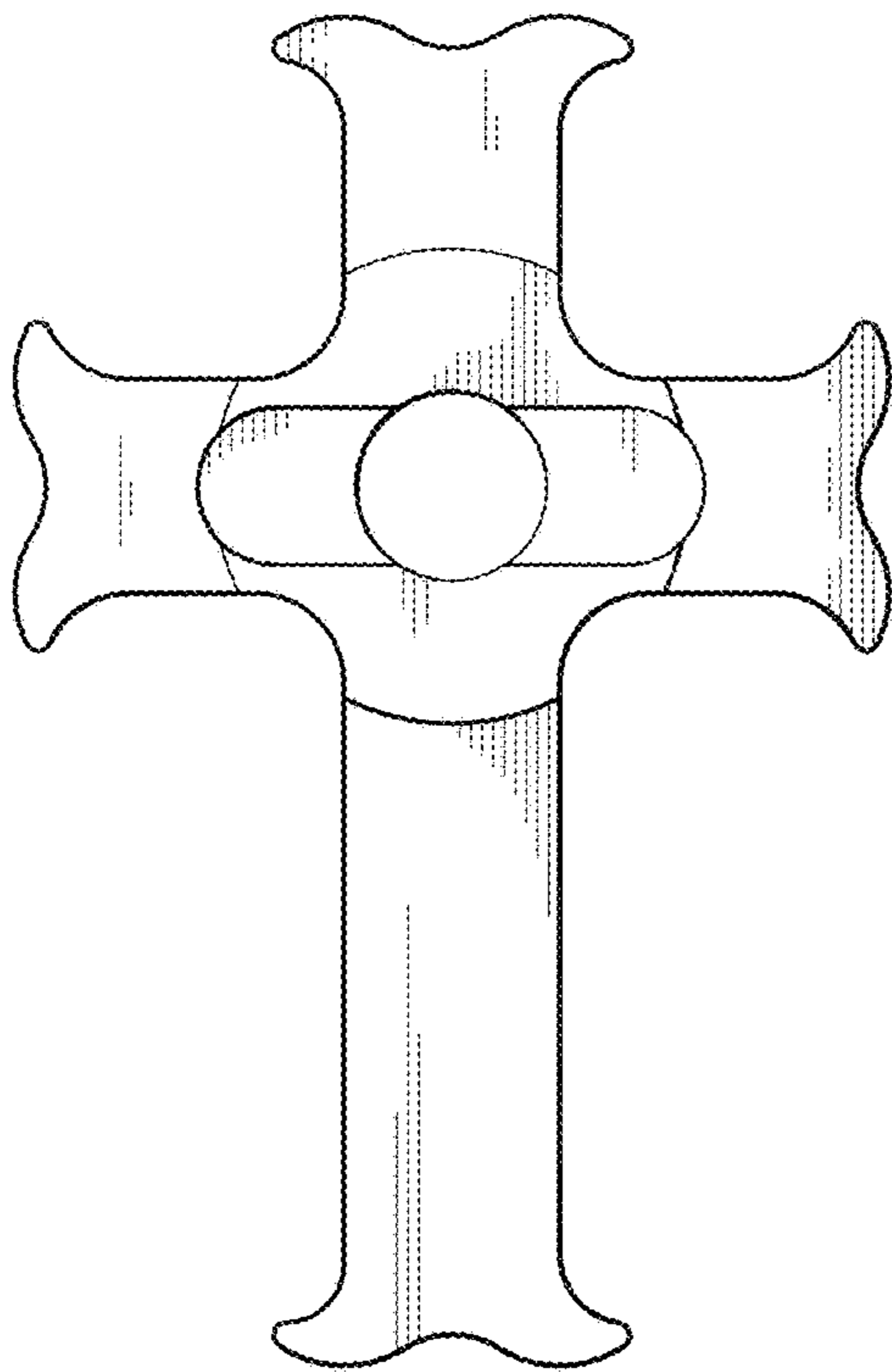


FIG. 5

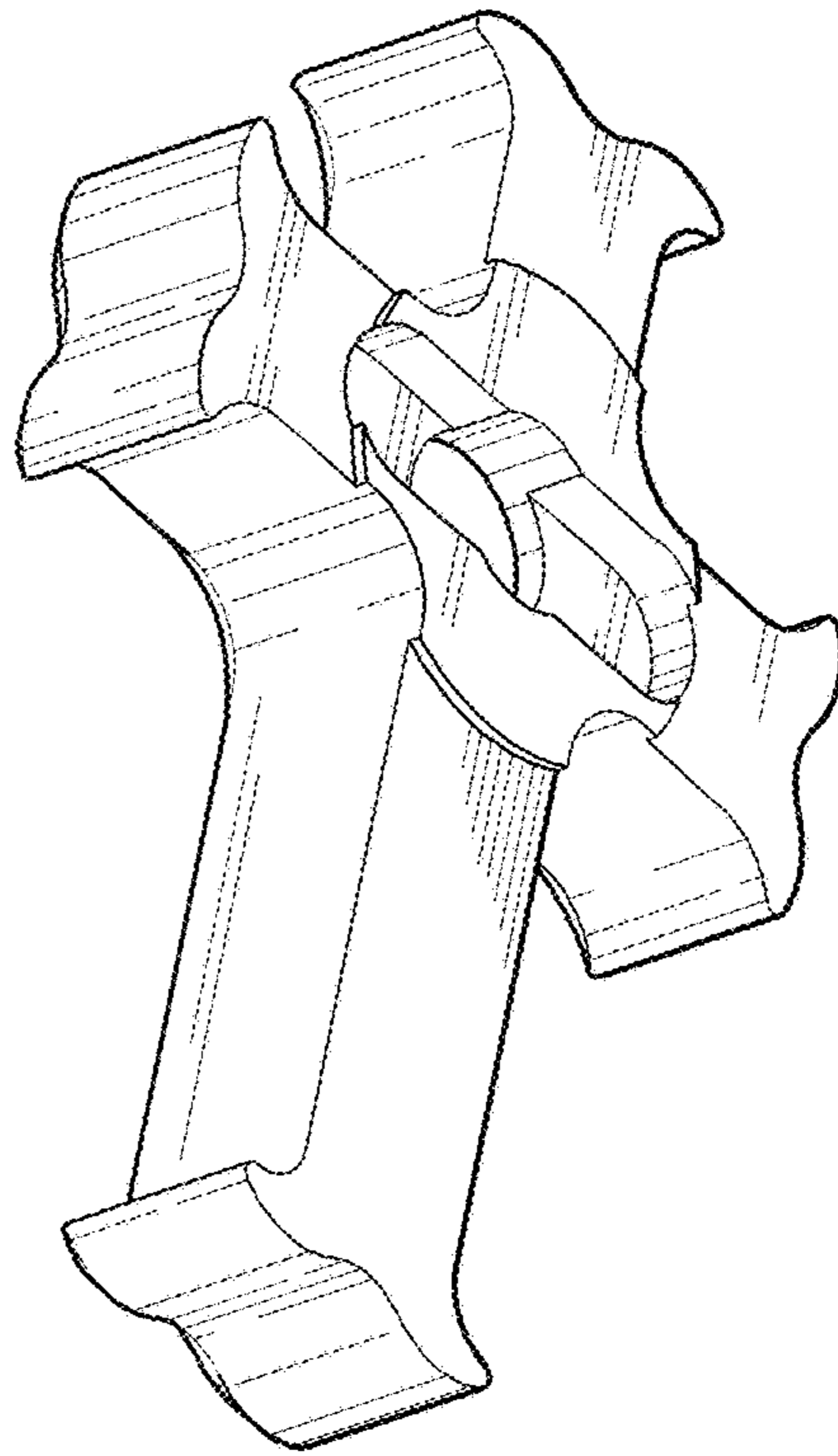


FIG. 6

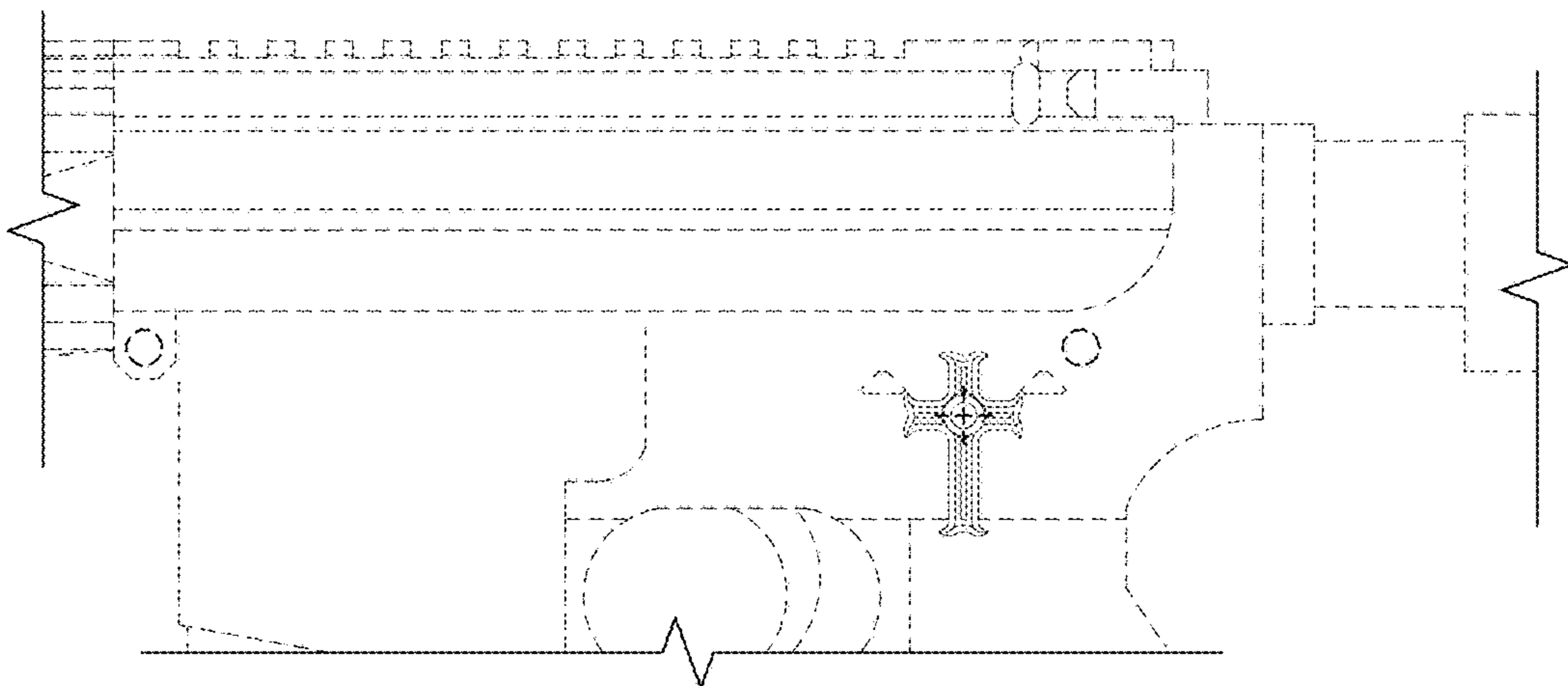


FIG. 7